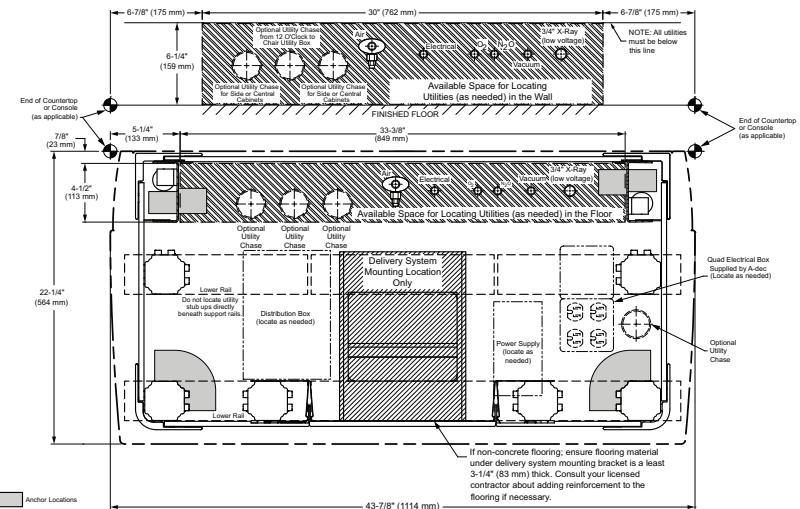
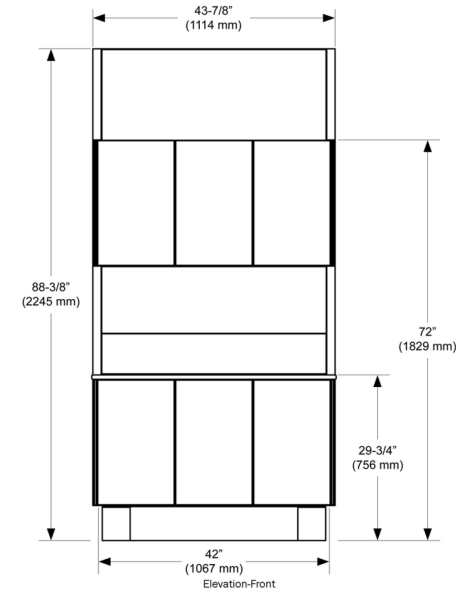


# A-dec Inspire® Dental Furniture

Models 391, 393, 395, 591, 592, 593, 594, 595

## Contents

- Things to Note** . . . . . 3
- Estimated Shipping Weights** . . . . . 5
- Utility Specifications** . . . . . 7
- Electrical Specifications** . . . . . 10
  - Electrical Rough-In . . . . . 10
  - Electrical Connection to Mains . . . . . 11
  - Operating Current for Ancillary Devices/  
Operatory . . . . . 12
  - Operating Current for Ancillary Devices/  
594 Sterilization Center . . . . . 12
  - Additional Electrical Requirements  
for the 594 . . . . . 12
  - Wiring Diagrams . . . . . 13
- Structural and Other Construction Requirements** . . . . . 16
  - Floor Anchoring - Concrete Floors . . . . . 16
  - Floor Anchoring - Non-Concrete Floors . . . . . 16
  - Framing/Wall Mounting . . . . . 20
- Plan Views** . . . . . 25
  - Full-Size Templates Reference . . . . . 25
  - Mini-Templates . . . . . 27
- General Dimensions** . . . . . 55
  - 391 Consoles . . . . . 55
  - 393 Consoles . . . . . 56
  - 395 Wall-Mounted Cabinets . . . . . 58
  - 591 Treatment Console . . . . . 60
  - 592 Central Console . . . . . 64
  - 593 Side Console . . . . . 73
  - 595 Storage/Dispensing . . . . . 105
  - 594 Sterilization Center . . . . . 109



## Copyright

© 2024 A-dec, Inc. All rights reserved.

A-dec, Inc. makes no warranty of any kind with regard to this material, including, but not limited to, the implied warranties of merchantability and fitness for a particular purpose. A-dec, Inc. shall not be held liable for any errors contained herein or any consequential or other damages concerning the furnishing, performance or use of this material. The information in this document is subject to change without notice. If you find any problems in the documentation, please report them to us in writing. A-dec, Inc. does not warrant that this document is error-free.

No part of this document may be copied, reproduced, altered, or transmitted in any form or by any means, electronic or mechanical, including photocopying, recording, or by any information storage and retrieval system, without prior written permission from A-dec, Inc.

## Intellectual Property Rights

None of the trademarks, trade names, or proprietary symbols and icons in this document may be reproduced, copied, or manipulated in any manner without the express, written approval of the trademark owner.

A-dec, A-dec+, the A-dec design logo, and the trademarks listed at [www.a-dec.com/legal/trademarks](http://www.a-dec.com/legal/trademarks) are A-dec trademarks or registered trademarks in the U.S. and other countries. Certain touch control symbols and icons are proprietary to A-dec, Inc.

## Regulatory Information and Warranty

For required regulatory information and the A-dec warranty, see the *Regulatory Information, Specifications, and Warranty* document (p/n 86.0221.00) available in the Resource Center at [www.a-dec.com](http://www.a-dec.com).



For quick access to this document online, scan, tap, or click this QR code, which points to [a-dec.com/regulatory-guide](http://a-dec.com/regulatory-guide).

## Product Support

For product questions and support, contact the authorized A-dec dealer that will be installing the equipment, or call A-dec at 1.800.547.1883 (USA/Canada) or 1.503.538.7478 (worldwide).

## Product Models and Versions Covered in This Document

| Model                                 | Versions | Description      |
|---------------------------------------|----------|------------------|
| 391/393/395<br>591/592/593<br>594/595 | A        | Dental Furniture |

# Things to Note

As you use this document to guide you through the technical specifications, note the following:

- The minimum requirements for attachment and for wall construction have been determined by an independent structural engineering company. Documented detail is available from A-dec Customer Service.
- Estimated shipping weights, hanging weights, and mounting specifications in this document are for standard A-dec Inspire products. Modifications or customizations may affect these specifications.
- Local regulations provide that licensed plumbers and electricians shall install utilities.
- All utilities must conform to the National Fire Protection Association (NFPA), local fire codes, and local regulations, as applicable.
- Utilities must be plumbed through the wall or base of the cabinet.
- There are several areas in the console base where the utilities can be plumbed.
- The drawings provided in this guide are for reference only. They are *not* drawn to scale.



**CAUTION** Consult a licensed professional, e.g., a structural or architectural engineer, for mounting to metal studs or masonry walls.

---

## Mini-Templates and Utility/Back Panel Cutouts

These illustrations include the following target symbol:



Indicates datum points for standard and optional stubs.

## Document Information

### Intended Audience and Use of This Document

This guide is for contractors, plumbers, electricians, carpenters, designers, architects, and others who are involved in designing and remodeling dental treatment rooms that accommodate A-dec Inspire products.

### Disclaimer

This written material is not intended to be, and should not be, used as a substitute for compliance with local, state, federal code, and Americans with Disabilities Act. It is the responsibility of the user to integrate the A-dec equipment specifications presented herein with the regulations and codes overseen by local planning and inspection authorities.

### Other Sources of Information

In addition to this document, A-dec provides a number of other materials that support the installation of A-dec Inspire Dental Furniture.

#### A-dec 2D CAD Blocks and 3D Models –

A-dec provides 2D CAD blocks (DWG format) and 3D CAD models (DWG and RFA formats) of A-dec products. Authorized A-dec dealer personnel can download these CAD assets on the A-dec Partner Resources website (<https://partnerresources.a-dec.com>) under “Planning Resources.”

#### OrderNet Quote Packet –

When selecting Project for the Visual Content type, the quote packet provides the specific key dimensions and configuration details for the product(s) that will be delivered.

#### Full-Size Templates –

Provide accurate footprints for the A-dec Inspire product line. They are designed to assist you in spotting and positioning A-dec products whether on the construction job site or in a completed treatment room. They provide plumbing and utility locations, mounting clip positions, metal base structure, and critical dimensions. Authorized A-dec dealer personnel can order templates using the form available on the A-dec Partner Resources website (<https://partnerresources.a-dec.com>) under “Planning Resources.”

## Installation Guides –

Provide instructions on how to install A-dec Inspire dental furniture.

A-dec installation guides are available in the Resource Center at

[www.a-dec.com](http://www.a-dec.com)

## Pre-Installation Notes and Cautions



**NOTE** Job site construction should be completed before dental equipment installation (including finished floors, ceiling, plumbing, lighting, paint, etc.).

---



**CAUTION** Local regulation requires licensed plumbers and electricians to install utilities. All plumbing and utilities must conform to prevailing local codes. Final electrical and plumbing connections will be required after the equipment is placed.

---



**CAUTION** The manner and method for accessing utilities within the wall is the responsibility of the design team working on the project (dental dealer, architectural services, and contractors). Utilities must be accessible without the use of tools.

---



**NOTE** Use only solid-top, carpeted dollies to move A-dec Inspire dental furniture. For product recommendations, contact A-dec Customer Service.

---



# Estimated Shipping Weights

| Product/Box                      | Est. Shipping Weight (lb) |
|----------------------------------|---------------------------|
| <b>391 Consoles</b>              |                           |
| 42" Treatment Console            | 740                       |
| 42" Hygiene Console              | 630                       |
| 42" Fleet Console                | 630                       |
| <b>393 Console</b>               |                           |
| 42" Treatment Console            | 210                       |
| 42" Hygiene Console              | 230                       |
| 56" Side Console                 | 250                       |
| 56" Storage Console              | 270                       |
| <b>395 Wall-Mounted Cabinets</b> |                           |
| 42" Treatment Cabinet            | 120                       |
| 42" Storage Cabinet              | 112                       |
| <b>591 Treatment Console</b>     |                           |
| 42" Lower Only                   | 420                       |
| 42" Full                         | 740                       |
| 70" Full                         | 1125                      |
| 98" Full                         | 1275                      |
| <b>592 Central Console</b>       |                           |
| 32" T-Wall                       | 516                       |
| 52" Mid                          | 900                       |
| 66" Mid                          | 1100                      |
| 80" Mid                          | 1175                      |
| 100" Full                        | 1606                      |
| 114" Full                        | 1886                      |
| 128" Full                        | 1939                      |

| Product/Box             | Est. Shipping Weight (lb) |
|-------------------------|---------------------------|
| <b>593 Side Console</b> |                           |
| 28" Lower Only          | 249                       |
| 42" Lower Only          | 291                       |
| 56" Lower Only          | 384                       |
| 70" Lower Only          | 494                       |
| 84" Lower Only          | 500                       |
| 56" Full                | 608                       |
| 70" Full                | 740                       |
| 84" Full                | 825                       |

| Product/Box   | Est. Shipping Weight (lb) |
|---|---------------------------|
| <b>595 Wall-Mounted/X-Ray Storage Insert Cabinets</b> |                           |
| 28" Storage Cabinet                                   | 82                        |
| 28" Dispenser Cabinet                                 | 56                        |
| 56" Storage/Dispenser Cabinet                         | 138                       |
| 48" X-Ray Storage Insert                              | 333                       |
| <b>594 Sterilization Center</b>                       |                           |
| <b>Straight</b>                                       |                           |
| 28"   | 350                       |
| 42"   | 600                       |
| 70"   | 950                       |
| 112"  | 1505                      |
| 126"  | 1880                      |
| 140"  | 2198                      |
| 154"  | 2248                      |
| 168"  | 2448                      |
| 182"  | 2573                      |
| 196"  | 3010                      |
| 210"  | 3260                      |
| <b>L-Shape</b>  |                           |
| 98" x 84"   | 1980                      |
| 98" x 98"   | 2205                      |
| 98" x 112"  | 2405                      |
| 112" x 84"  | 2080                      |
| 112" x 98"  | 2305                      |
| 112" x 112"   | 2623                      |
| 126" x 84"  | 2205                      |
| 126" x 98"  | 2430                      |
| 126" x 112"   | 2723                      |
| 140" x 84"  | 2330                      |
| 140" x 98"  | 2655                      |
| 140" x 112"   | 2763                      |

| Product/Box                             | Est. Shipping Weight (lb) |
|---|---------------------------|
| <b>594 Sterilization Center (cont.)</b> |                           |
| <b>U-Shape</b>                          |                           |
| 98" x 98" x 98"                         | 2373                      |
| 98" x 126" x 98"                        | 3353                      |
| 112" x 98" x 112"                       | 2498                      |
| 126" x 98" x 126"                       | 3603                      |
| 126" x 112" x 126"                      | 3778                      |
| <b>Galley</b>                           |                           |
| 70" x 70"                               | 1880                      |
| 84"x 84"                                | 2098                      |
| 98" x 56"                               | 2548                      |
| 98" x 98"                               | 2535                      |
| 112" x 70"                              | 2323                      |
| 112" x 112"                             | 3010                      |
| 126" x 84"                              | 2523                      |
| 140" x 56"                              | 2323                      |

# Utility Specifications

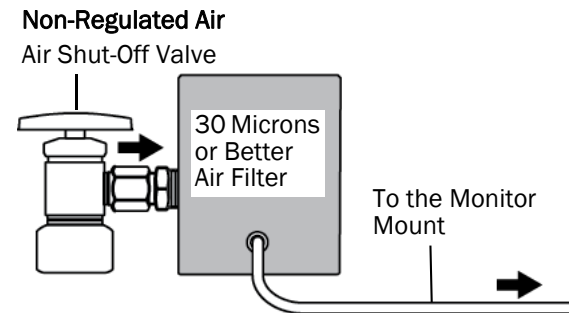
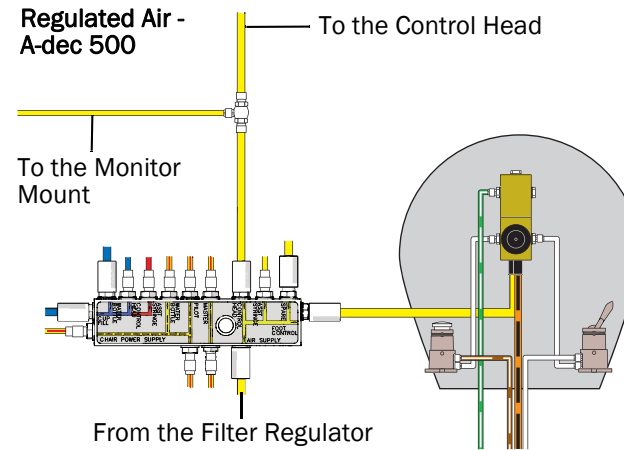
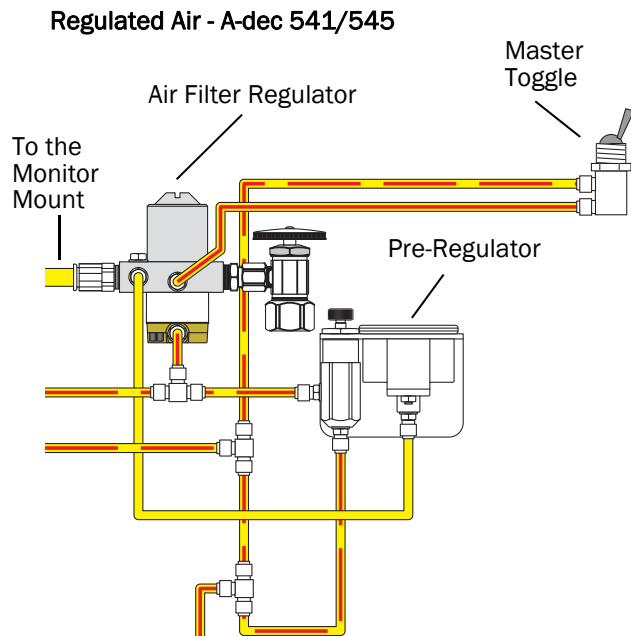
## Specifications Table

| Utility        | Rough-In  | Finish  | Requirements  |
|----------------|---|---|---|
| Air            | Protrude 3" (76 mm)   | 1/2" compression protruding 1" (25.4 mm)      | 80-125 psi (550 to 860 kPa), 2.5 scfm (71 sL/min) minimum, during normal use (7.5 scfm [210 sL/min] peak intermittent flow). Flush lines prior to making connections to dental equipment. |
| Water          | Protrude 3" (76 mm)   | 1/2" compression protruding 1" (25.4 mm)      | 60 ± 20 psi (410 ± 140 kPa), 1.5 gpm (5.7 L/min) minimum, not to exceed 40 °C (104 °F). Flush lines prior to making connections to dental equipment.                                      |
| Central vacuum | Protrude 3" (76 mm)   | 1" PVC Pipe (1.315" OD) protruding 2" (50 mm) | Wet Systems: 10 ± 2 inches of Hg (34 ± 7 kPa) and 9 scfm (255 sL/min) minimum. Dry/Semi-dry Systems 4.5 ± 1 inches of Hg (16 ± 3.5 kPa) and 12 scfm (340 sL/min) minimum.                 |
| Electrical     | 1/2" conduit to protrude 3" (76 mm)<br><br>Low voltage conduit (2" diameter) for select 594s. For more information, see "Electrical Rough-In Operatory Example" on page 10. | Protrude 1" (25.4 mm)                         | Make connection to junction box using 1/2" (13 mm) flexible conduit as needed. Wire box per code.   |
| Gravity drain  | Protrude 3" (76 mm)   | Protrude 1" (25.4 mm)                         | Basket strainer connects to 1-1/4" or 1-1/2" flanged tailpiece.   |

See "Plan Views" on page 25 for information on the locations of utilities.

## Air Filter Requirements for the Telescoping Monitor Mount

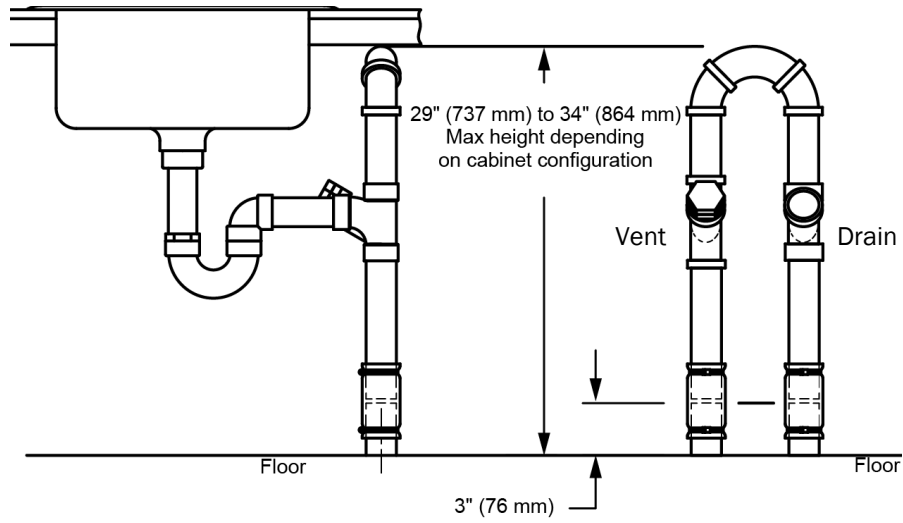
There are three acceptable ways to supply air to the telescoping monitor mount. The air must be filtered with either an A-dec filter regulator or an air filter rated at 30 microns or better. This ensures the air line and the regulator in the telescoping arm are not damaged.



## Loop Vent Diagram

Follow standard local codes for sink venting and loop vent plumbing. Here are examples with the relative location to critical features:

### Undermount Stainless Steel Sink



# Electrical Specifications

## Electrical Rough-In

A contractor should supply the x-ray junction box, wiring, conduit and flex conduit. The conduit must protrude 3" (76 mm) from the finished floor.

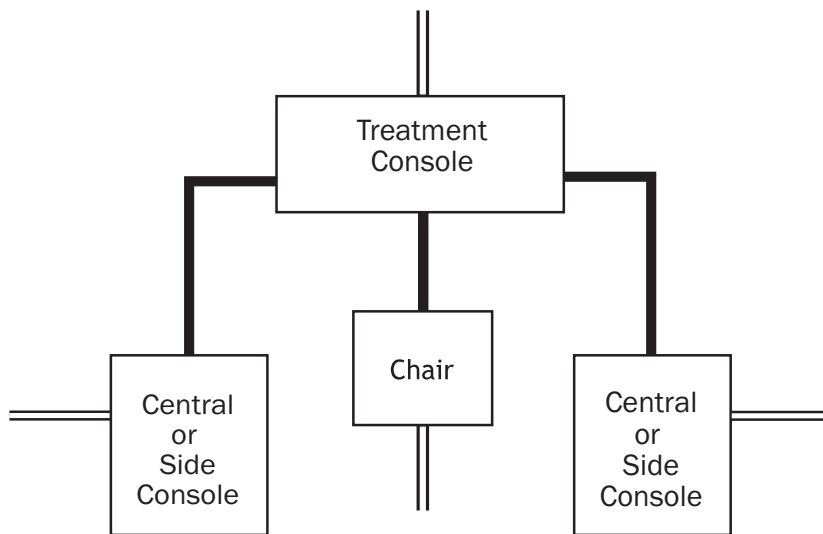
Use the 1/2" flex conduit, as required, to connect the 3" (76 mm) piece from the floor to the junction box. Wire as per local and national electrical codes.

The low voltage conduit is used for routing data lines and touchpad wires, not for line voltage.

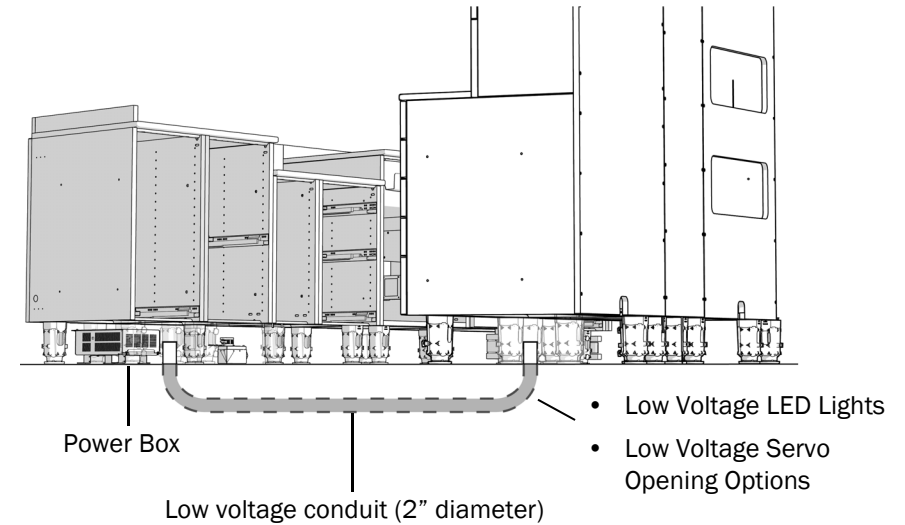
If you plan on connecting and controlling LED task lights on all cabinets from the Control Center, consider this during the rough-in.

## Electrical Rough-In Operatory Example

- ==== = Line voltage conduit
- = Low voltage conduit (2" diameter)

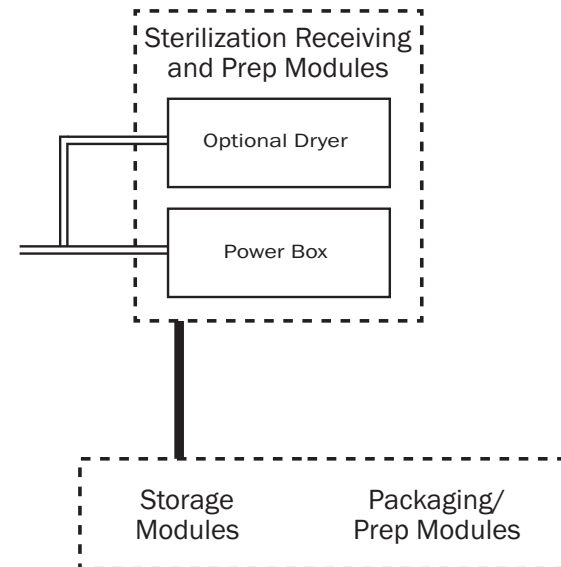


## Electrical Rough-In 594 Galley Example



## Electrical Rough-In, Sterilization Center Example (galley)

- ==== = Line voltage conduit
- = Low voltage conduit (2" diameter)



## Electrical Connection to Mains

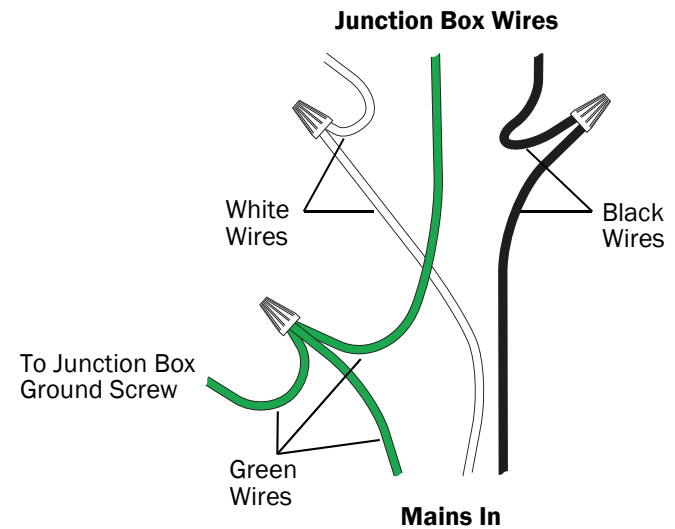
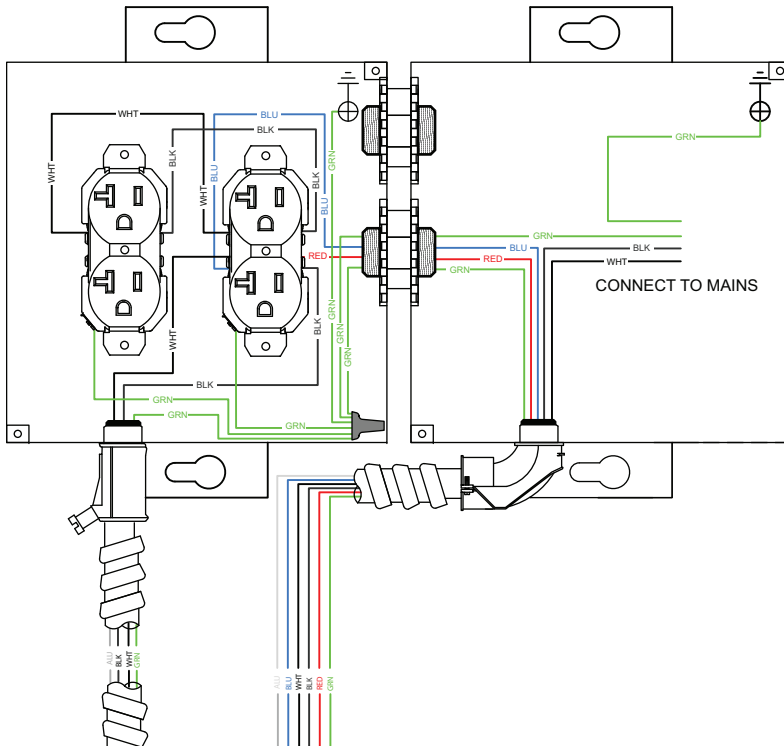


**CAUTION** Local regulation requires licensed electricians to install electrical utilities. All electrical utilities must conform to prevailing local codes. Final electrical connections will be required after the equipment is placed.



**NOTE** Connect incoming power to a 20 A circuit breaker.

Mains power is connected at the junction box located in the cabinet base. See the example below:





## Operating Current for Ancillary Devices/Operator

| Ancillary Device  | Typical Operating Current (Amps)<br>@ 110-120 VAC |
|---|---|
| Distribution Box<br><i>(control center, task lights, ICV®)</i>  | 2.0   |
| Distribution Box<br><i>(control center, task lights, ICV,<br/>plus optional devices plugged into<br/>auxiliary outlets)</i> | 9.0<br>duplex output = 7 A max                    |
| Monitor   | 1.1   |
| Intraoral Camera  | 2.0   |
| Curing Light  | 2.0   |
| Amalgamator   | 2.3   |
| Ultrasonic Scaler   | 0.9   |
| X-Ray Viewer  | 0.4   |



**NOTE** Connect incoming power to each cabinet to a 20 A circuit breaker. The table above shows typical current draw for various devices that might be installed in a cabinet. Always consult the device nameplate for actual power requirements. Ancillary equipment may have substantial power requirements and should be considered when determining total treatment room branch circuits.

## Operating Current for Ancillary Devices/ 594 Sterilization Center

| Ancillary Device | Typical Operating Current (Amps)<br>@ 110-120 VAC |
|------------------|---|
| Instrument Dryer | 14.5  |
| Power Box        | 4.5   |



**NOTE** When an instrument dryer is selected, the cabinet (dryer and power box) must be connected to a dedicated 20 A 120 VAC circuit. To prevent nuisance tripping of the circuit breaker and to ensure proper operation of the dryer and power box functions, no other loads can be included on this circuit.

## Additional Electrical Requirements for the 594

### Instrument Dryer

For the instrument dryer, A-dec provides a junction box in the sink module. A licensed electrician will need to connect the junction box to mains power.

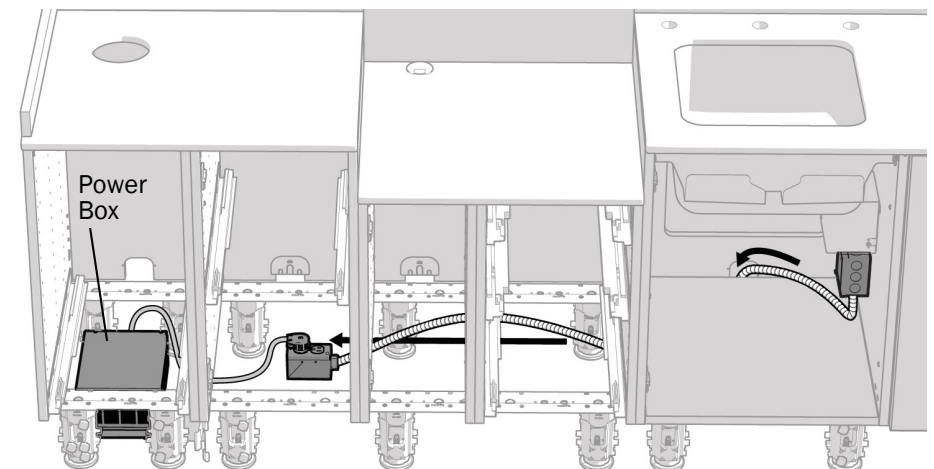
### Power Box/Individual Servo Power Supply

For the power box, the contractor will need to locate a duplex outlet in the base area under the receiving module. Locate the duplex outlet:

- in the floor under the receiving modules,
- in the base of the wall behind the receiving modules, or
- on the end of a conduit provided by a licensed electrician, wired to the junction box under the sink, and long enough to reach the receiving modules and/or Sterile Servo modules.
- in the floor under Sterile Storage modules

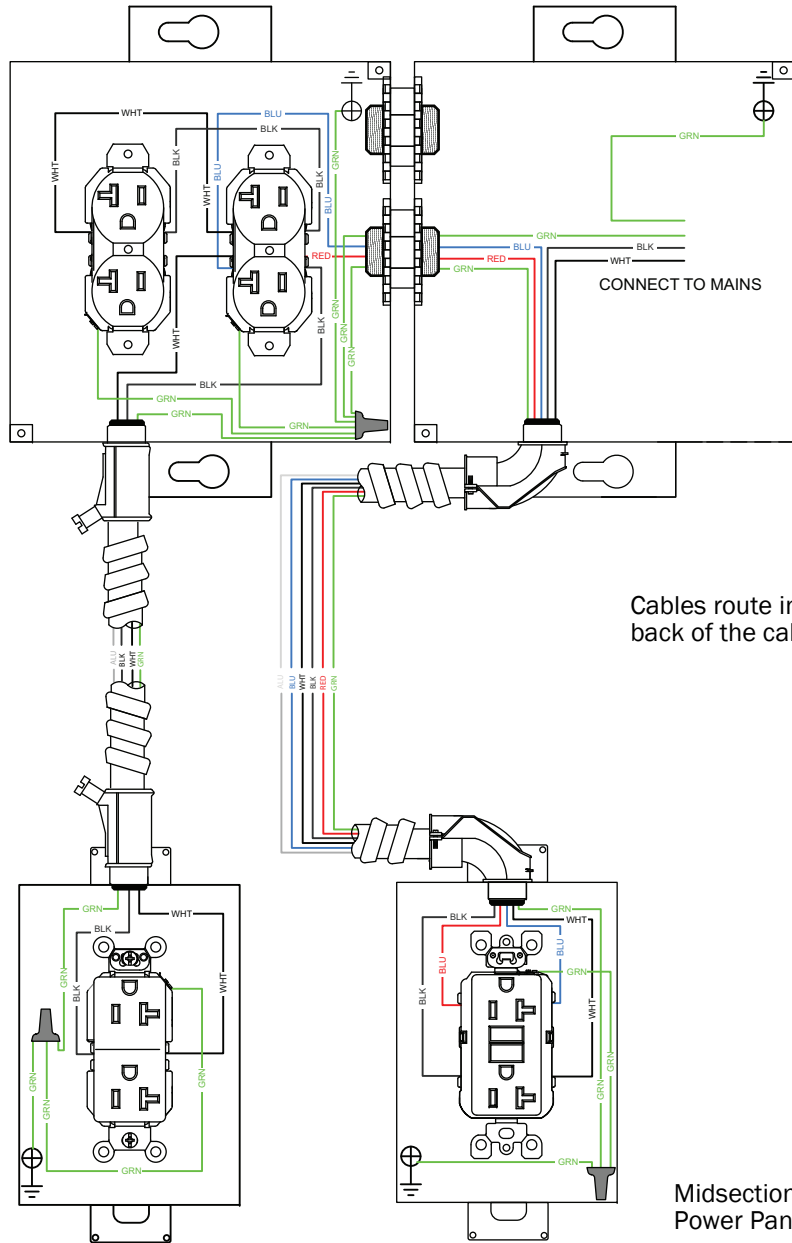
### Ancillary Devices

For ancillary devices, such as sterilizers and ultrasonic cleaners, provide the electrical supply in the space noted on the utility/back panel templates, or anchor it to the floor in the base area. Refer to the device manufacturer for supply requirements. There are no electrical duplex receptacles supplied with the A-dec Inspire 594 Sterilization Cabinets. These must be provided by the contractor.



# Wiring Diagrams

## 391/591 Treatment Console



Base

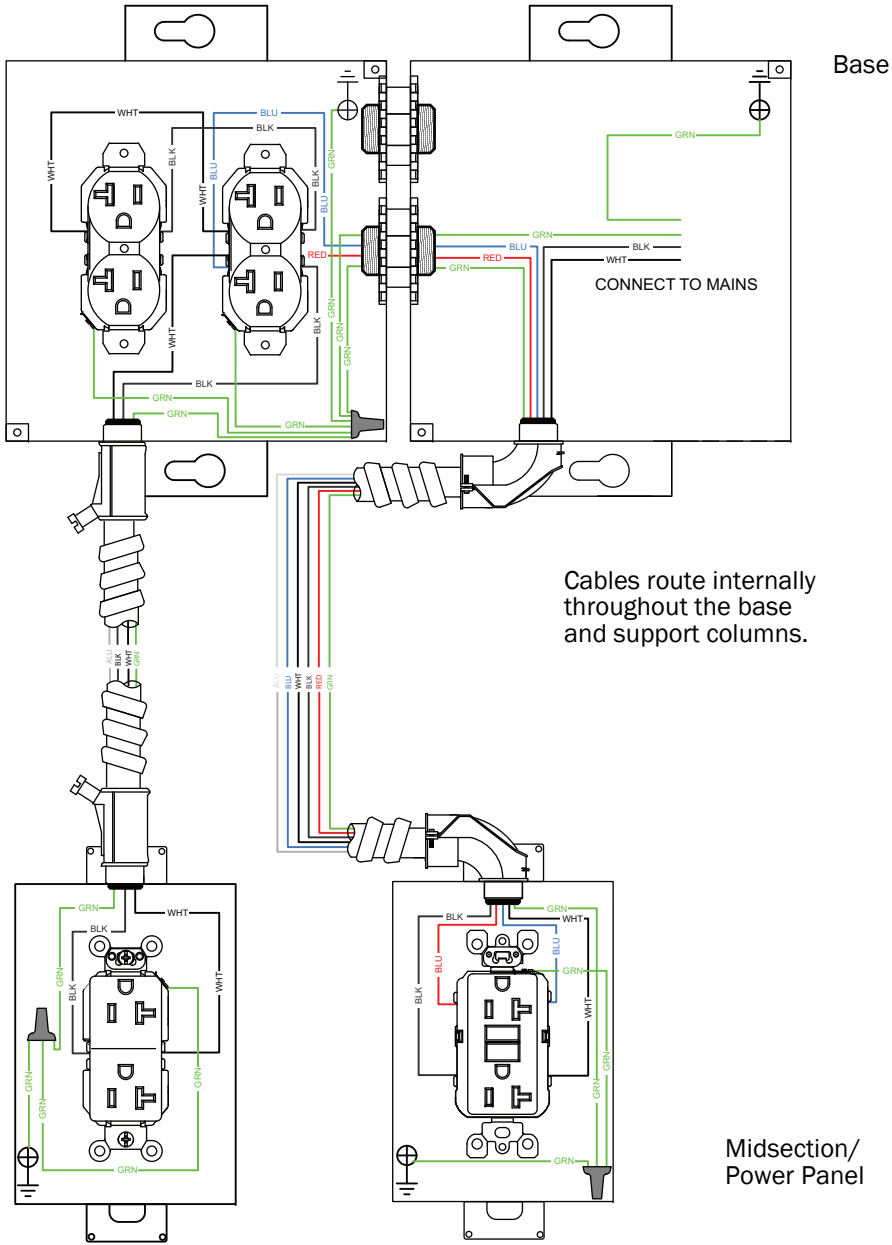


**NOTE** The mains for the 391 has only one duplex outlet.

Cables route internally down the back of the cabinet.

Midsection/  
Power Panel

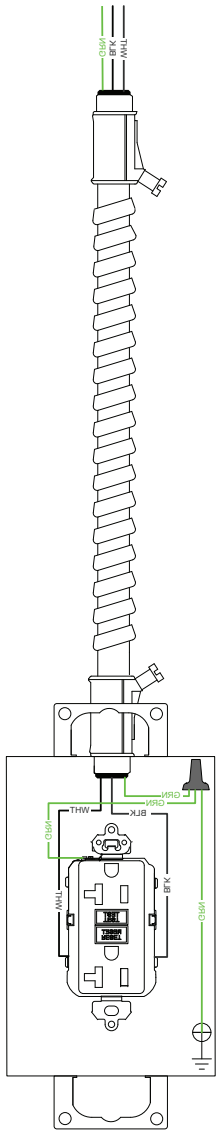
# 592 Central Console



Base

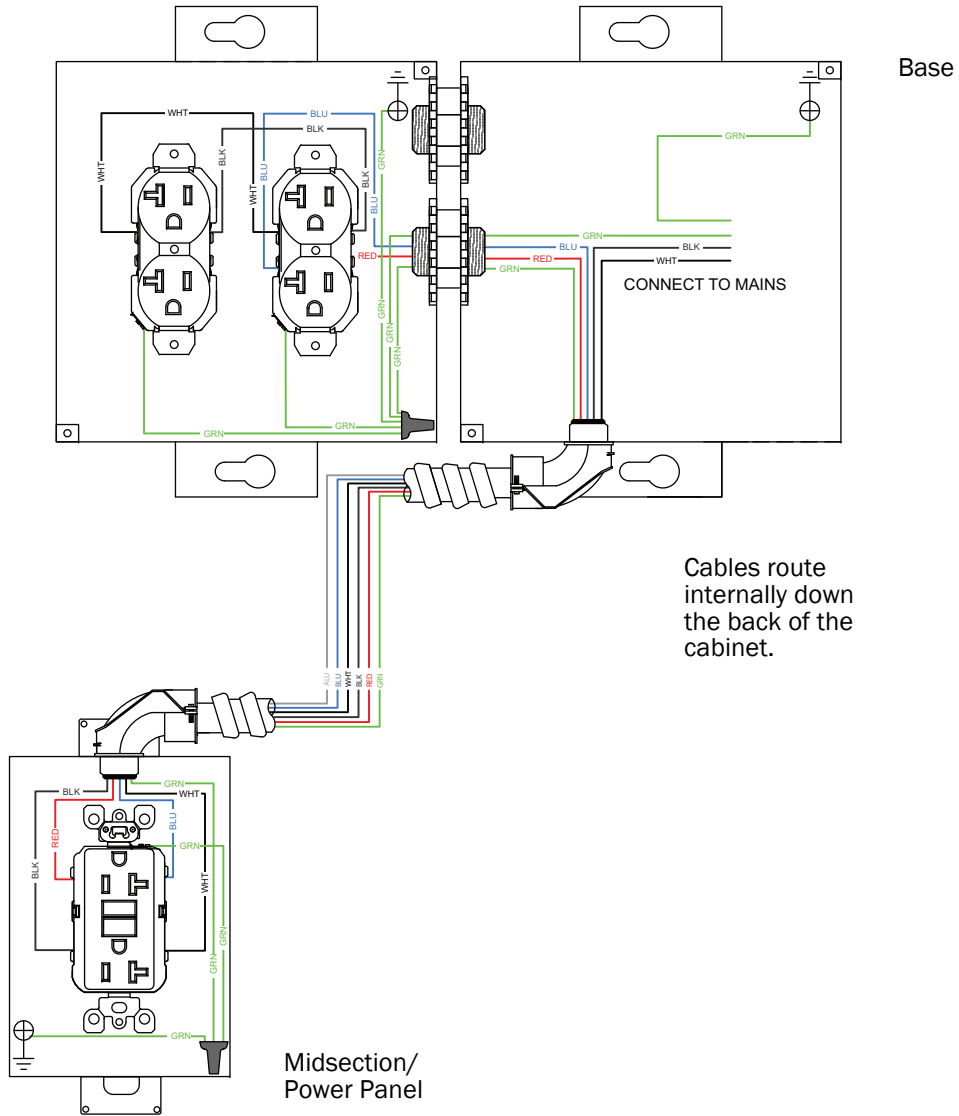
Cables route internally throughout the base and support columns.

Midsection/  
Power Panel



Cable routes internally down the support column in the equipment/x-ray module.

## 593 Side Console



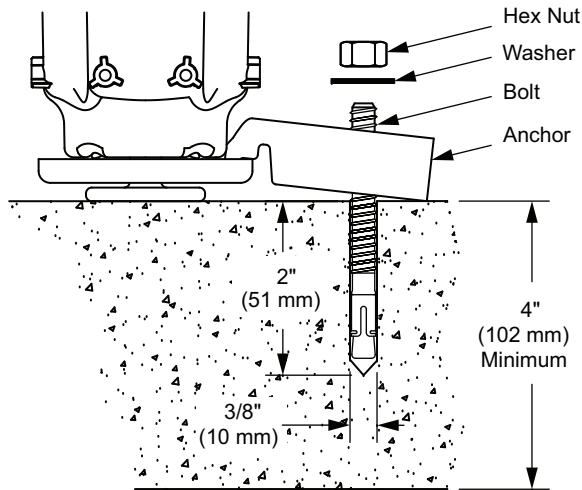
**CAUTION** A 593 lower only is not equipped with a quad box or outlets.

# Structural and Other Construction Requirements



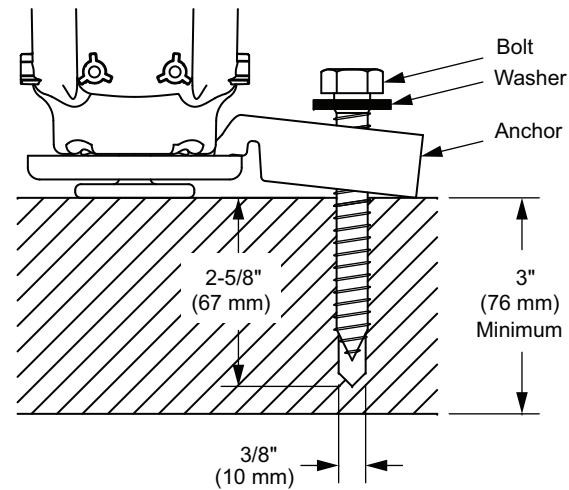
**NOTE** Anchoring requirements are determined by local seismic and structural codes and vary depending on the cabinet model and configuration. See the following section and the Plan View section for potential anchoring locations for specific module configurations.

## Floor Anchoring - Concrete Floors



**NOTE** Anchors are only approved for use in slabs at least 4" (102 mm) thick. If concrete does not meet minimum requirements, consult with a licensed engineer for alternate anchors.

## Floor Anchoring - Non-Concrete Floors



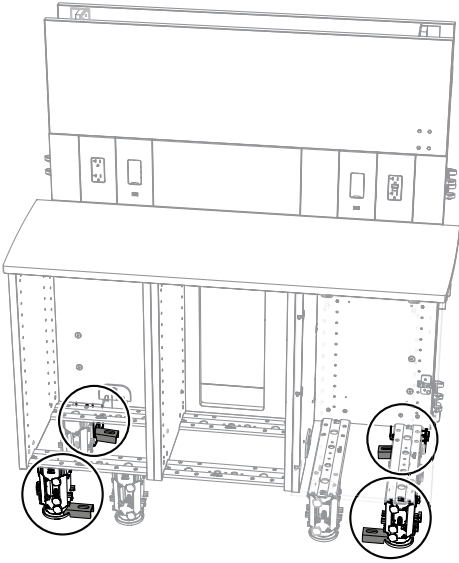
**NOTE** Anchors are only approved for use in wood flooring at least 3" (76 mm) thick. The lag screw must exceed a minimum embedment depth of 2-5/8" (67 mm). If the flooring material does not meet minimum requirements, consult with a licensed contractor about adding reinforcements.



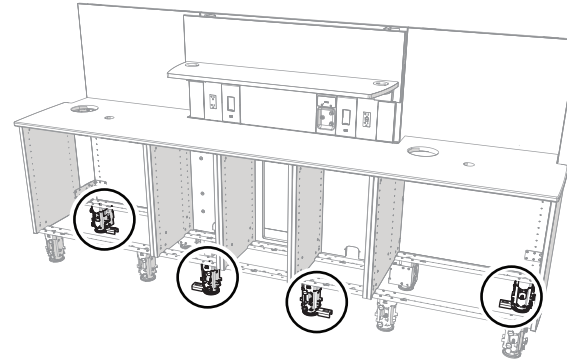
**NOTE** Some local seismic or structural codes may require additional anchoring, which may, in turn, require additional wood flooring support. Contact A-dec Customer Service for more information.

## 391/591 Treatment Console Anchoring

For 391 and 591 configurations, two anchors will be placed on the front feet of the 42" (106.7 cm) section and two anchors will be placed on the support column.



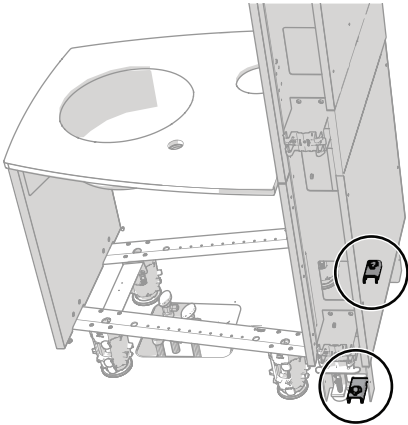
For 70" (177.8 cm) and 98" (248.9 cm) configurations, it may not be possible to install rear anchors on the support column, so those will be placed on the rear outside feet.



## 592 Central Console Anchoring

### T-Wall Console

For 592 T-wall consoles, two anchors are required.

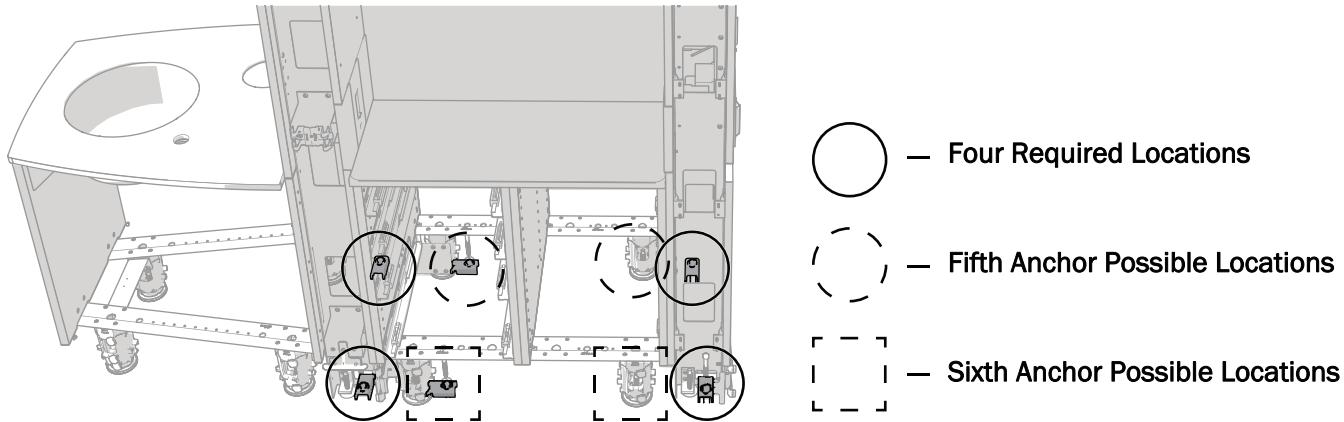


## 592 Central Console Anchoring (cont.)

### Mid Console

For 592 mid-console configurations, six anchors are required:

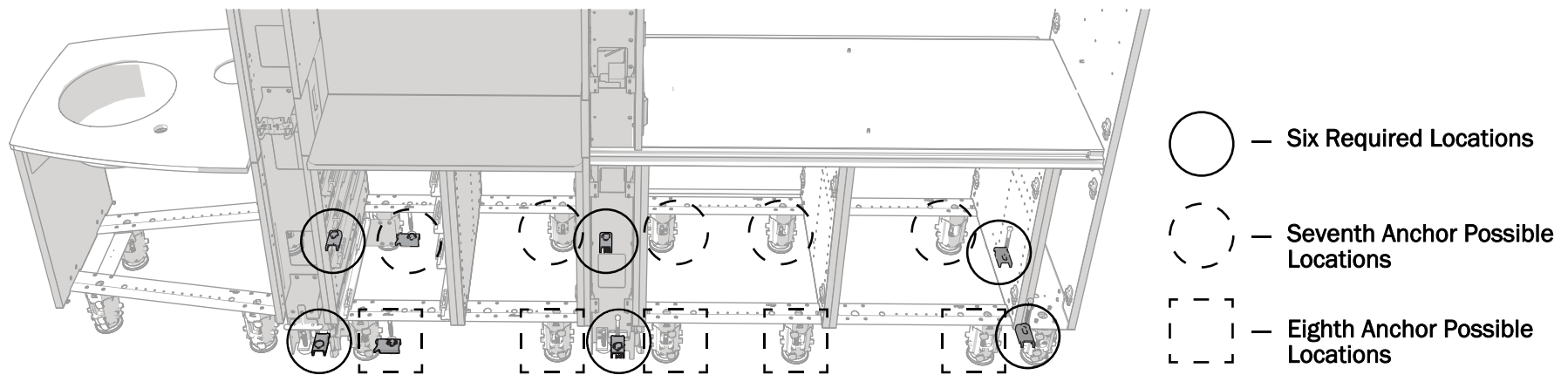
- Two anchors on each support column
- Two anchors on the feet of the mid lower (one on each side)



### Full Console

For 592 full-console configurations, six anchors are required:

- Two anchors on each support column
- Two anchors on the end panel
- Two anchors on the feet of the mid lower or equipment lower (one on each side)





## 594 Sterilization Center Anchoring

For 594 configurations, anchors are required in the following positions according to the type of cabinet module:

### Straight Run of Lowers

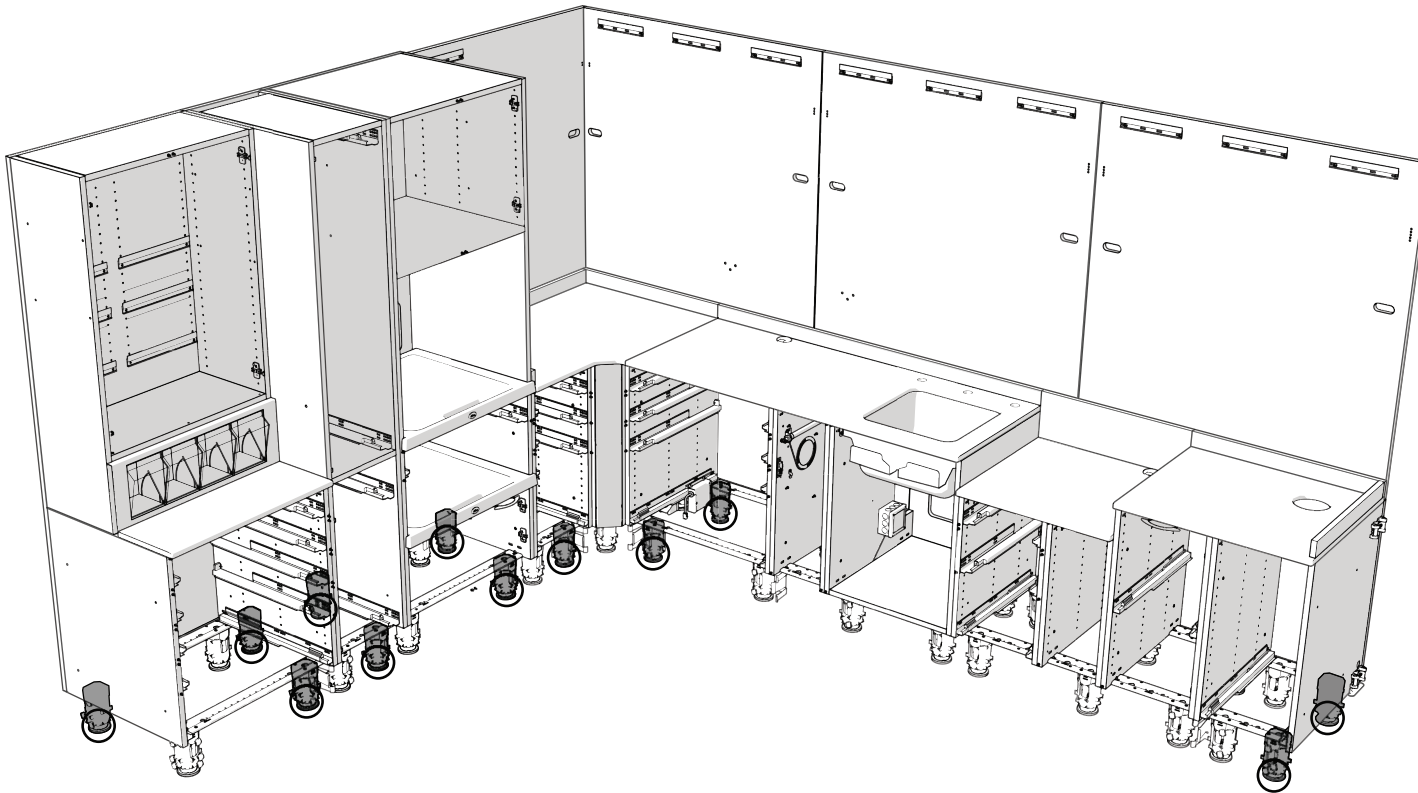
Four anchors, one in each corner. Extended run lengths before and after the corner may ship with additional anchors.

### Lower Next to a Tower

Two anchors, one in front and one in back.

### Towers

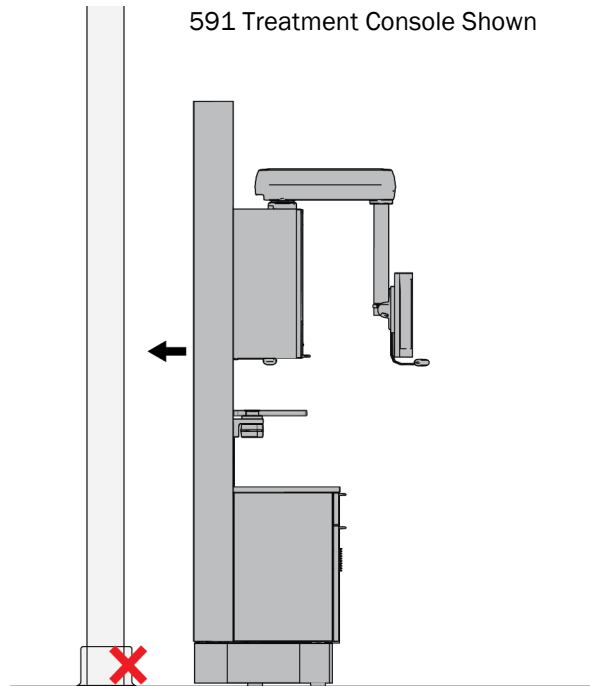
Two anchors, one in front and one in back, on each tower.



**NOTE** The lower corner and the corner tower do not get anchored.

## 391/591 Treatment Console Headwall Installations

Do not install baseboard molding on a headwall that also includes the 391/591 treatment console. The molding will cause an obstruction with the cabinet rear corner base covers and the cabinet will not sit flush against the wall.



## Framing/Wall Mounting

### 395 Wall-Mounted Cabinets



**NOTE** If wall construction is composed of wood studs, a minimum screw embedment of 1.5" is recommended in order to meet specific seismic requirements. Contact A-dec Customer Service for specific load requirements or consult local building experts for Seismic requirements in your geographic area.



**NOTE** Anchoring and structural needs may differ depending on the seismic requirements for the installation. Consult A-dec Customer Service for additional details.

For minimum anchoring requirements, refer to the A-dec 395 installation guide. For seismic anchoring requirements, contact A-dec Customer Service to obtain necessary documentation.

#### Metal Stud Wall

Minimum Stud: 1-1/4" x 3-1/2" x 22 ga @ 24" (610 mm) o.c.  
A-dec-Provided Fasteners: 1/4"-20 x 3" hex head screw, fully threaded with 1/4"-20 toggle bolt anchor

#### Wood Stud Wall

Minimum Stud: standard or better 2" x 4" @ 24" (610 mm) o.c.  
A-dec-Provided Fasteners: 1/4" x 4" hex head lag screw

#### Drywall Wall

Minimum Stud: 24" (610 mm) o.c.  
A-dec-Provided Fasteners: 1/4"-20 x 3" hex head screw, fully threaded with 1/4"-20 toggle bolt anchor

## Framing/Wall Mounting (cont.)

### 395 Framing and Mounting Requirements

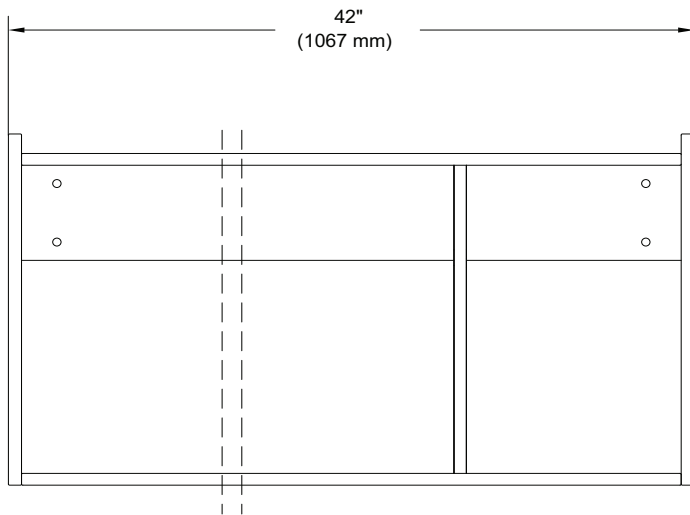


**WARNING** If the installer cannot make the proper number of stud attachments, the wall framing will require reinforcements. Contact A-dec Customer Service for additional information.

For 395 wall-mounted cabinets, the installation must meet the following mounting requirements:

| Cabinet        | Minimum Mounting Requirements                      |
|----------------|--|
| Single Cabinet | Anchored to 1/2" (or thicker) drywall and one stud |

Left-Handed Configuration Viewed from the Front  
(with doors removed)

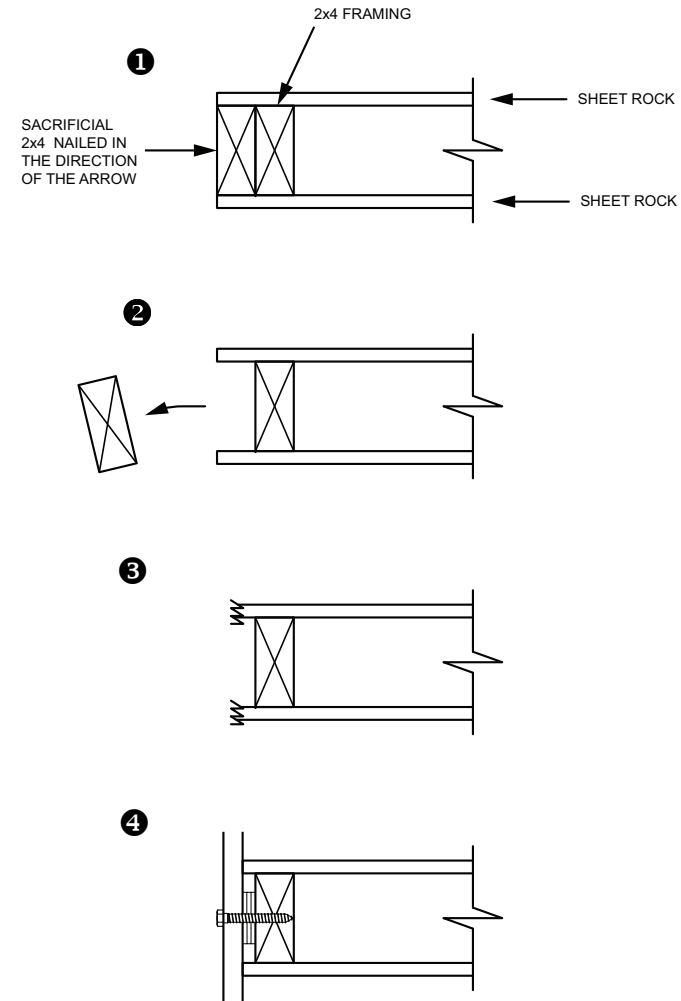


The 395 cabinet requires a minimum of two drywall anchors per side (located in pre-drilled holes) and one stud anchor residing somewhere between the side anchors, preferably as close to the center of the cabinet as possible.

### 592 T-Wall and Mid Cabinets

To allow for proper vertical leveling of the 592 T- and mid-wall configurations:

1. Insert a sacrificial 2" x 4" stud prior to sheet rock installation.
2. Remove the sacrificial 2" x 4", exposing the overhanging sheet rock.
3. Mark and scribe the sheet rock to match a plumb line.
4. Installers will tack on shims to anchor points and anchor the cabinet.



## Framing/Wall Mounting (cont.)

### 593 Side Console Upper

Minimum requirements for attachment and for wall construction have been determined by an independent structural engineering company. Documented detail is available from A-dec Customer Service.

#### Metal Stud Wall

|                                  |   |
|----------------------------------|---|
| <u>Minimum Stud:</u>             | 1-1/4" x 3-1/2" x 22 ga @ 24" (610 mm) o.c.                     |
| <u>A-dec-Provided Fasteners:</u> | 1/4"-20 x 2-1/2" hex head screw with 1/4"-20 toggle bolt anchor |

#### Wood Stud Wall

|                                  |  |
|----------------------------------|--|
| <u>Minimum Stud:</u>             | standard or better 2" x 4" @ 24" (610 mm) o.c. |
| <u>A-dec-Provided Fasteners:</u> | 1/4" x 4" hex head lag screw                   |



**NOTE** Due to seismic and structural requirements, a 2" embedment is required for securing the 593 cabinets to wood studs. If the wood studs cannot be located to allow for this requirement, additional bracing will be required. Contact A-dec Customer Service for specific load requirements and additional information.

### 593 Framing and Mounting Requirements



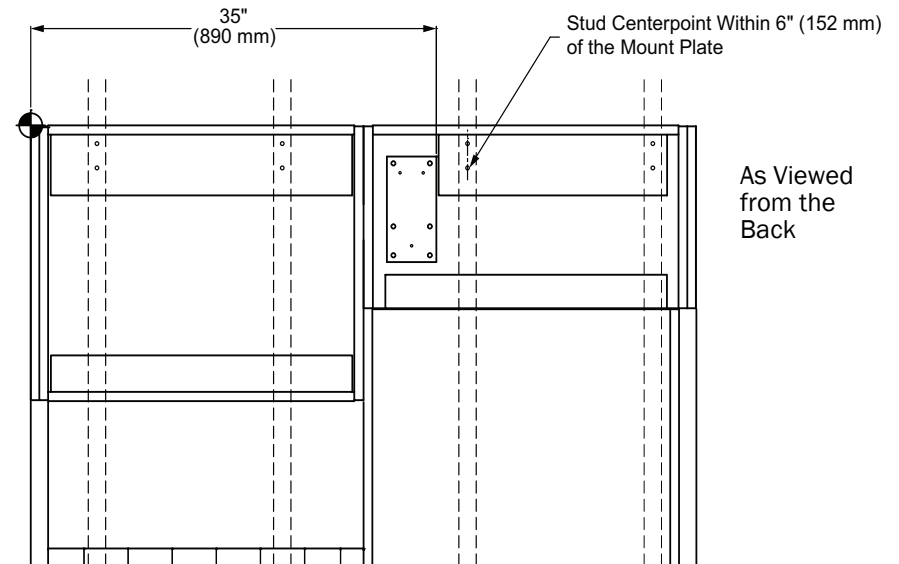
**WARNING** If the installer cannot make the proper number of stud attachments, the wall framing will require reinforcements. Contact A-dec Customer Service for additional information.

For 593 side console upper cabinets, the installation must meet the following mounting requirements:

| Module Size | Minimum Stud Anchoring                  |
|-------------|---|
| 28"         | 2 studs (with 2 hex fasteners per stud) |
| 14"         | 1 stud (with 2 hex fasteners per stud)  |

The 28" modules must be mounted directly to two wall studs (with two hex fasteners for each stud). The 14" modules must be mounted directly to at least one wall stud (with two hex fasteners). To accommodate an integrated dental light or monitor mount, the 28" dispenser modules require the stud center-point located within 6" (152 mm) of the mounting plate.

The following example shows minimum framing requirements for a 56" configuration.



## Framing/Wall Mounting *(cont.)*

### 595 Wall-Mounted Storage



**NOTE** Due to seismic and structural requirements, a 2" embedment is required for securing the 595 cabinets to wood studs. If the wood studs cannot be located to allow for this requirement, additional bracing will be required. Contact A-dec Customer Service for specific load requirements and additional information.

Minimum requirements for attachment and for wall construction have been determined by an independent structural engineering company. Documented detail is available from A-dec Customer Service.

#### Metal Stud Wall

- Minimum Stud: 1-1/4" x 3-1/2" x 22 ga @ 24" (610 mm) o.c.  
A-dec-Provided Fasteners: 1/4"-20 x 2" button head screw with 1/4"-20 toggle bolt anchor

#### Wood Stud Wall

- Minimum Stud: standard or better 2" x 4" @ 24" (610 mm) o.c.  
A-dec-Provided Fasteners: #10 x 3" Phillips head screw (*for cleat*)  
 1/4" x 4" hex head lag screw (*for cabinet*)

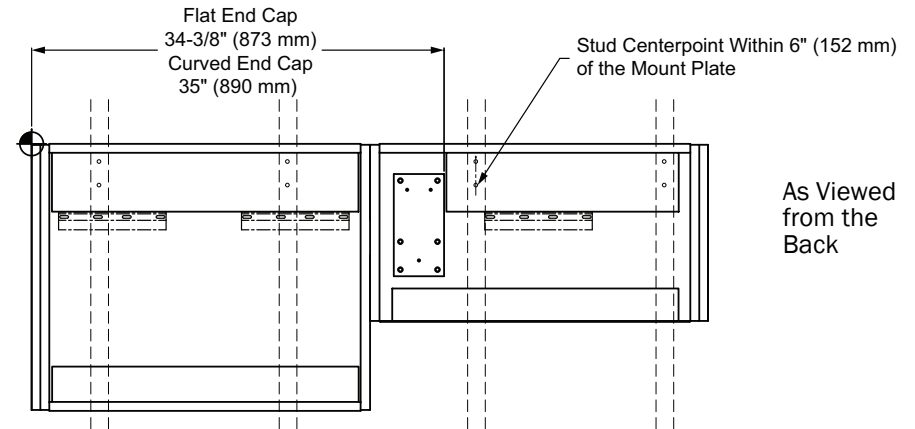
### Framing and Mounting Requirements



**WARNING** If the installer cannot make the proper number of stud attachments, the wall framing will require reinforcements. Contact A-dec Customer Service for additional information.

For 595 wall-mounted cabinets, the installation must meet the following mounting requirements:

| Cabinet            | Minimum Mounting Requirements                    |
|--------------------|--|
| Single Cabinet     | Cleat anchored to two studs                      |
| Connected Cabinets |  |
| • Dispenser        | Cleat anchored to two studs                      |
| • Storage          | Cleat anchored to one stud and one toggle anchor |



For single 28" modules, the wall cleat must be mounted directly to two wall studs (with one screw for each stud). For dual, connected 56" cabinet combinations, the wall cleat must be mounted directly to two wall studs for the dispenser module, and at least one stud for the storage module, plus an additional toggle bolt anchor installed approximately 10" (254 mm) from the direct stud attachment point in the storage module.

In addition to the cleat mounting, the 28" dispenser modules must be mounted directly to two wall studs (with two hex fasteners for each stud). To accommodate an integrated dental light or monitor mount, the 28" dispenser modules require the stud center-point located within 6" (152 mm) of the mounting plate.

## Framing/Wall Mounting (cont.)

### 595 X-Ray Storage Insert

The x-ray unit manufacturer requires additional jamb framing, and the routing of electrical for the x-ray is dependent on the x-ray manufacturer requirements. Consult with the x-ray manufacturer and your local building contractor for assistance.

#### Metal Stud Wall

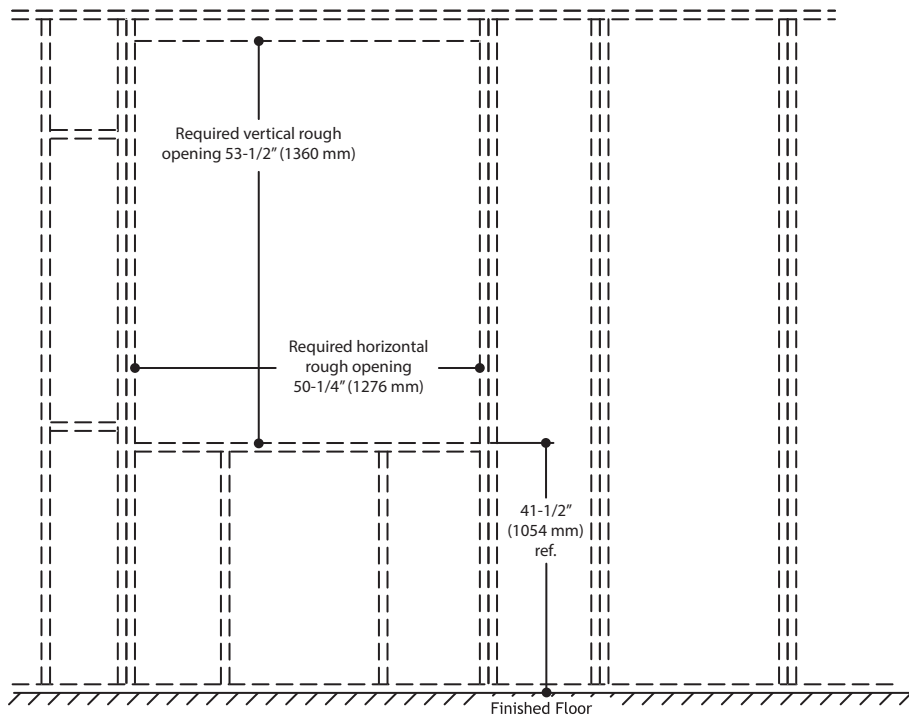
Minimum Stud: 1-1/4" x 3-1/2" x 22 gage studs

A-dec-Provided Fasteners: eight #10 x 3" self-drilling screws

#### Wood Stud Wall

Minimum Stud: #2 Douglas Fir, Larch or Southern Pine

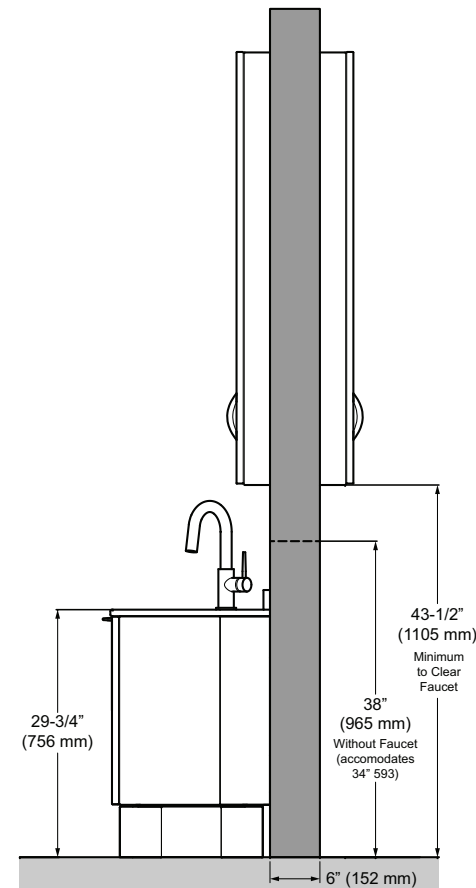
A-dec-Provided Fasteners: eight #10 x 3" self-drilling screws



## Framing/Wall Mounting (cont.)



**NOTE** Framing for the 595 x-ray storage insert will be impacted when a 593 or 393 console (located underneath the 595) includes a sink module and faucet. If there is no sink module and faucet, the 595 may be framed to a minimum of 38" (965 mm) in height. If there is a sink module and faucet, the 595 may be framed to a minimum of 43-1/2" (1105 mm) in height. See the illustration below.



595 shown with 593

# Plan Views

## Full-Size Templates Reference

Listed below are the titles for each full-size template and the corresponding page numbers in this document that provide a miniature version of that template. Additional pages provide details on the placement of utilities. To order a full-size template, fill out and submit the order form available on the A-dec Partner Resources website (<https://partnerresources.a-dec.com/planning-resources/templates>) under “Planning Resources/Templates.” You can also contact A-dec Customer Service at 1.800.547.1883 or 1.503.538.7478 to request a template.

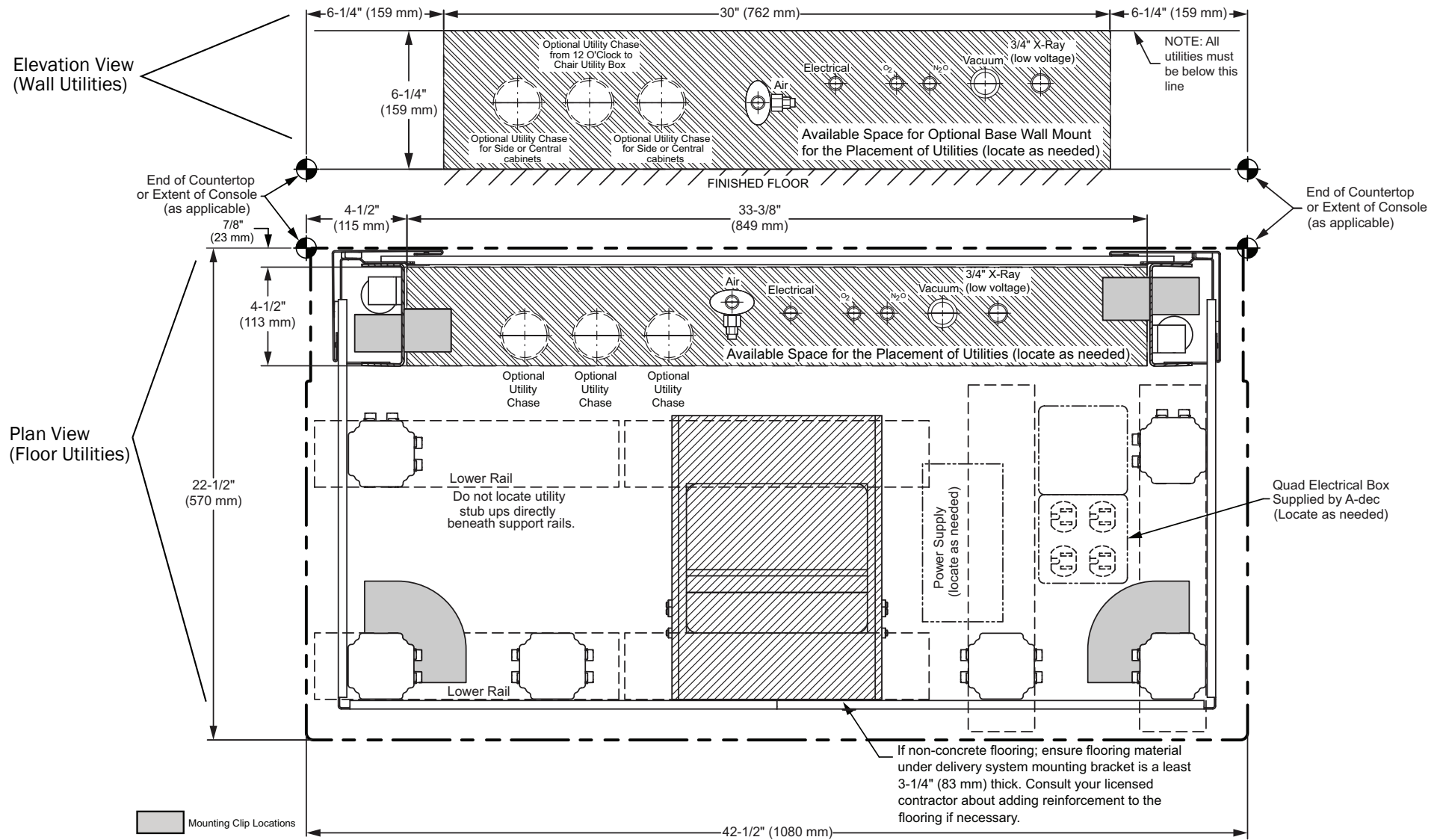
| Template Title  | Part Number | Corresponding Mini-Template Page Number |
|---|-------------|---|
| Template, A-dec Inspire 391 - 42" Treatment Console   | 86.1069.00  | 27                                      |
| Template, A-dec Inspire 393 Console 42"   | 86.1097.00  | 27                                      |
| Template, A-dec Inspire 393 Console 56"   | 86.1107.00  | 27                                      |
| Template, A-dec Inspire 395 Wall-Mounted Cabinet  | 86.1096.00  | 27                                      |
| Template, A-dec Inspire 591 - 42" Treatment Console   | 86.0633.00  | 33                                      |
| Template, A-dec Inspire 591 - 70" Treatment Console, Right Sink   | 86.0634.00  | 34                                      |
| Template, A-dec Inspire 591 - 70" Treatment Console, Left Sink  | 86.0635.00  | 35                                      |
| Template, A-dec Inspire 591 - 98" Treatment Console, Dual Sink  | 86.0636.00  | 36                                      |
| 591 - 70" and 98" Treatment Console, Utilities/Back Panel   | n/a         | 37                                      |
| Template, A-dec Inspire 592 - 32" T-Wall and 52", 66", and 80" Mid Central Consoles                     | 86.0638.00  | 38                                      |
| Template, A-dec Inspire 592 - 100", 114", and 128" Full Central Consoles                                | 86.0639.00  | 39                                      |
| 592 Central Console Utilities   | n/a         | 40                                      |
| Template, A-dec Inspire 593 Side Console, 16" Depth with Left Sink                                      | 86.0644.00  | 41                                      |
| Template, A-dec Inspire 593 Side Console, 16" Depth with Right Sink                                     | 86.0645.00  | 42                                      |
| 593 Side Console, 16" Depth/Utilities   | n/a         | 43                                      |
| Template, A-dec Inspire 593 Side Console, 19" Depth with Left Sink                                      | 86.0646.00  | 44                                      |
| Template, A-dec Inspire 593 Side Console, 19" Depth with Right Sink                                     | 86.0647.00  | 45                                      |
| 593 Side Console, Utilities/Back Panel  | n/a         | 46                                      |
| Template, A-dec Inspire 594 Sterilization Center, Instrument Washer Module EQ4204, Utilities/Back Panel | 86.0650.00  | 47                                      |
| Template, A-dec Inspire 594 Sterilization Center, Tower Modules TW4001 and TW4005, Utilities/Back Panel | 86.0652.00  | 48                                      |
| Template, A-dec Inspire 594 Sterilization Center, Tower Modules TW4002 and TW4006, Utilities/Back Panel | 86.0653.00  | 49                                      |



| Template Title  | Part Number | Corresponding Mini-Template Page Number |
|---|-------------|---|
| Template, A-dec Inspire 594 Sterilization Center, Tower Modules TW4003 and TW4007, Utilities/Back Panel | 86.0654.00  | 50                                      |
| Template, A-dec Inspire 594 Sterilization Center, Tower Module TW4004, Utilities/Back Panel             | 86.1013.00  | n/a                                     |
| Template, A-dec Inspire 594 Sterilization Center, Tower Modules TW4008 and TW4009, Utilities/Back Panel | 86.1014.00  | n/a                                     |
| Template, A-dec Inspire 594 Sterilization Center, Tower Module TW4010, Utilities/Back Panel             | 86.1015.00  | n/a                                     |
| Template, A-dec Inspire 594 Sterilization Center, 18" Sink Module                                       | 86.0809.00  | 51                                      |
| Template, A-dec Inspire 594 Sterilization Center, 22" Sink Module                                       | 86.0651.00  | 52                                      |
| Template, A-dec Inspire 594 Sterilization Center, 28" Sink Module                                       | 86.0810.00  | 53                                      |
| Template, A-dec Inspire 595 Wall Mounted Cabinet, 28" and 56" Modules                                   | 86.0743.00  | 54                                      |

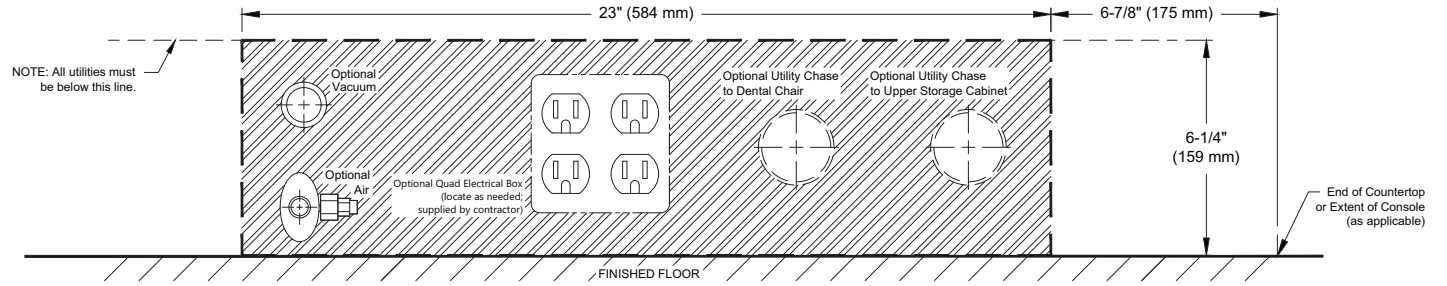
# Mini-Templates

## 391 - 42" Consoles



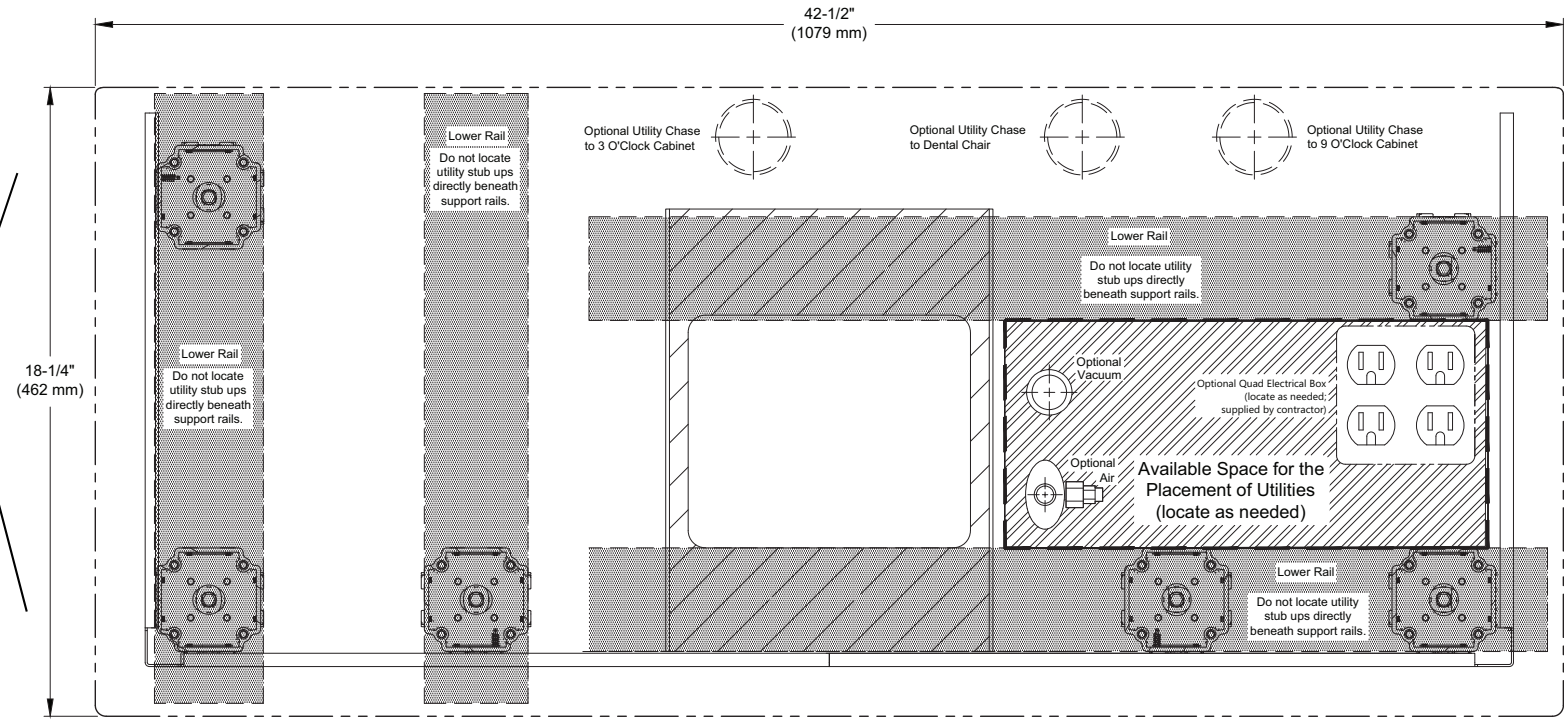
# 393 - 42" Consoles, Left-Handed Configuration

Location for Wall-Mounted Utilities, Left-Handed Configuration  
(locate as needed)



Elevation View  
(Wall Utilities)

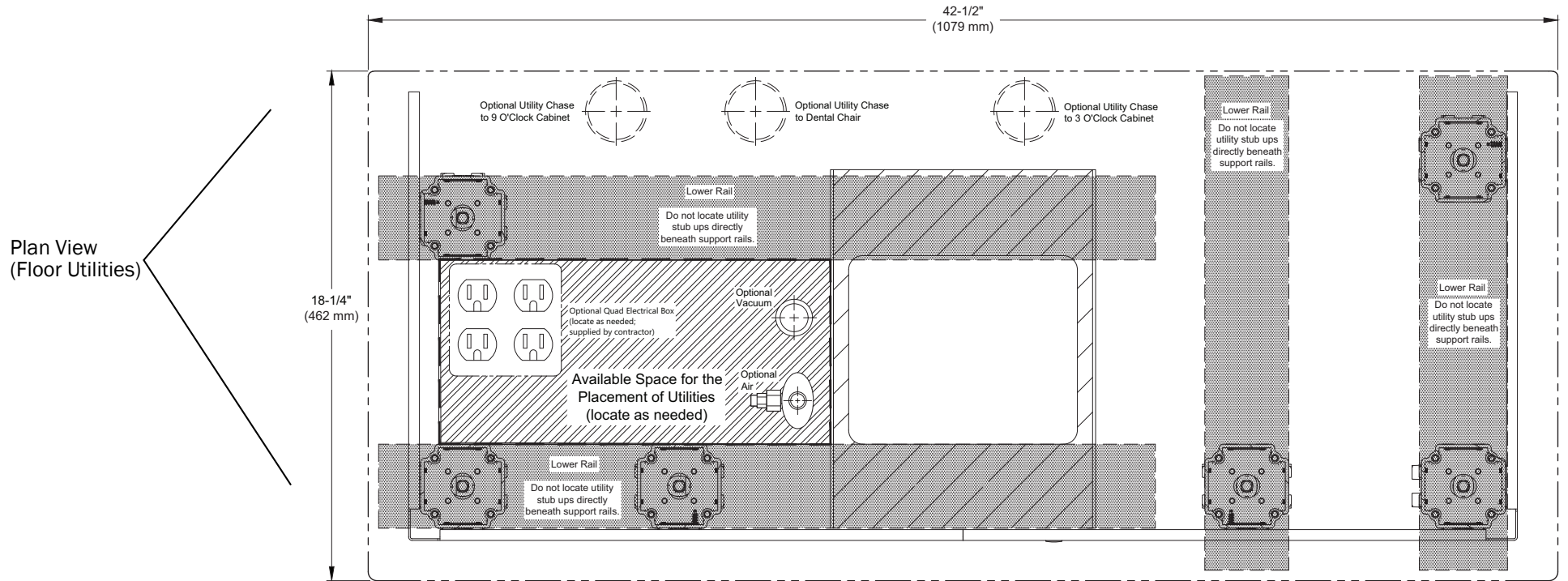
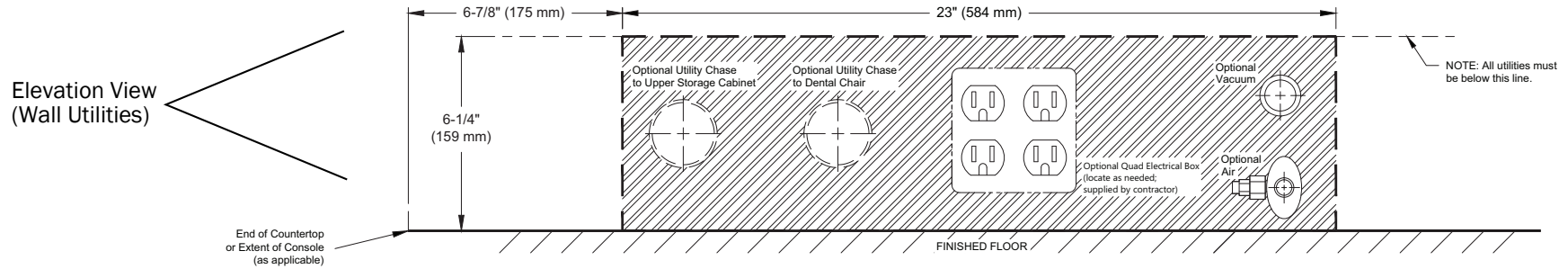
Plan View  
(Floor Utilities)



Left-Handed Configuration

# 393 - 42" Consoles, Right-Handed Configuration

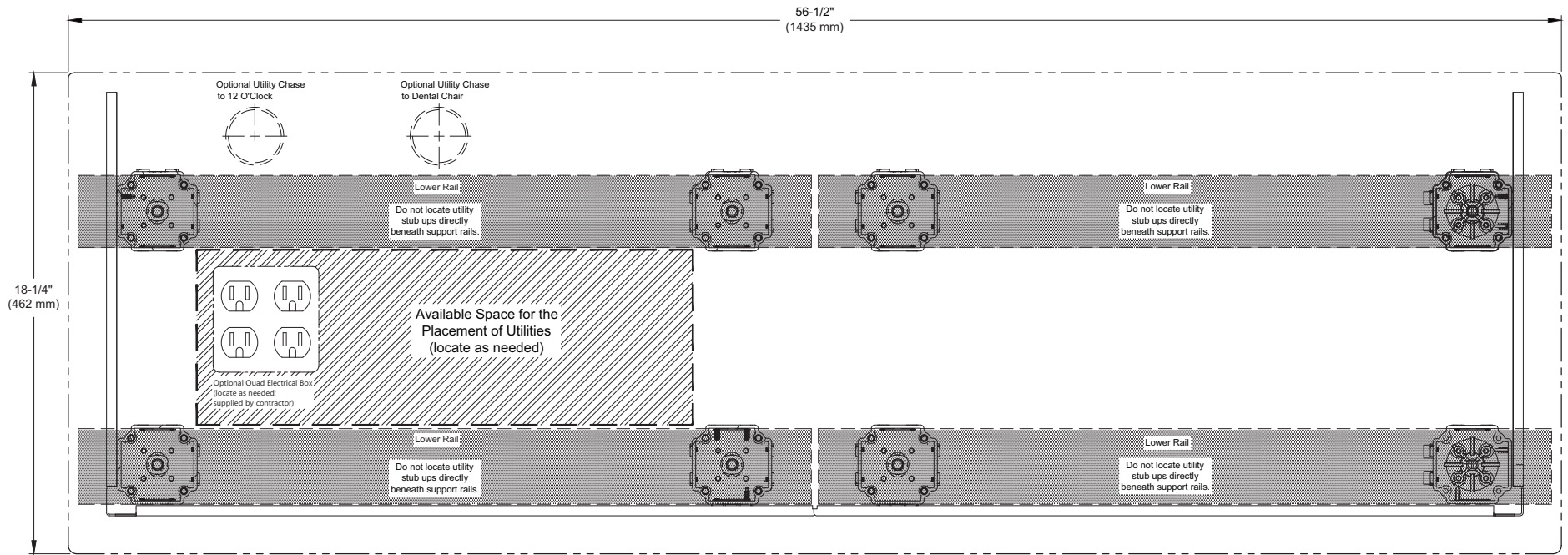
Location for Wall-Mounted Utilities, Right-Handed Configuration  
(locate as needed)



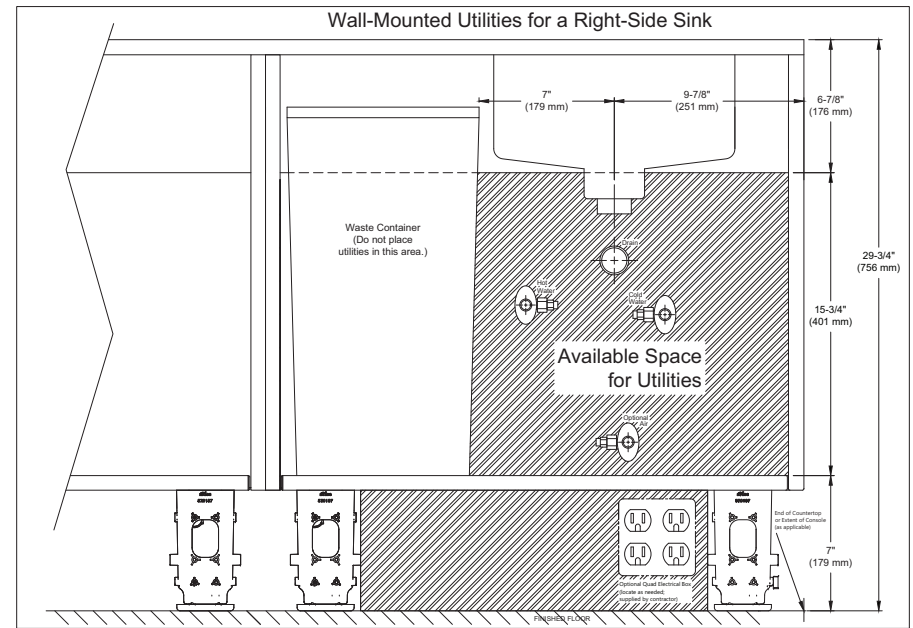
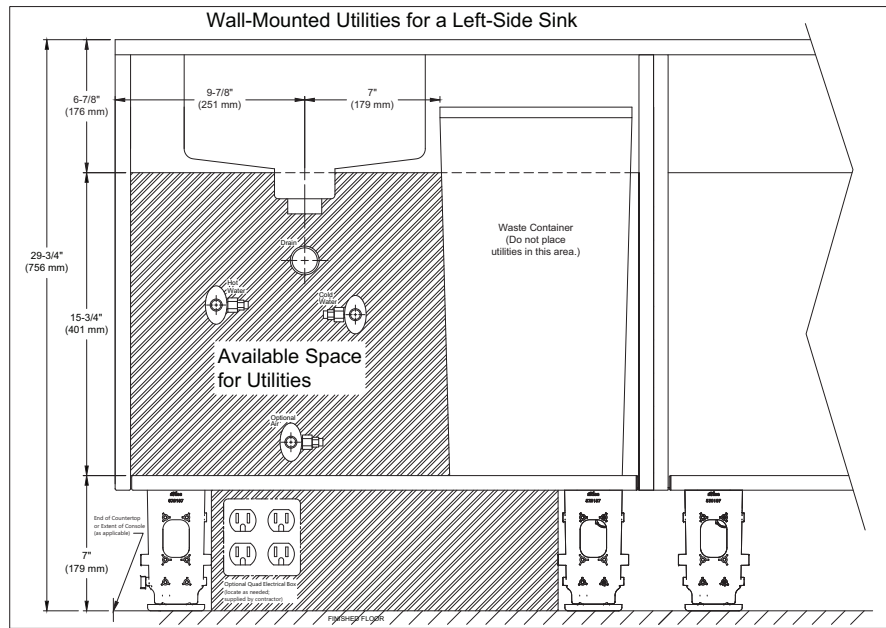
Right-Handed Configuration

# 393 - 56" Consoles

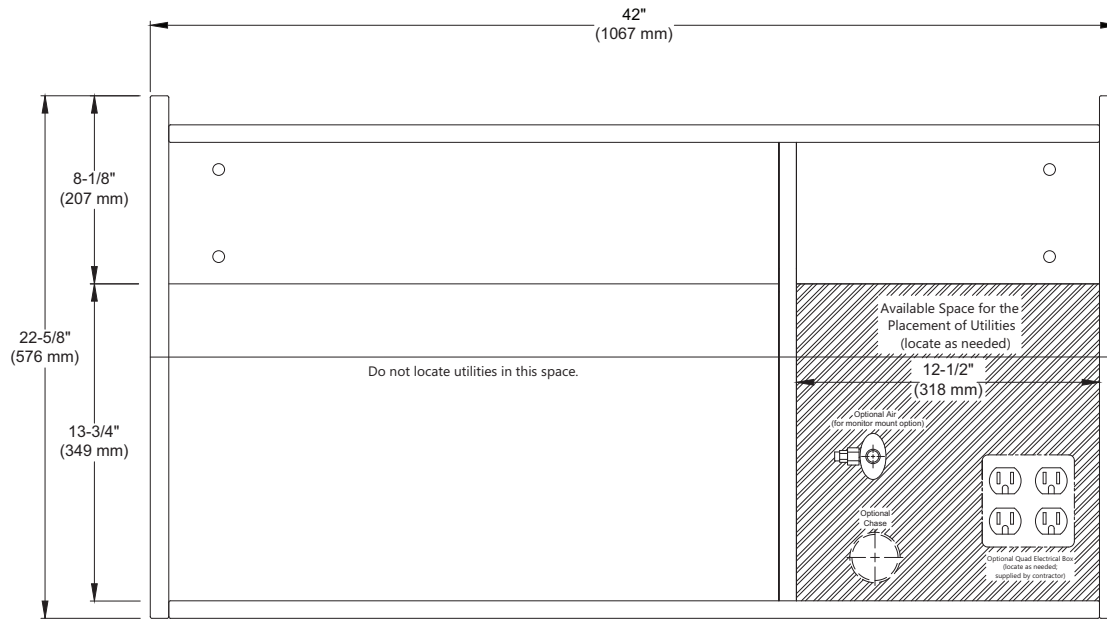
Plan View  
(Floor Utilities)



### 393 - 56" Consoles, Sink Utilities/Back Panel

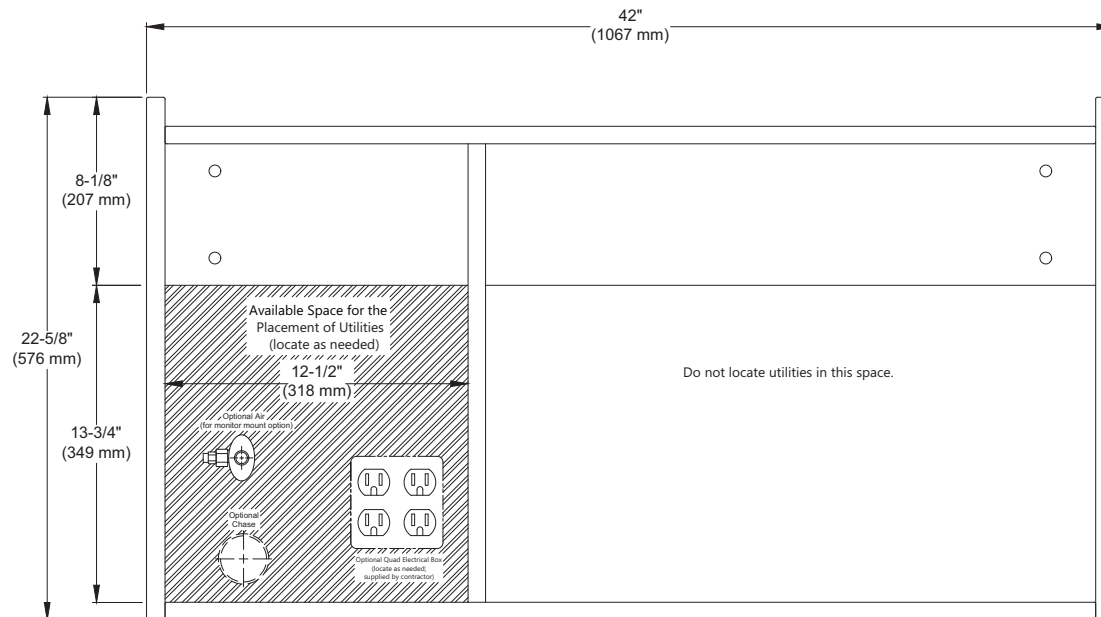


# 395 - Wall-Mounted Cabinet



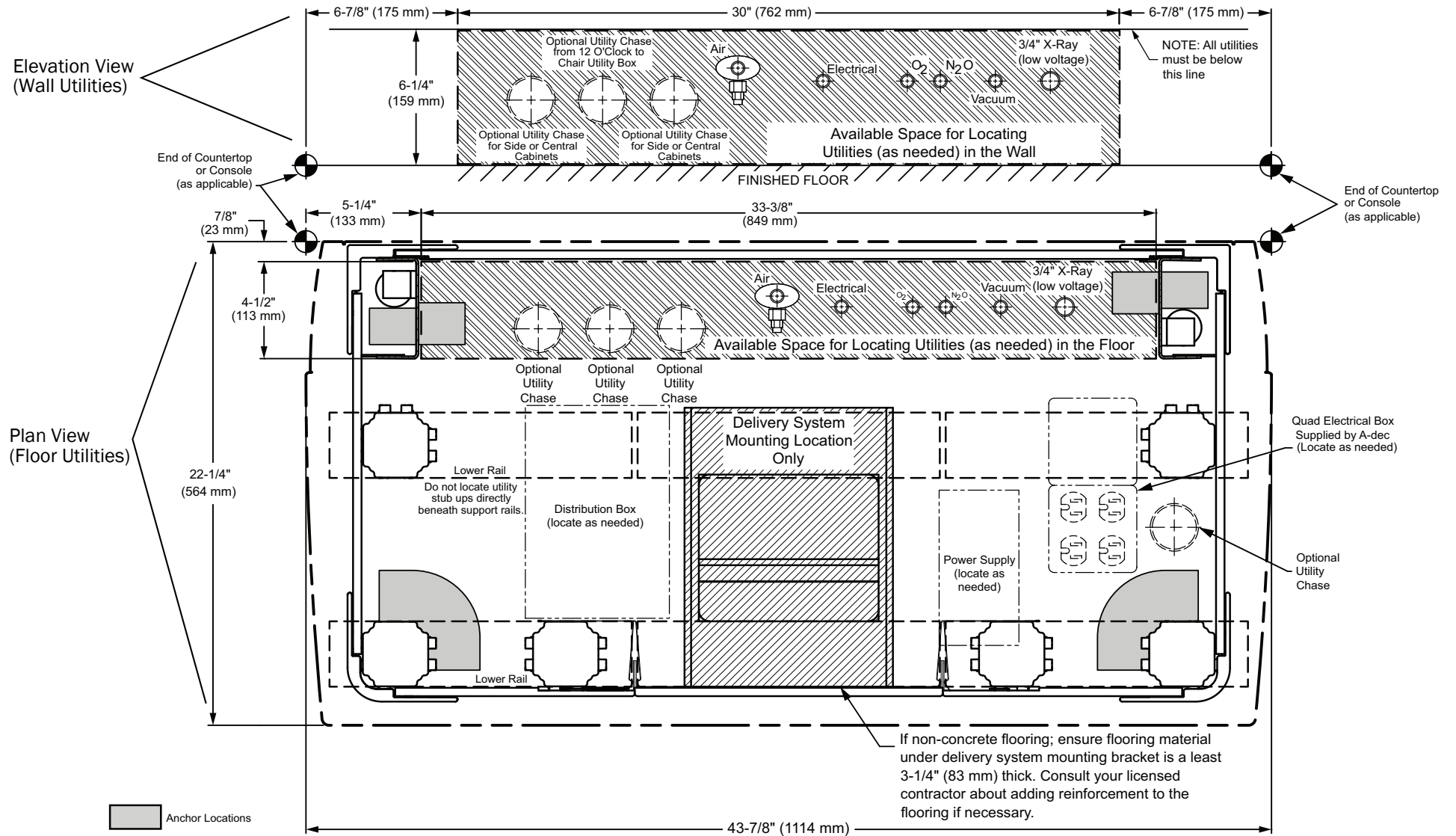
Left-Handed Configuration

Right-Handed Configuration

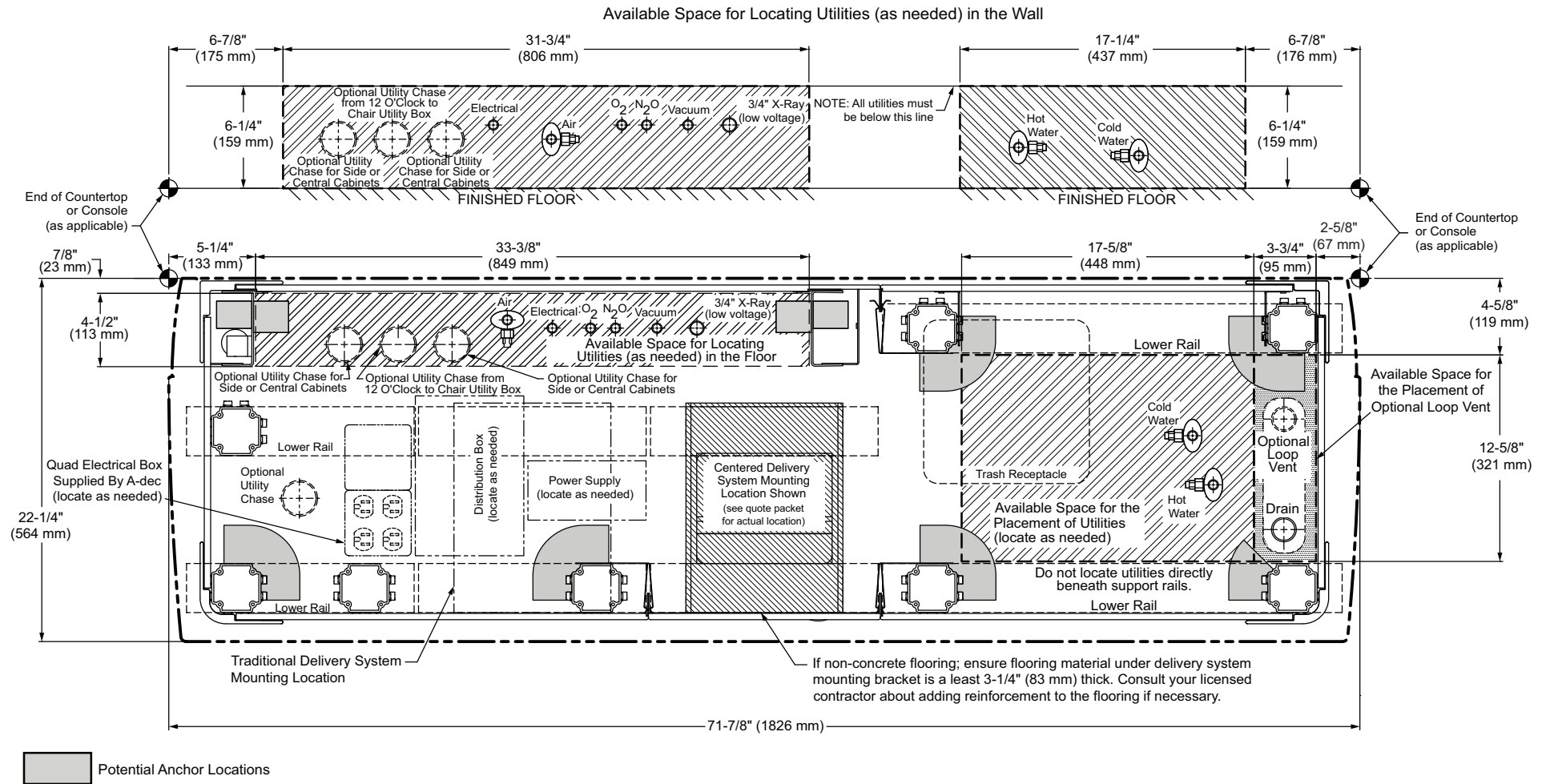




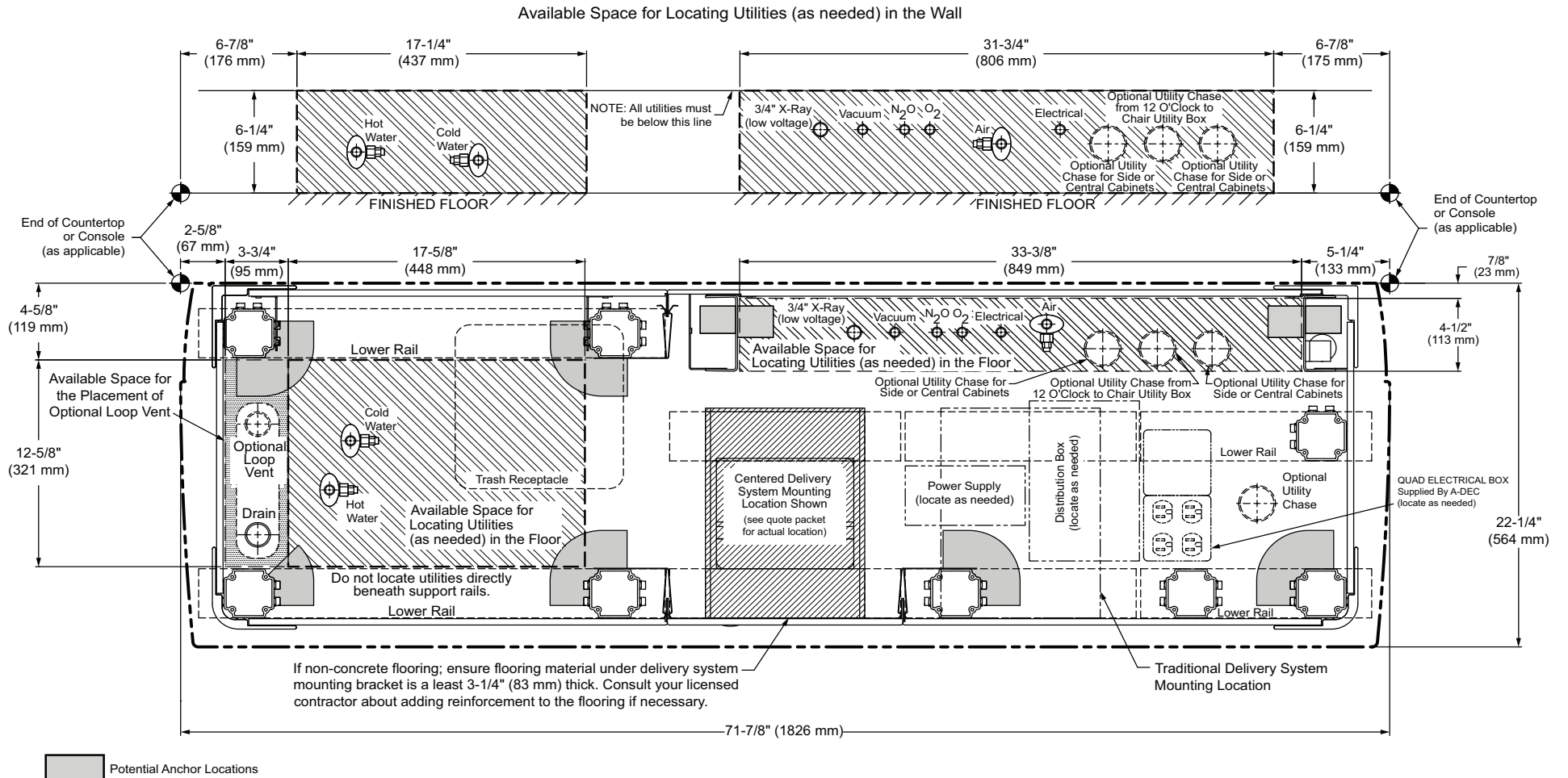
# 591 - 42" Treatment Console



# 591 - 70" Treatment Console, Right Sink

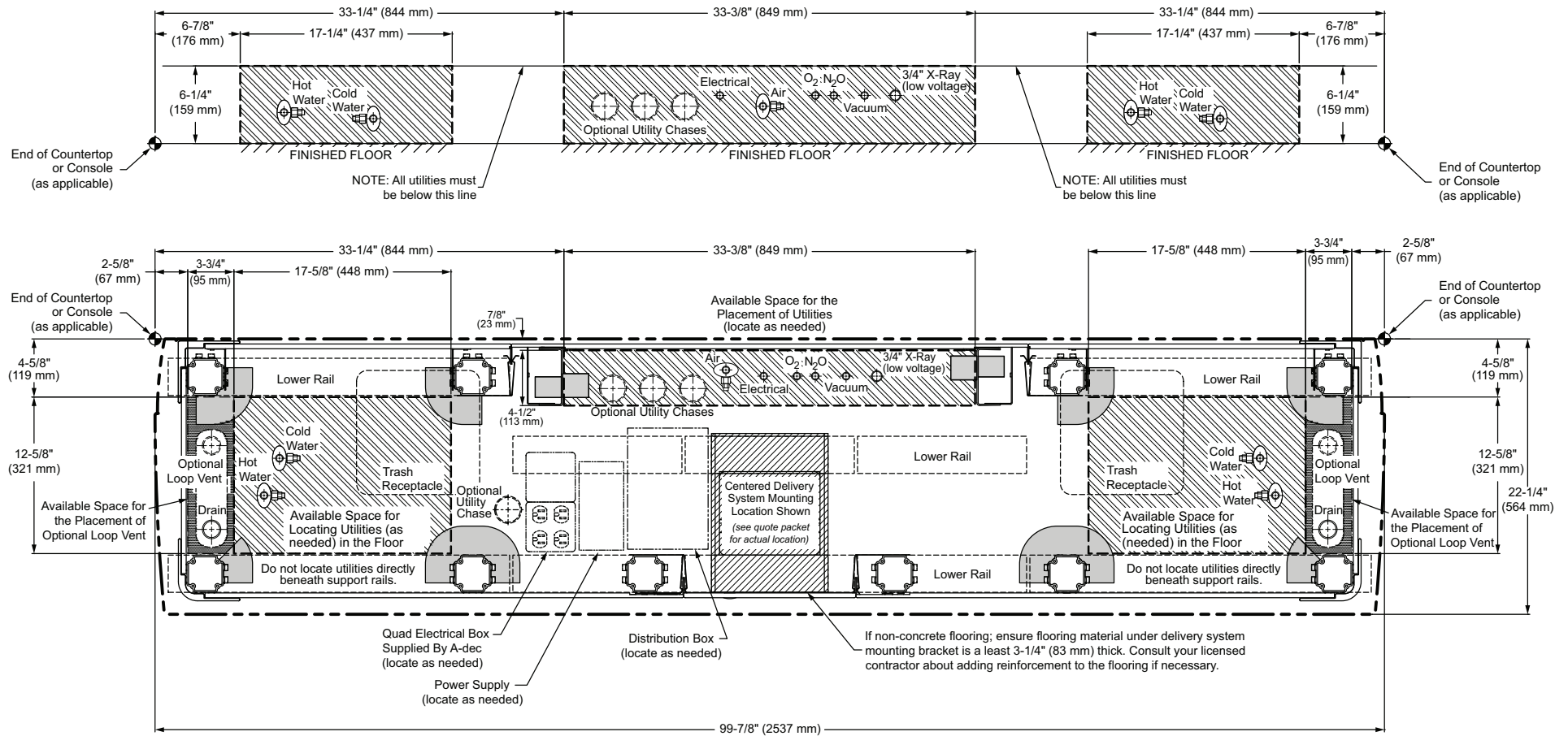


# 591 - 70" Treatment Console, Left Sink

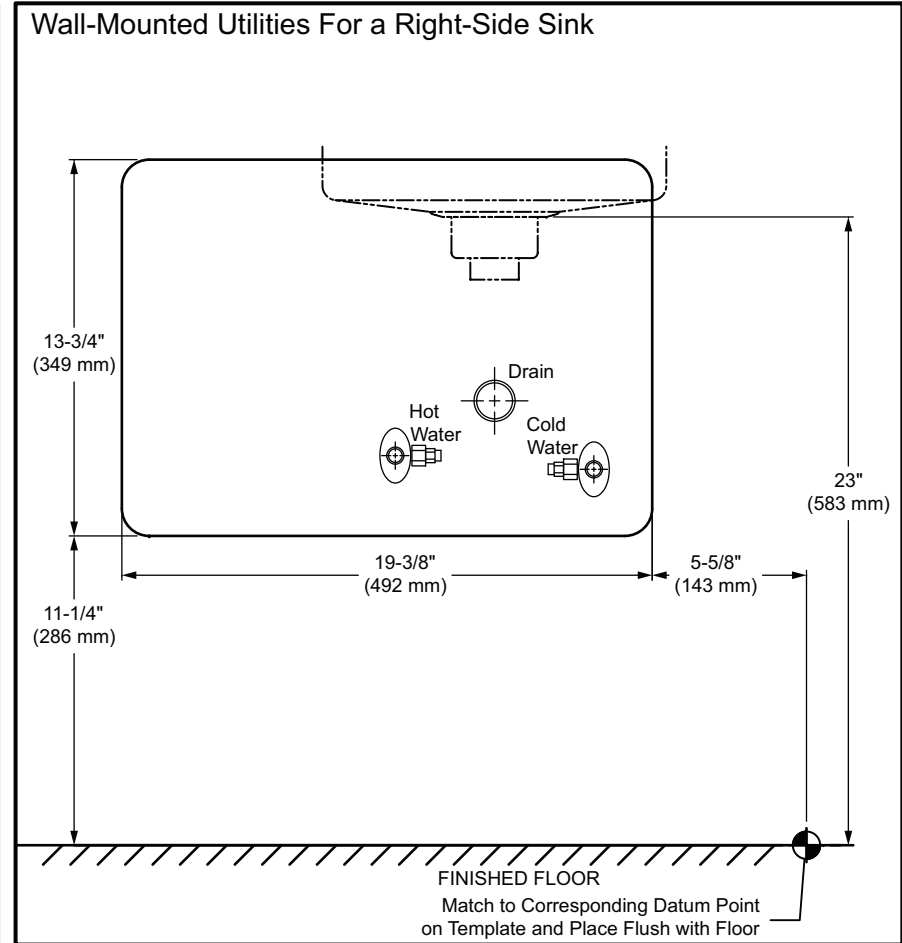
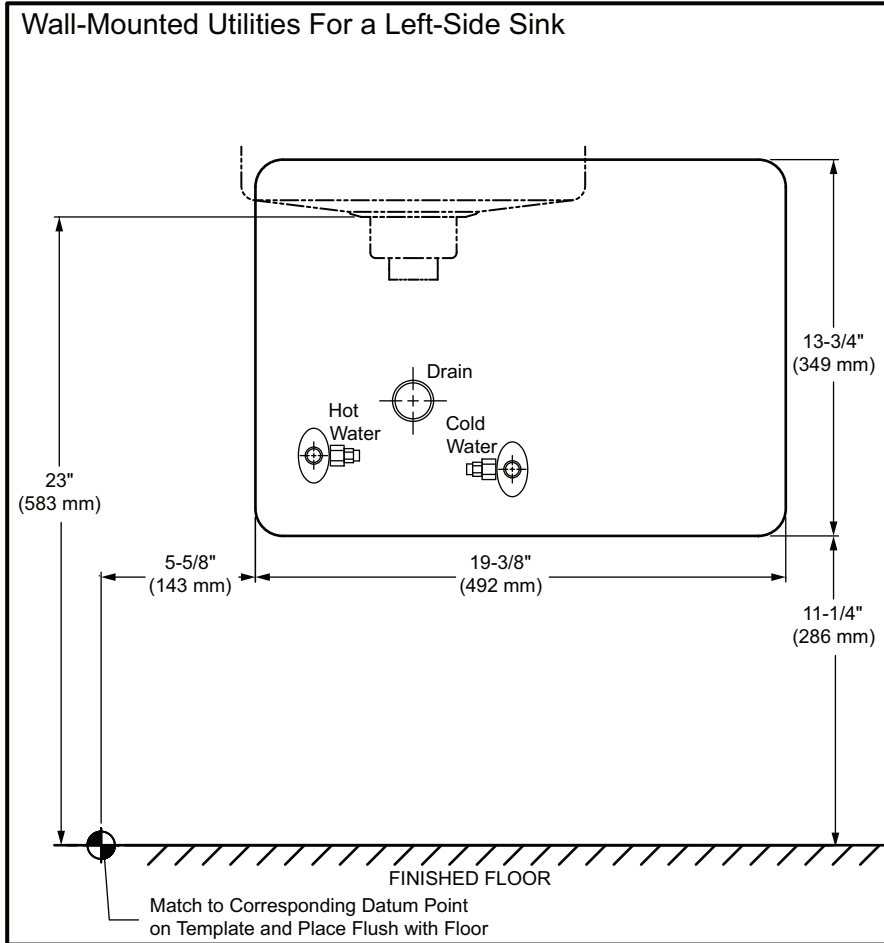


# 591 - 98" Treatment Console, Dual Sink

Available Space for Locating Utilities (as needed) in the Wall



**591 - 70" and 98" Treatment Console, Utilities/Back Panel**

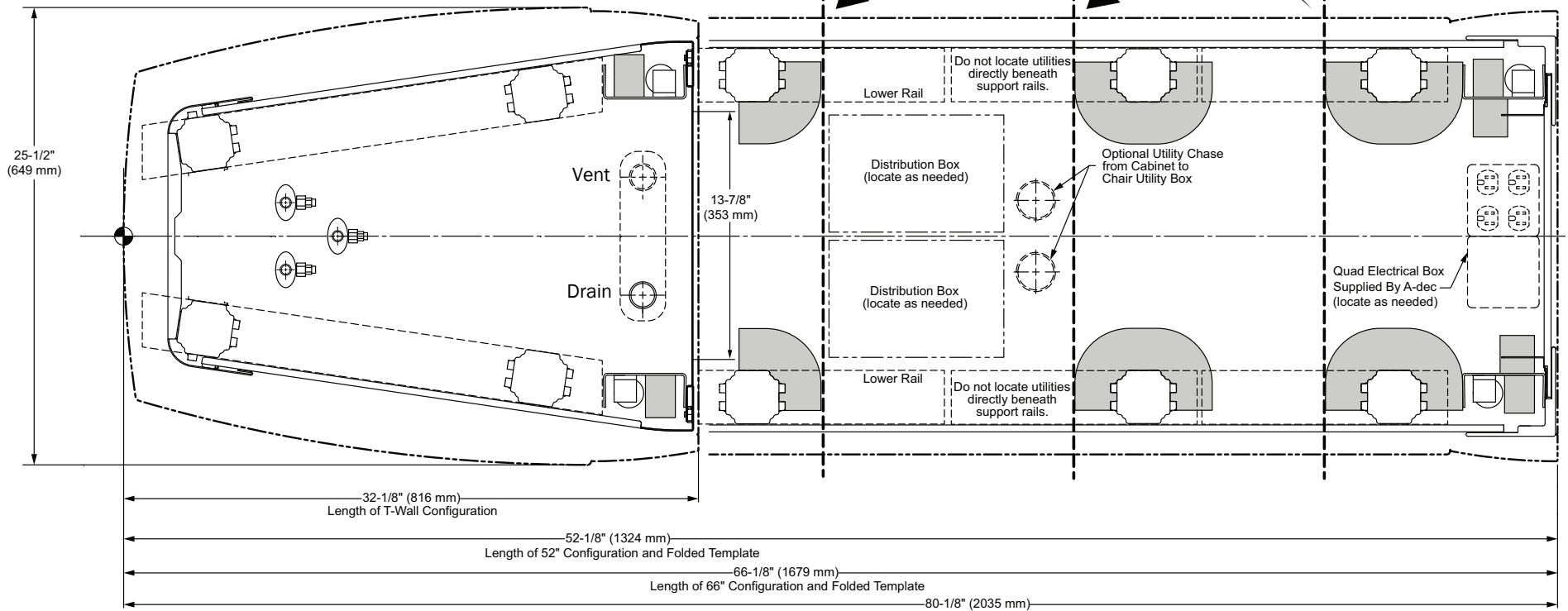


# 592 - 32" T-Wall and 52", 66", and 80" Mid Central Consoles

Note: See page 40 for details on 592 utilities.

FOLD AND ALIGN REAR DASHED LINE HERE FOR 52" CONFIGURATION

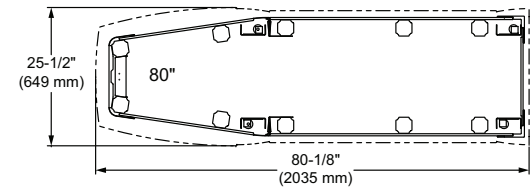
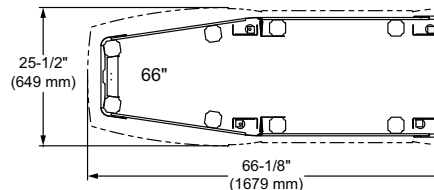
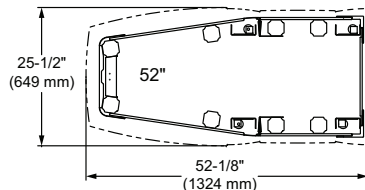
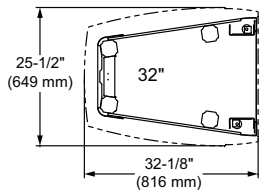
FOLD AND ALIGN REAR DASHED LINE HERE FOR 66" CONFIGURATION



Potential Anchor Locations

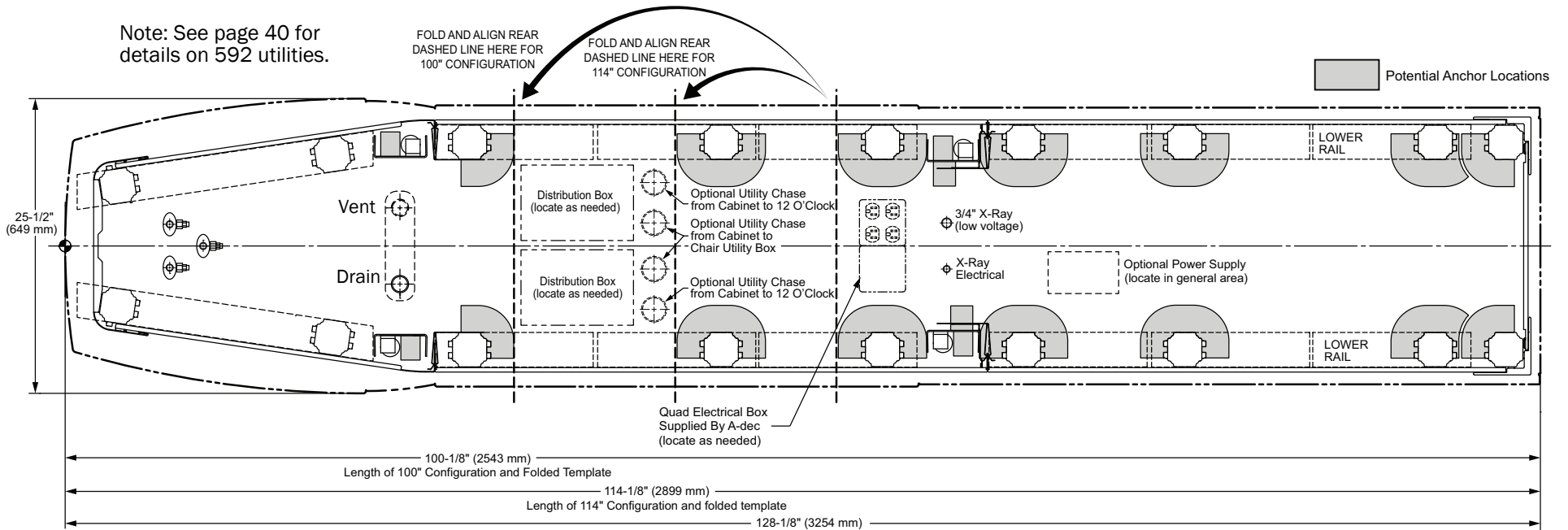
## DETAIL FOR DIFFERENT CABINET CONFIGURATIONS

Note:  
Location of feet is approximate. For specific feet locations see A-dec CAD blocks.

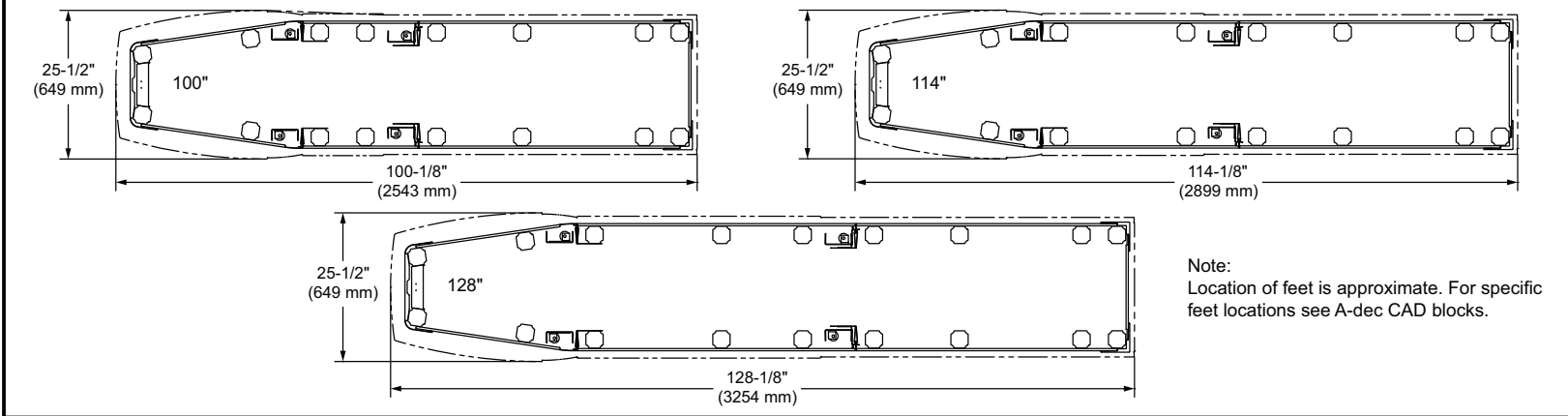


# 592 - 100", 114", and 128" Full Central Consoles

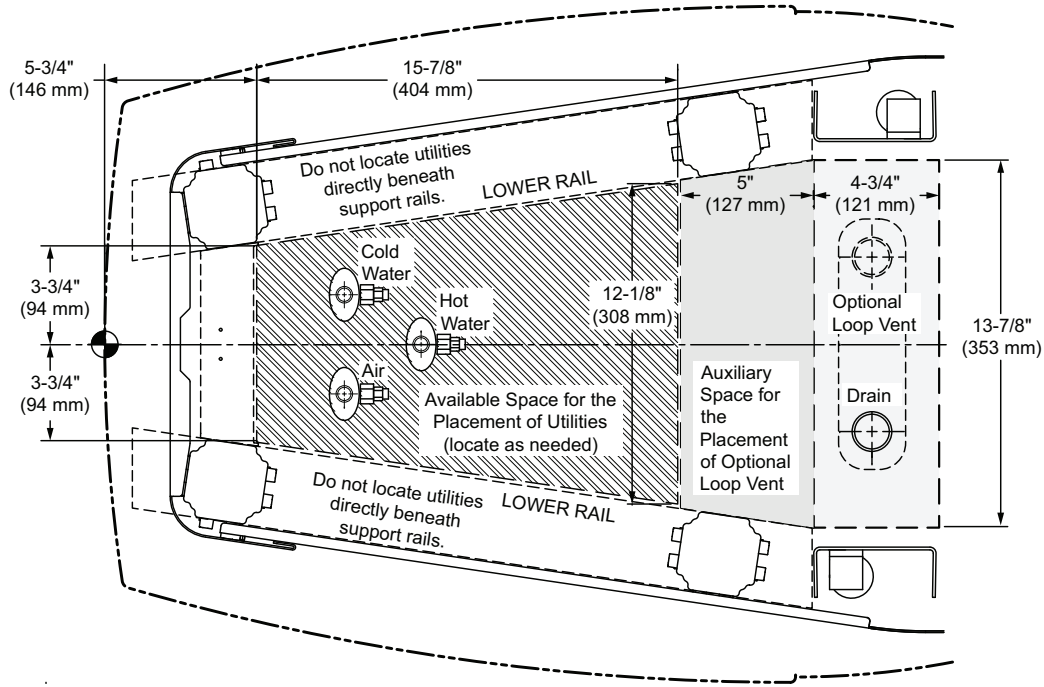
Note: See page 40 for details on 592 utilities.



## DETAIL FOR DIFFERENT CABINET CONFIGURATIONS



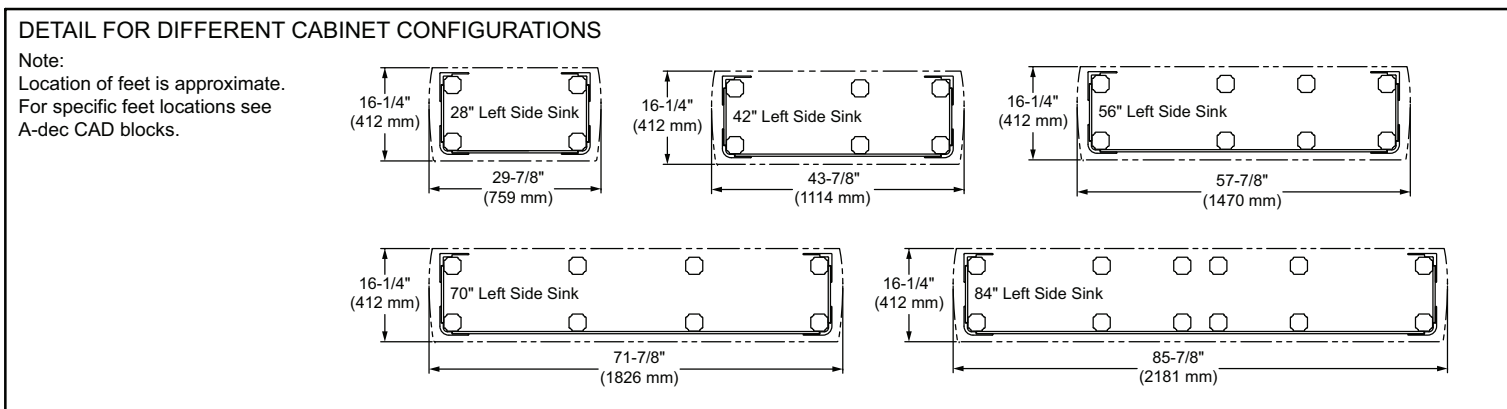
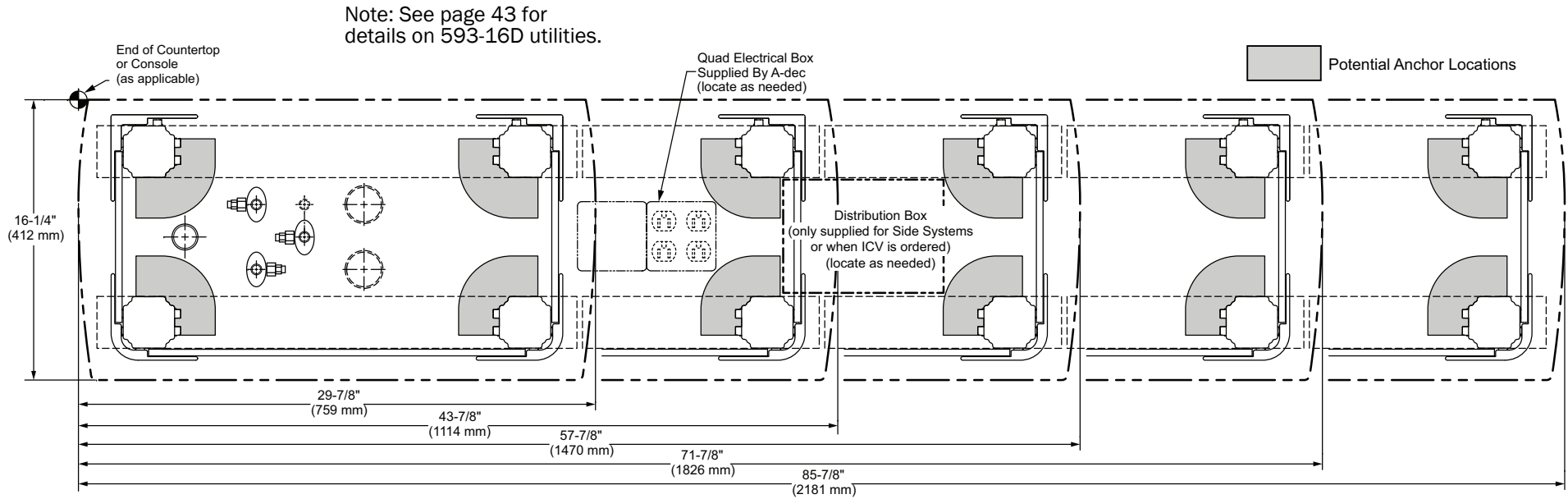
# 592 Central Console Utilities





## 593 Side Console, 16" Depth with Left Sink

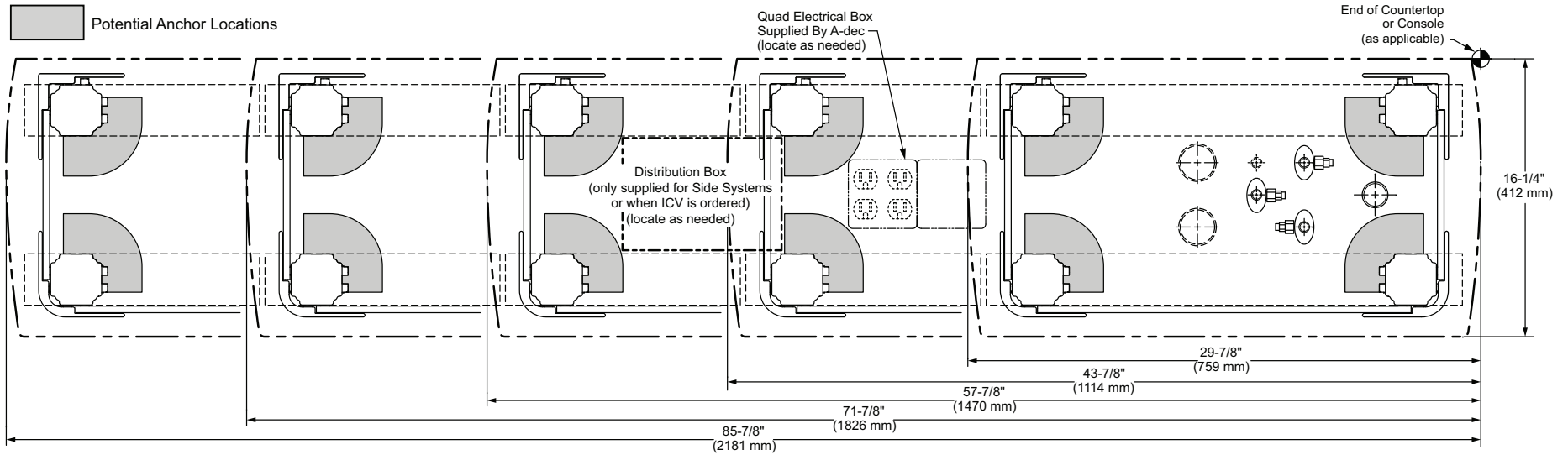
\* Diagram below shows widths for configurations with two curved end caps.  
**Additional end cap configuration widths**—One flat, one curved - subtract 3/4" from the dimensions below. Both flat - subtract 1-1/2" from the dimensions below.



# 593 Side Console, 16" Depth with Right Sink

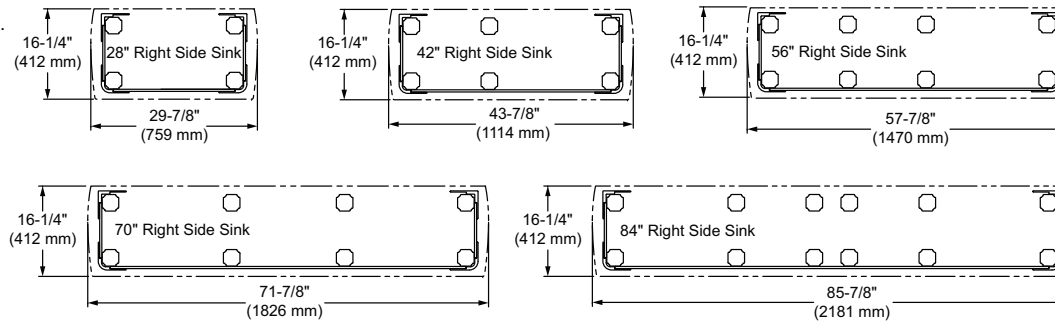
\* Diagram below shows widths for configurations with two curved end caps.  
**Additional end cap configuration widths**—One flat, one curved - subtract 3/4" from the dimensions below. Both flat - subtract 1-1/2" from the dimensions below.

**Note:** See page 43 for details on 593-16D utilities.



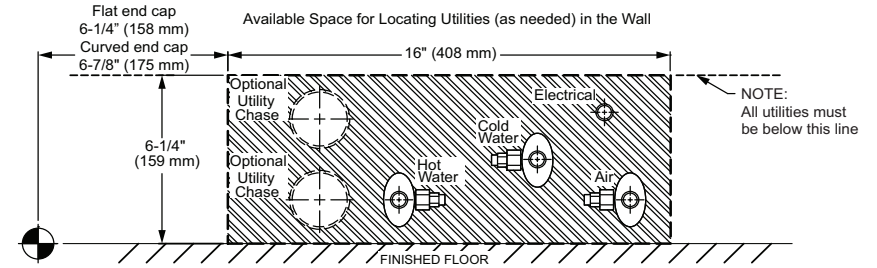
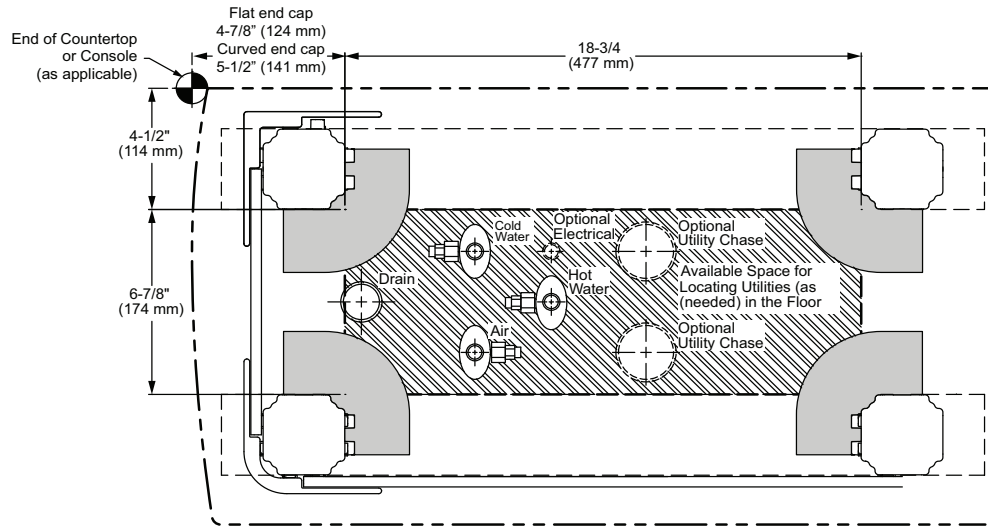
## DETAIL FOR DIFFERENT CABINET CONFIGURATIONS

Note:  
 Location of feet is approximate.  
 For specific feet locations see A-dec CAD blocks.

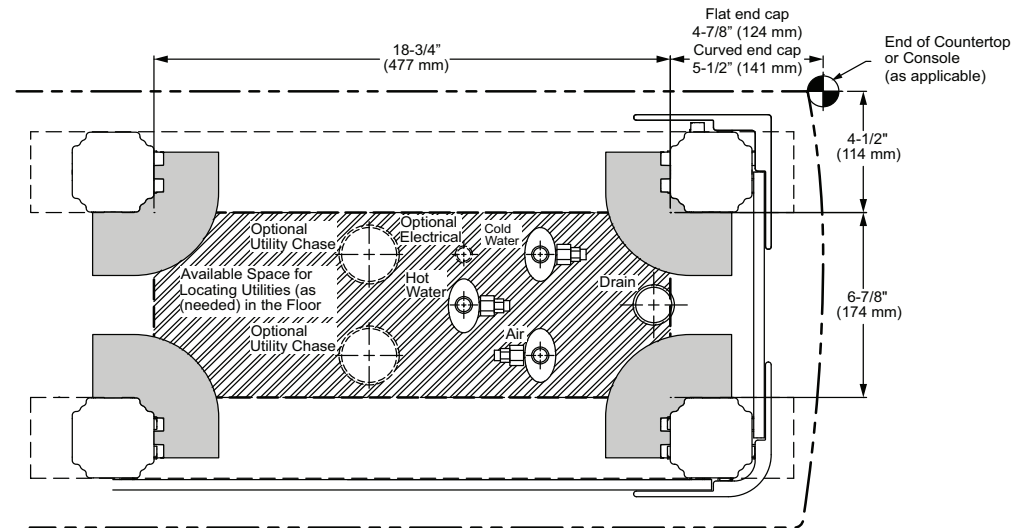
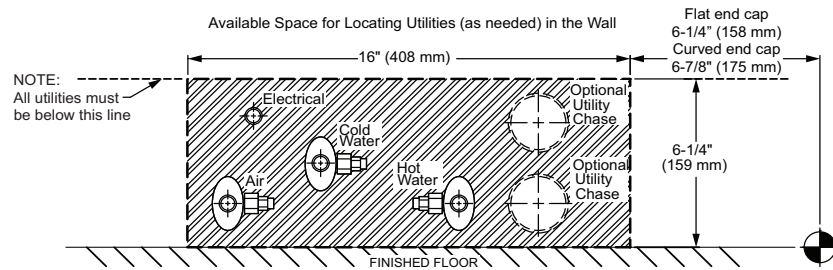


# 593 Side Console, 16" Depth/Utilities

## 593 - 16" Depth Left Side Sink Utilities Placement



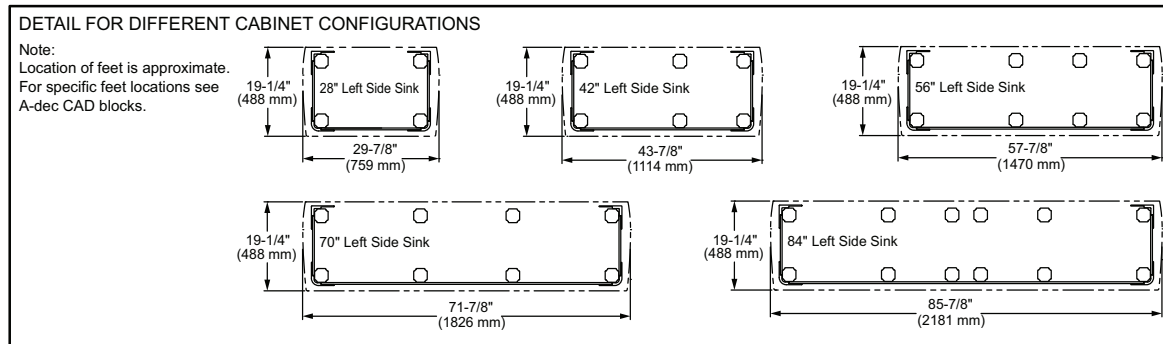
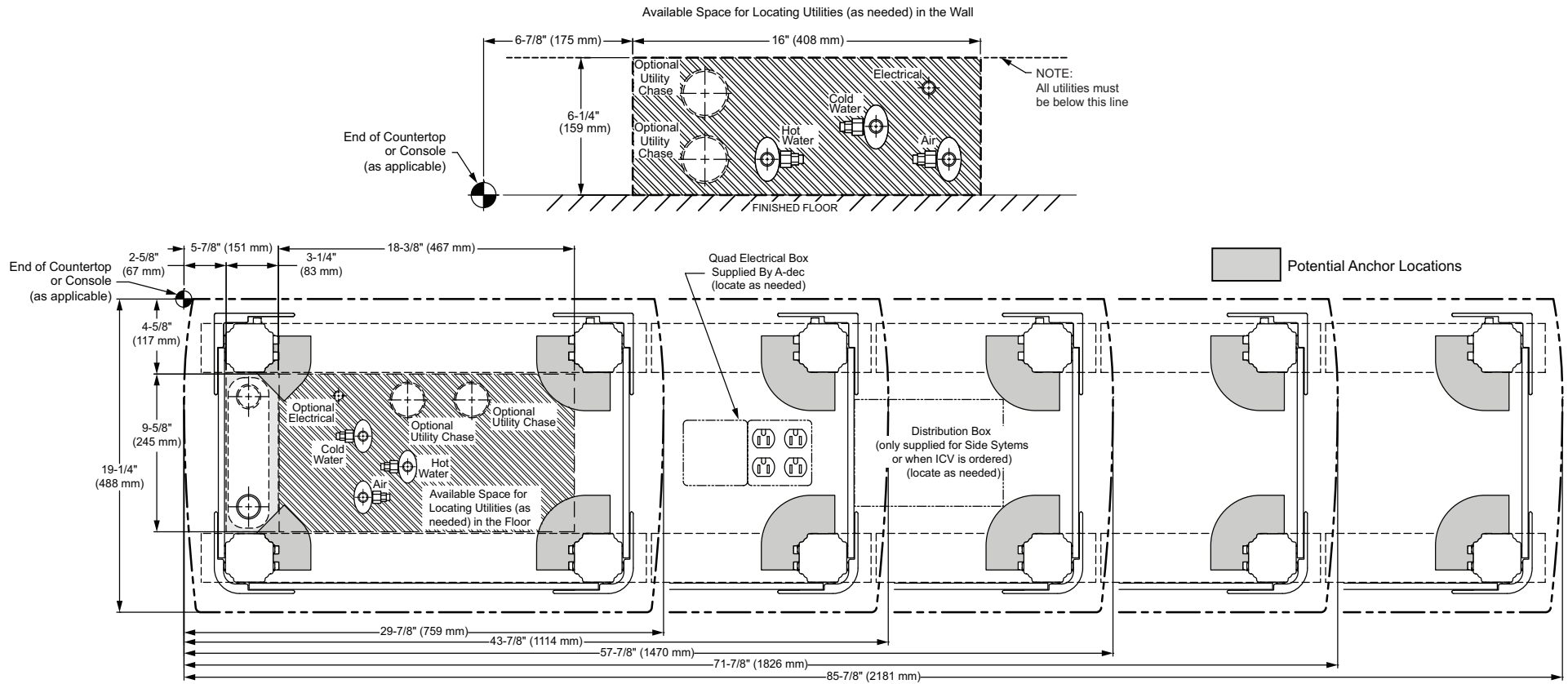
## 593 - 16" Depth Right Side Sink Utilities Placement



## 593 Side Console, 19" Depth with Left Sink

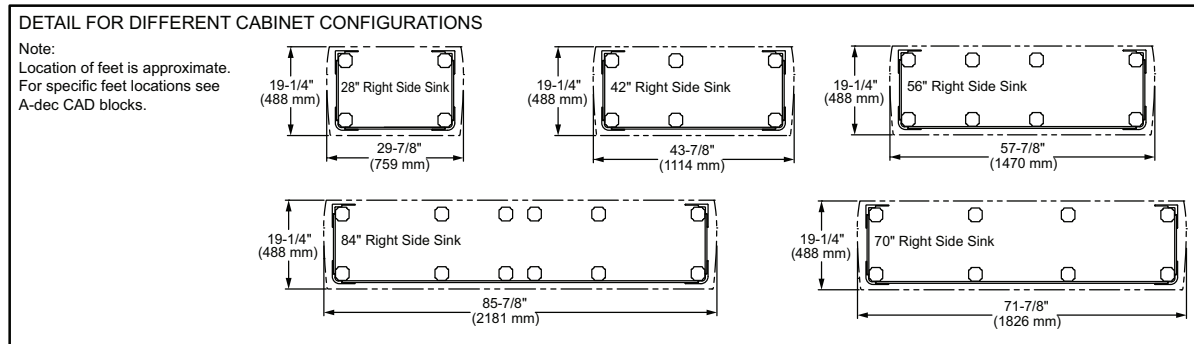
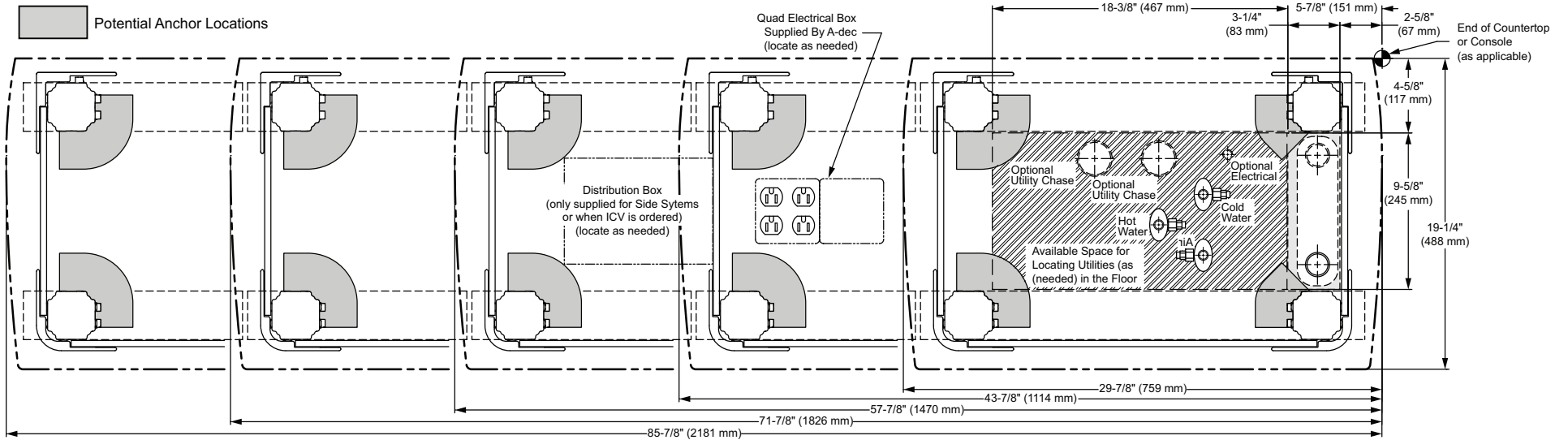
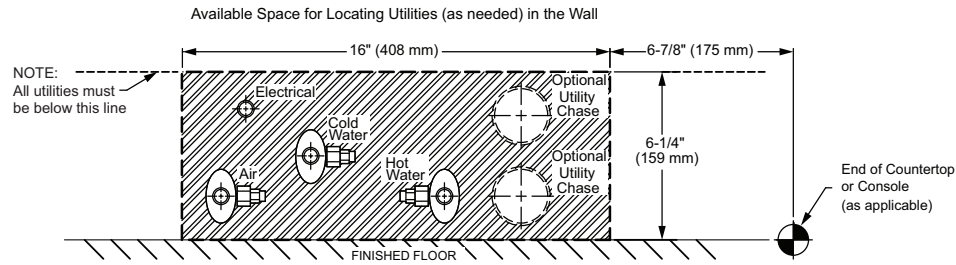
\*Diagram below shows widths for configurations with two curved end caps.

**Additional end cap configuration widths**—One flat, one curved - subtract 3/4" from the dimensions below. Both flat - subtract 1-1/2" from the dimensions below.

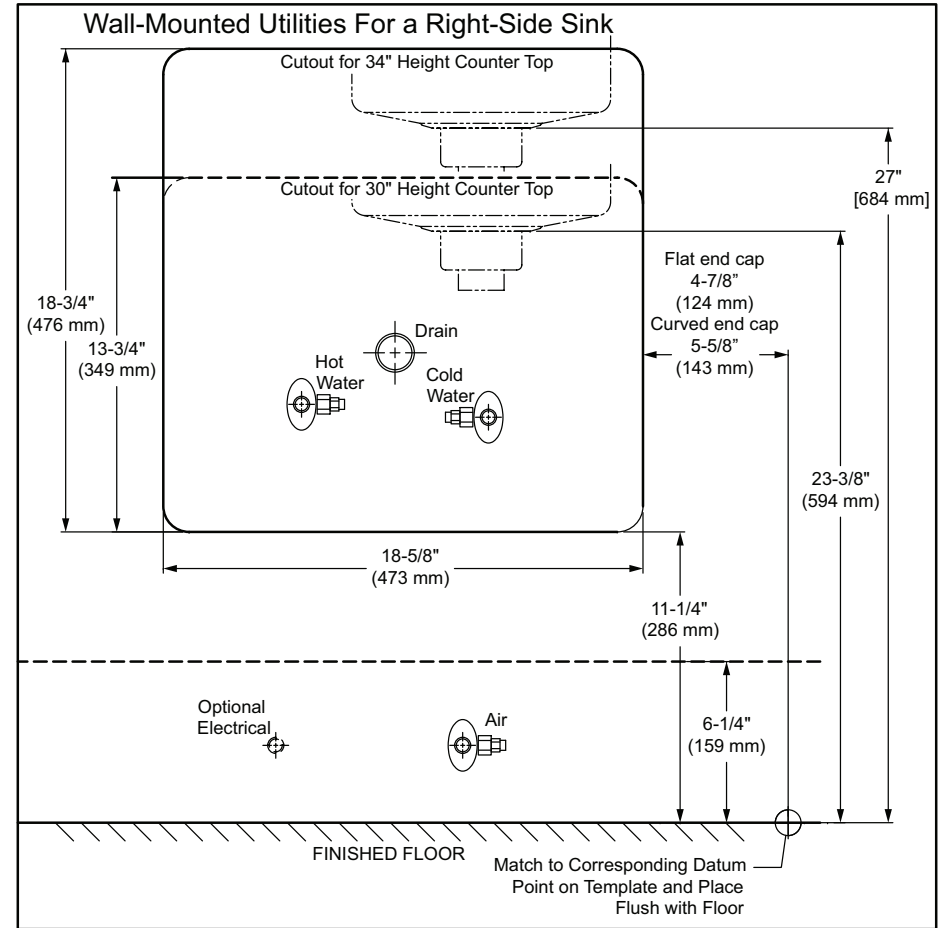
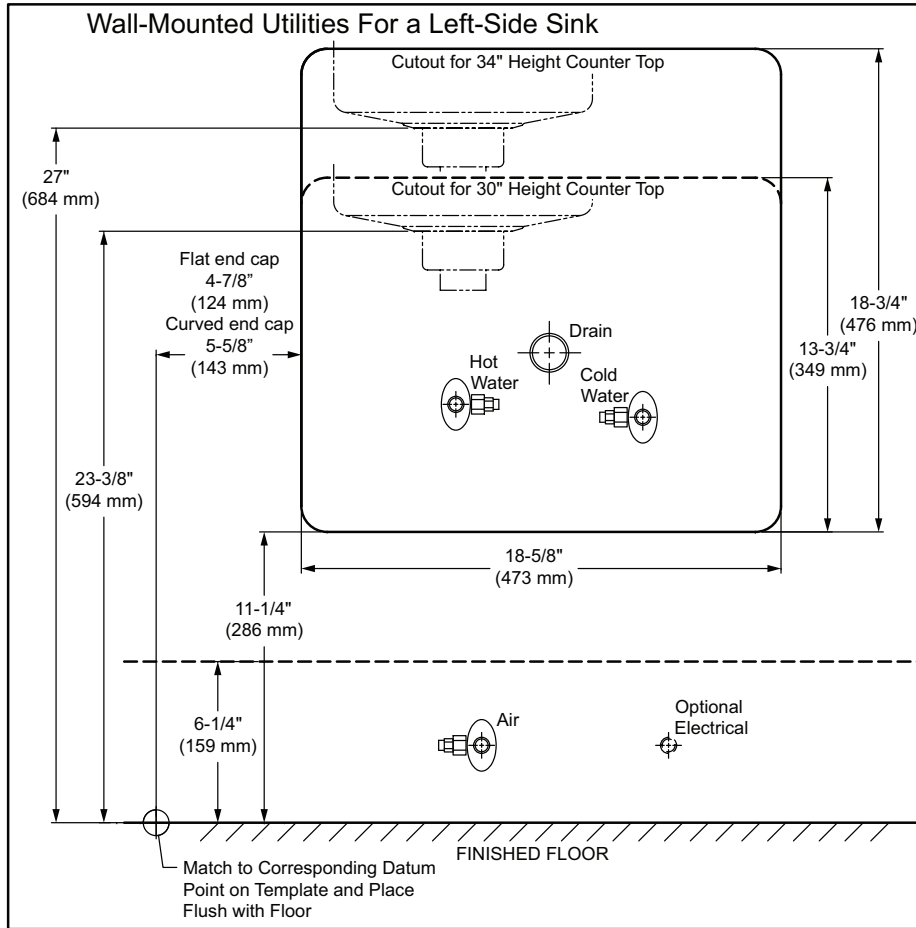


# 593 Side Console, 19" Depth with Right Sink

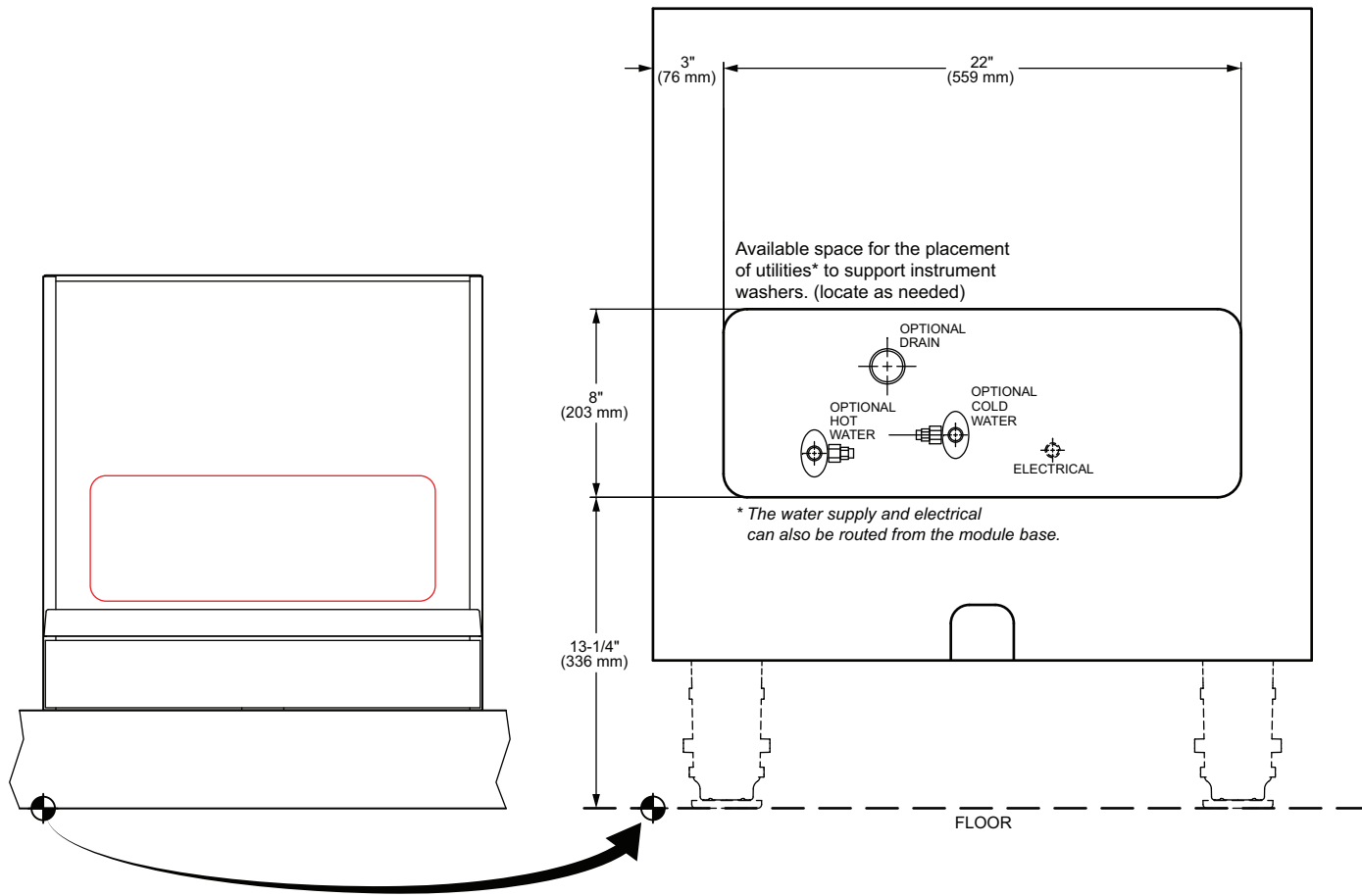
\* Diagram below shows widths for configurations with two curved end caps.  
**Additional end cap configuration widths**—One flat, one curved - subtract 3/4" from the dimensions below. Both flat - subtract 1-1/2" from the dimensions below.



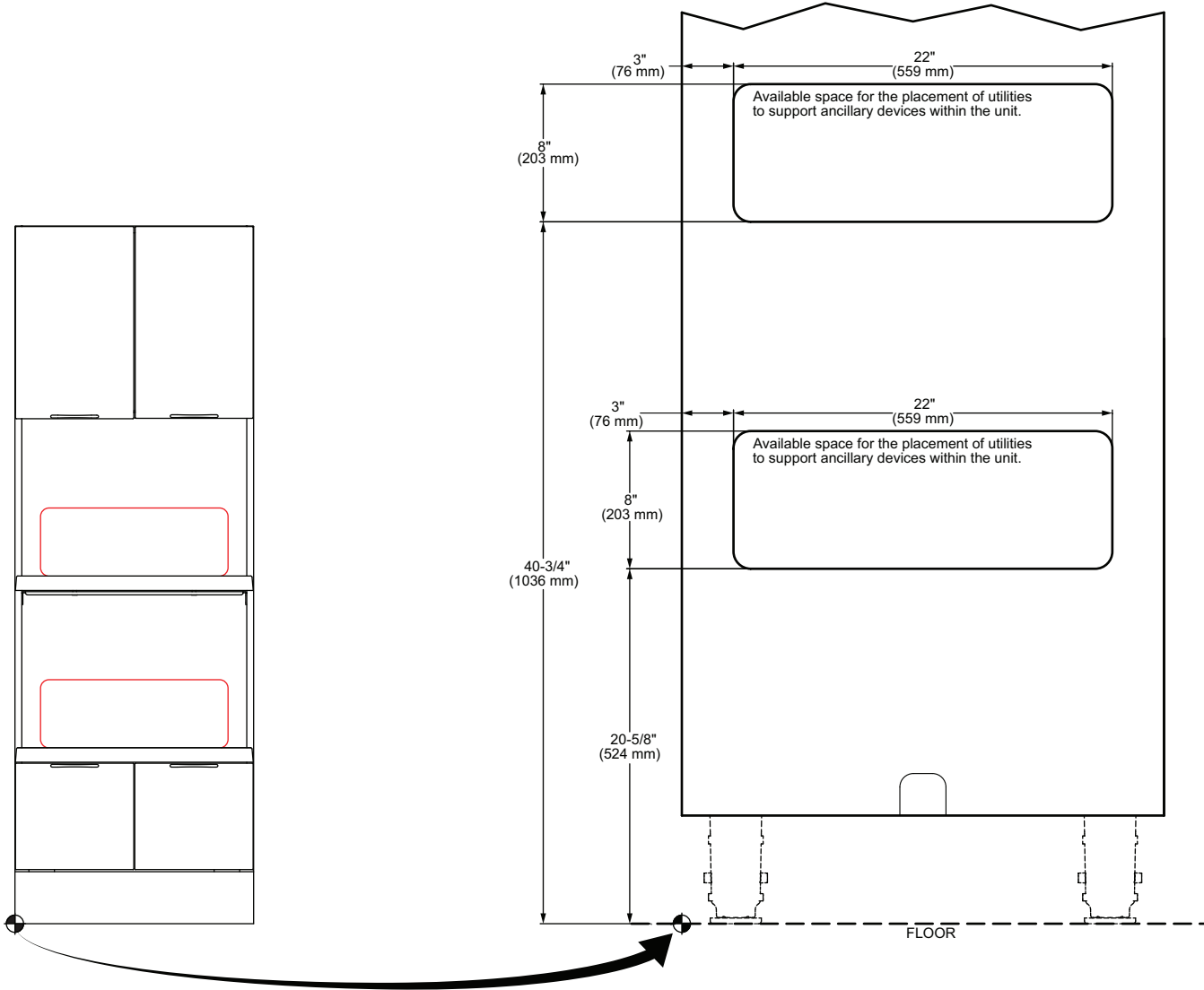
## 593 Side Console, Utilities/Back Panel



# 594 Sterilization Center, Instrument Washer Module EQ4204, Utilities/Back Panel

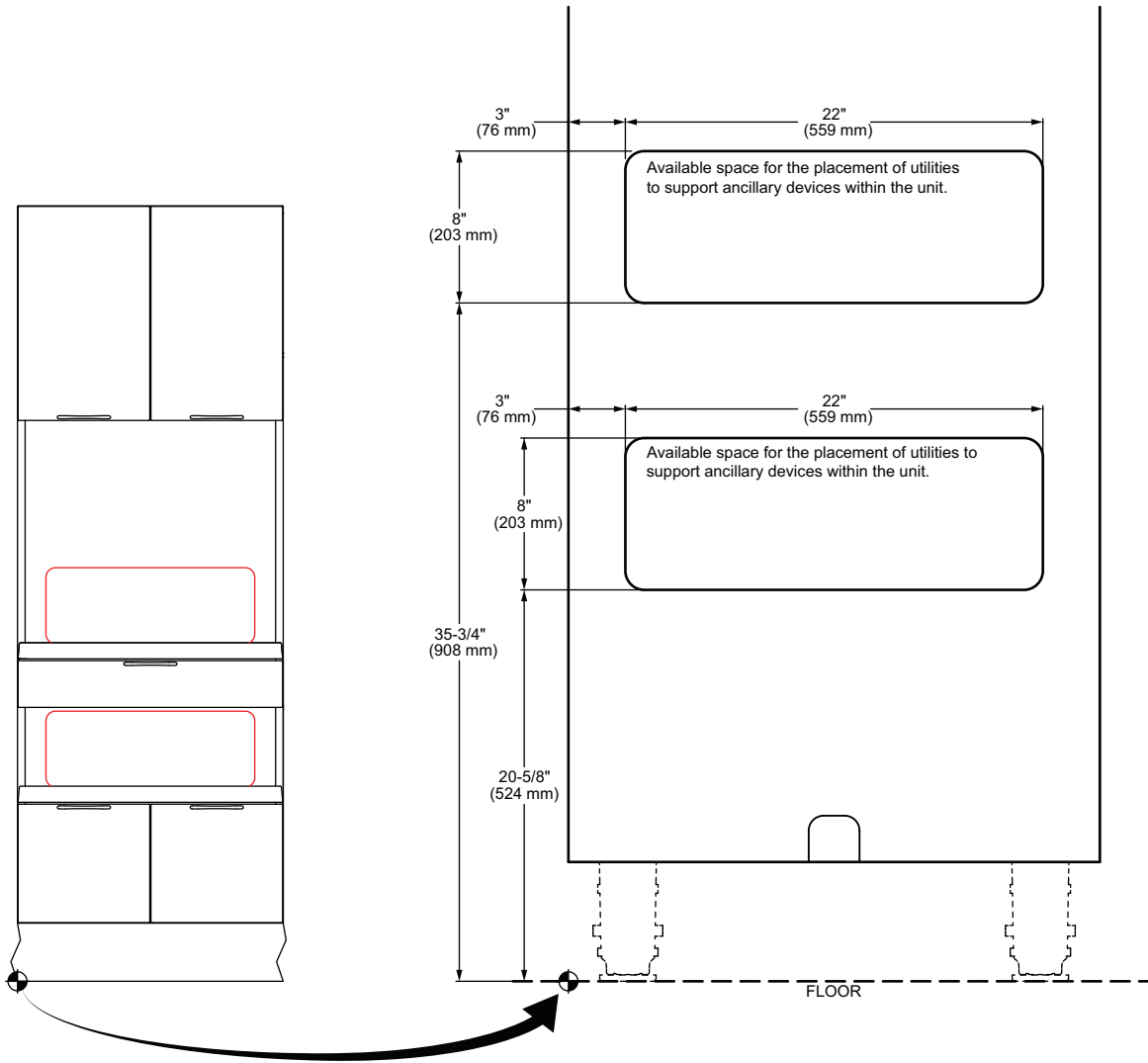


# 594 Sterilization Center, Tower Modules TW4001 and TW4005, Utilities/Back Panel

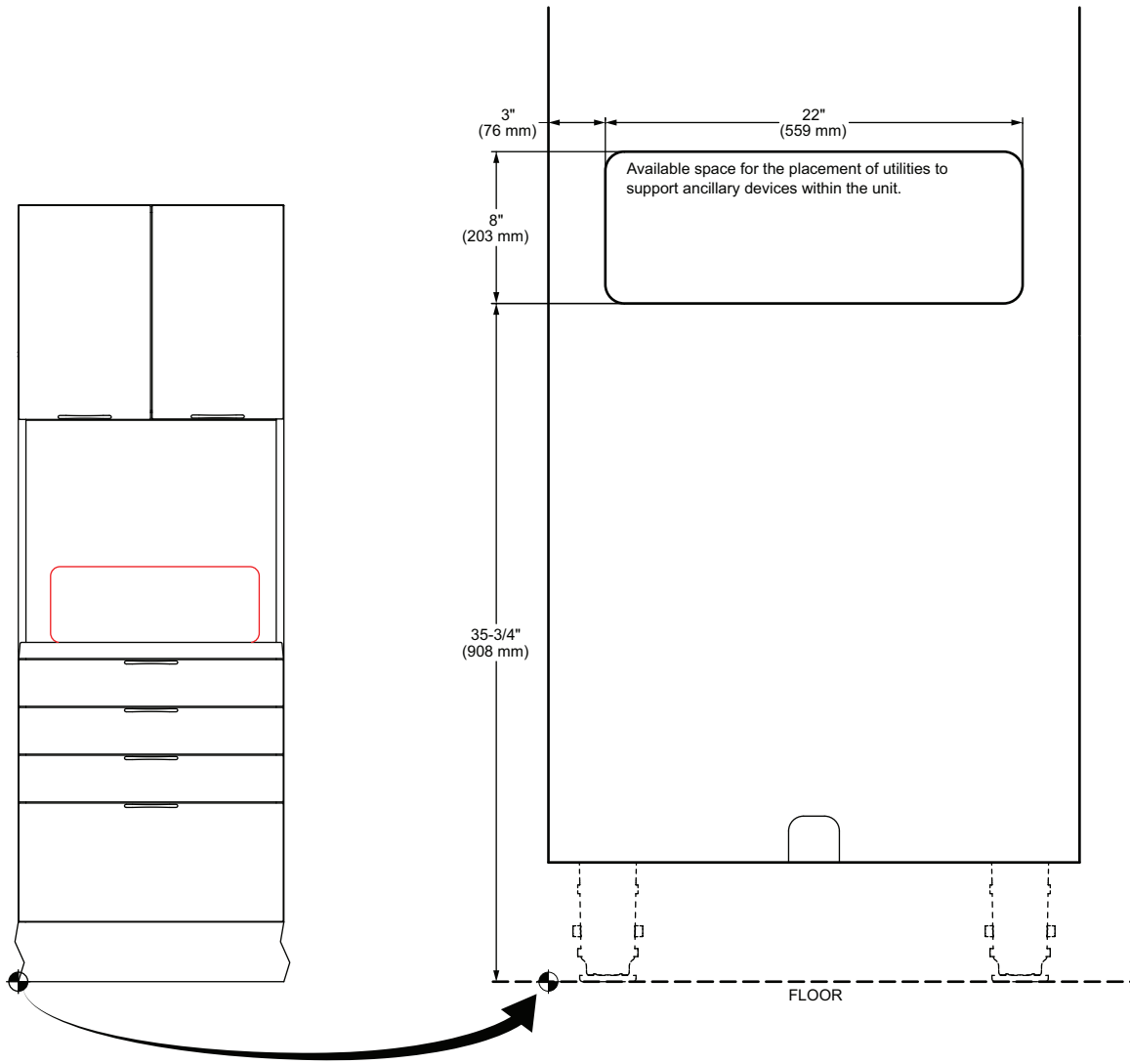




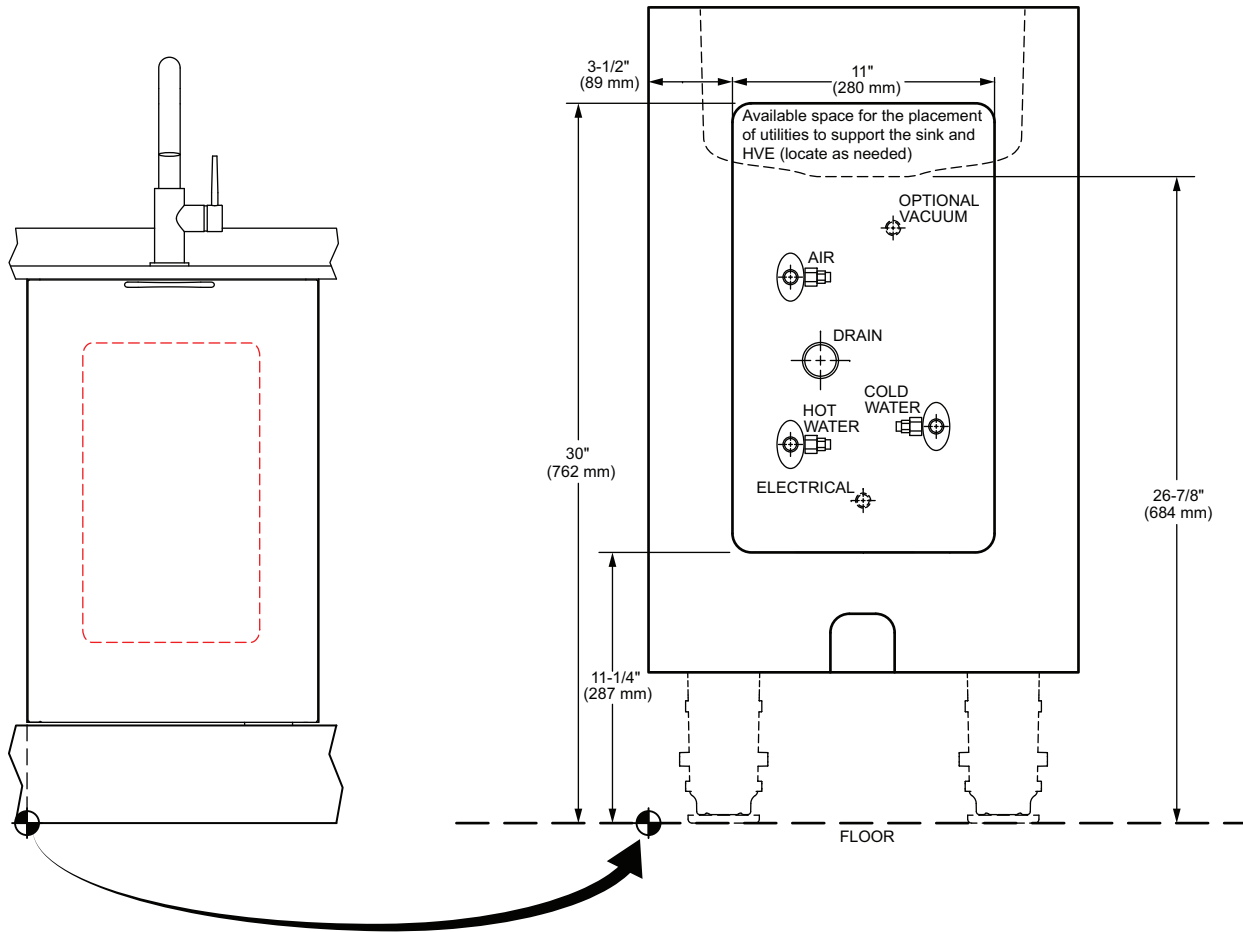
# 594 Sterilization Center, Tower Modules TW4002 and TW4006, Utilities/Back Panel



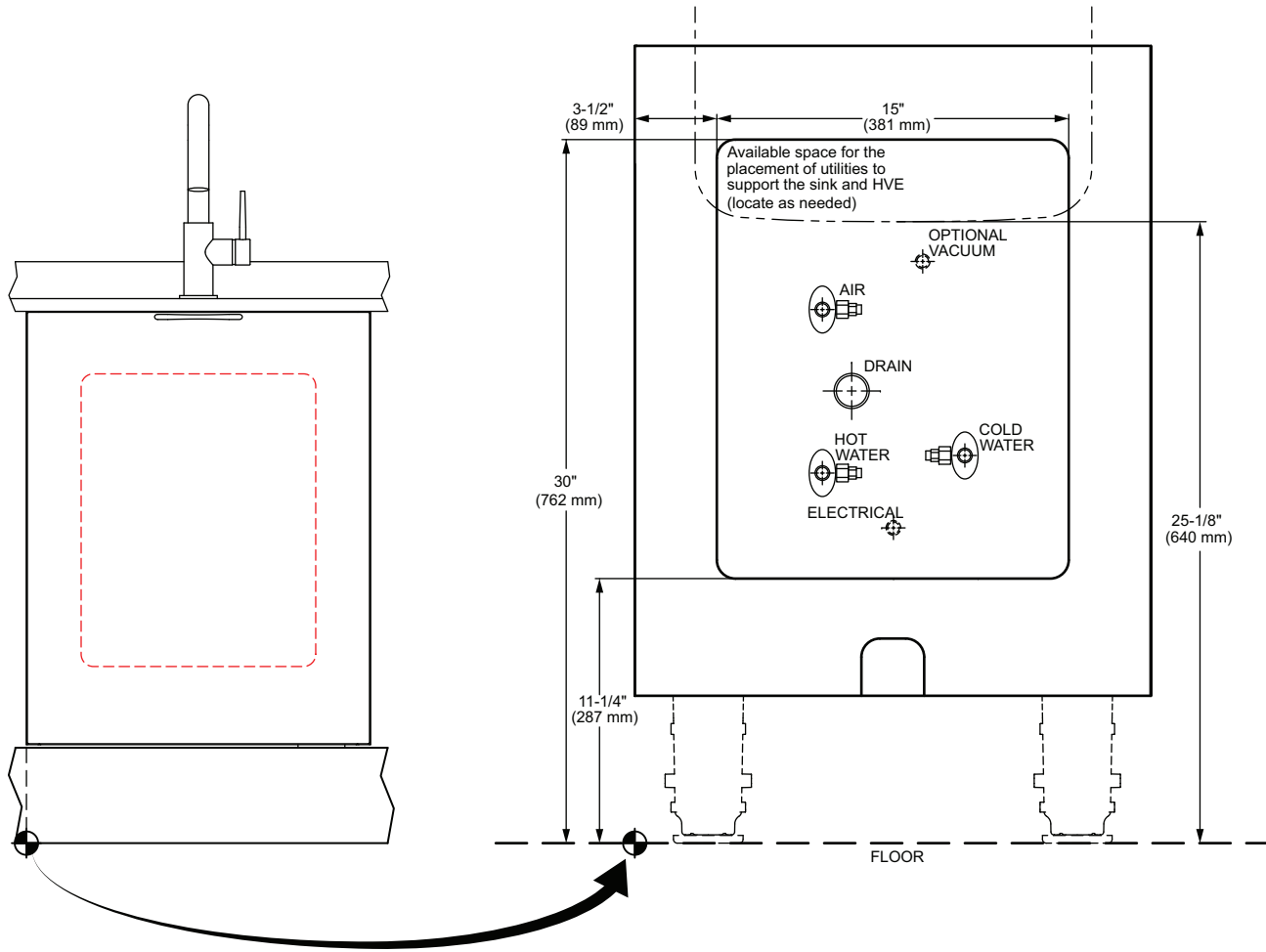
# 594 Sterilization Center, Tower Modules TW4003 and TW4007, Utilities/Back Panel



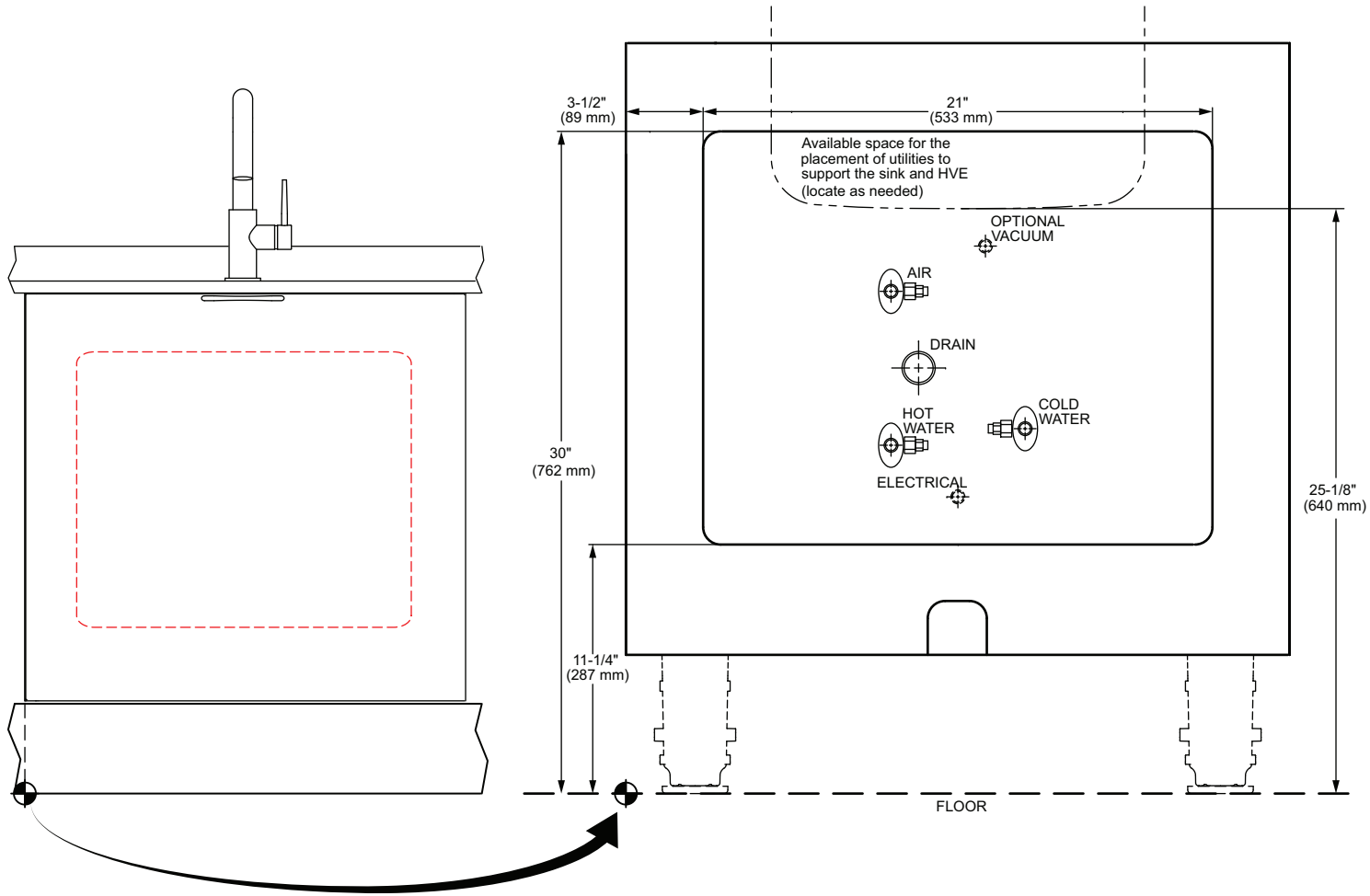
# 594 Sterilization Center, 18" Sink Module



# 594 Sterilization Center, 22" Sink Module

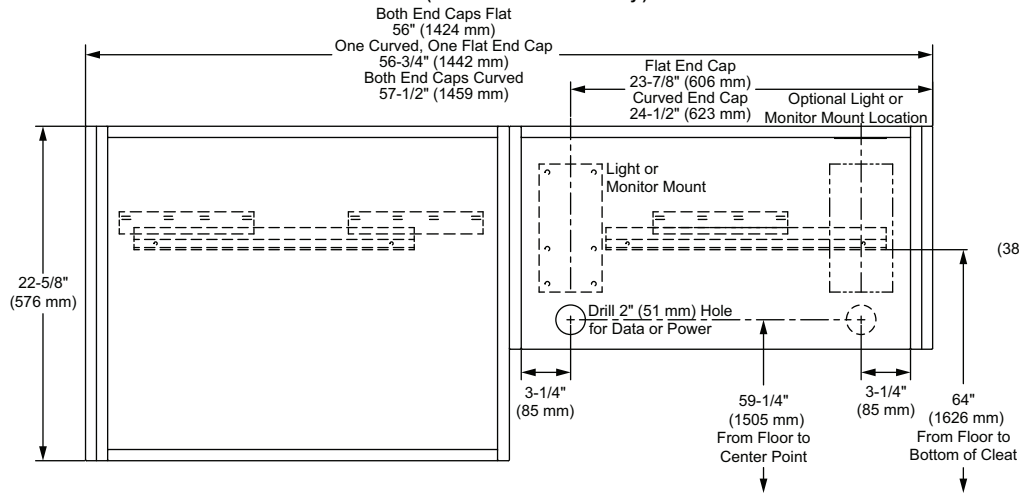


# 594 Sterilization Center, 28" Sink Module

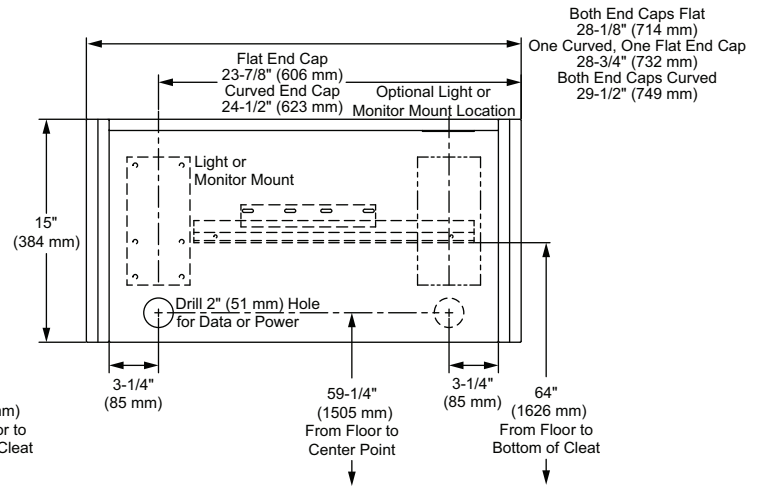


# 595 Wall Mounted Cabinet, 28" and 56" Modules

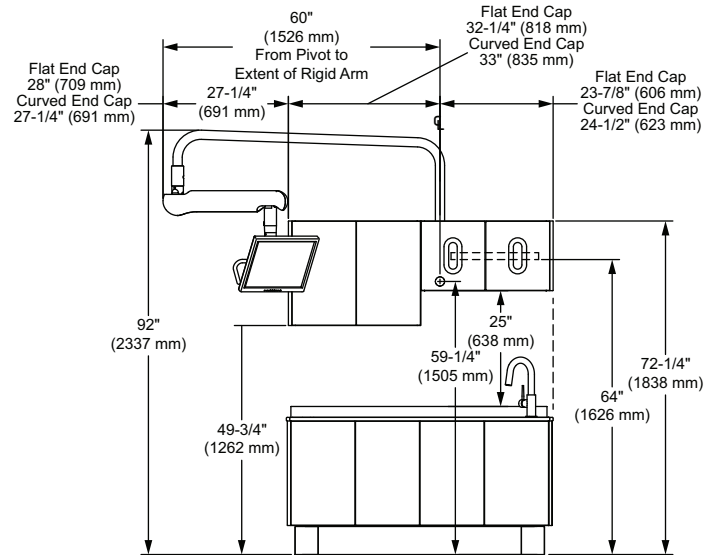
**A-DEC INSPIRE 595 56" STORAGE AND DISPENSER WALL-MOUNTED CABINET**  
(Doors not shown for clarity.)



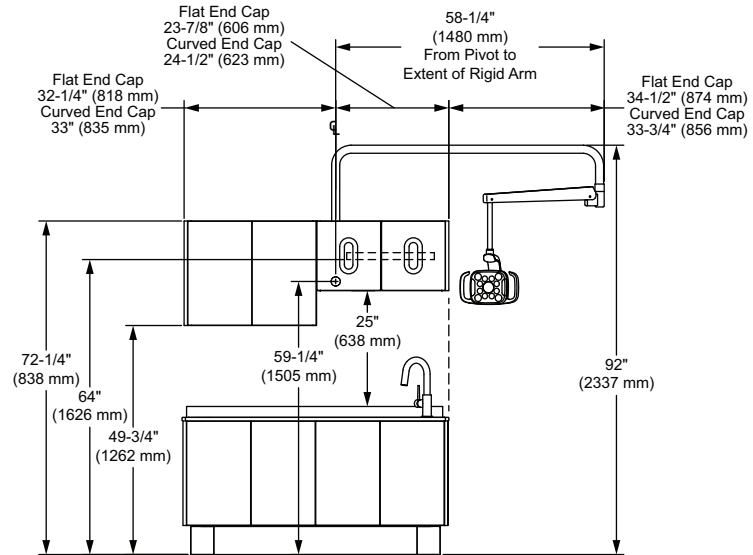
**A-DEC INSPIRE 595 28" DISPENSER WALL-MOUNTED CABINET**  
(Doors not shown for clarity.)



**A-DEC INSPIRE 595 56" STORAGE AND DISPENSER WALL-MOUNTED CABINET WITH A-DEC 585 MONITOR MOUNT**



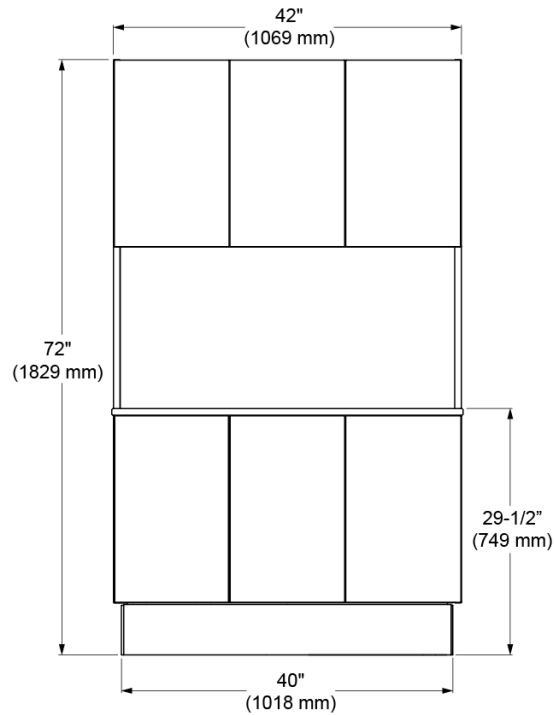
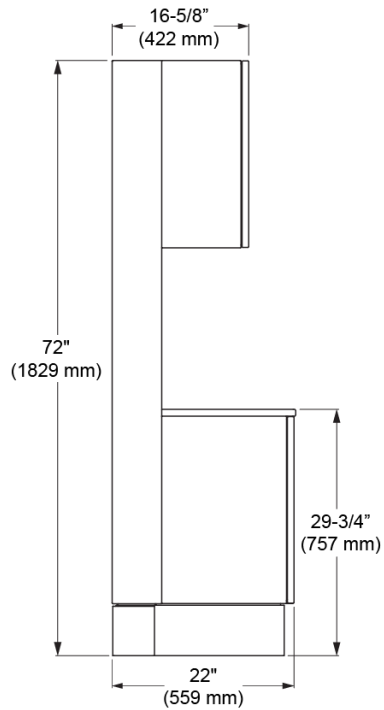
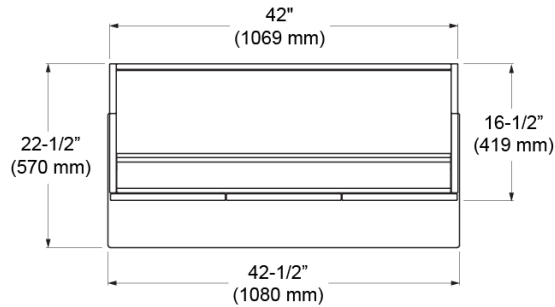
**A-DEC INSPIRE 595 56" STORAGE AND DISPENSER WALL-MOUNTED CABINET WITH A-DEC 575 DENTAL LIGHT**



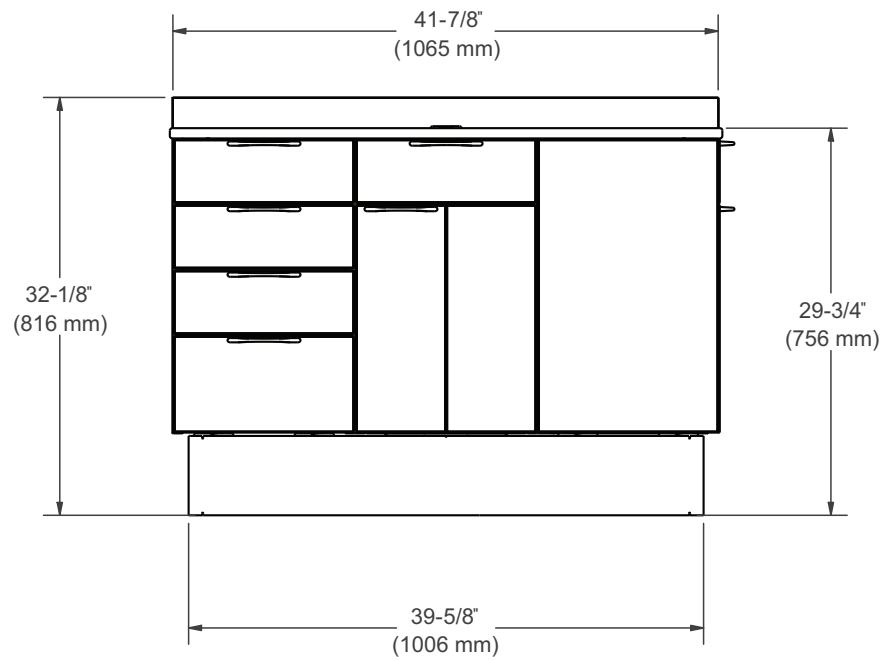
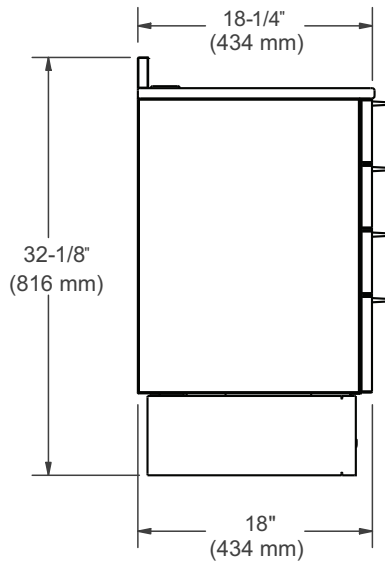
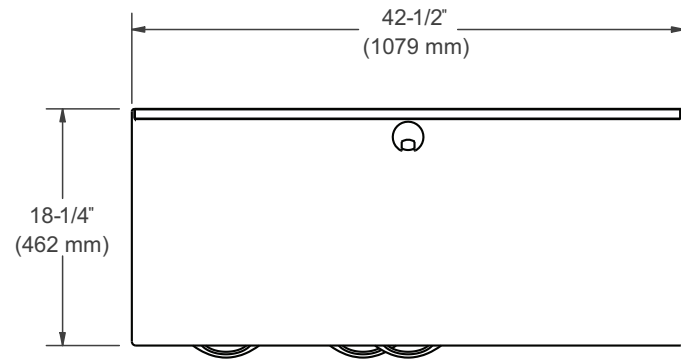
# General Dimensions

Each A-dec Inspire cabinet offers a variety of customizations that can impact overall dimensions. Only use the following examples as representations of potential cabinet configurations. For the most accurate dimensions for specific cabinet orders, consult with the A-dec territory manager and authorized A-dec dealer sales representative in conjunction with the A-dec ordering system and quote packet, which provides complete details (including mini-templates as well as plan and elevation drawings) of each configured cabinet.

## 391 - 42" Consoles



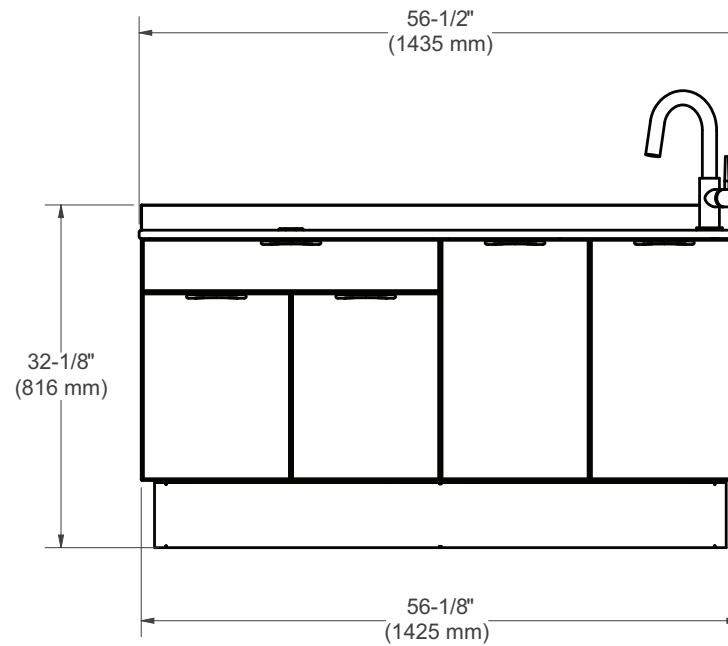
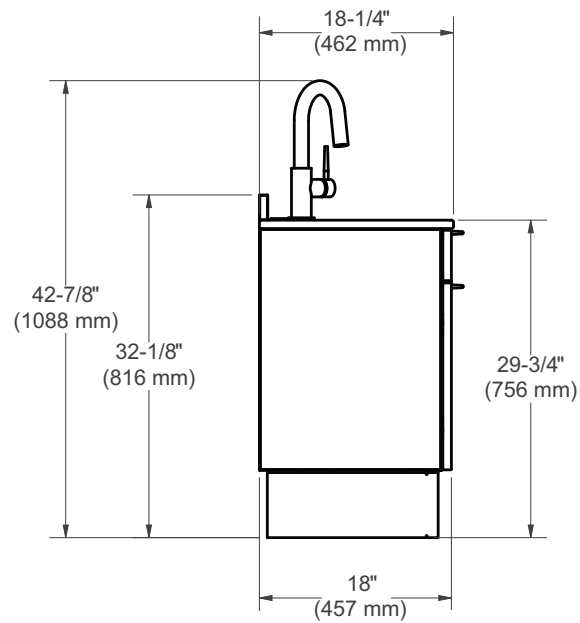
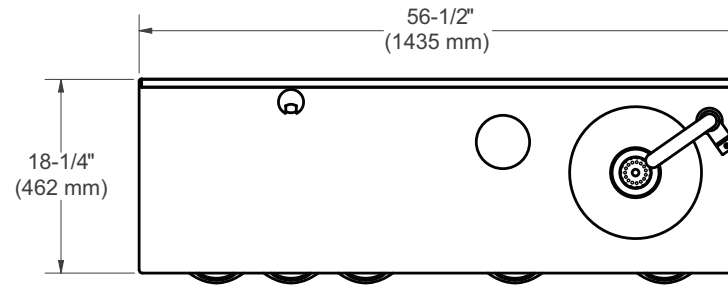
## 393 - 42" Consoles



393 - 42" Treatment Console Shown

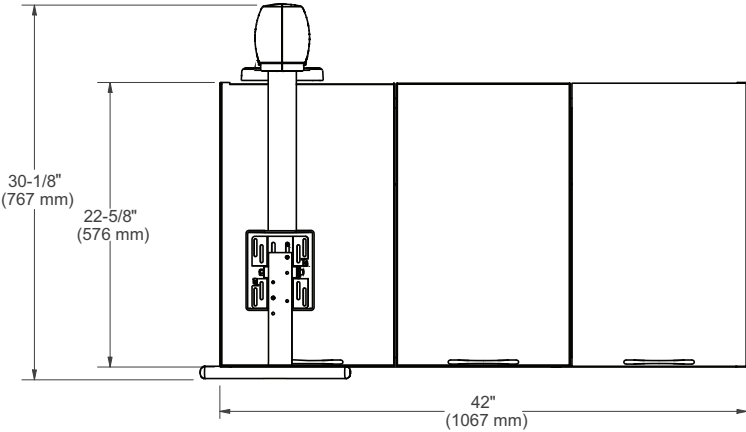
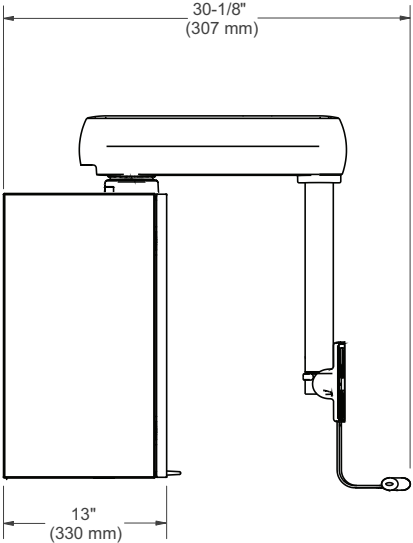
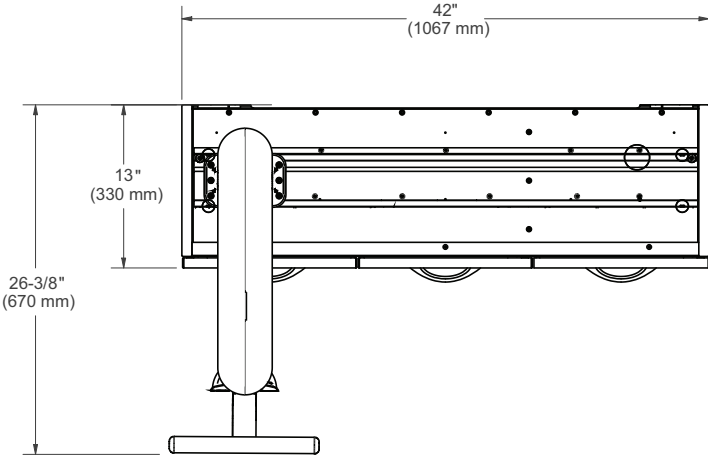


## 393 - 56" Consoles



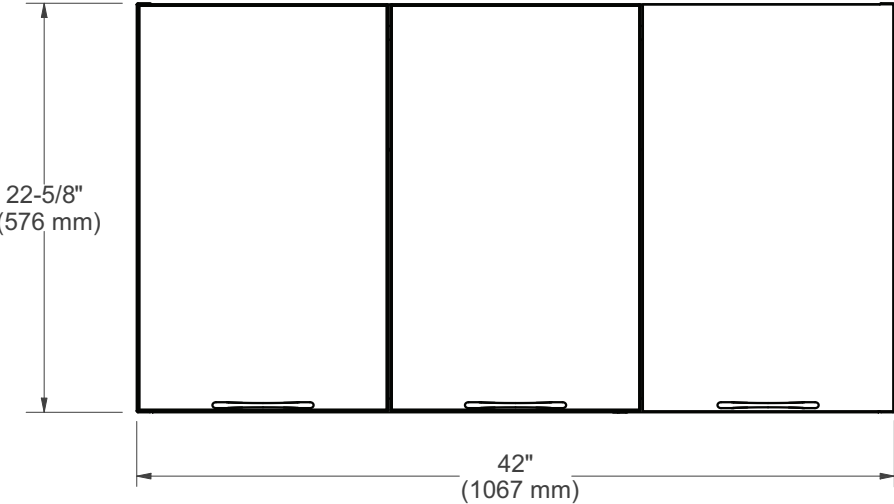
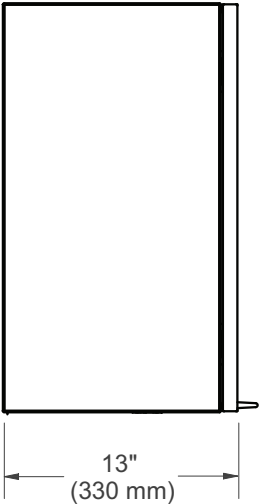
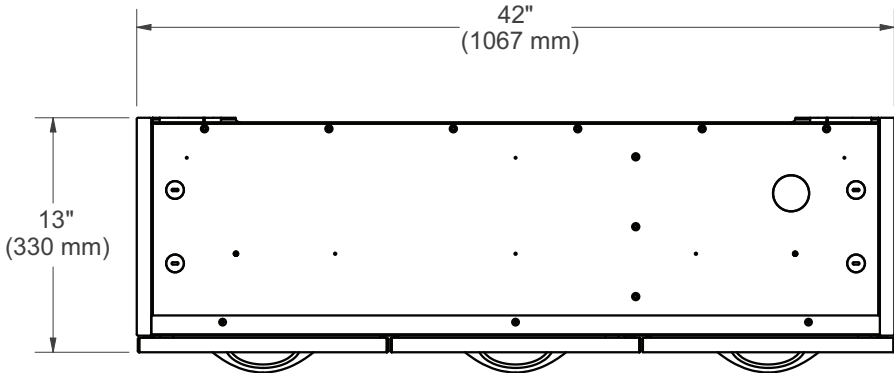
393 - 56" Side Console Shown

# 395 Wall-Mounted Cabinets



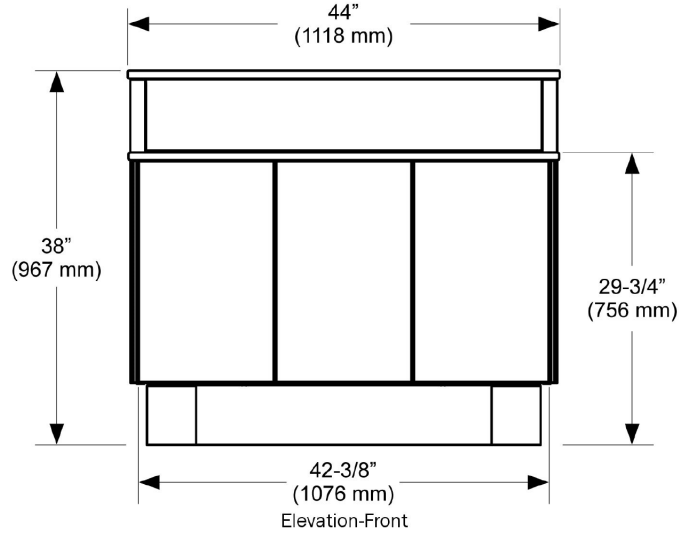
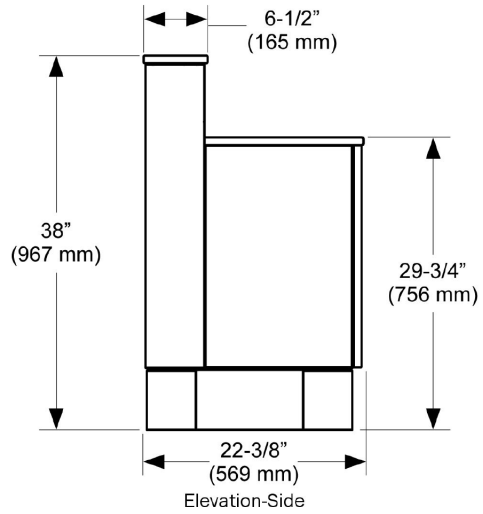
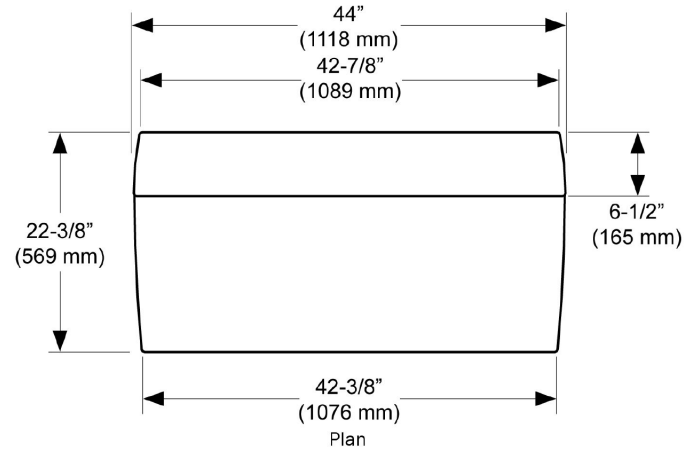
395 Treatment Cabinet Shown

# 395 Wall-Mounted Cabinets

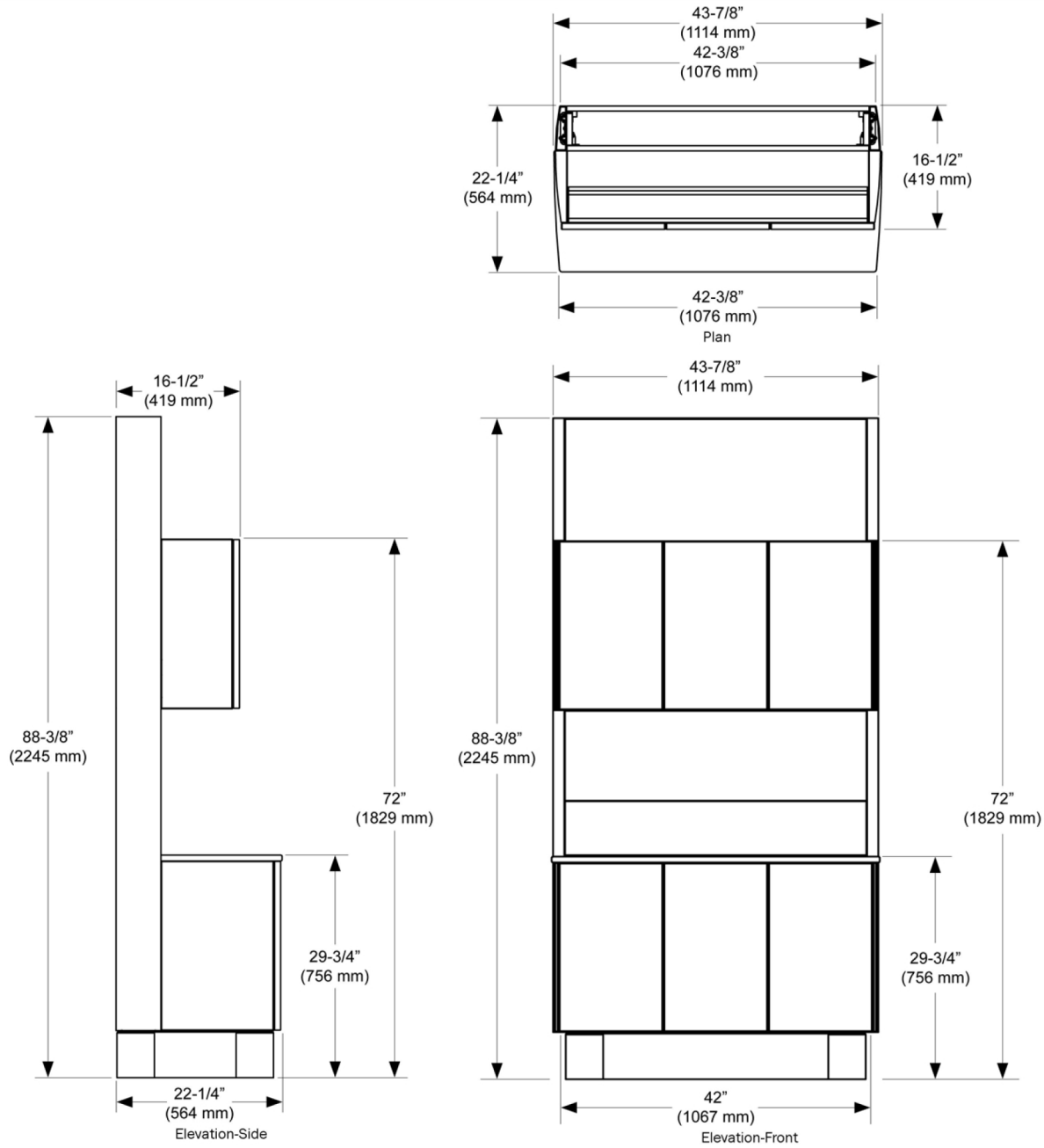


395 Storage Cabinet Shown

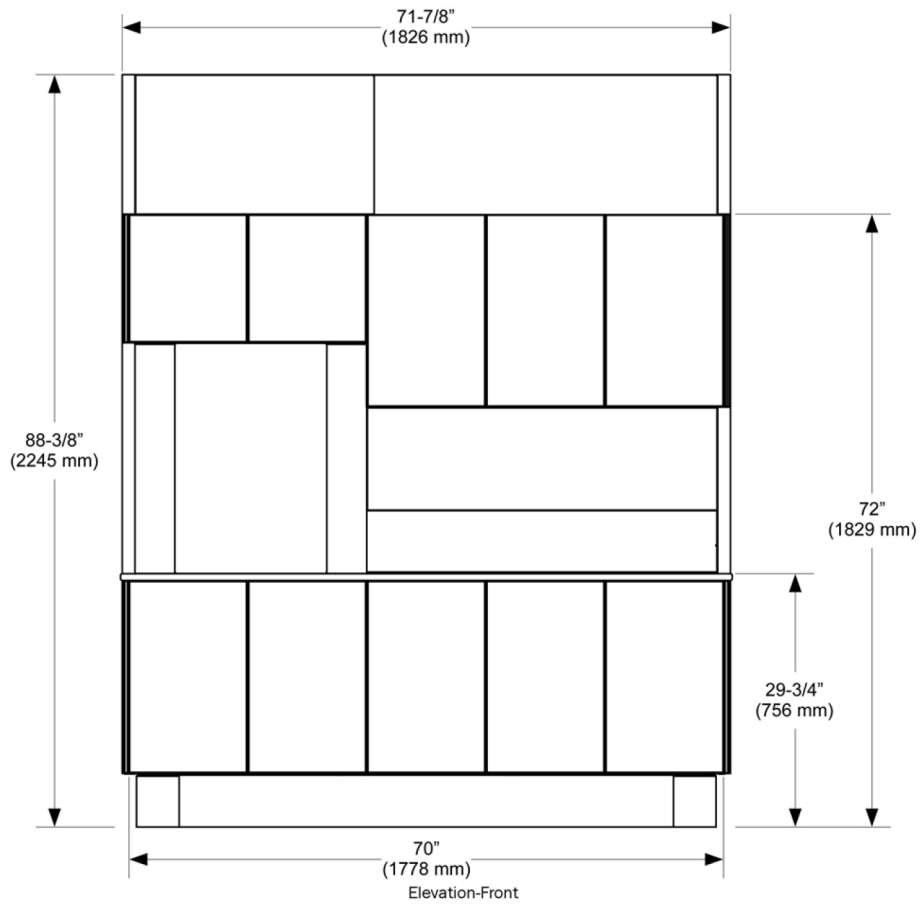
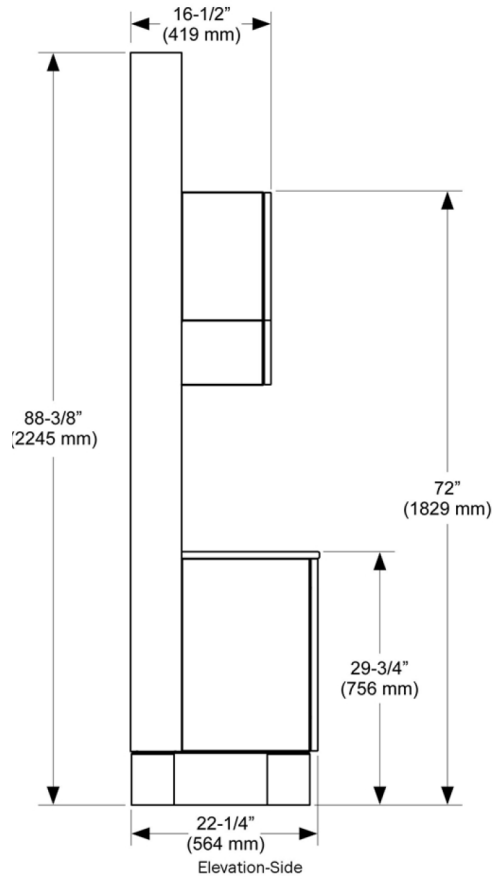
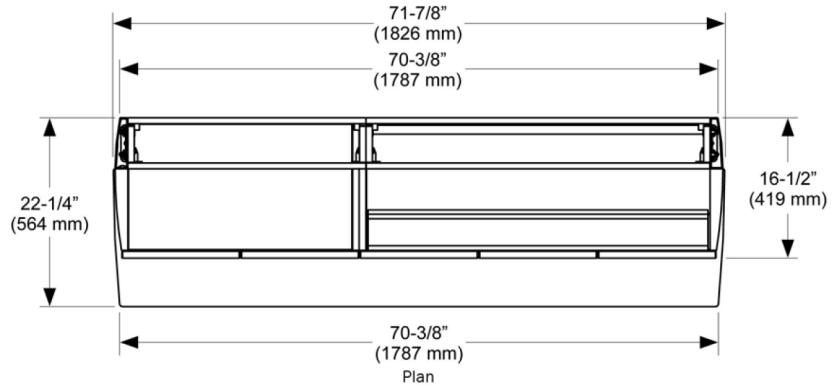
# 591 - 42" Lower Treatment Console



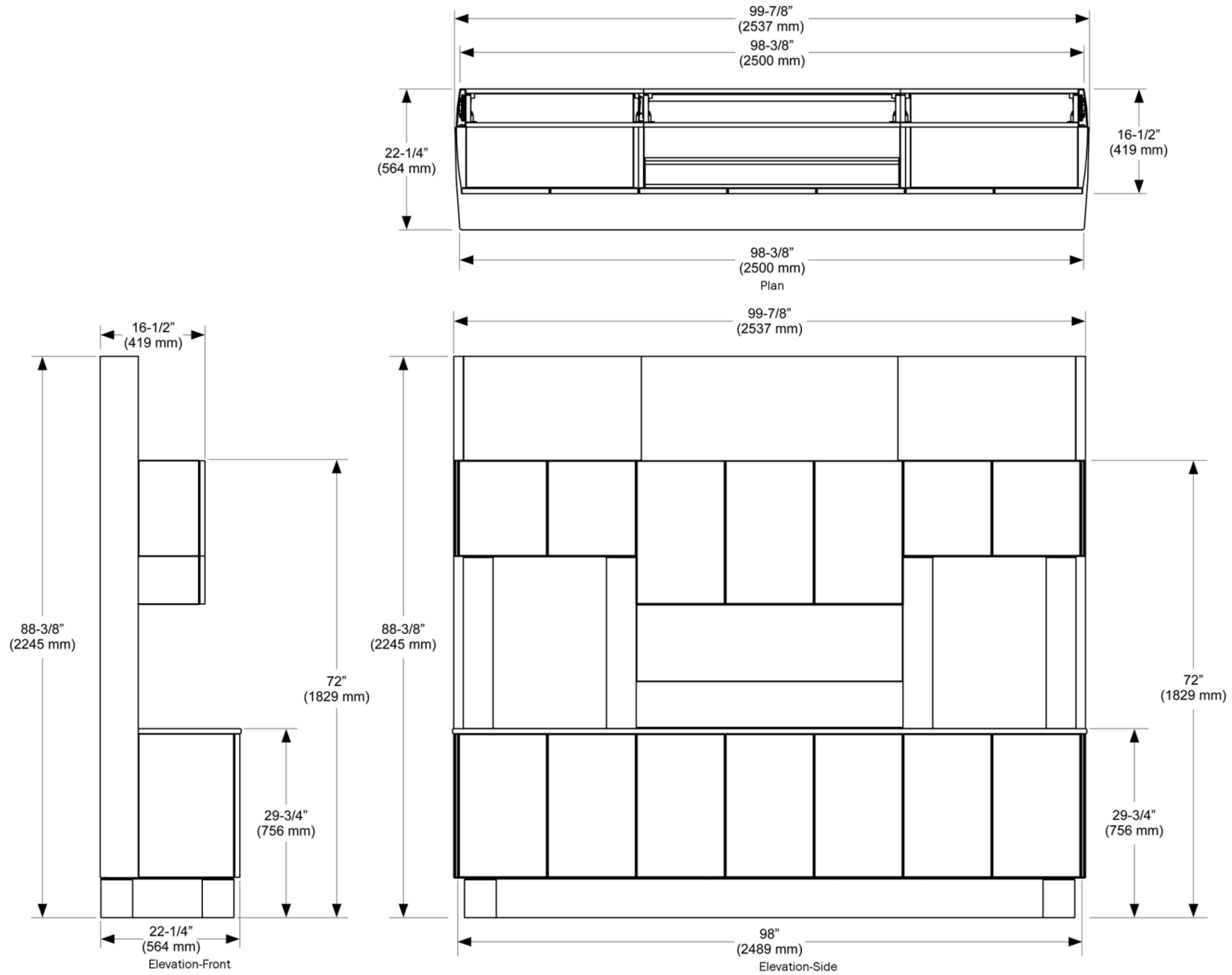
# 591 - 42" Full Treatment Console



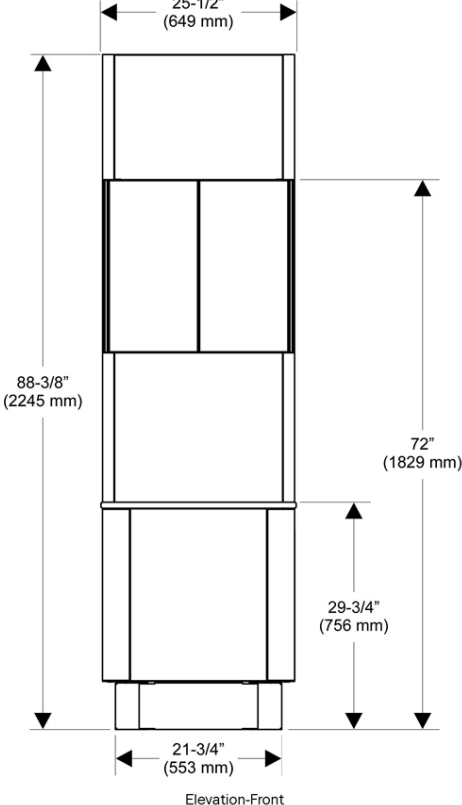
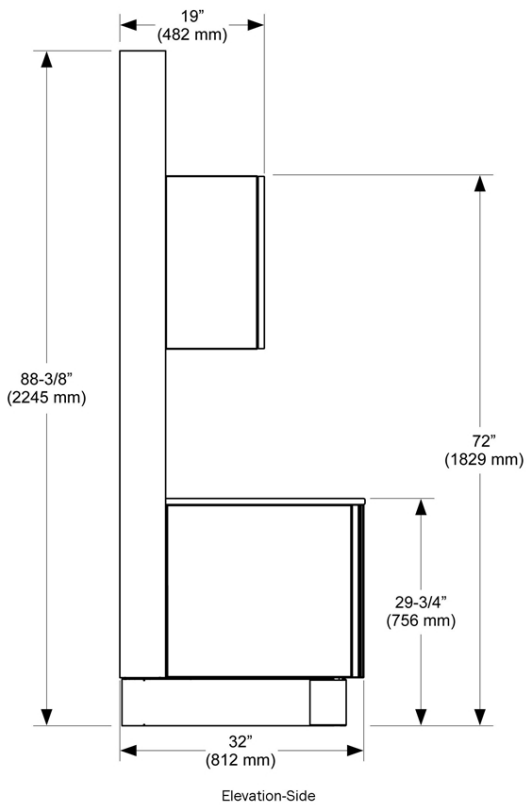
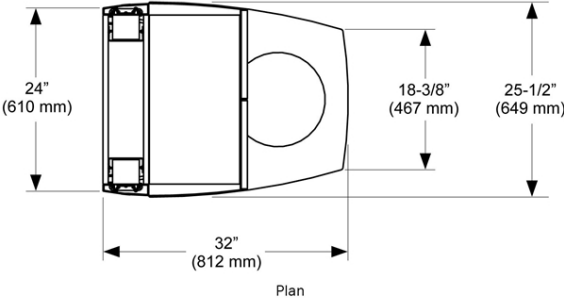
# 591 - 70" Full Treatment Console



# 591 - 98" Full Treatment Console

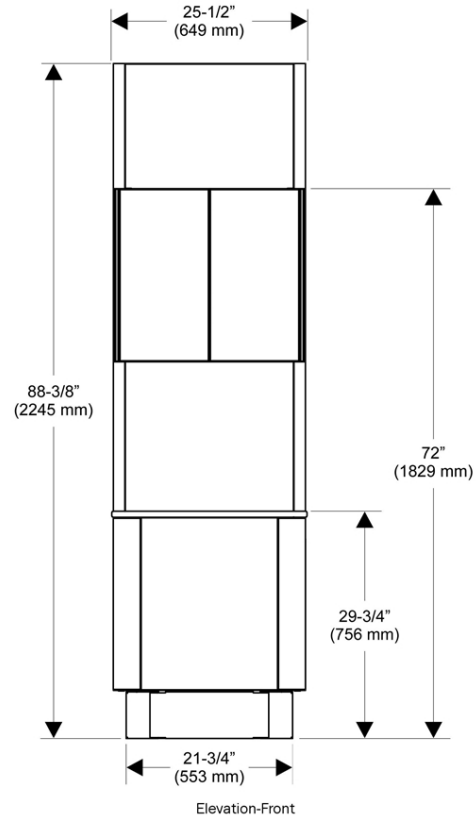
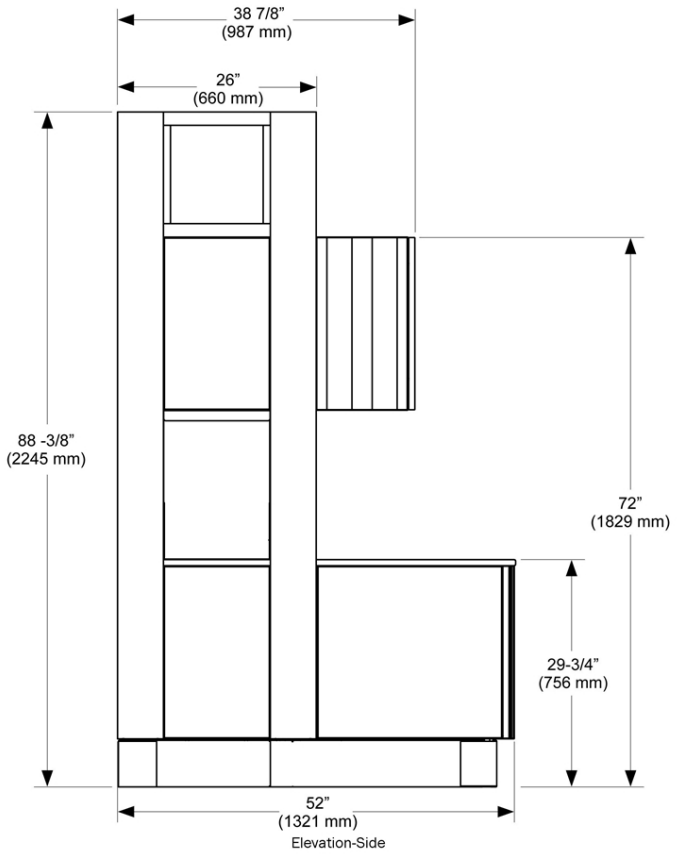
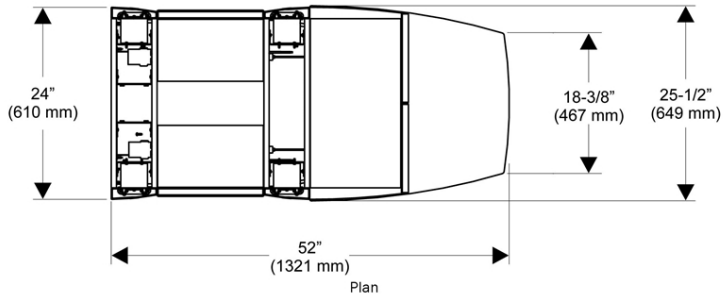


# 592 - 32" T-Wall Central Console

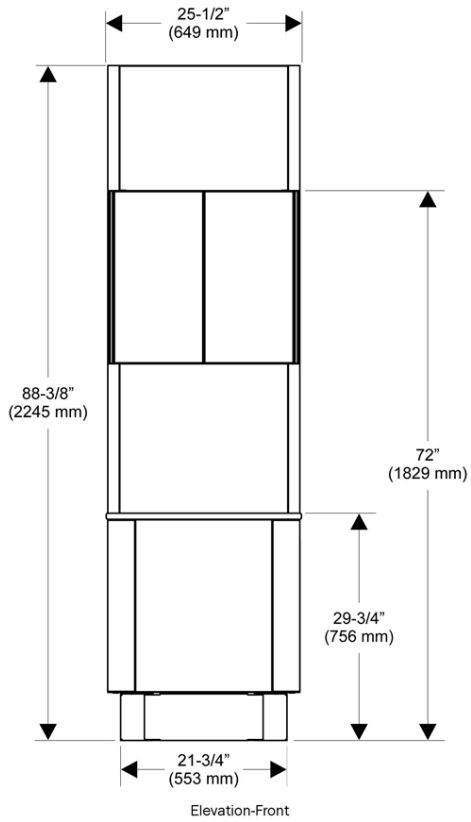
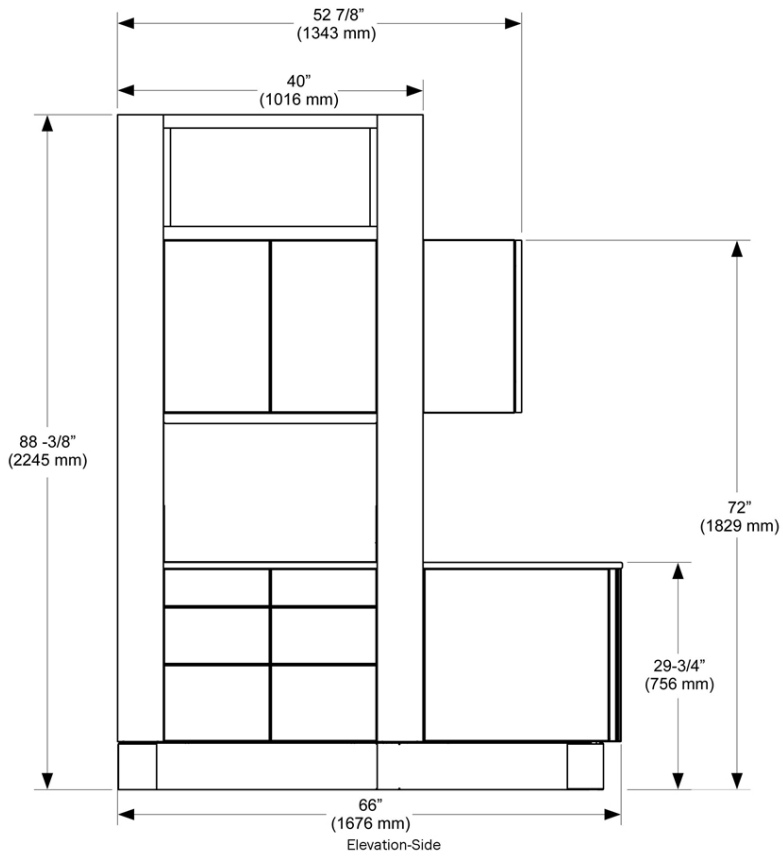
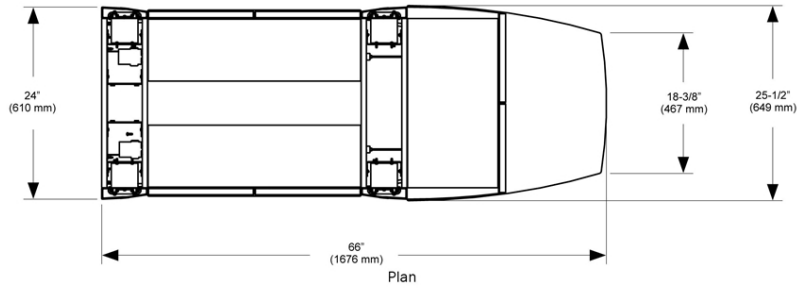




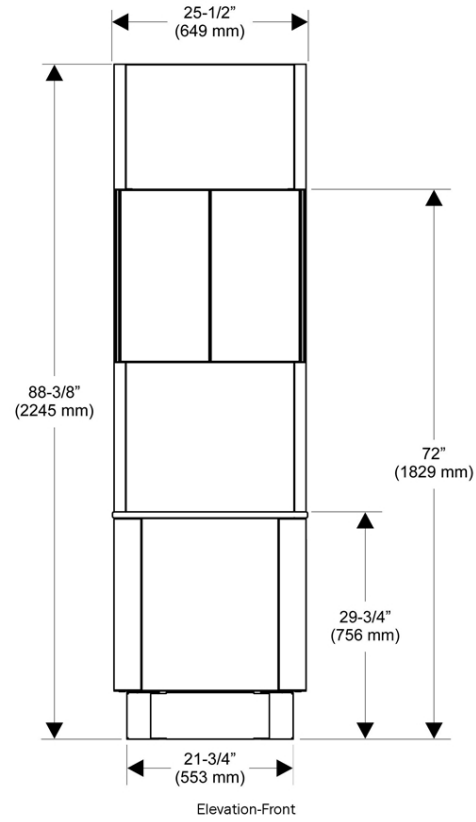
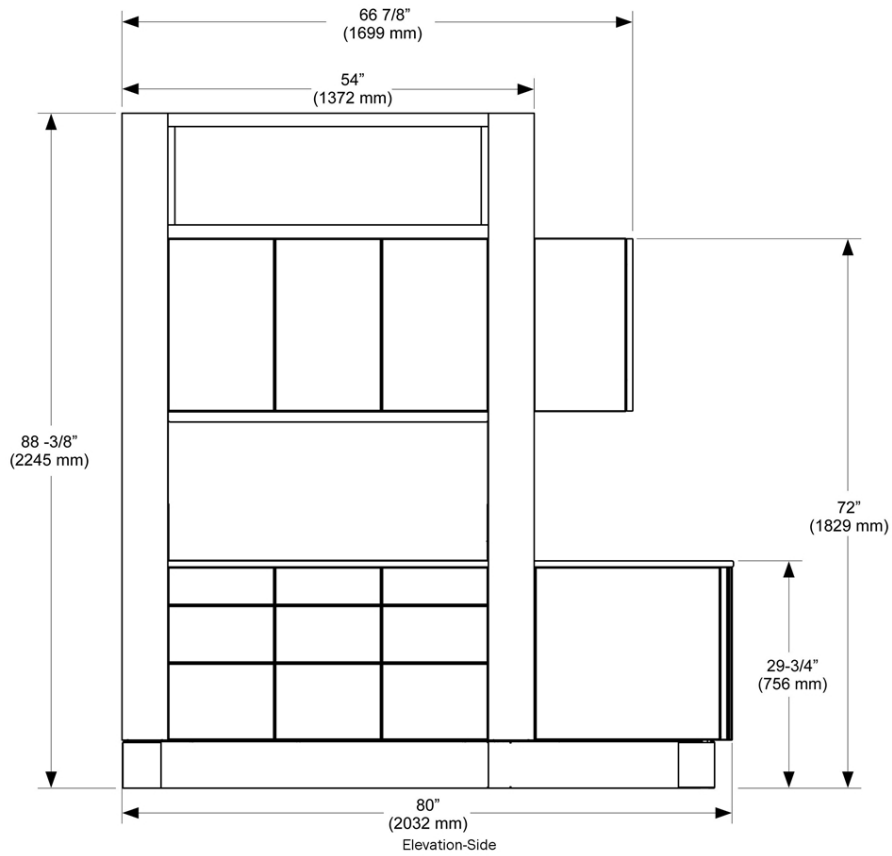
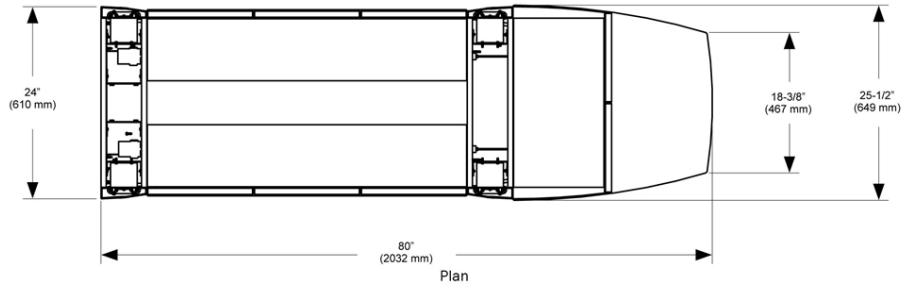
# 592 - 52" Mid Central Console



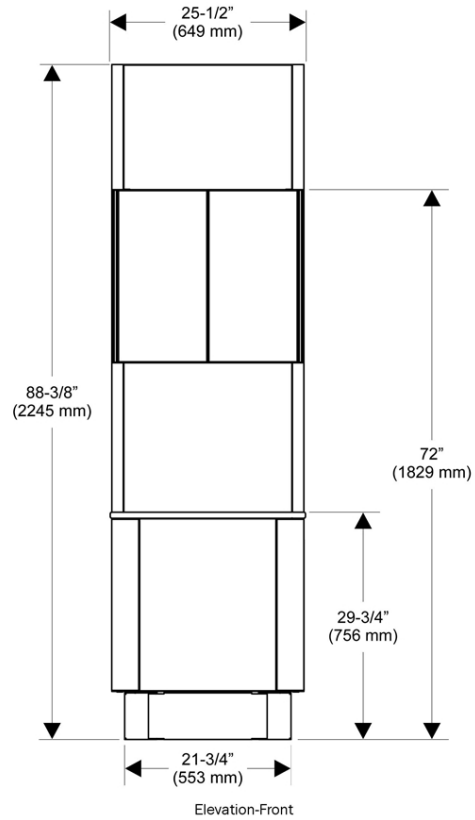
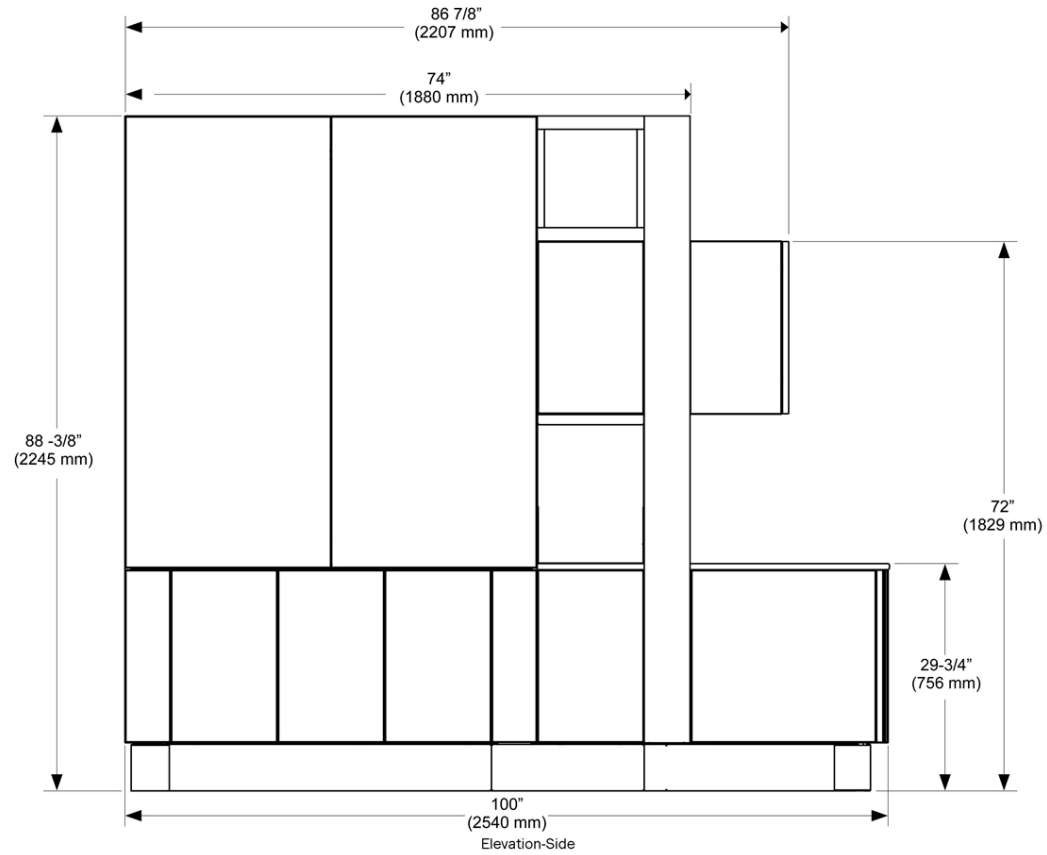
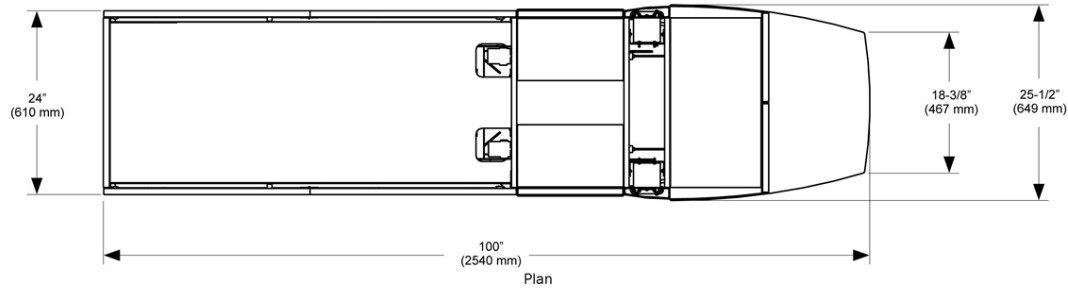
# 592 - 66" Mid Central Console



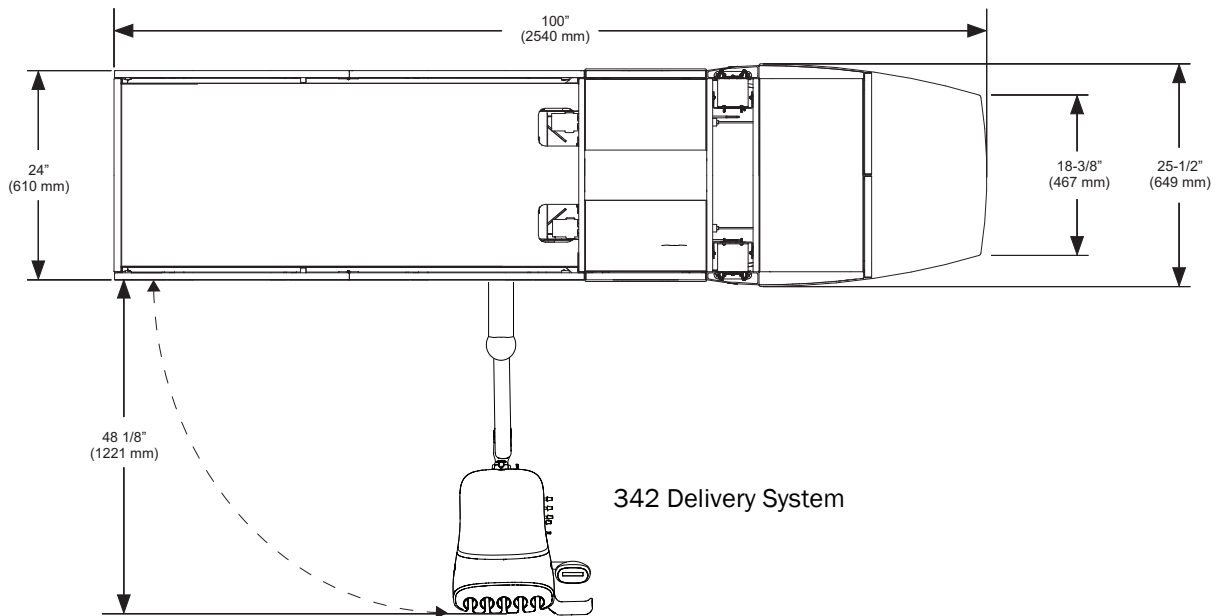
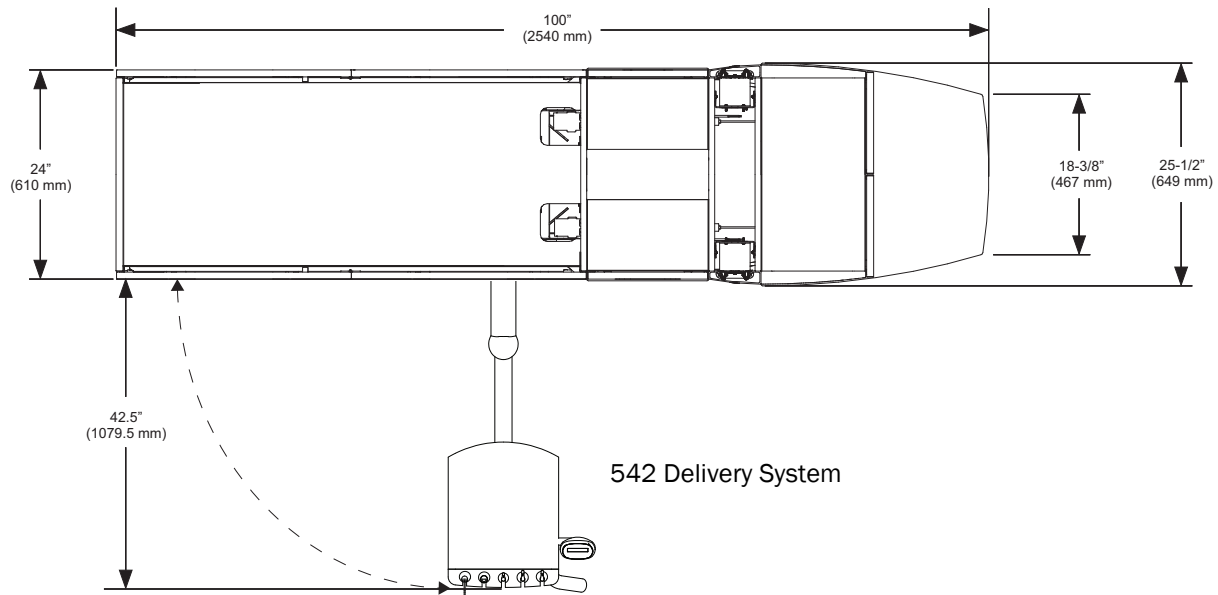
# 592 - 80" Mid Central Console



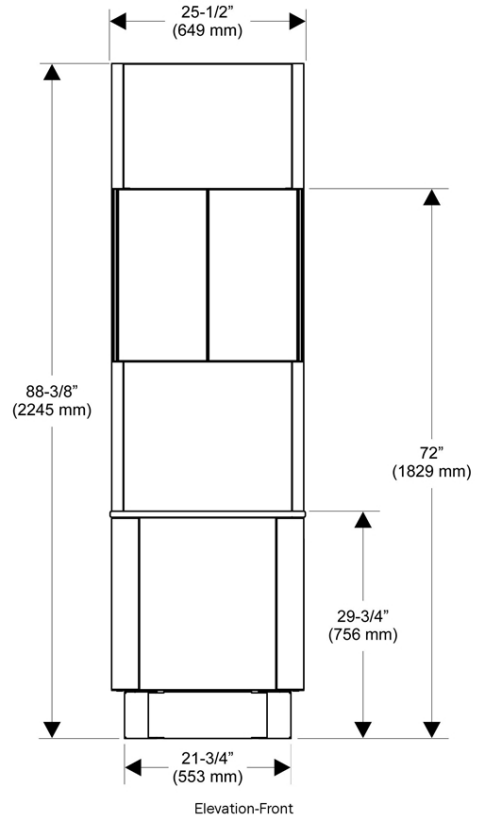
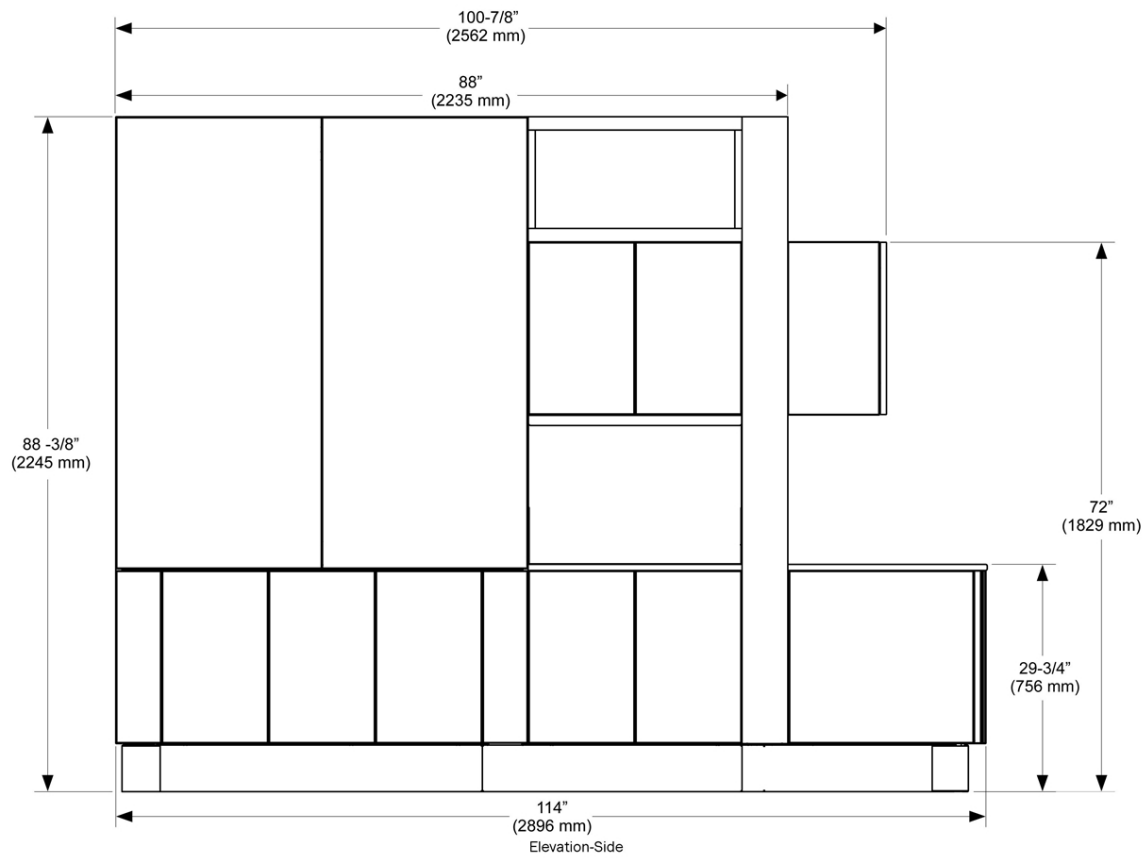
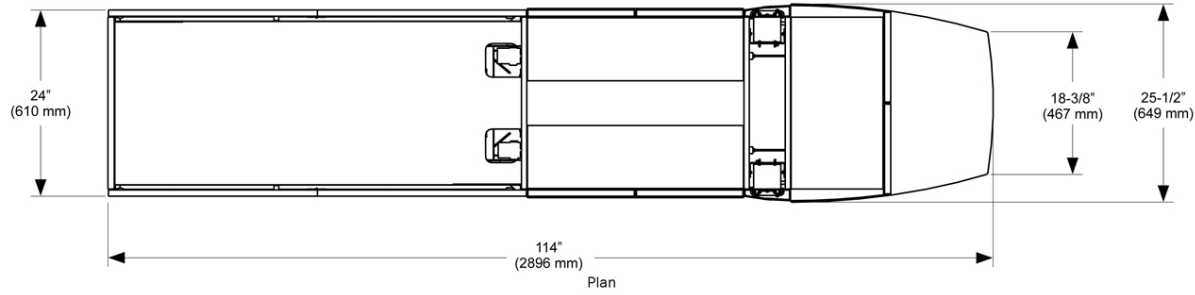
# 592 - 100" Full Central Console



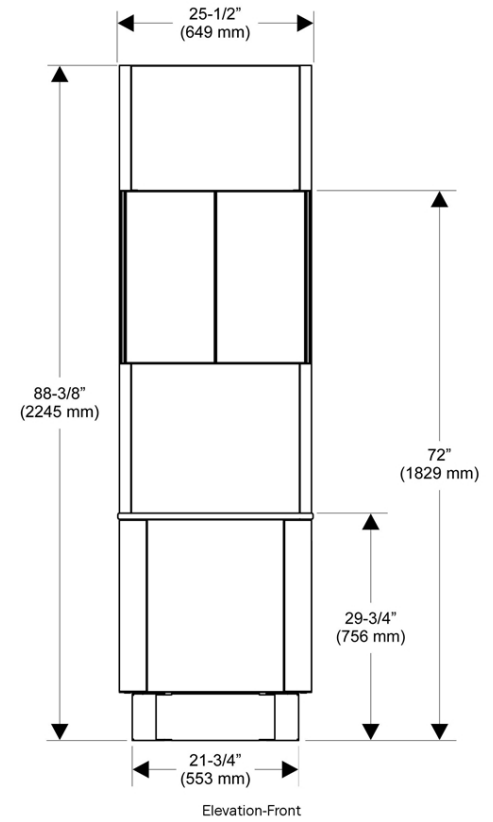
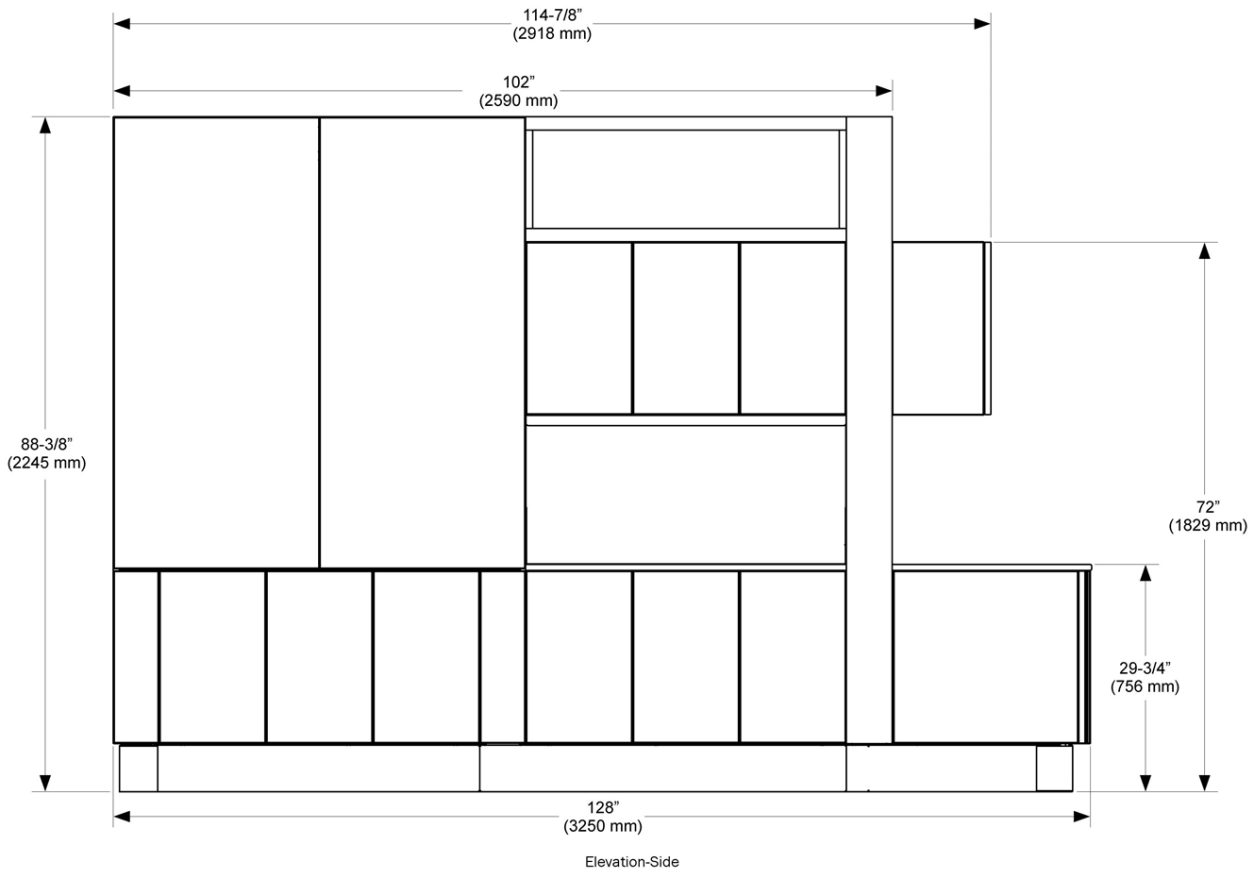
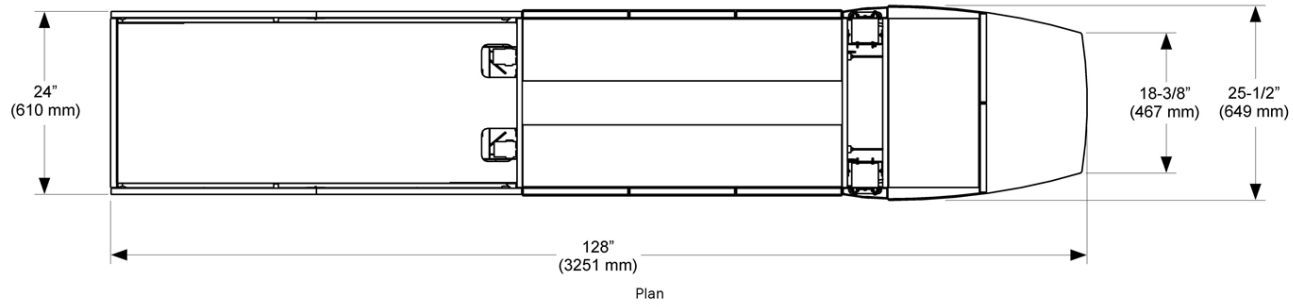
## 592 - 100" Full Central Console with a Delivery System



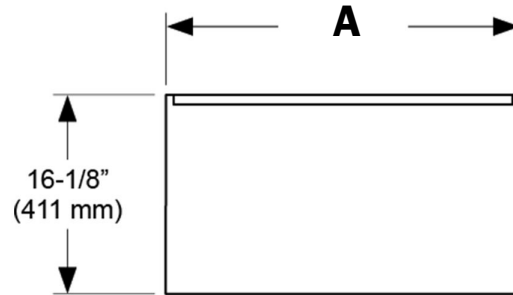
# 592 - 114" Full Central Console



# 592 - 128" Full Central Console

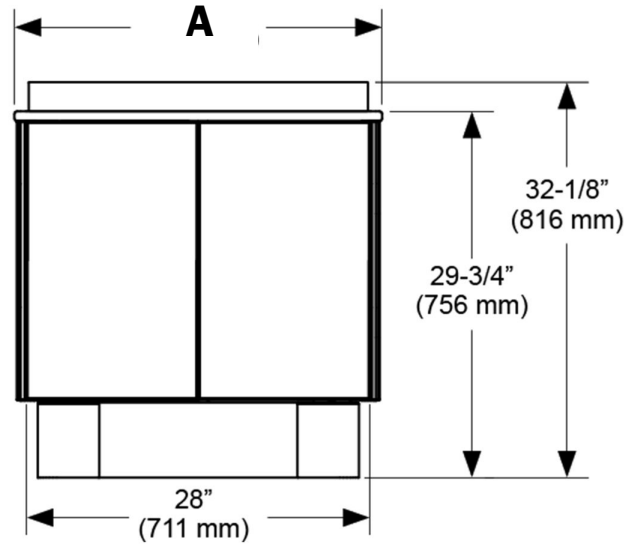
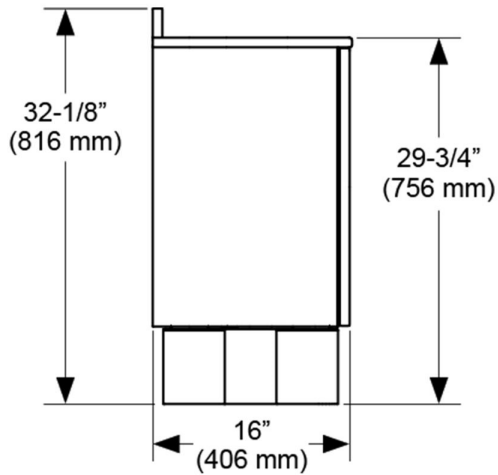


# 593 - 28" Lower Side Console, 16" Depth with 30" Countertop Height



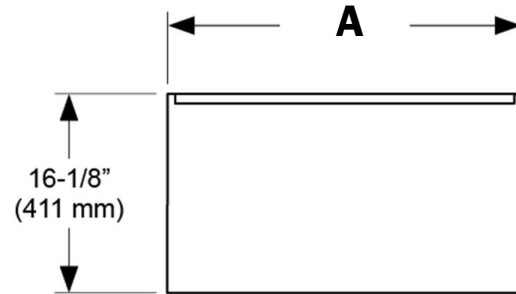
**A**

| End Cap Configuration | Width            |
|-----------------------|------------------|
| Both flat             | 28-1/2" (724 mm) |
| Both curved           | 29-7/8" (759 mm) |
| Curved-flat           | 29-1/4" (741 mm) |



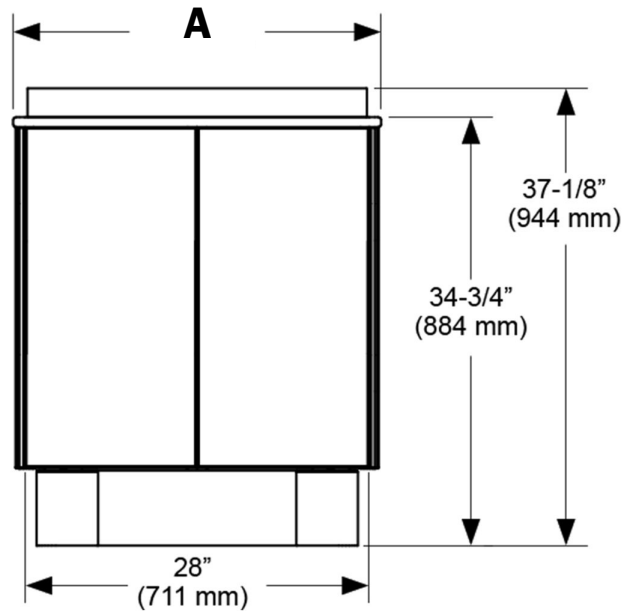
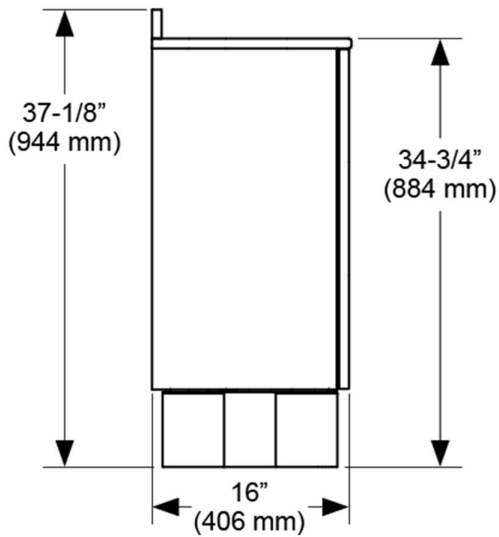


## 593 - 28" Lower Side Console, 16" Depth with 34" Countertop Height

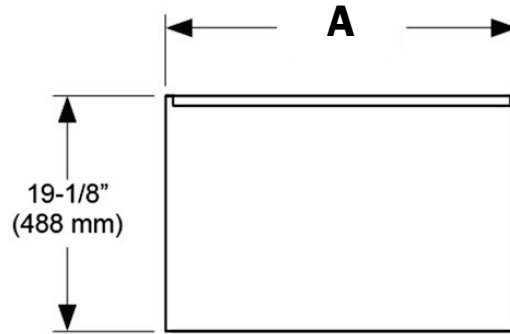


**A**

| End Cap Configuration | Width            |
|-----------------------|------------------|
| Both flat             | 28-1/2" (724 mm) |
| Both curved           | 29-7/8" (759 mm) |
| Curved-flat           | 29-1/4" (741 mm) |

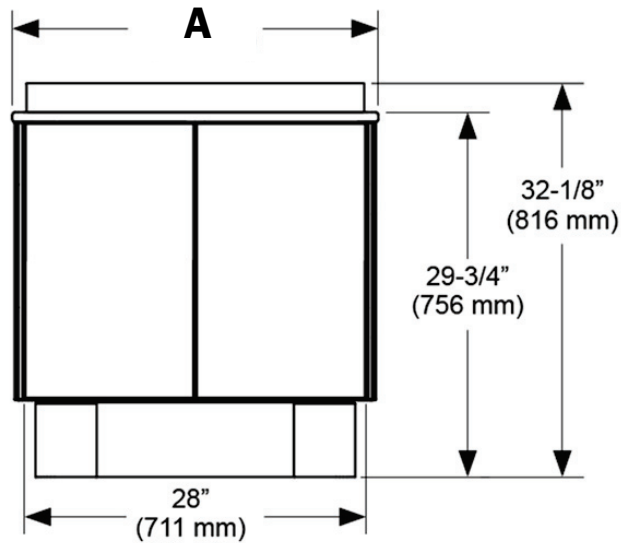
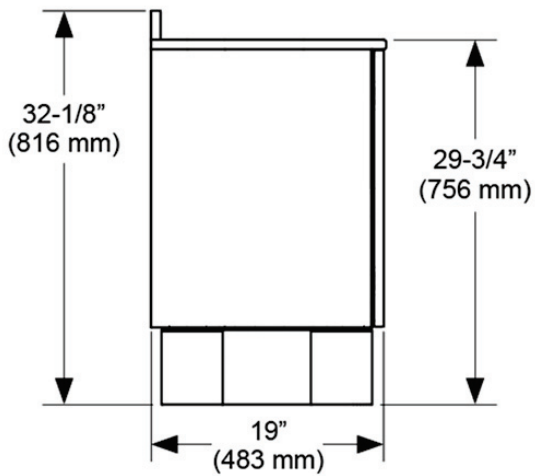


# 593 - 28" Lower Side Console, 19" Depth with 30" Countertop Height

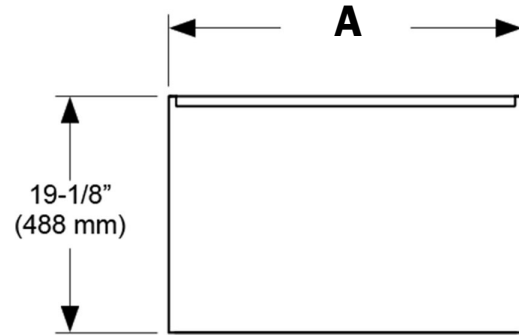


**A**

| End Cap Configuration | Width            |
|-----------------------|------------------|
| Both flat             | 28-1/2" (724 mm) |
| Both curved           | 29-7/8" (759 mm) |
| Curved-flat           | 29-1/4" (741 mm) |

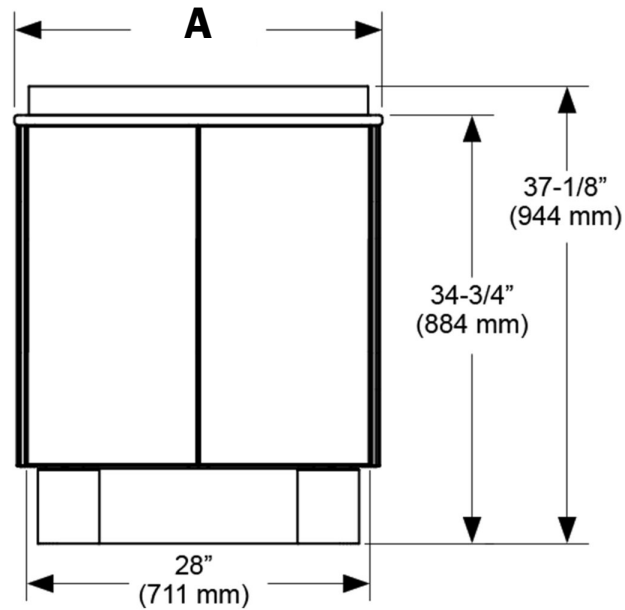
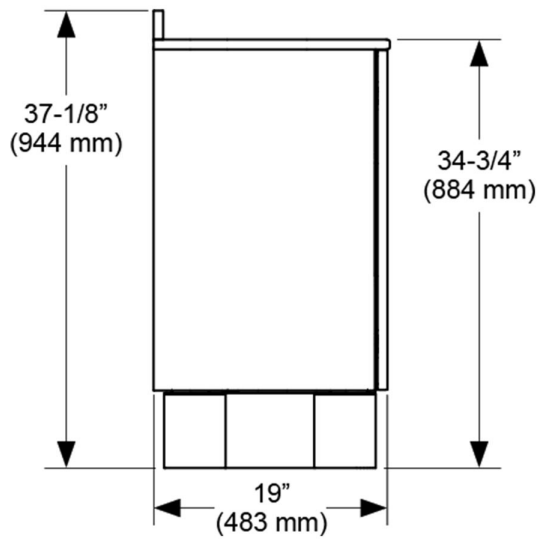


## 593 - 28" Lower Side Console, 19" Depth with 34" Countertop Height

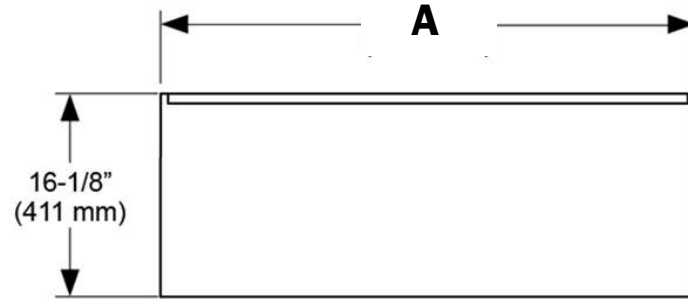


**A**

| End Cap Configuration | Width            |
|-----------------------|------------------|
| Both flat             | 28-1/2" (724 mm) |
| Both curved           | 29-7/8" (759 mm) |
| Curved-flat           | 29-1/4" (741 mm) |

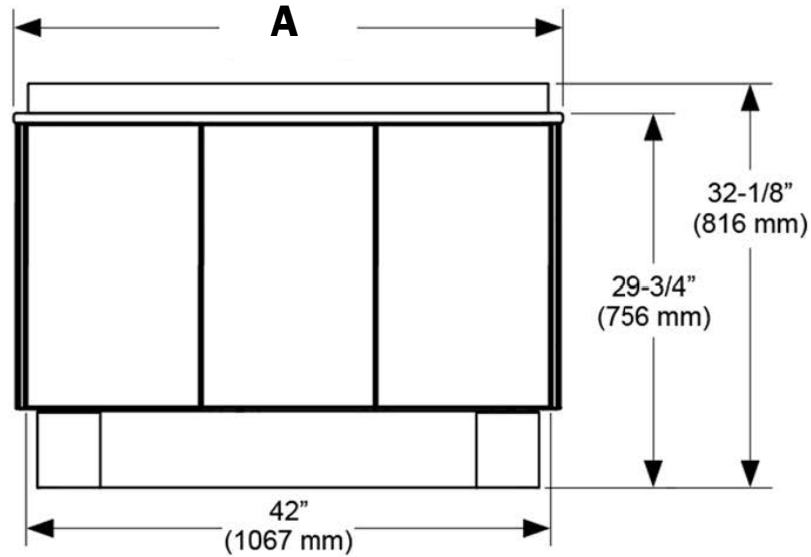
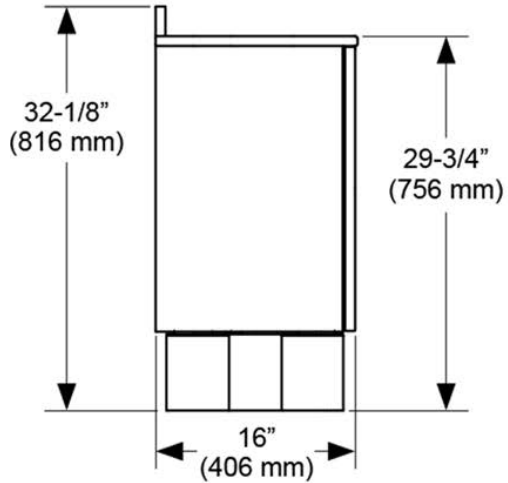


# 593 - 42" Lower Side Console, 16" Depth with 30" Countertop Height

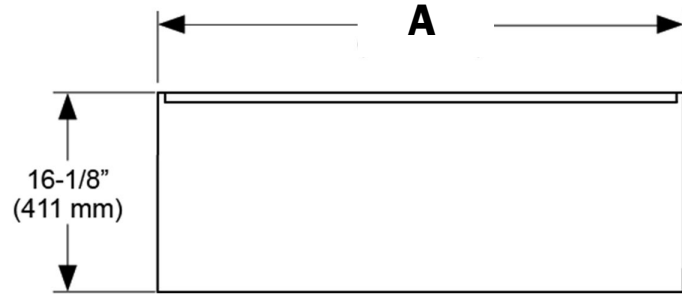


**A**

| End Cap Configuration | Width             |
|-----------------------|-------------------|
| Both flat             | 42-1/2" (1079 mm) |
| Both curved           | 43-7/8" (1114 mm) |
| Curved-flat           | 43-1/8" (1096 mm) |

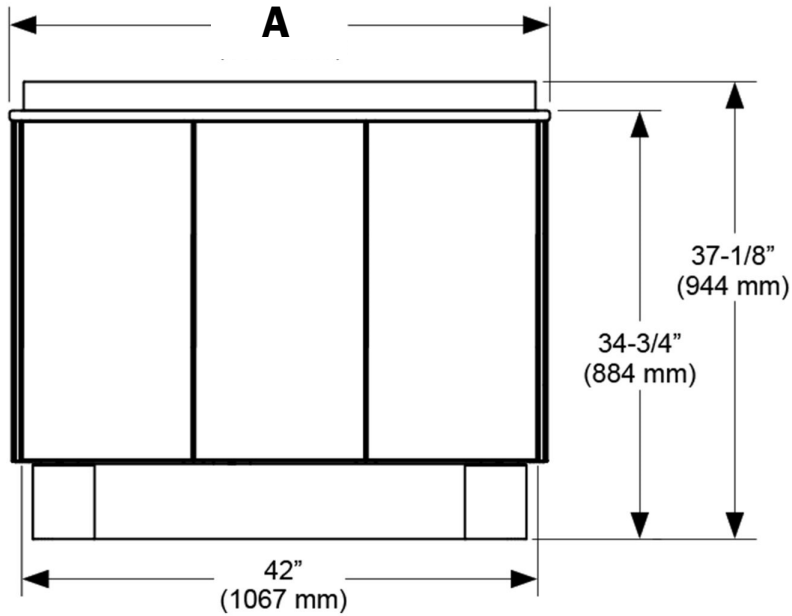
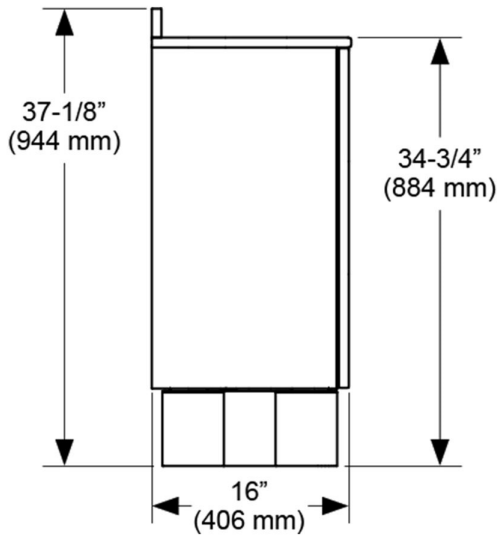


# 593 - 42" Lower Side Console, 16" Depth with 34" Countertop Height

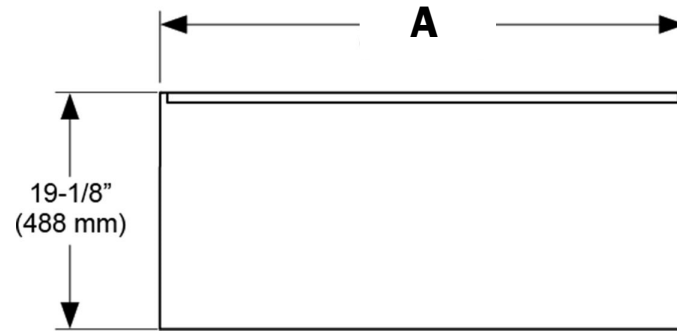


**A**

| End Cap Configuration | Width             |
|-----------------------|-------------------|
| Both flat             | 42-1/2" (1079 mm) |
| Both curved           | 43-7/8" (1114 mm) |
| Curved-flat           | 43-1/8" (1096 mm) |

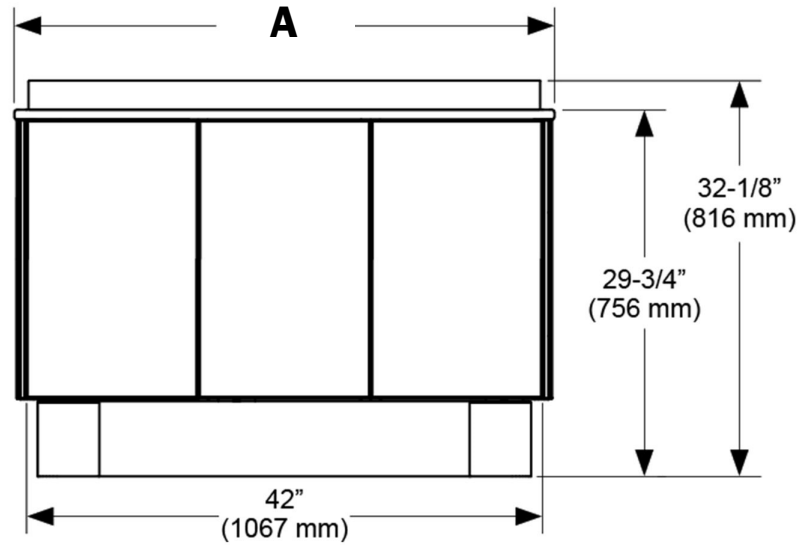
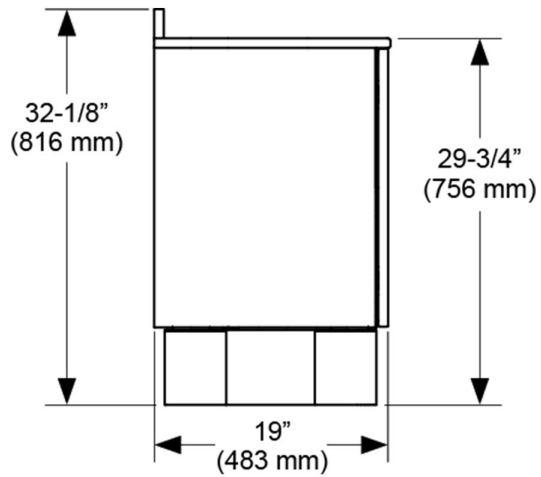


# 593 - 42" Lower Side Console, 19" Depth with 30" Countertop Height

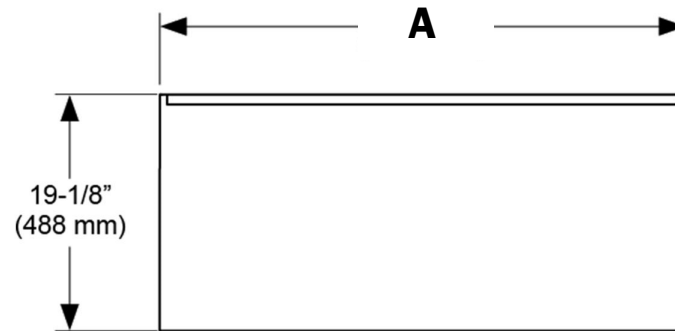


**A**

| End Cap Configuration | Width             |
|-----------------------|-------------------|
| Both flat             | 42-1/2" (1079 mm) |
| Both curved           | 43-7/8" (1114 mm) |
| Curved-flat           | 43-1/8" (1096 mm) |

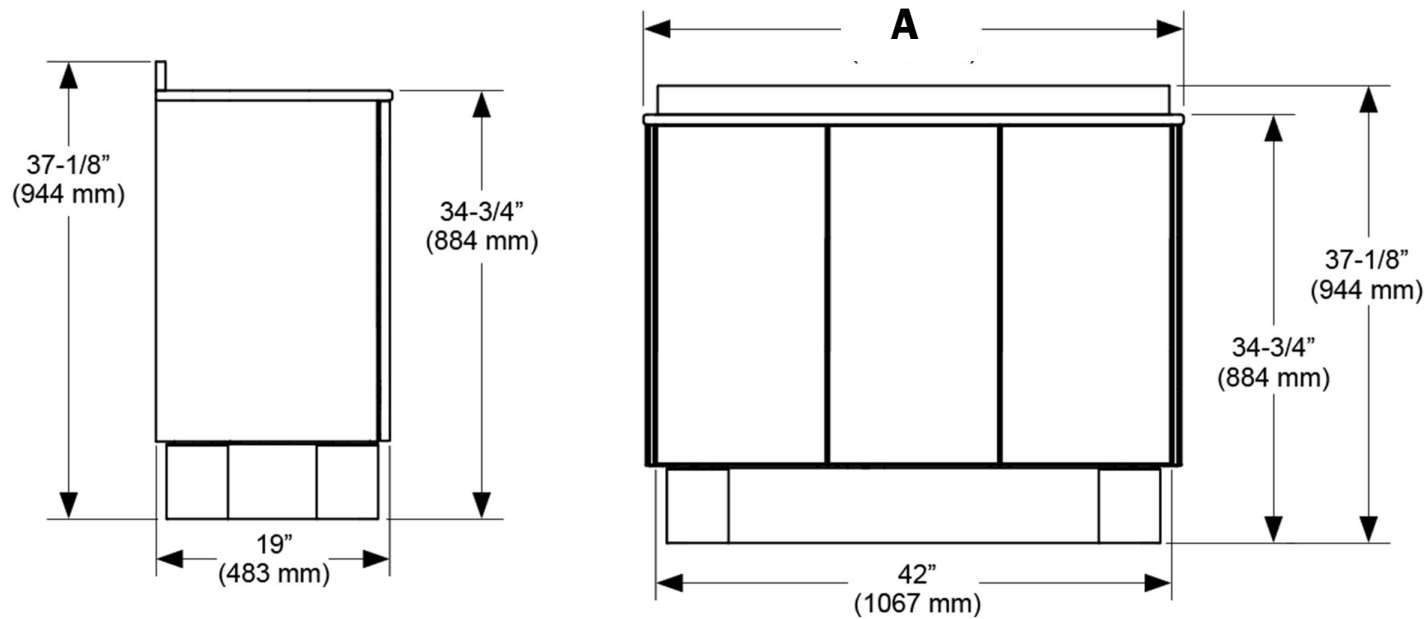


## 593 - 42" Lower Side Console, 19" Depth with 34" Countertop Height

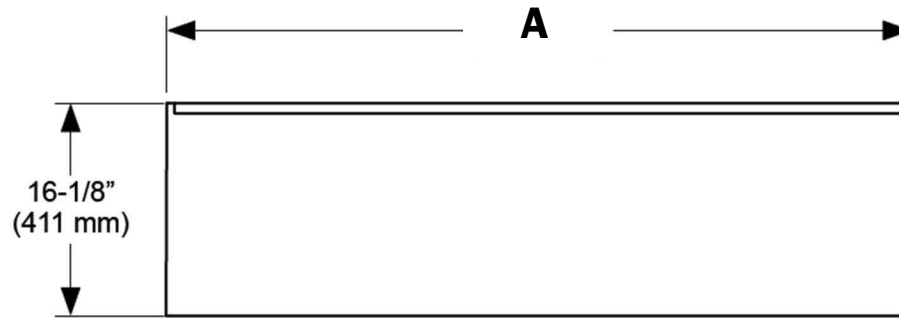


**A**

| End Cap Configuration | Width             |
|-----------------------|-------------------|
| Both flat             | 42-1/2" (1079 mm) |
| Both curved           | 43-7/8" (1114 mm) |
| Curved-flat           | 43-1/8" (1096 mm) |

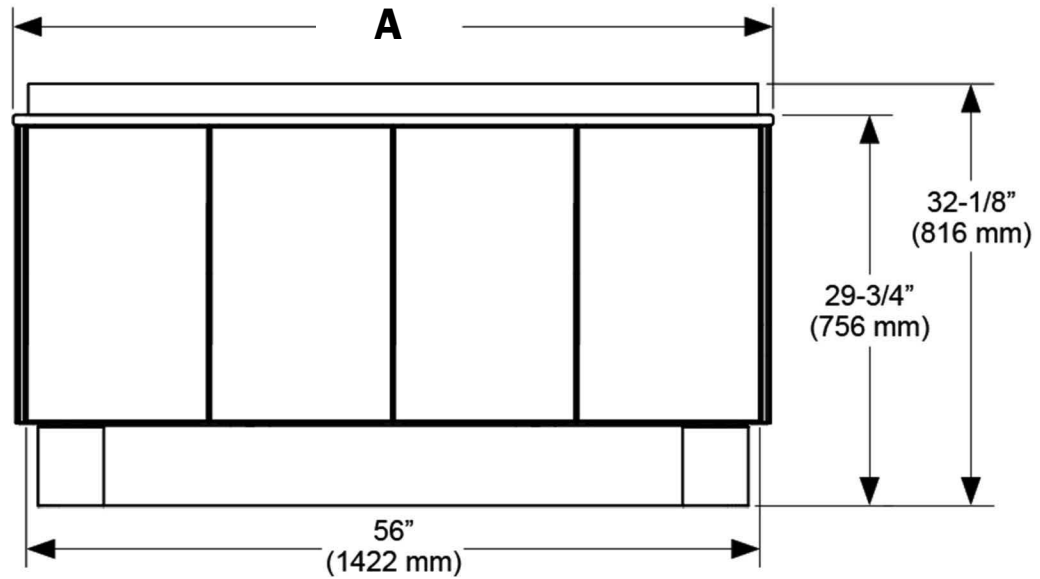
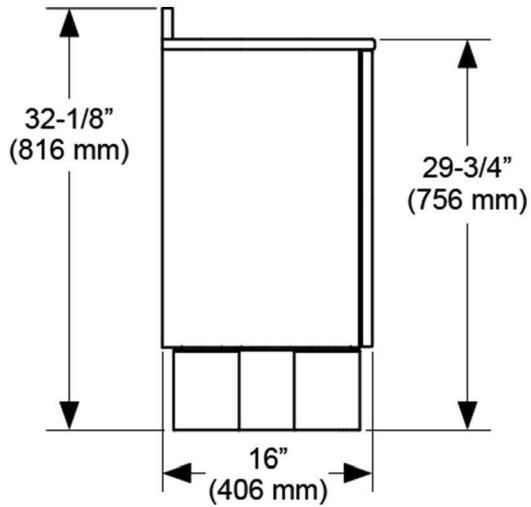


**593 - 56" Lower Side Console, 16" Depth with 30" Countertop Height**



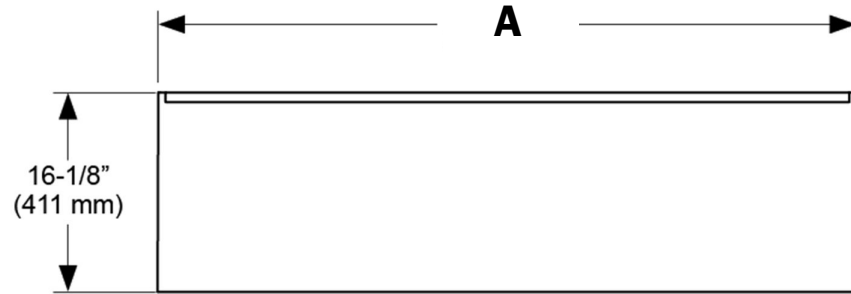
**A**

| End Cap Configuration | Width             |
|-----------------------|-------------------|
| Both flat             | 56-1/2" (1435 mm) |
| Both curved           | 57-7/8" (1470 mm) |
| Curved-flat           | 57-1/8" (1452 mm) |



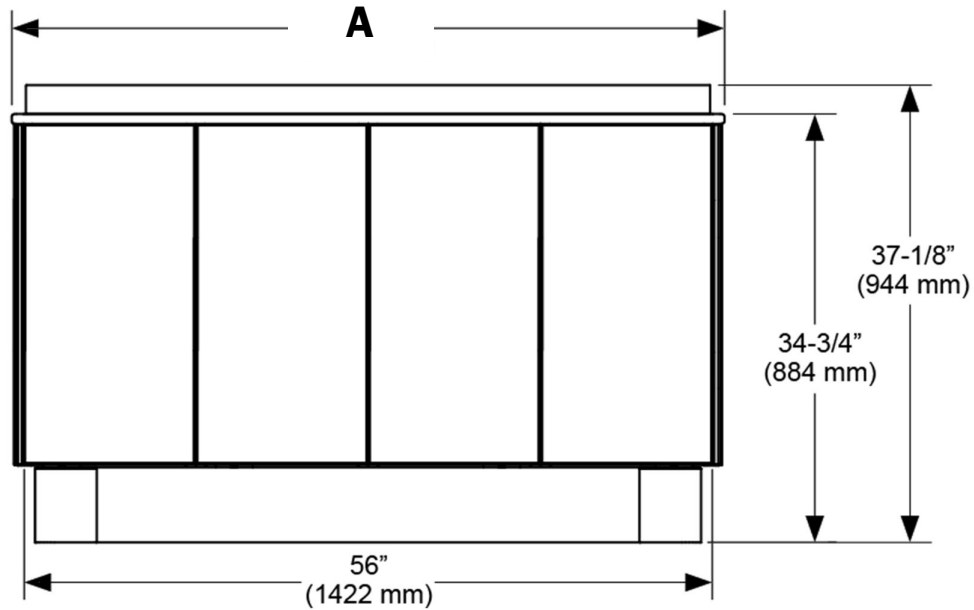
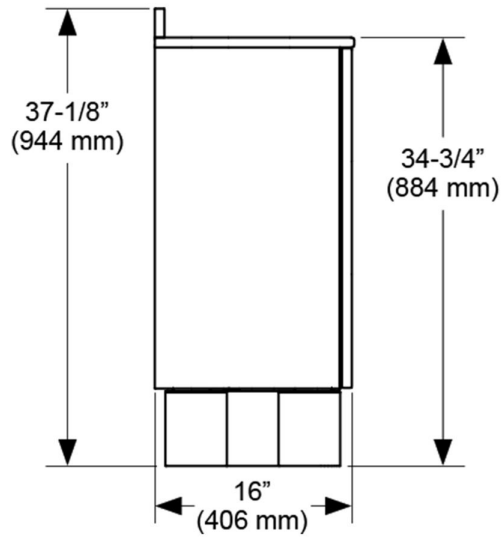


# 593 - 56" Lower Side Console, 16" Depth with 34" Countertop Height

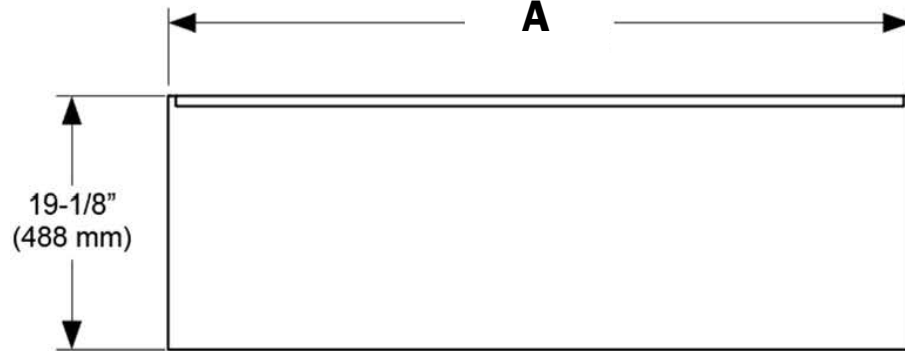


**A**

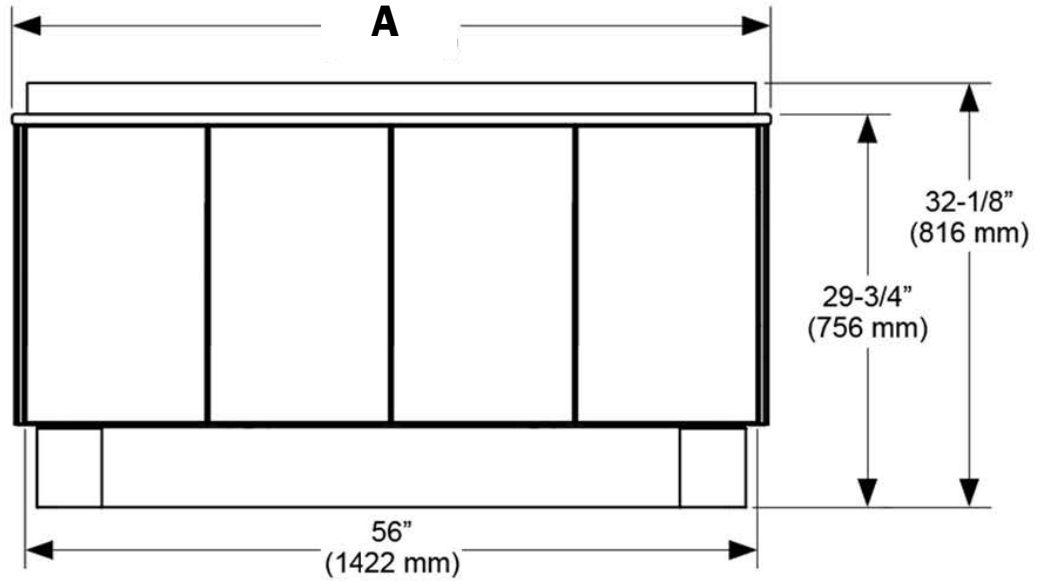
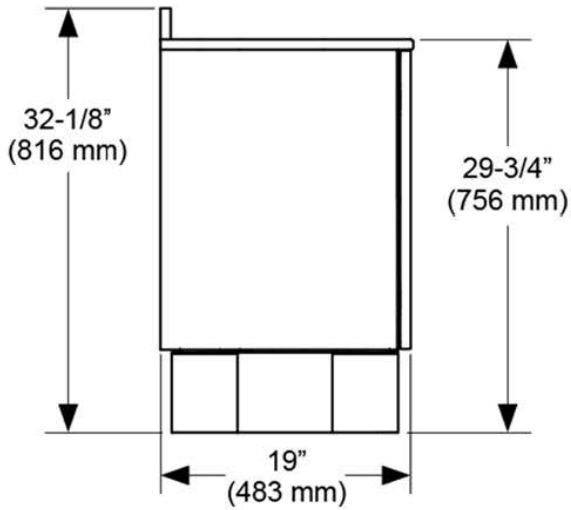
| End Cap Configuration | Width             |
|-----------------------|-------------------|
| Both flat             | 56-1/2" (1435 mm) |
| Both curved           | 57-7/8" (1470 mm) |
| Curved-flat           | 57-1/8" (1452 mm) |



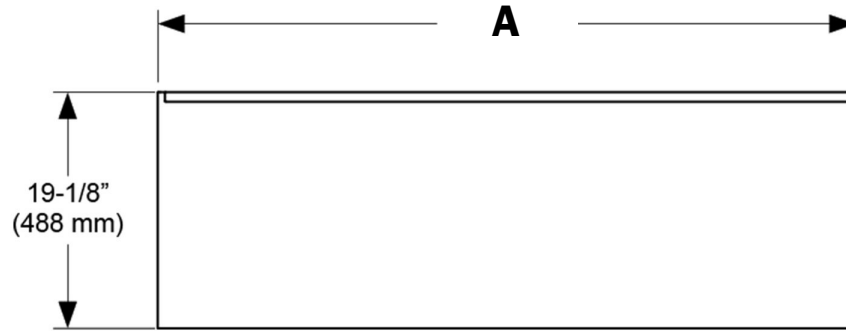
# 593 - 56" Lower Side Console, 19" Depth with 30" Countertop Height



| End Cap Configuration | Width             |
|-----------------------|-------------------|
| Both flat             | 56-1/2" (1435 mm) |
| Both curved           | 57-7/8" (1470 mm) |
| Curved-flat           | 57-1/8" (1452 mm) |

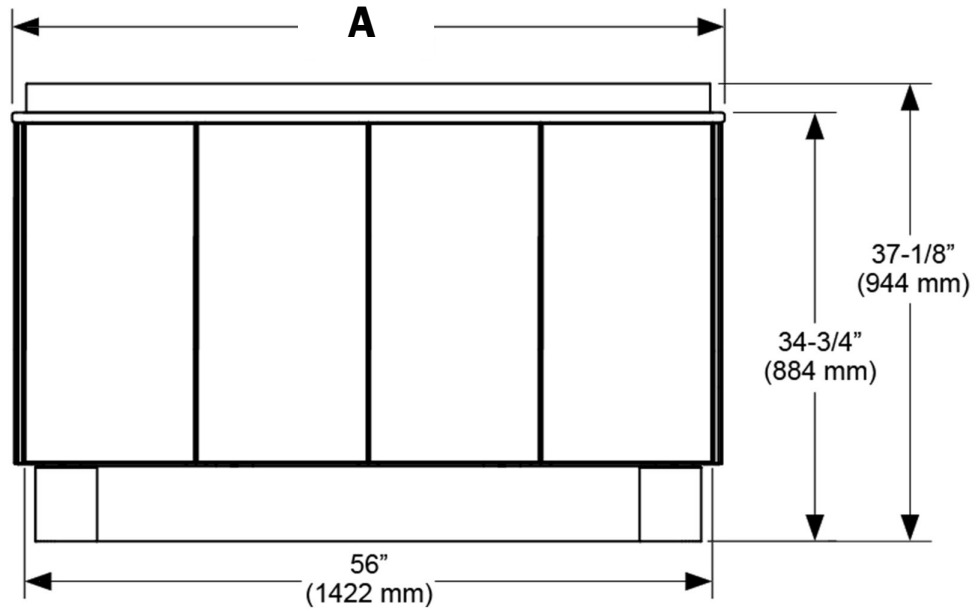
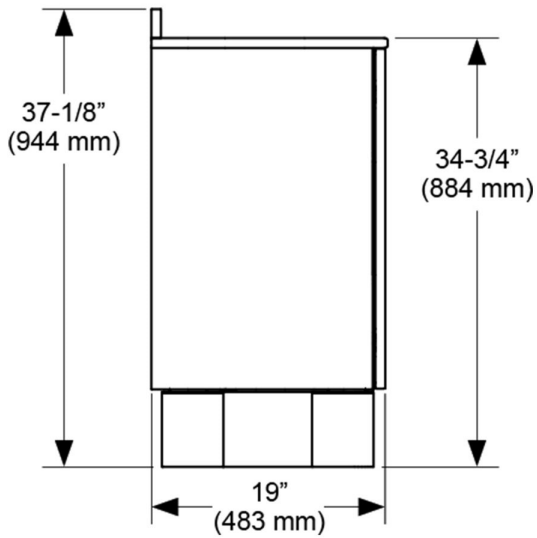


# 593 - 56" Lower Side Console, 19" Depth with 34" Countertop Height



**A**

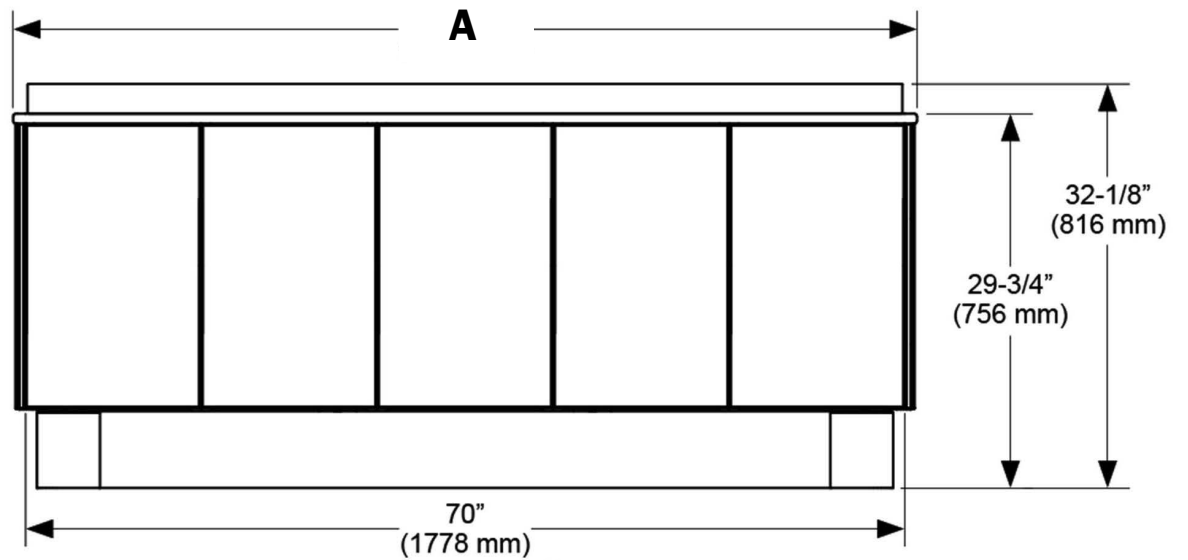
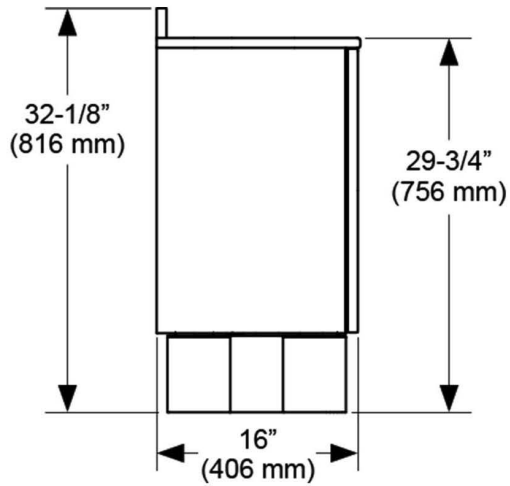
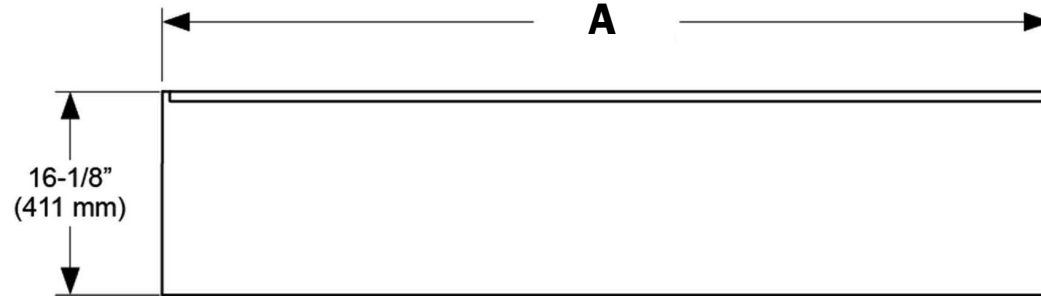
| End Cap Configuration | Width             |
|-----------------------|-------------------|
| Both flat             | 56-1/2" (1435 mm) |
| Both curved           | 57-7/8" (1470 mm) |
| Curved-flat           | 57-1/8" (1452 mm) |



# 593 - 70" Lower Side Console, 16" Depth with 30" Countertop Height

**A**

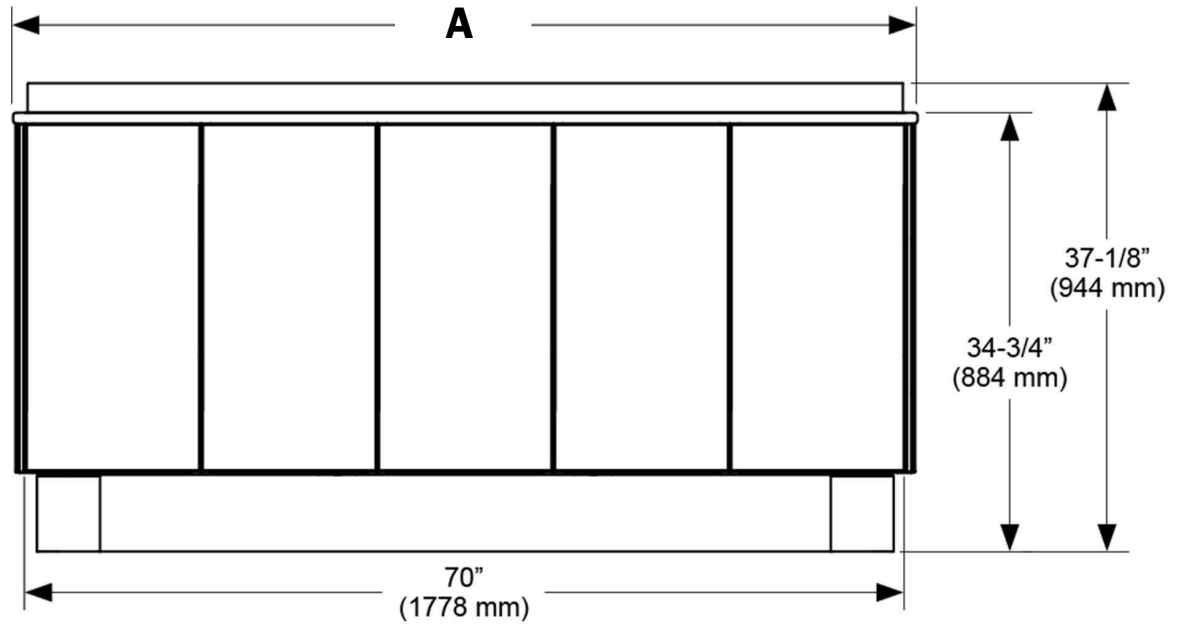
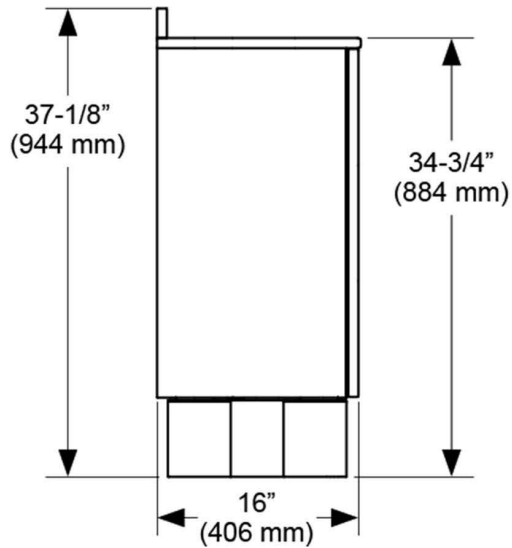
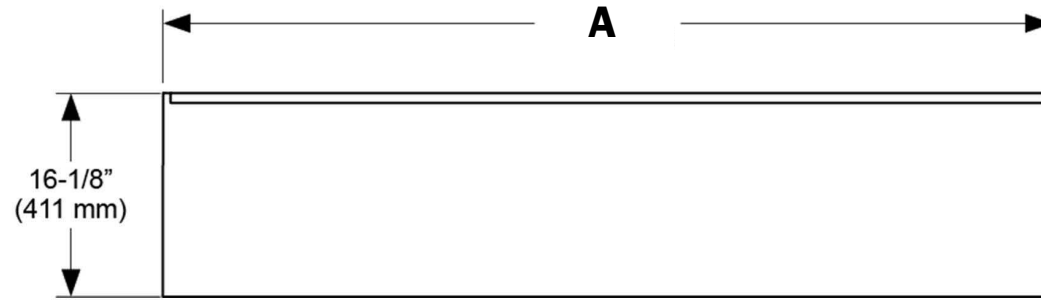
| End Cap Configuration | Width             |
|-----------------------|-------------------|
| Both flat             | 70-1/2" (1791 mm) |
| Both curved           | 71-7/8" (1825 mm) |
| Curved-flat           | 71-1/8" (1807 mm) |



## 593 - 70" Lower Side Console, 16" Depth with 34" Countertop Height

**A**

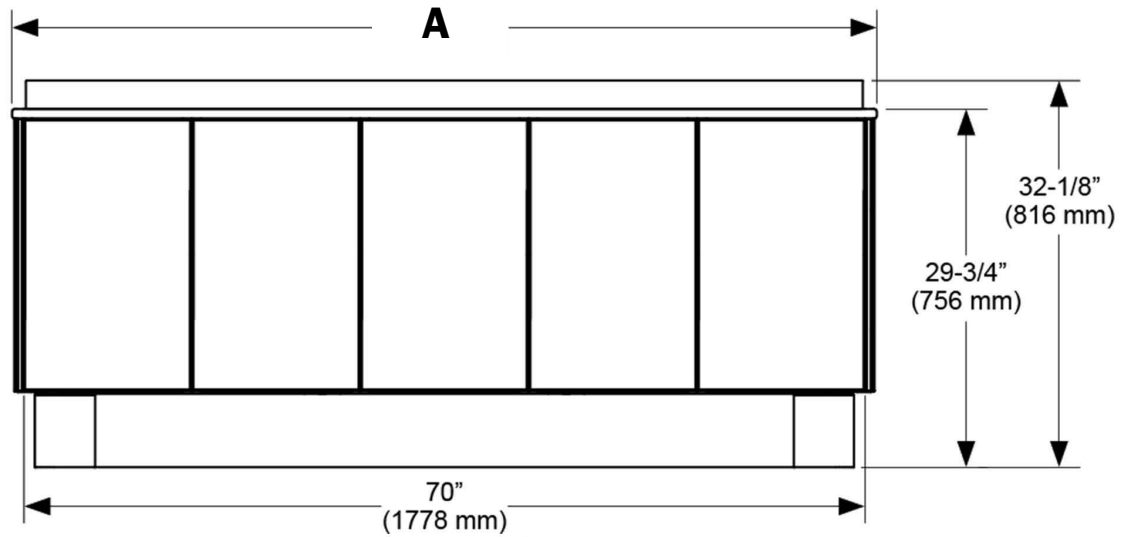
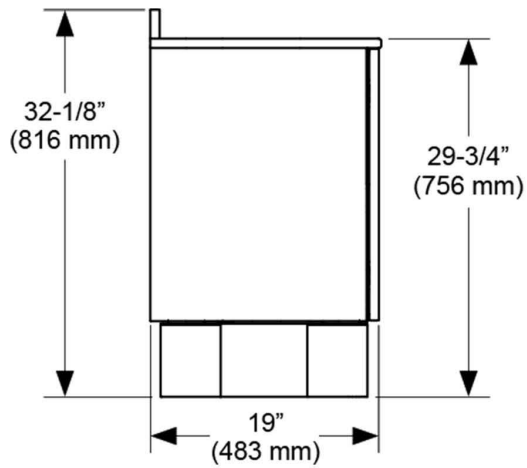
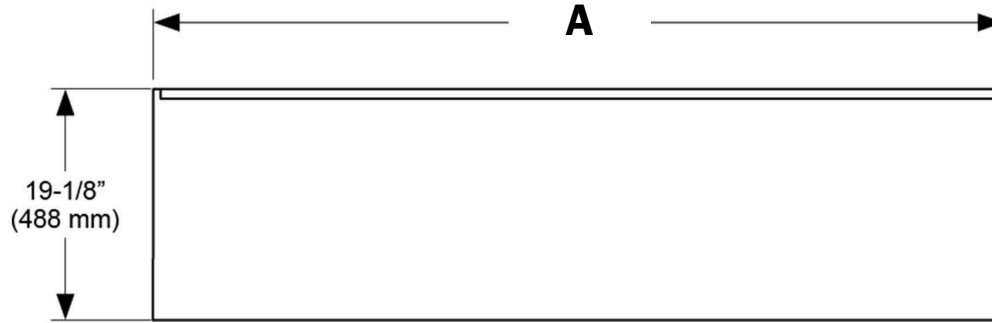
| End Cap Configuration | Width             |
|-----------------------|-------------------|
| Both flat             | 70-1/2" (1791 mm) |
| Both curved           | 71-7/8" (1825 mm) |
| Curved-flat           | 71-1/8" (1807 mm) |



# 593 - 70" Lower Side Console, 19" Depth with 30" Countertop Height

**A**

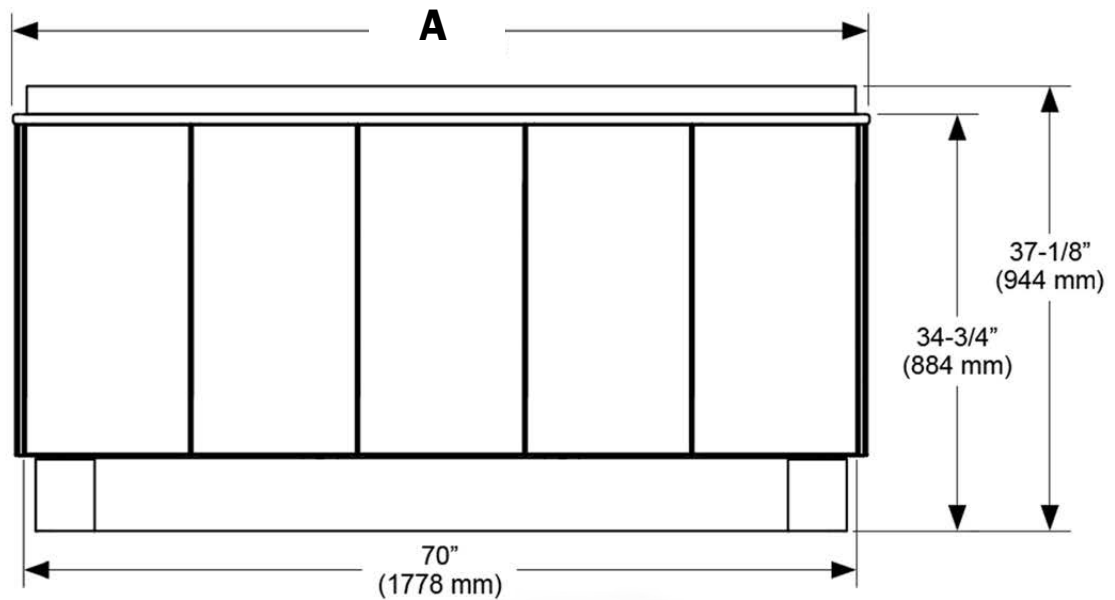
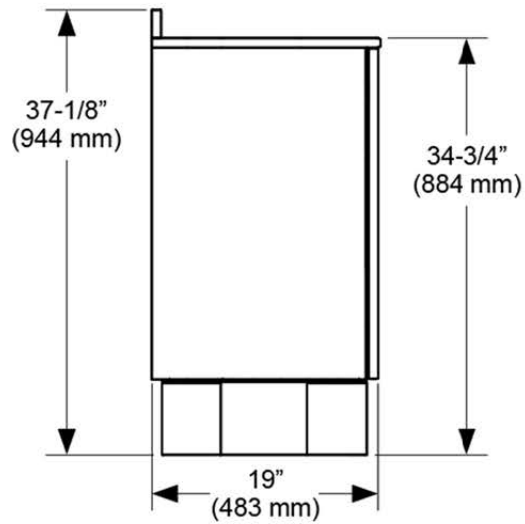
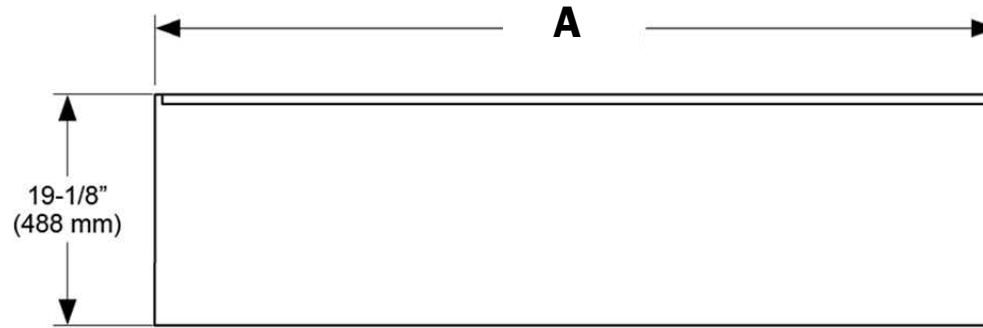
| End Cap Configuration | Width             |
|-----------------------|-------------------|
| Both flat             | 70-1/2" (1791 mm) |
| Both curved           | 71-7/8" (1825 mm) |
| Curved-flat           | 71-1/8" (1807 mm) |



## 593 - 70" Lower Side Console, 19" Depth with 34" Countertop Height

**A**

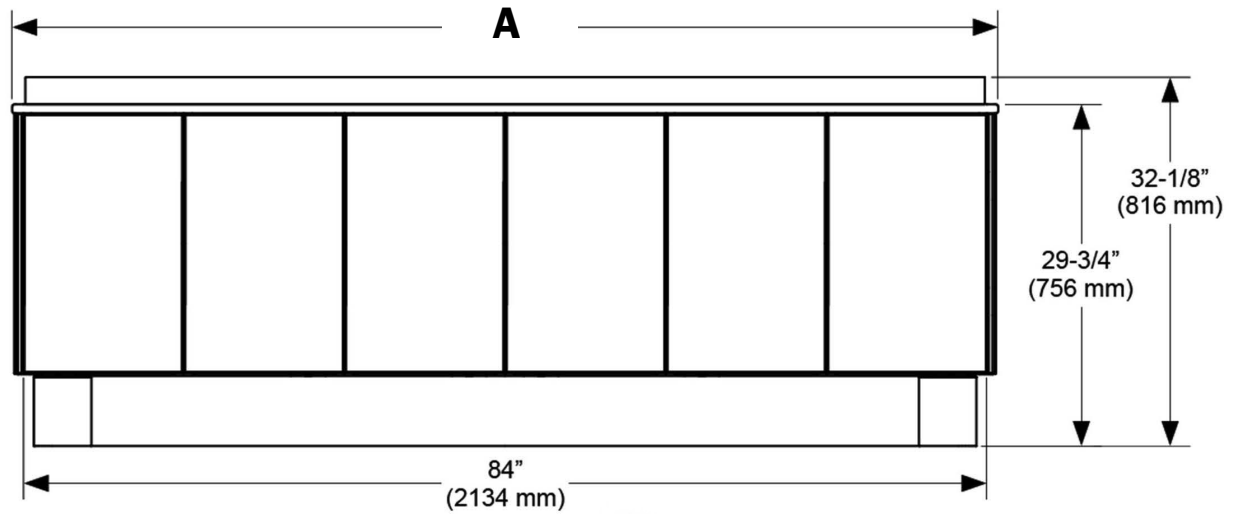
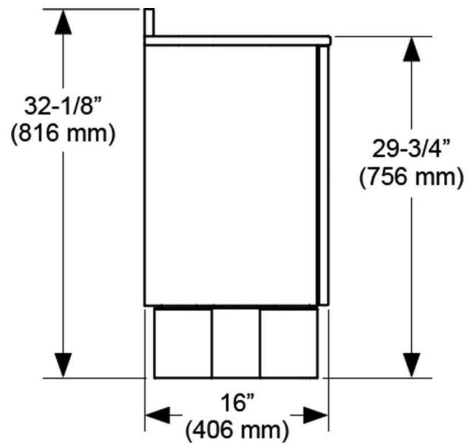
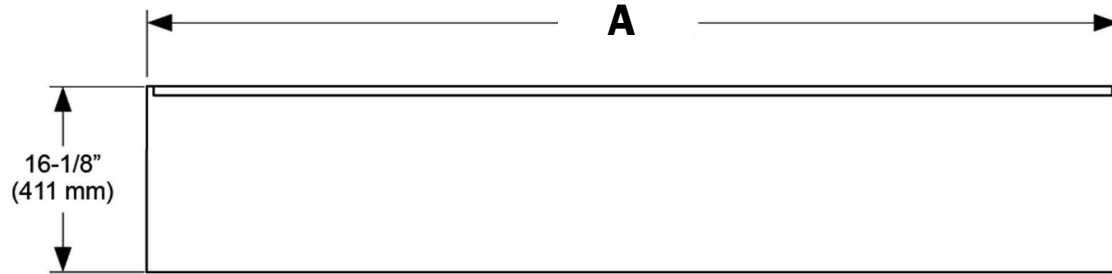
| End Cap Configuration | Width             |
|-----------------------|-------------------|
| Both flat             | 70-1/2" (1791 mm) |
| Both curved           | 71-7/8" (1825 mm) |
| Curved-flat           | 71-1/8" (1807 mm) |



# 593 - 84" Lower Side Console, 16" Depth with 30" Countertop Height

**A**

| End Cap Configuration | Width             |
|-----------------------|-------------------|
| Both flat             | 84-1/2" (2146 mm) |
| Both curved           | 85-7/8" (2181 mm) |
| Curved-flat           | 85-1/8" (2163 mm) |

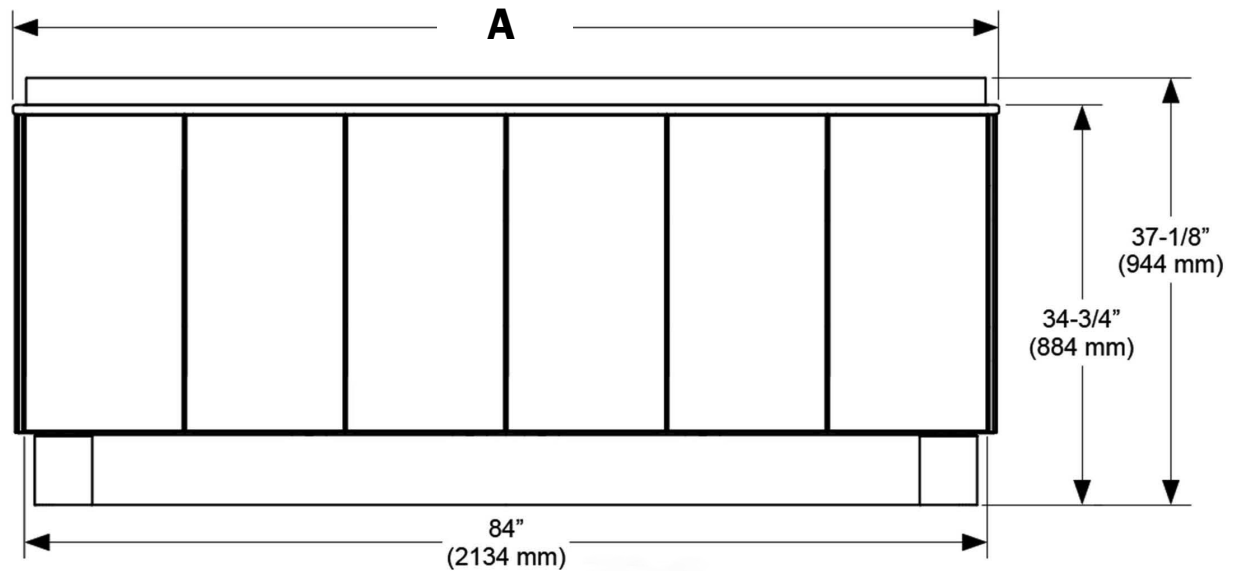
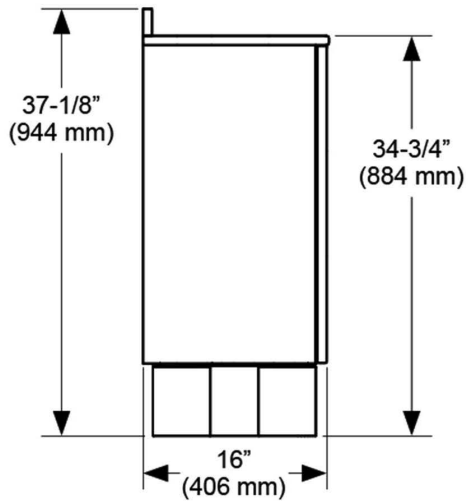
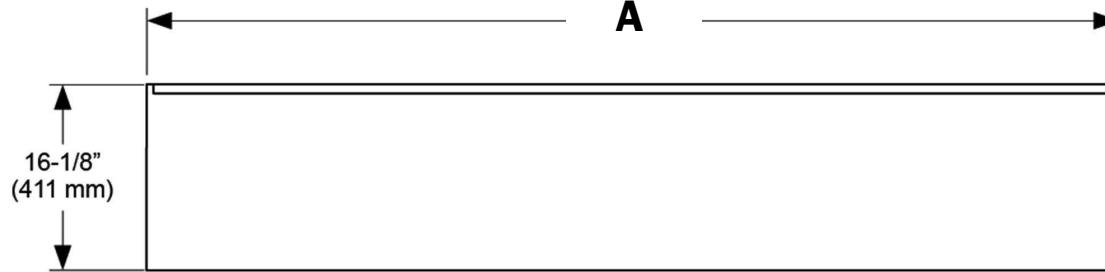




## 593 - 84" Lower Side Console, 16" Depth with 34" Countertop Height

**A**

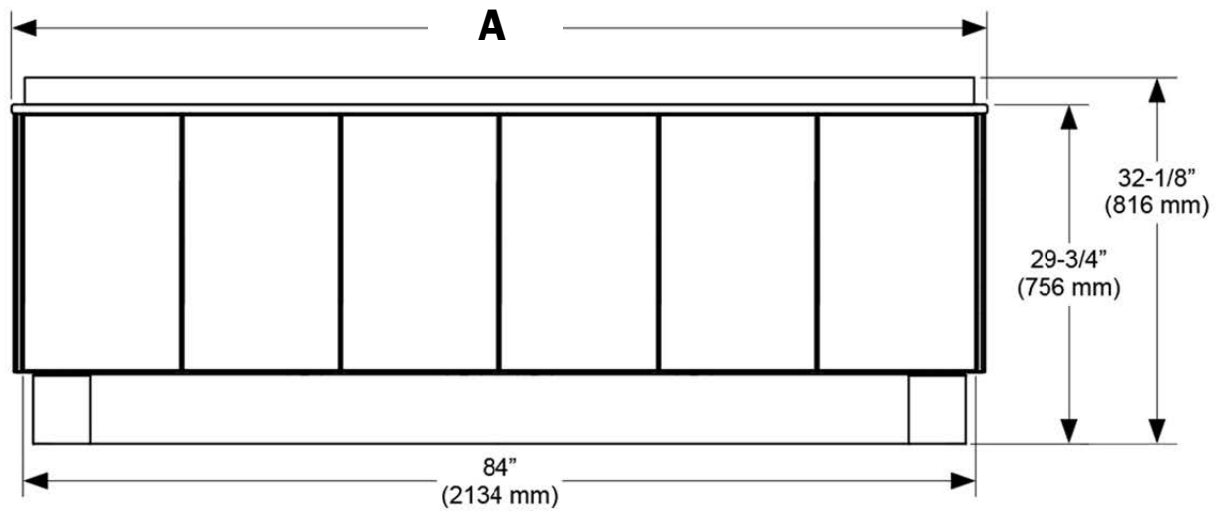
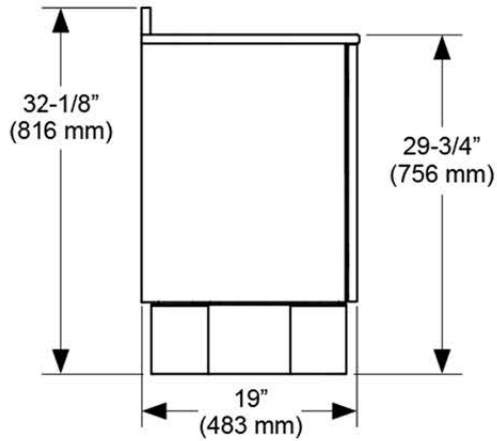
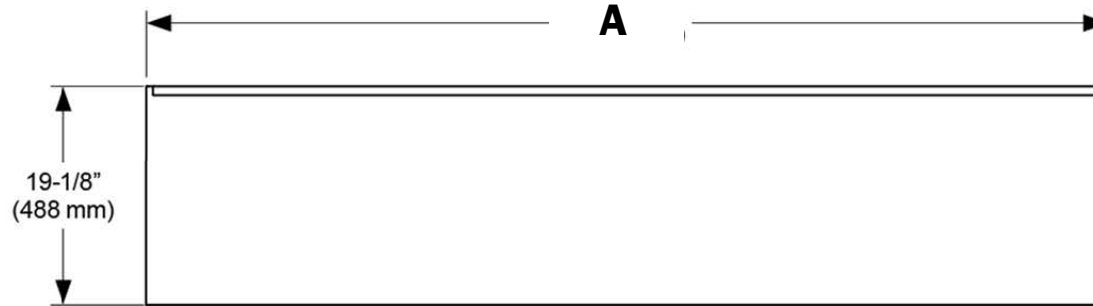
| End Cap Configuration | Width             |
|-----------------------|-------------------|
| Both flat             | 84-1/2" (2146 mm) |
| Both curved           | 85-7/8" (2181 mm) |
| Curved-flat           | 85-1/8" (2163 mm) |



# 593 - 84" Lower Side Console, 19" Depth with 30" Countertop Height

**A**

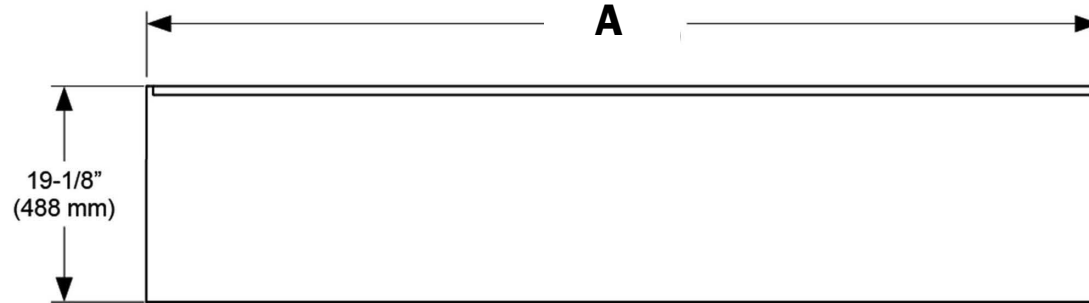
| End Cap Configuration | Width             |
|-----------------------|-------------------|
| Both flat             | 84-1/2" (2146 mm) |
| Both curved           | 85-7/8" (2181 mm) |
| Curved-flat           | 85-1/8" (2163 mm) |



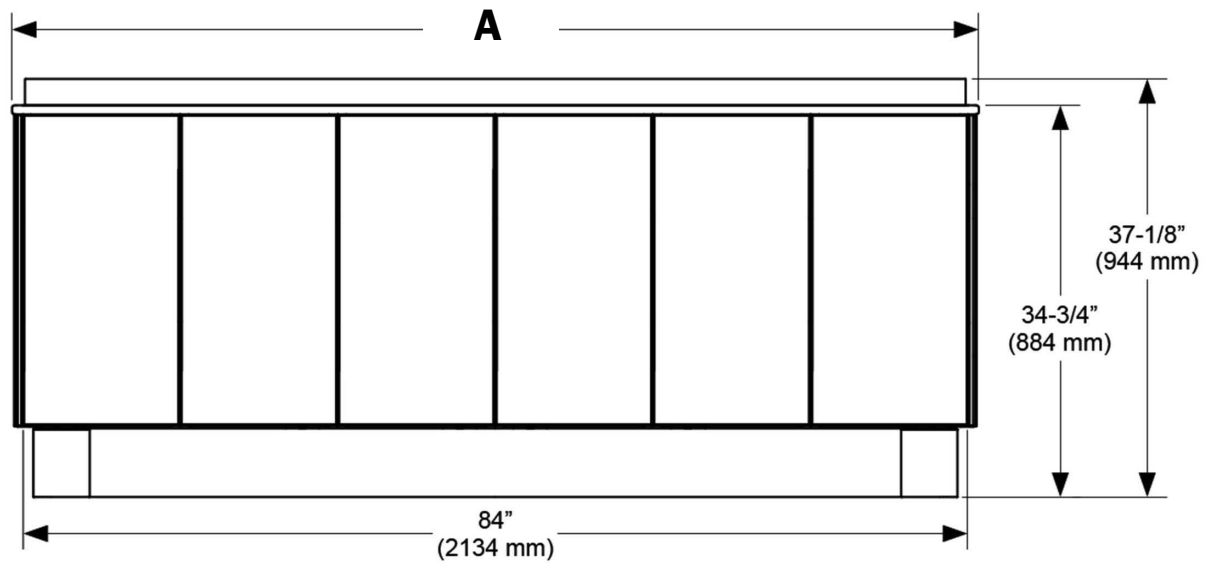
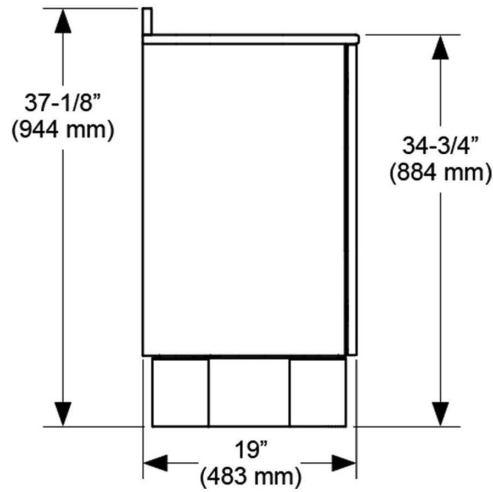
## 593 - 84" Lower Side Console, 19" Depth with 34" Countertop Height

**A**

| End Cap Configuration | Width             |
|-----------------------|-------------------|
| Both flat             | 84-1/2" (2146 mm) |
| Both curved           | 85-7/8" (2181 mm) |
| Curved-flat           | 85-1/8" (2163 mm) |



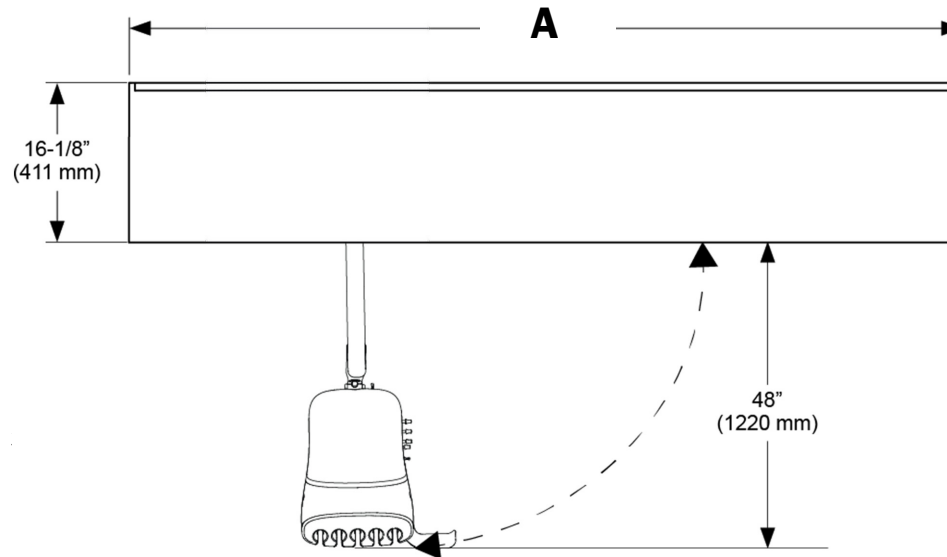
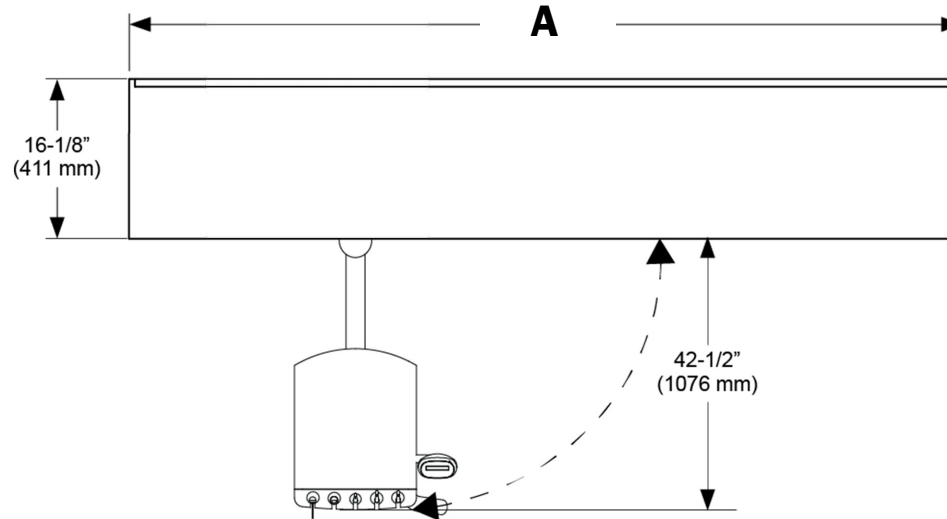
**Flat End Caps Configuration**



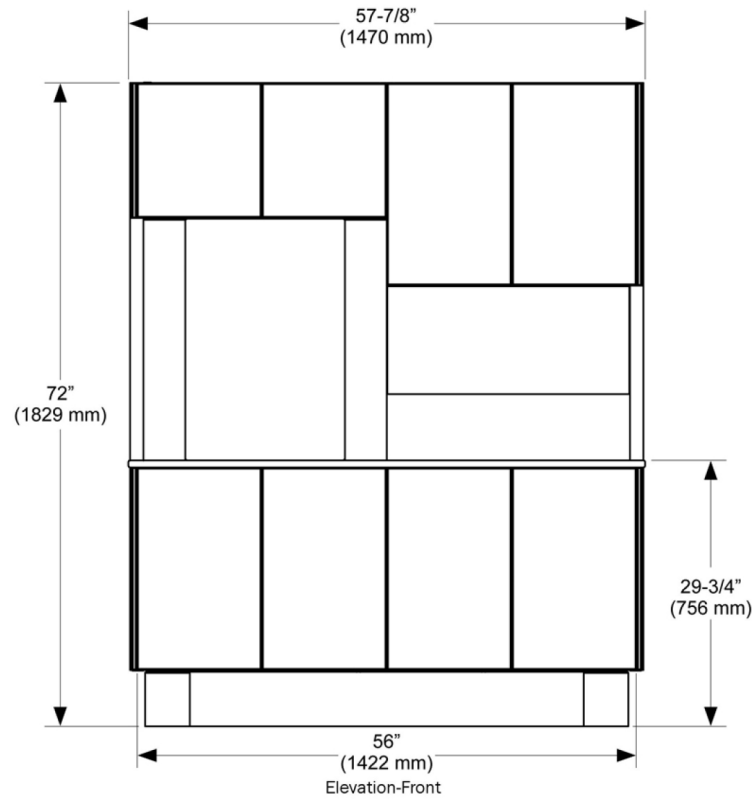
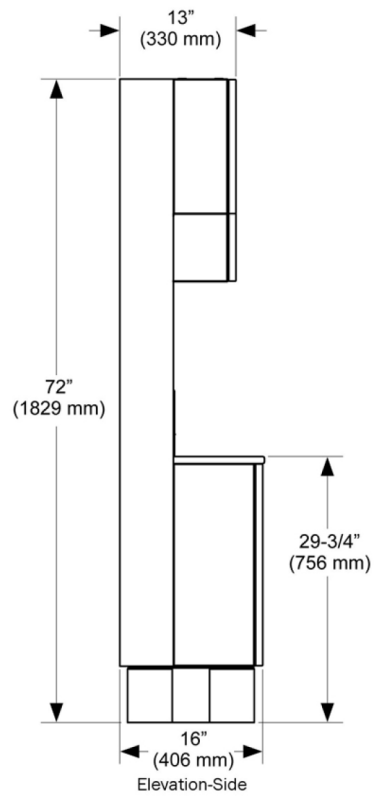
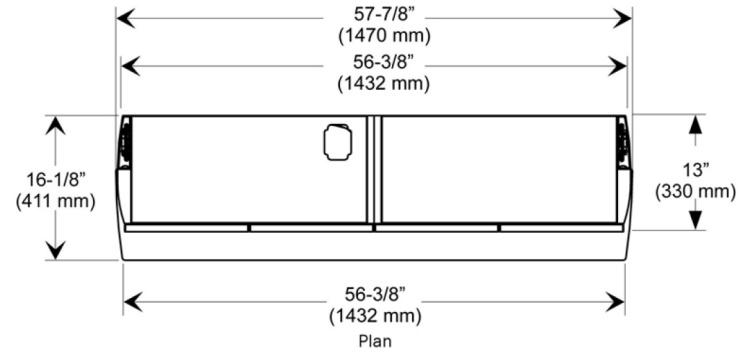
# 593 - 84" Lower Side Console, 16" Depth with 34" Countertop with a Delivery System, Flat End Caps

**A**

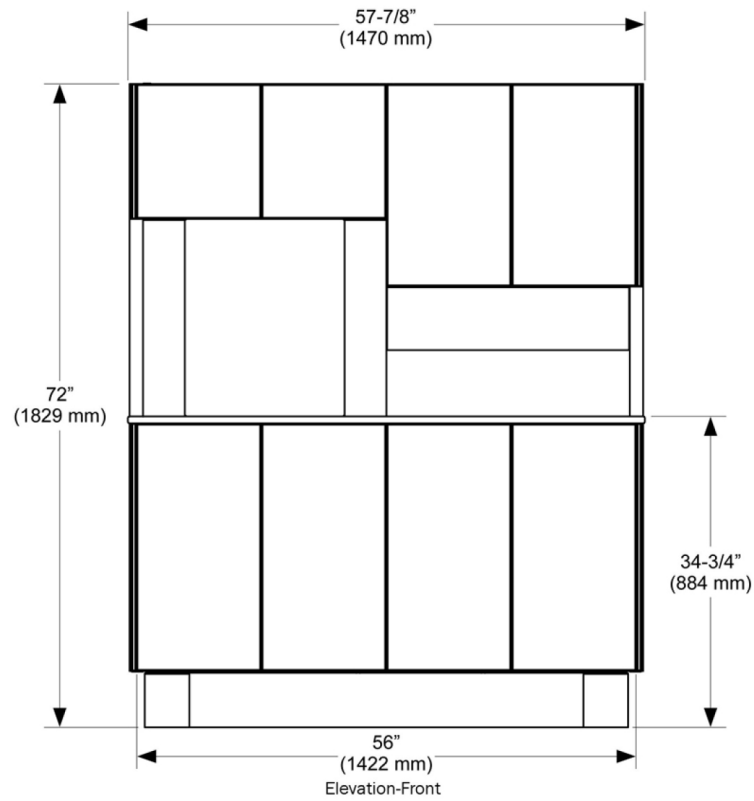
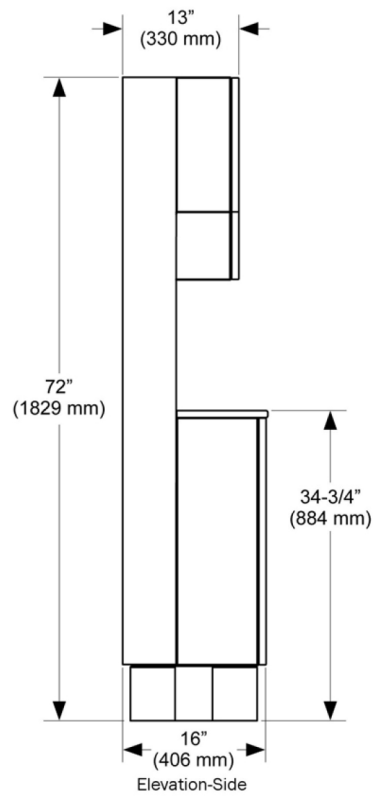
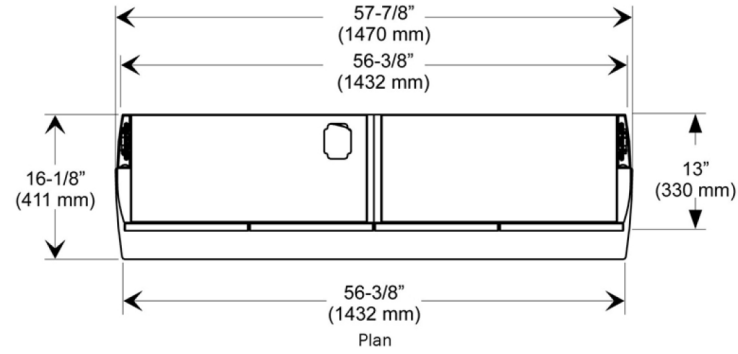
| End Cap Configuration | Width             |
|-----------------------|-------------------|
| Both flat             | 84-1/2" (2146 mm) |
| Both curved           | 85-7/8" (2181 mm) |
| Curved-flat           | 85-1/8" (2163 mm) |



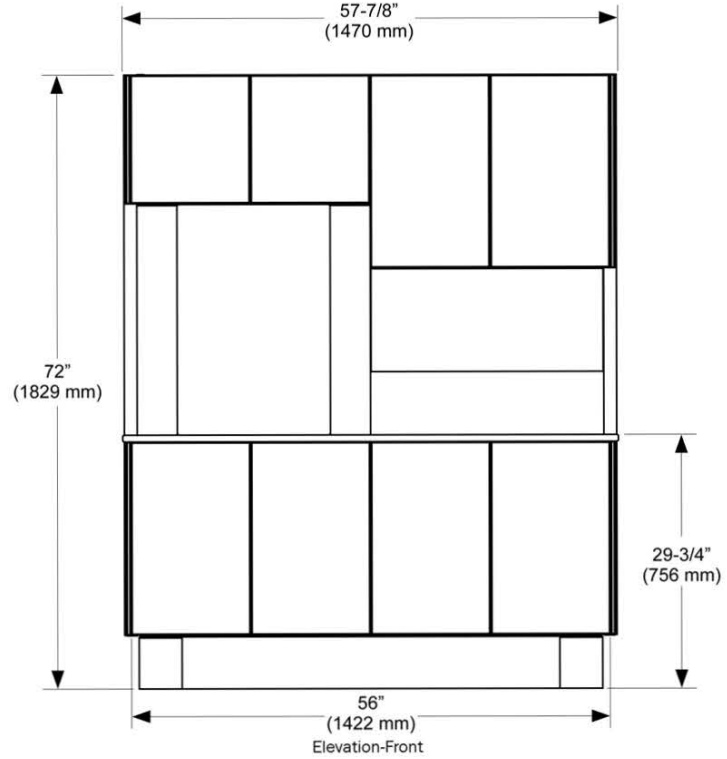
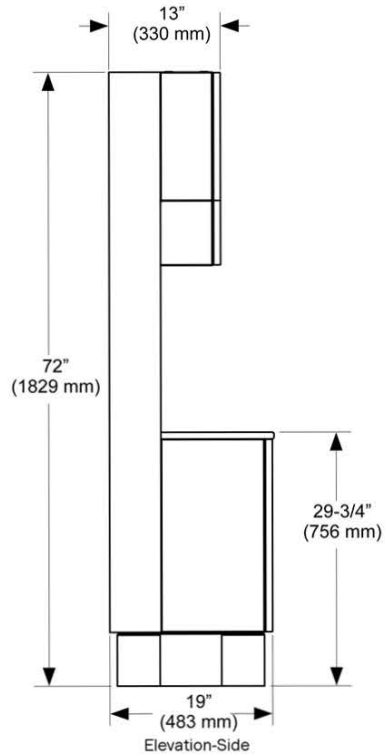
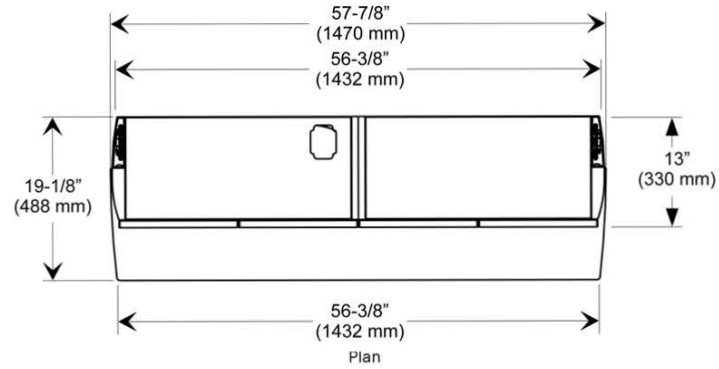
# 593 - 56" Full Side Console, 16" Depth with 30" Countertop Height



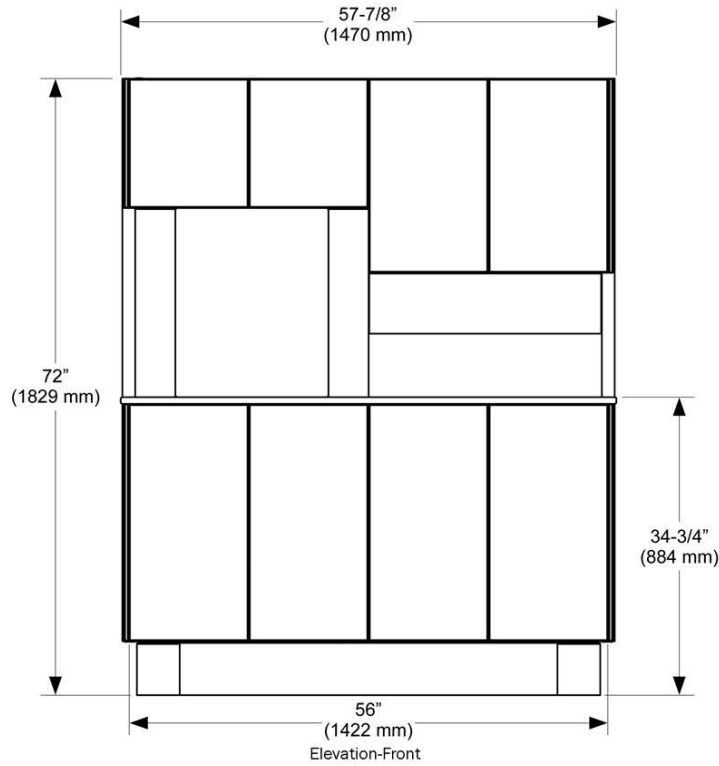
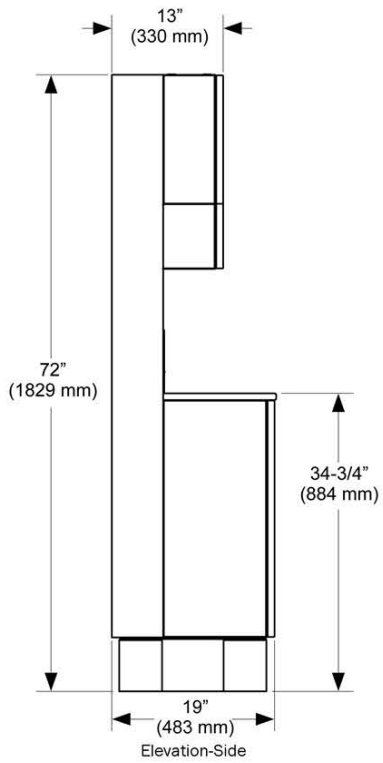
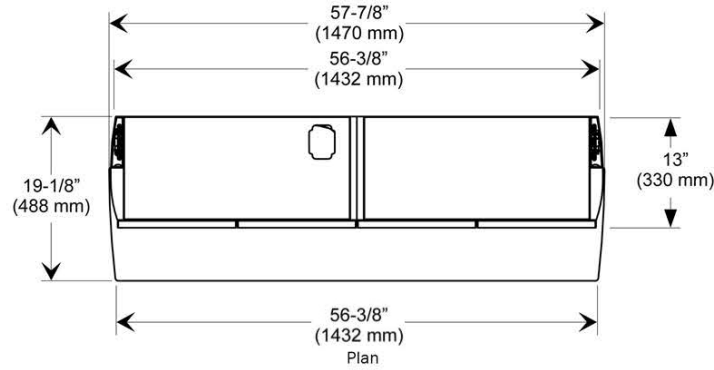
# 593 - 56" Full Side Console, 16" Depth with 34" Countertop Height



# 593 - 56" Full Side Console, 19" Depth with 30" Countertop Height

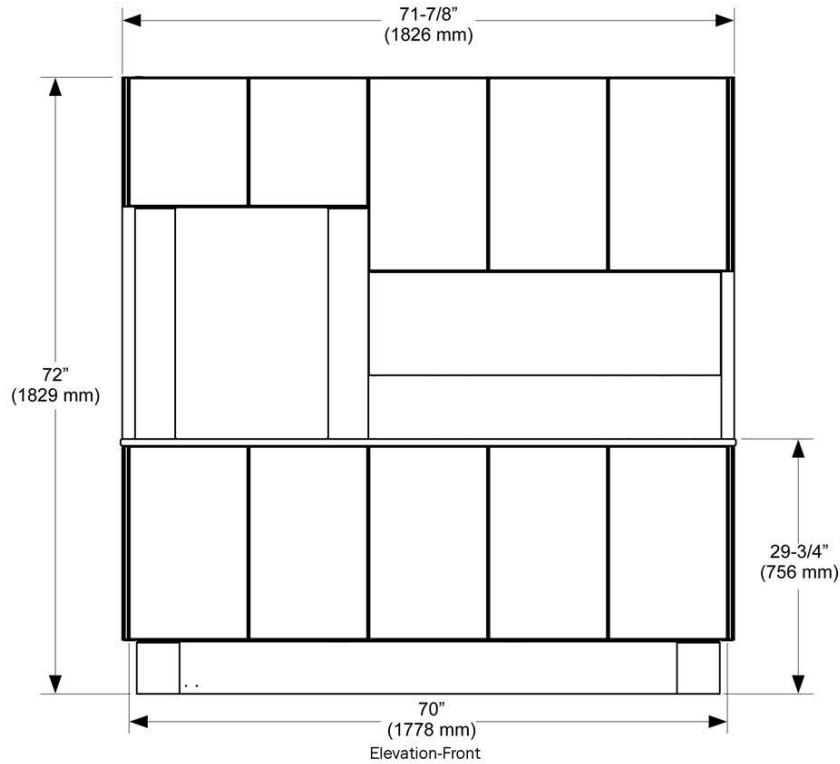
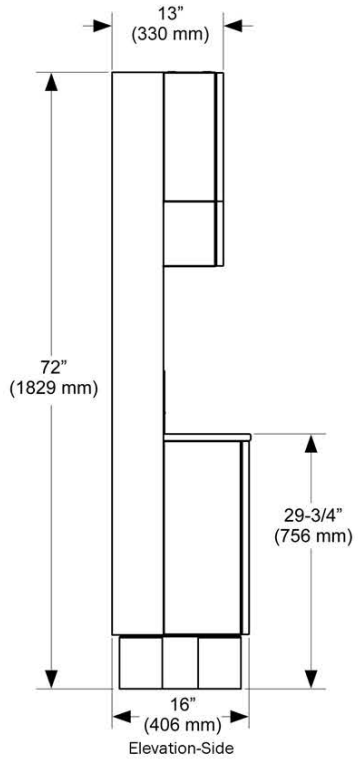
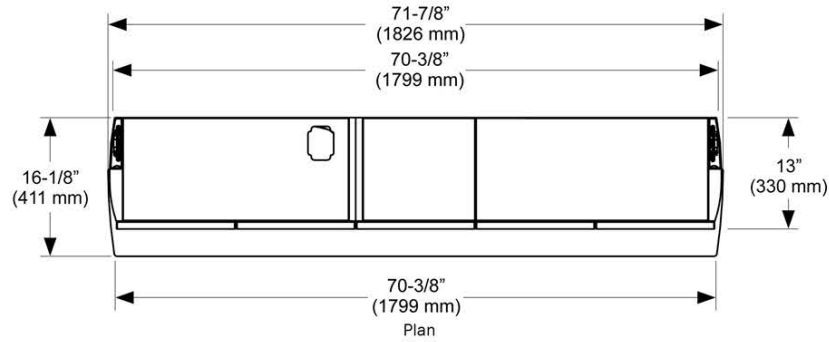


# 593 - 56" Full Side Console, 16" Depth with 34" Countertop Height

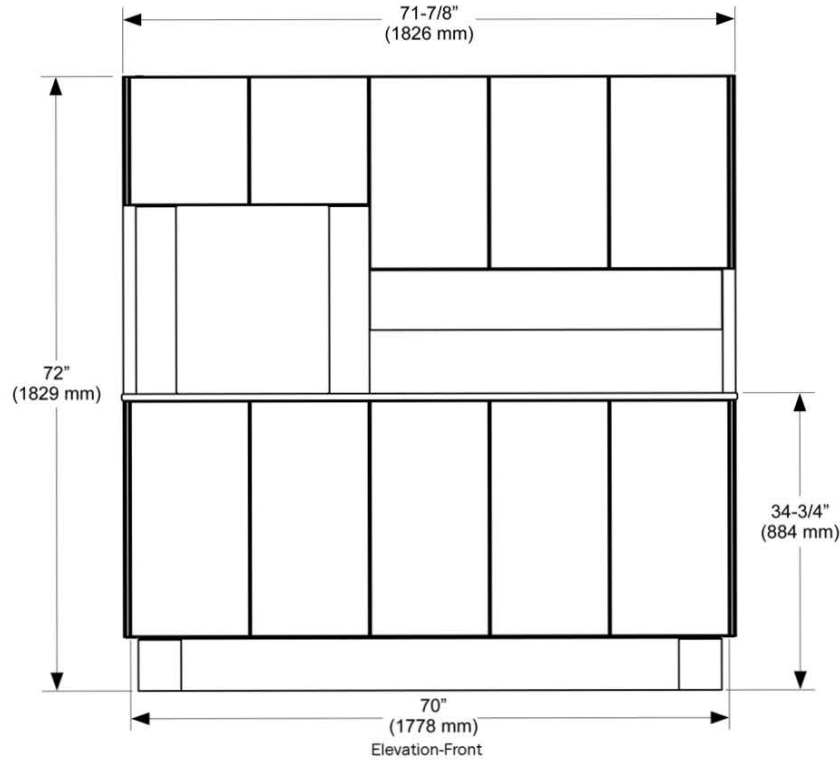
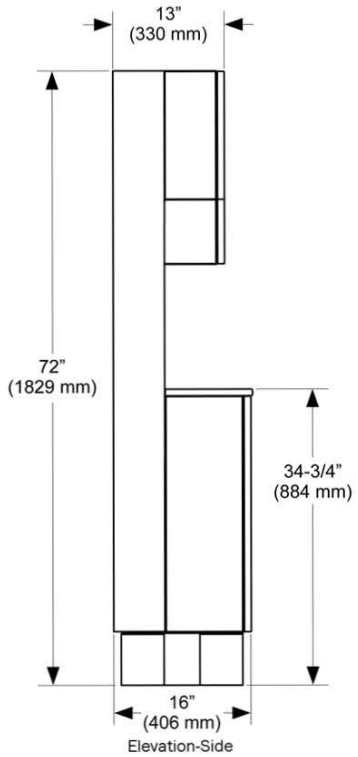
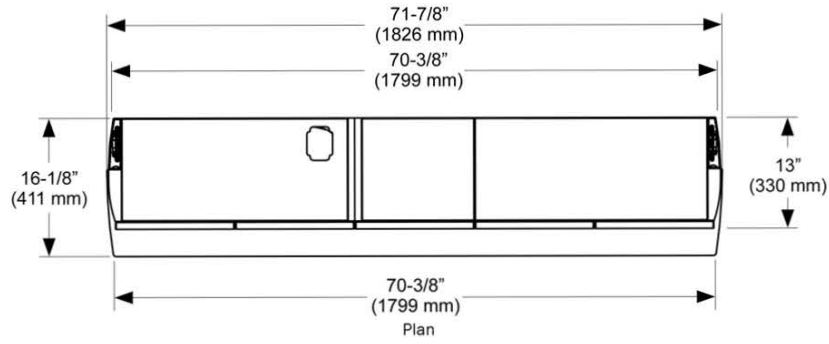




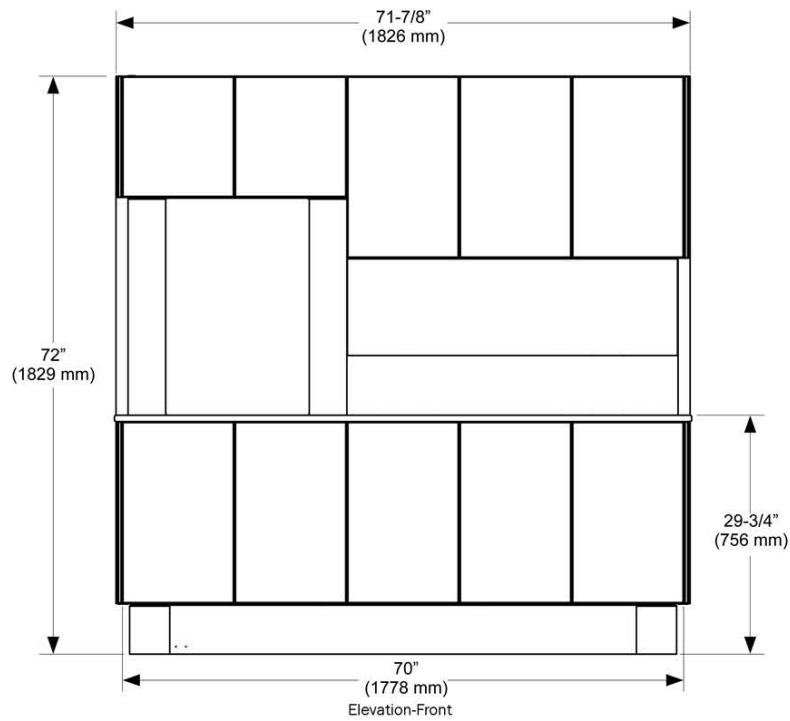
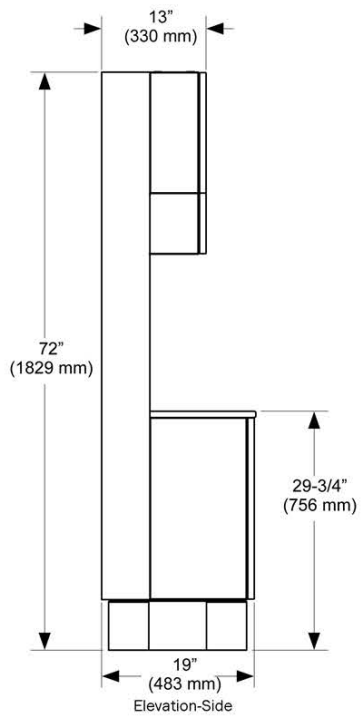
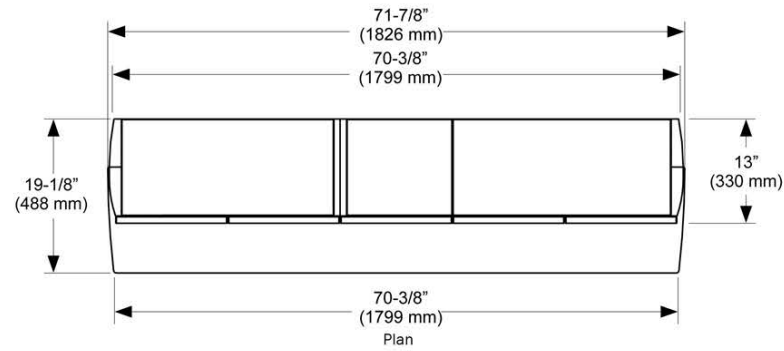
# 593 - 70" Full Side Console, 16" Depth with 30" Countertop Height



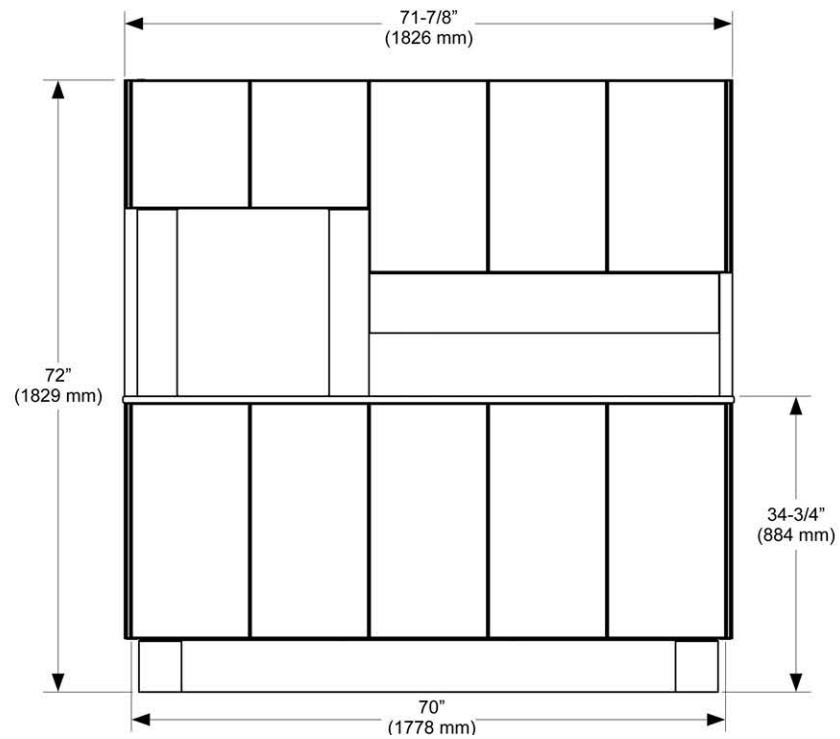
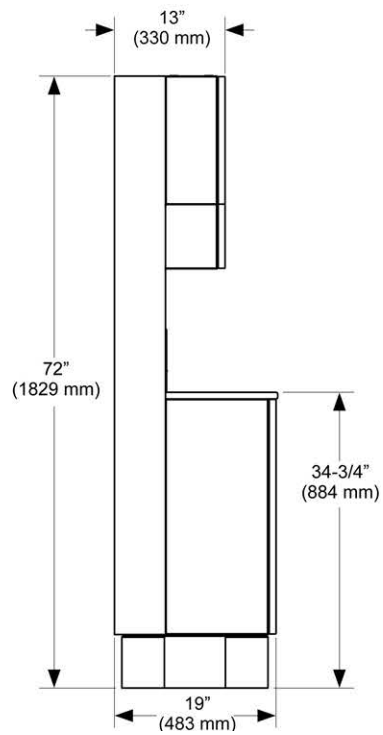
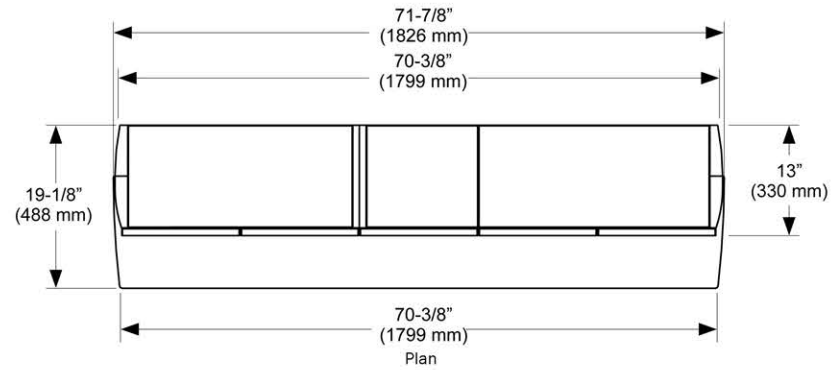
# 593 - 70" Full Side Console, 16" Depth with 34" Countertop Height



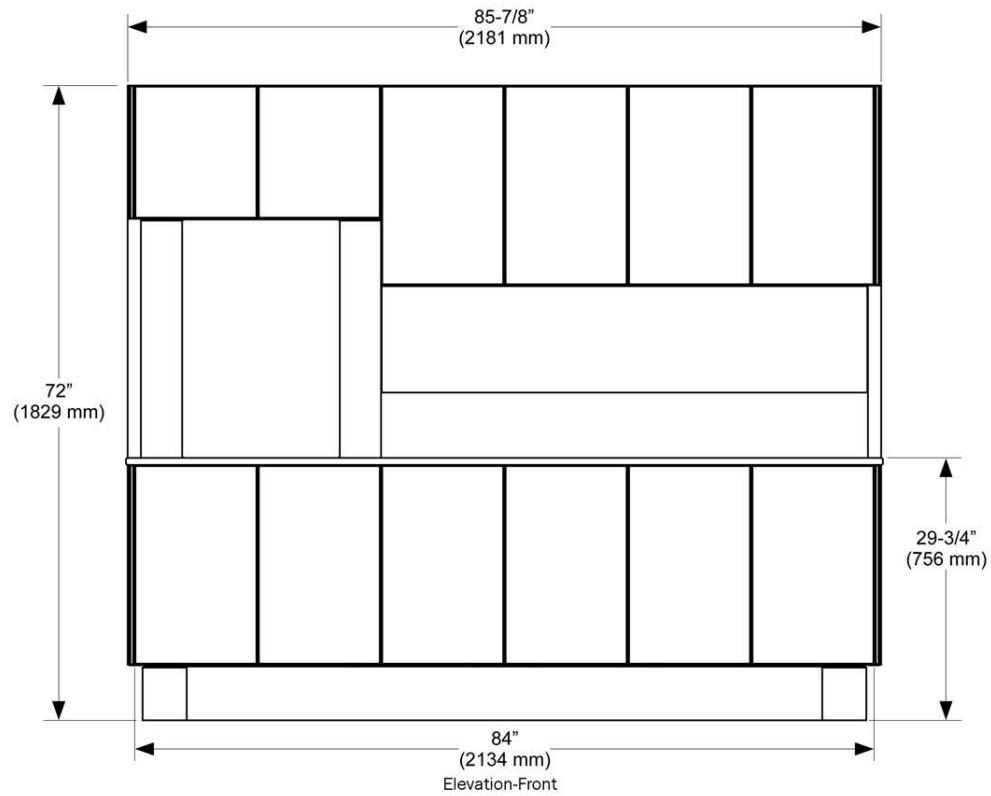
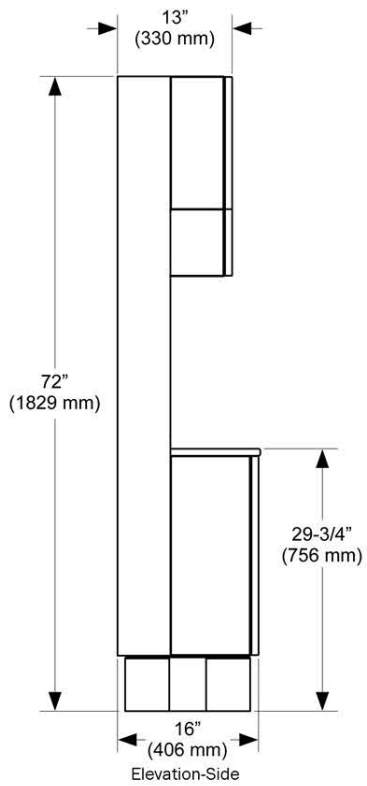
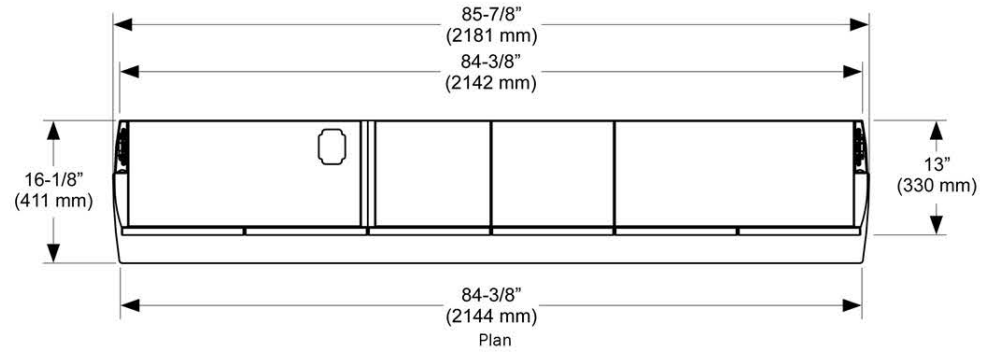
# 593 - 70" Full Side Console, 19" Depth with 30" Countertop Height



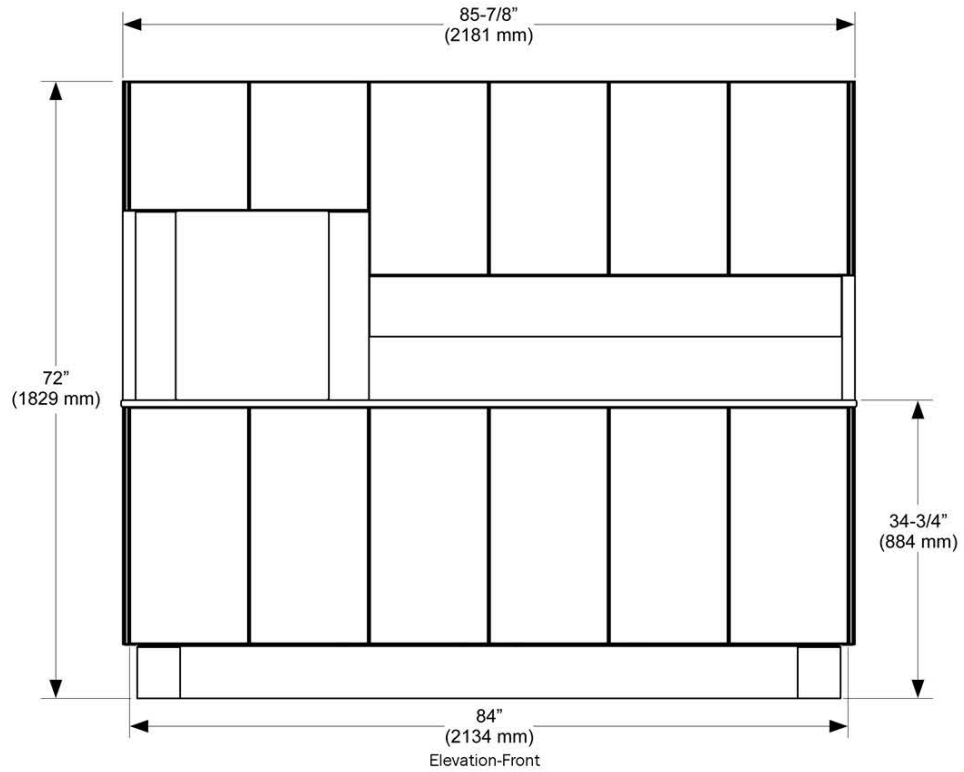
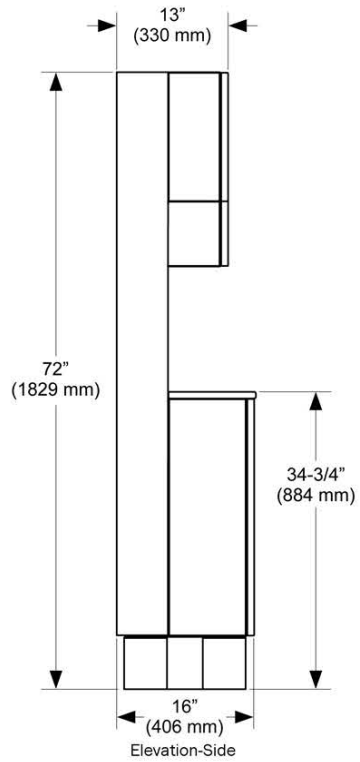
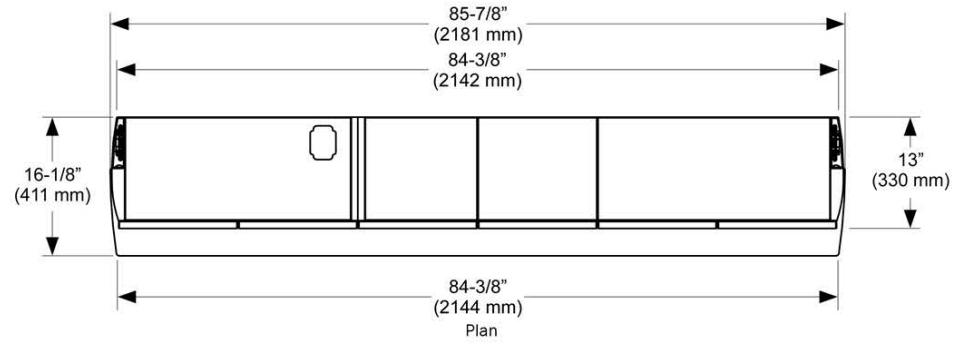
# 593 - 70" Full Side Console, 19" Depth with 34" Countertop Height



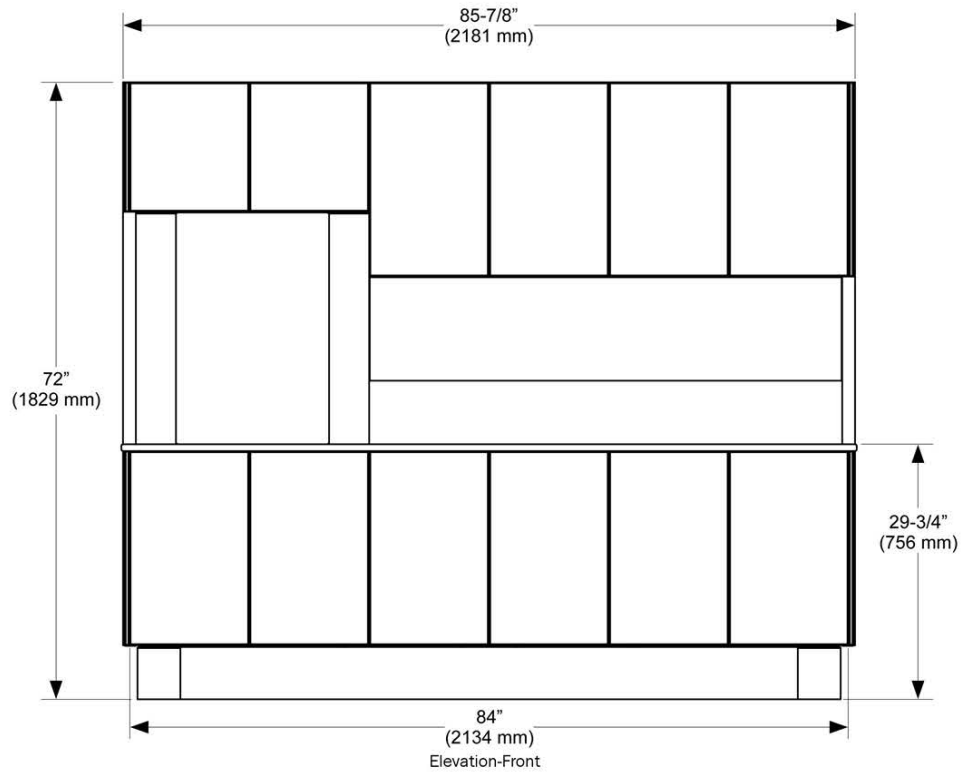
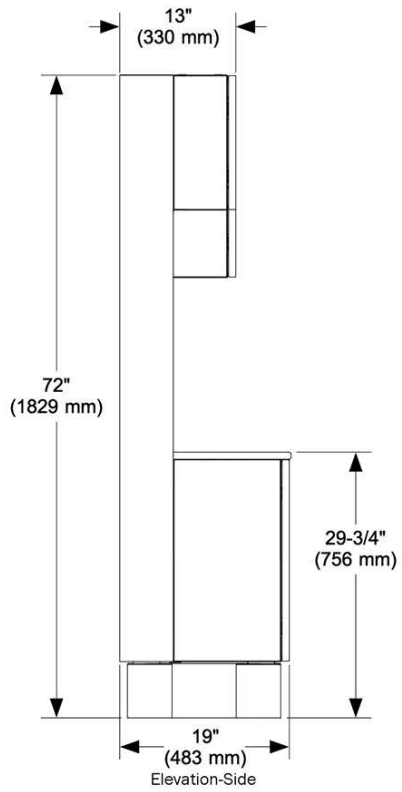
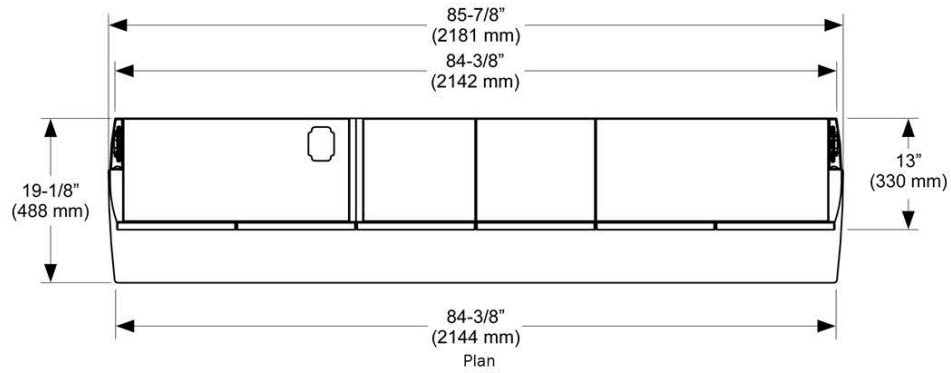
# 593 - 84" Full Side Console, 16" Depth with 30" Countertop Height



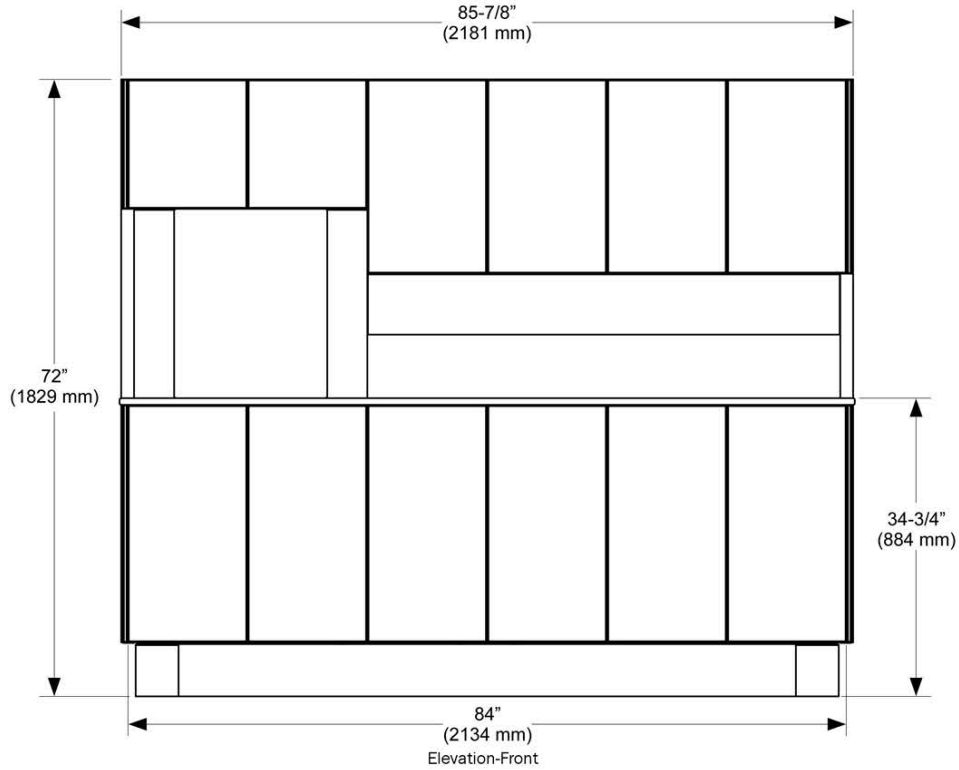
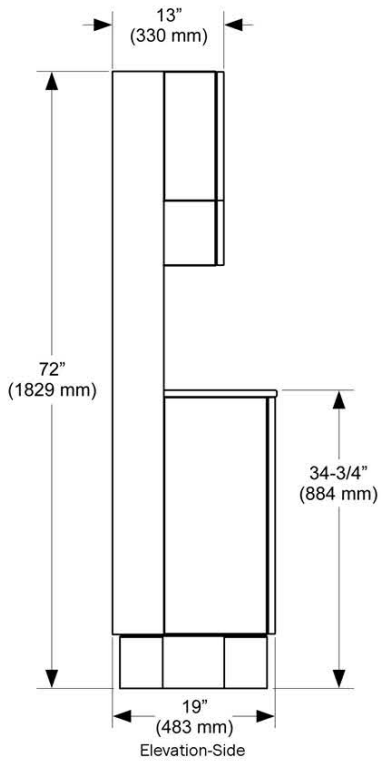
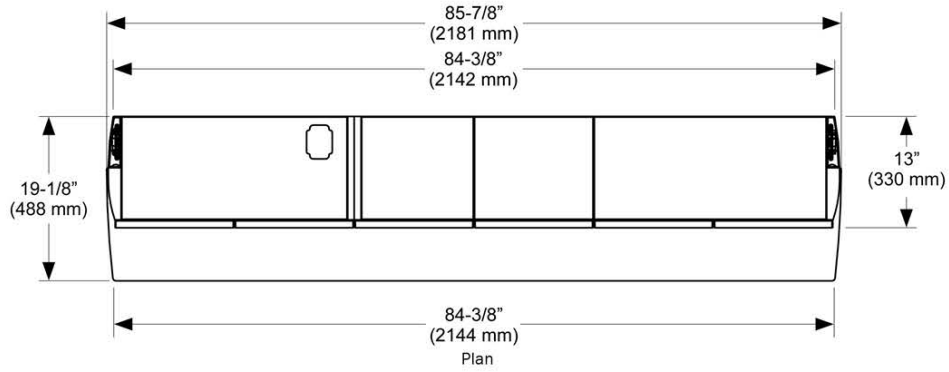
# 593 - 84" Full Side Console, 16" Depth with 34" Countertop Height



# 593 - 84" Full Side Console, 19" Depth with 30" Countertop Height

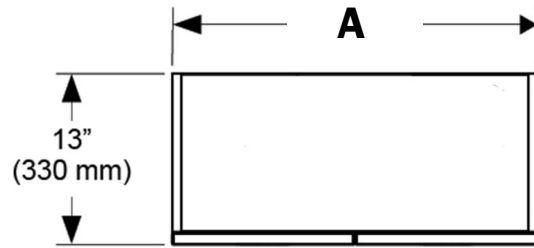


# 593 - 84" Full Side Console, 19" Depth with 34" Countertop Height



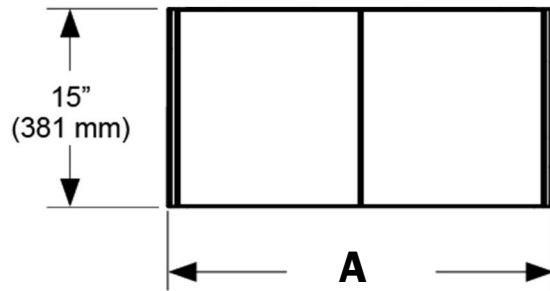
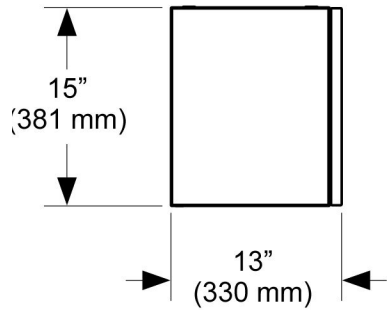


## 595 - 28" Wall-Mounted Storage

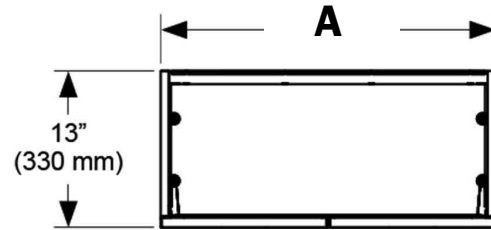


**A**

| End Cap Configuration | Width            |
|-----------------------|------------------|
| Both flat             | 28" (713 mm)     |
| Both curved           | 29-1/2" (748 mm) |
| Curved-flat           | 28-3/4" (730 mm) |

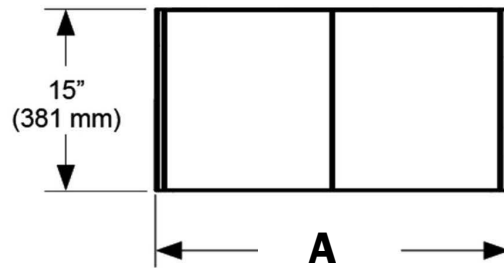
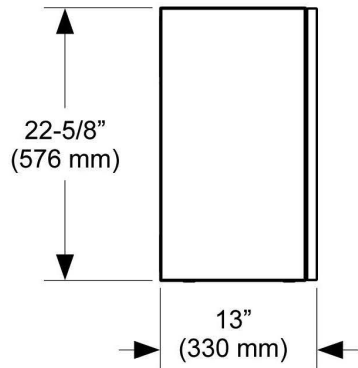


## 595 - 28" Wall-Mounted Dispenser



**A**

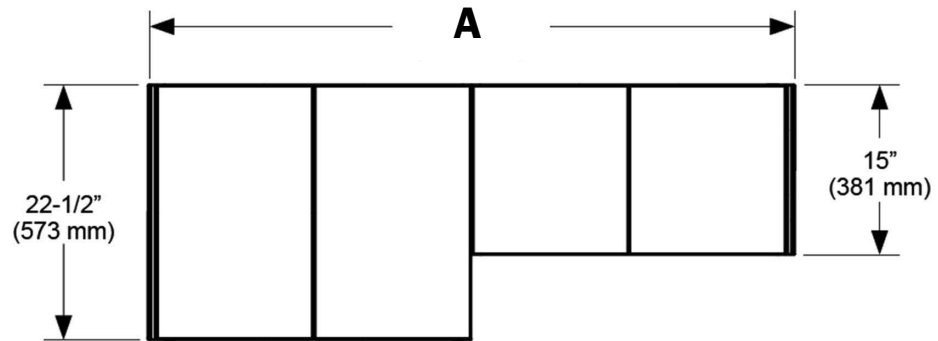
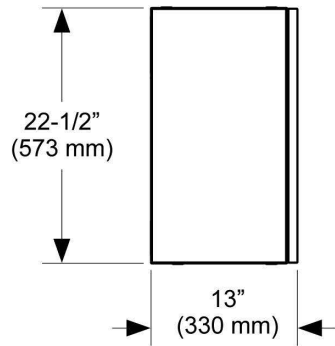
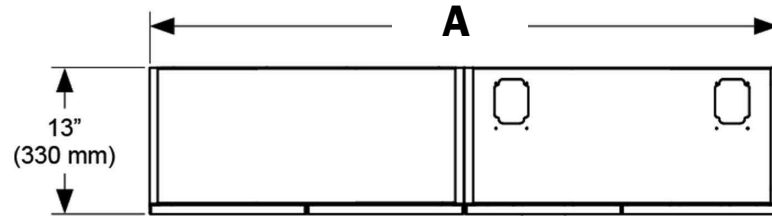
| End Cap Configuration | Width            |
|-----------------------|------------------|
| Both flat             | 28" (713 mm)     |
| Both curved           | 29-1/2" (748 mm) |
| Curved-flat           | 28-3/4" (730 mm) |



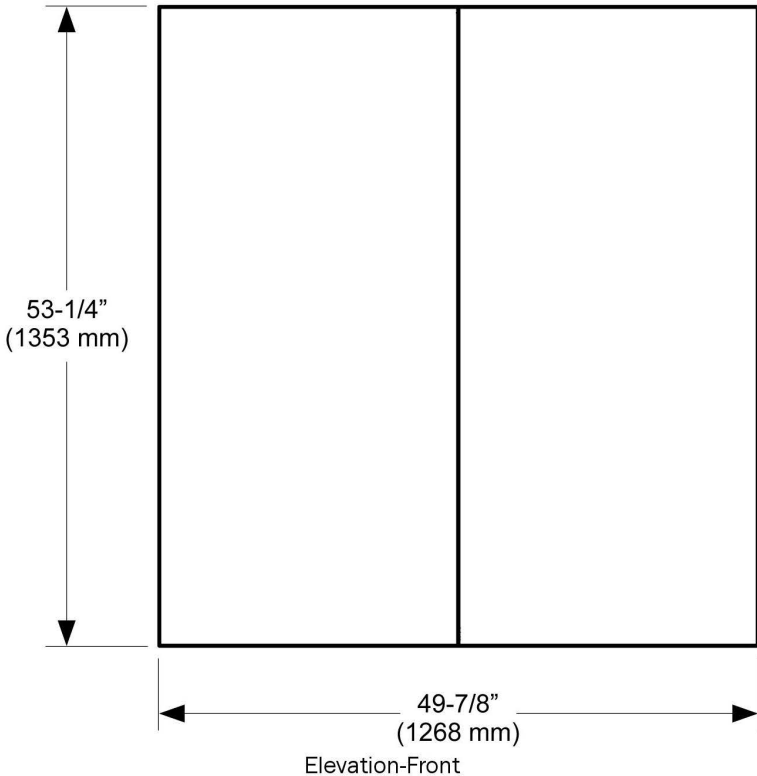
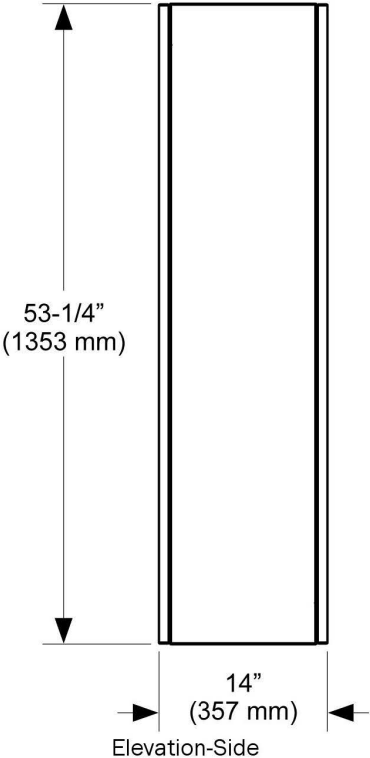
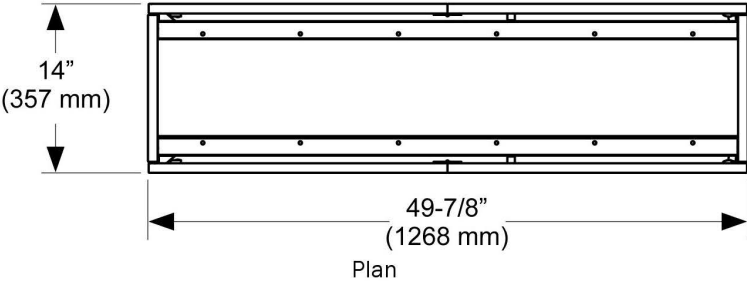
## 595 - 56" Wall-Mounted Storage and Dispenser

**A**

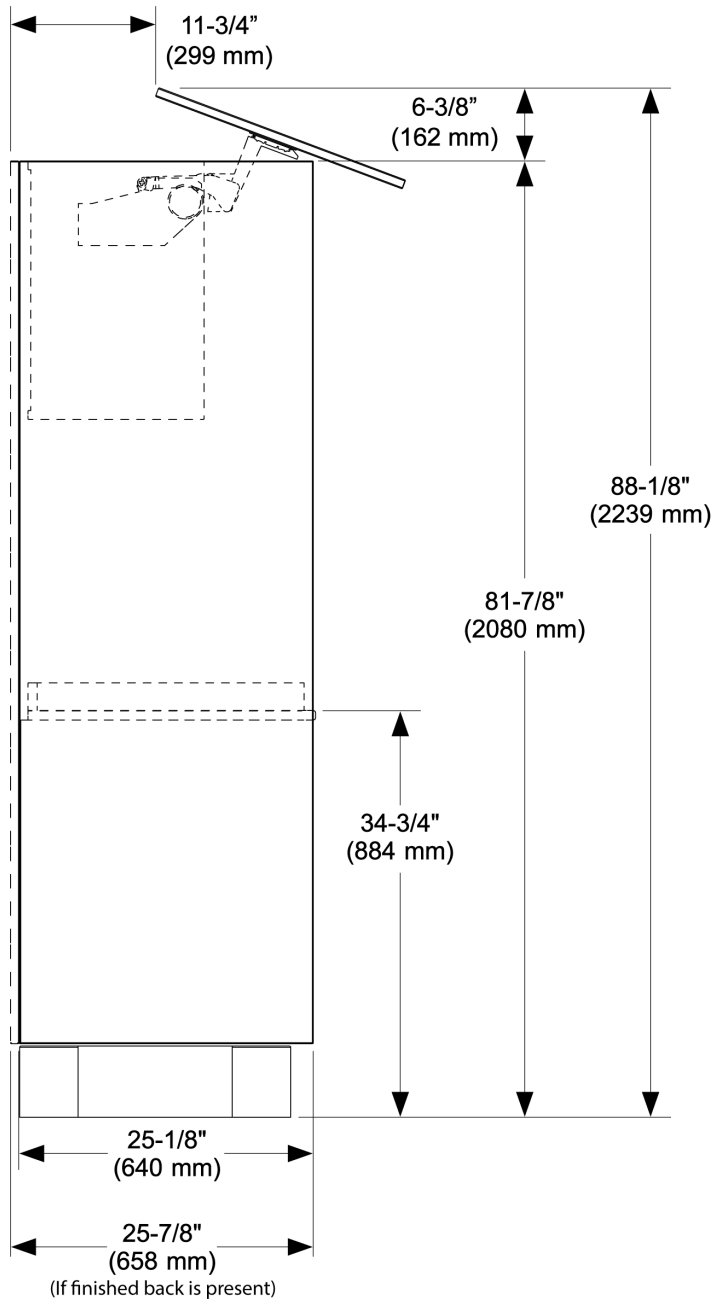
| End Cap Configuration | Width             |
|-----------------------|-------------------|
| Both flat             | 56-1/4" (1426 mm) |
| Both curved           | 57-3/4" (1461 mm) |
| Curved-flat           | 57" (1444 mm)     |



# 595 - 48" X-Ray Storage Insert



# 594 - 82" Straight Sterilization Center





**A-dec Headquarters, 2601 Crestview Drive, Newberg, OR 97132 USA**

Tel: 1.800.547.1883 Within USA/Canada, Tel: 1.503.538.7478 Outside USA/Canada

[www.a-dec.com](http://www.a-dec.com)

*A-dec, Inc. makes no warranty of any kind with regard to the content in this document including, but not limited to, the implied warranties of merchantability and fitness for a particular purpose.*



86.0528.00 Rev H  
Date of issue 2024-02-28  
Copyright 2024 A-dec, Inc.  
All rights reserved.