

# Owner's Guide

# Instructions pour l'Utilisateur

Authorized Service Center:

A-dec, Inc  
Newberg, Oregon 97132 USA  
2601 Crestview Drive  
t 1-800-547-1883  
1-503-538-7478  
f 1-503-538-0276

Manufacturer:

W&H Sterilization S.r.l  
Italy, I-24060 Brusaporto(BG)  
Via Bolgara, 2  
t +39/035/66 63 000  
f +39/035/50 96 988  
e office@wnhster.it  
wh.com

Importer:

A-dec, Inc  
Newberg, Oregon 97132 USA  
2601 Crestview Drive  
t 1-800-547-1883  
1-503-538-7478  
f 1-503-538-0276



Water Steam Sterilizer  
Sterilisateur à Vapeur d'Eau



*Lisa* MB17/22

See information specific to MB22  
on pages 21, 36, 43, and 44.



# Owner's Guide

## *Lisa* MB 17

### WATER STEAM STERILIZER

**©2007 BY A-DEC INC. ALL RIGHTS RESERVED.**

2601 Crestview Drive, Newberg, OR 97132. Printed in the USA.

A-dec makes no warranty of any kind with regard to the content of this document, including but not limited to, the implied warranties of merchantability and fitness for a particular purpose. A-dec Inc. shall not be held liable for any errors contained herein or any consequential or other damages concerning the furnishing, performance or use of this material. The information in this document is subject to change without notice. If you find any problems with this document, please report them to us in writing. A-dec Inc. does not warrant that this document is error-free.

All other non-A-dec products or services mentioned in this document are covered by the trademarks, service marks, or product names designated by the companies marketing those products.

A word about this Owner's Guide: Every effort has been made to make this document as comprehensive and factual as possible.

We reserve the right, however, to make changes at any time without notice in prices, colors, materials, equipment specifications, models and availability. Since some information may have been updated since the time of printing, please check with A-dec for complete details.

**SUMMARY**

<b>1.</b>	<b>UNPACKING.....</b>	<b>5</b>
1.1.	UNPACKING THE STERILIZER .....	5
1.2.	UNPACKING THE ACCESSORIES .....	6
<b>2.</b>	<b>SETUP .....</b>	<b>7</b>
2.1.	INSTALLING THE STERILIZER.....	7
2.2.	CONNECTING THE ELECTRICAL SUPPLY .....	8
2.3.	CONNECTING THE LISA LOG64 (optional).....	9
<b>3.</b>	<b>DESCRIPTION.....</b>	<b>10</b>
3.1.	RECOGNIZING THE FRONT OF THE STERILIZER .....	10
3.2.	RECOGNIZING THE BACK OF THE STERILIZER .....	11
<b>4.</b>	<b>USE .....</b>	<b>12</b>
4.1.	LOCATING THE MAIN MENU.....	12
4.2.	USING THE WATER TANKS .....	13
4.3.	FILLING THE MAIN WATER TANK .....	14
4.4.	DRAINING THE USED WATER TANK .....	15
4.5.	PROGRAMMING .....	16
4.5.1.	<b>SELECTING A LANGUAGE .....</b>	<b>17</b>
4.5.2.	<b>PROGRAMMING THE NAME OF THE DOCTOR / CLINIC .....</b>	<b>17</b>
4.5.3.	<b>PROGRAMMING THE DATE AND TIME .....</b>	<b>18</b>
4.5.4.	<b>PROGRAMMING THE PRINTER .....</b>	<b>18</b>
4.5.5.	<b>ADJUSTING THE BRIGHTNESS OF THE TOUCH-SCREEN .....</b>	<b>19</b>
4.5.6.	<b>PROGRAMMING THE STAND-BY MODE .....</b>	<b>19</b>
4.5.7.	<b>USING THE MAINTENANCE PROGRAM SCREEN .....</b>	<b>20</b>
4.5.8.	<b>RUNNING SERVICE PROGRAMS .....</b>	<b>20</b>
4.6.	CYCLE SELECTION .....	21
4.6.1.	<b>CYCLE TABLE .....</b>	<b>21</b>
4.6.2.	<b>STARTING A CYCLE .....</b>	<b>22</b>
4.6.3.	<b>UNDERSTANDING THE CYCLE PROCEDURE .....</b>	<b>23</b>
4.6.4.	<b>COPIES OF CYCLE PRINTOUTS .....</b>	<b>23</b>
4.7.	MANUAL STOP .....	24
4.8.	LOCATING CYCLE DATA INFORMATION .....	25
4.9.	LOCATING CYCLE DATA SUMMARY (end of the cycle) .....	26
<b>5.</b>	<b>MESSAGES .....</b>	<b>27</b>
<b>6.</b>	<b>ALARMS .....</b>	<b>28</b>
6.1.	DESCRIPTION OF THE ALARMS .....	29
<b>7.</b>	<b>USER MAINTENANCE.....</b>	<b>31</b>
7.1.	PERFORMING MAINTENANCE .....	31
7.2.	CLEANING THE DOOR SEAL .....	32
7.3.	CLEANING THE CHAMBER, TRAYS, AND TRAY HOLDER.....	32
7.4.	CLEANING THE EXTERNAL PARTS .....	32
7.5.	REPLACING THE FILTER .....	32
7.6.	REPLACING THE DOOR SEAL.....	33
<b>8.</b>	<b>SERVICING CONDUCTED BY THE APPROVED TECHNICIAN .....</b>	<b>34</b>
<b>9.</b>	<b>BREAK-DOWN GUIDE .....</b>	<b>35</b>
<b>Appendix 1</b>	<b>TECHNICAL CHARACTERISTICS.....</b>	<b>36</b>
<b>Appendix 2</b>	<b>PREPARATION OF THE LOAD .....</b>	<b>37</b>
<b>Appendix 3</b>	<b>STERILIZATION MONITORING .....</b>	<b>38</b>
<b>Appendix 4</b>	<b>VACUUM TEST .....</b>	<b>39</b>
<b>Appendix 5</b>	<b>WATER QUALITY .....</b>	<b>40</b>
<b>Appendix 6</b>	<b>ACCESSORIES.....</b>	<b>41</b>
<b>Appendix 7</b>	<b>SYMBOLS .....</b>	<b>42</b>
<b>Appendix 8</b>	<b>WARRANTY .....</b>	<b>43</b>
<b>Appendix 9</b>	<b>A-dec W&amp;H Lisa Installation Checklist.....</b>	<b>44</b>

English

---

## RECOMMENDATIONS – SAFETY

The purpose of this Owner's Guide is to provide you with the information you need to ensure:

- Proper installation and set-up.
- Optimal use.
- Safe and reliable operation.
- Regular and correct servicing requirements.

## INTENDED USE

The sterilizer is intended to be used for steam sterilization of solids, textiles and hollow items unwrapped, single wrapped or double wrapped.

## GENERAL RECOMMENDATIONS – SAFETY

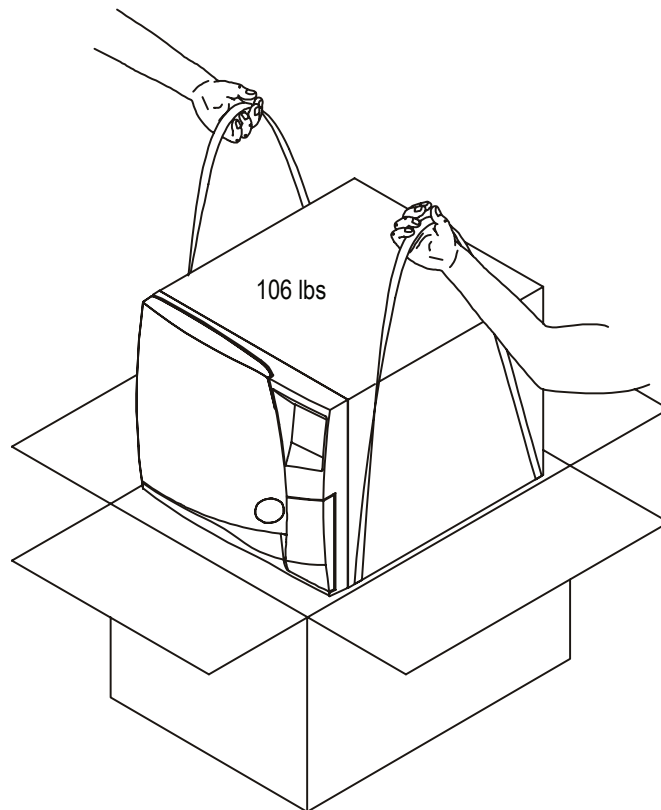
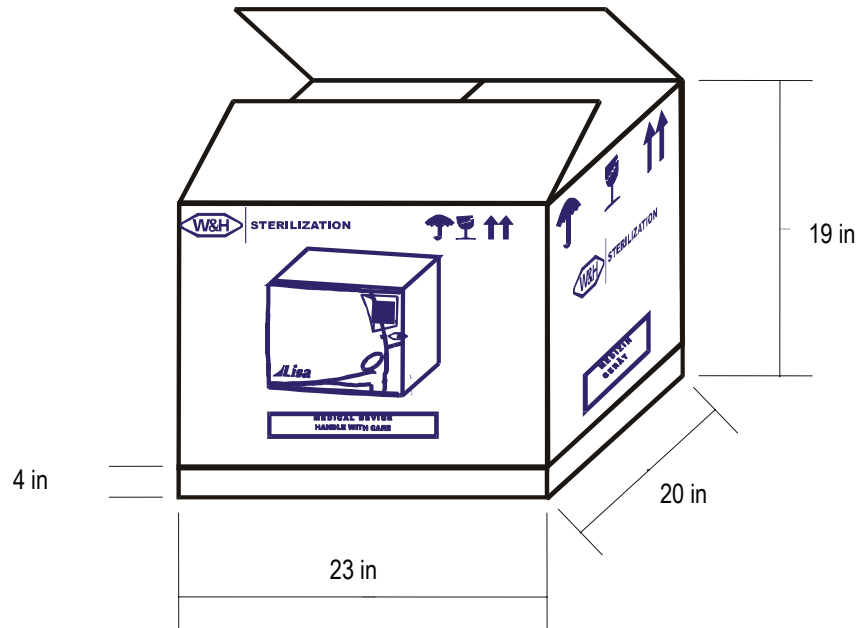
- The user is responsible for operating and servicing the sterilizer in accordance with the instructions listed in this manual.
- The sterilizer has not been designed for the sterilization of liquids.
- The sterilizer has not been designed to operate in the presence of gas or explosive vapors.
- The chamber is automatically heated to 170°F as soon as the sterilizer is switched ON.
- The trays and the load will still be hot at the end of each cycle. Use the tray holder to remove each tray from the sterilizer chamber.
- Comply with chamber loading and cycle selection (see *Cycle selection*).
- Do not remove the instruction plate or any label from the sterilizer.
- Do not pour water or any other liquid over the sterilizer.
- Unplug the electrical cord before inspecting or servicing the machine.
- Repairs and maintenance must be performed by an authorized A-dec/W&H Dealer using only original spare parts.
- In case of transport, drain both water tanks completely, allow the sterilization chamber to cool down and preferably use the original packaging (see *Filling the main water tank* and *Draining the used water tank*).

## 1. UNPACKING

The sterilizer, the accessories, the Owner's Guide and the warranty card are supplied in a sturdy box.

Check the condition of the packaging on receipt. Contact the carrier immediately and inform your supplier if the outer packaging is damaged.

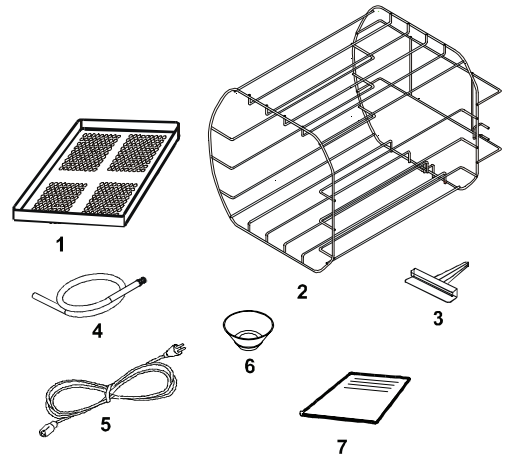
### 1.1. UNPACKING THE STERILIZER



## 1.2. UNPACKING THE ACCESSORIES

1. Open the door and remove the accessories from the sterilization chamber.
2. Check the contents:

- ① Five anodized aluminum trays
- ② Reversible rack for 3 cassettes or 5 trays
- ③ Tray holder
- ④ Drain tube
- ⑤ Power cord
- ⑥ Funnel
- ⑦ Owner's Guide and warranty card



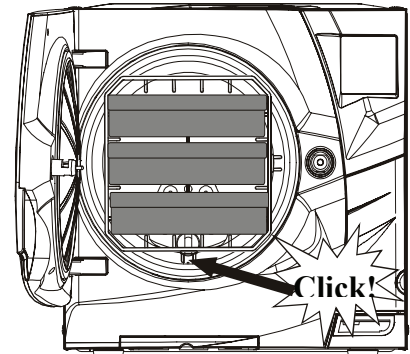
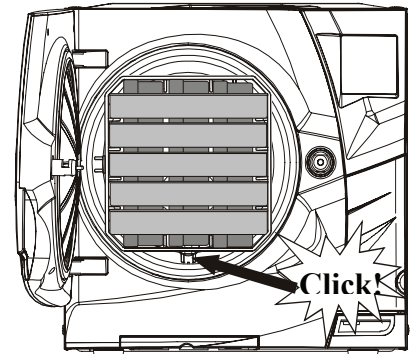
3. Insert the rack into the sterilization chamber and click it into position.

The rack is reversible and can be positioned to take either:

5 trays horizontally or 3 cassettes vertically

or

3 trays / cassettes horizontally



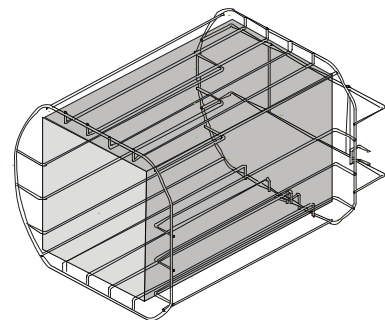
### Usable space

This equates to the usable volume of the chamber accommodating the sterilizable load.

This volume is equivalent to a pipe with the following dimensions:

L: 7.5 in, H: 8 in, W: 12 in (i.e., 13 quarts).

This volume is identical for all cycles and all types of load.

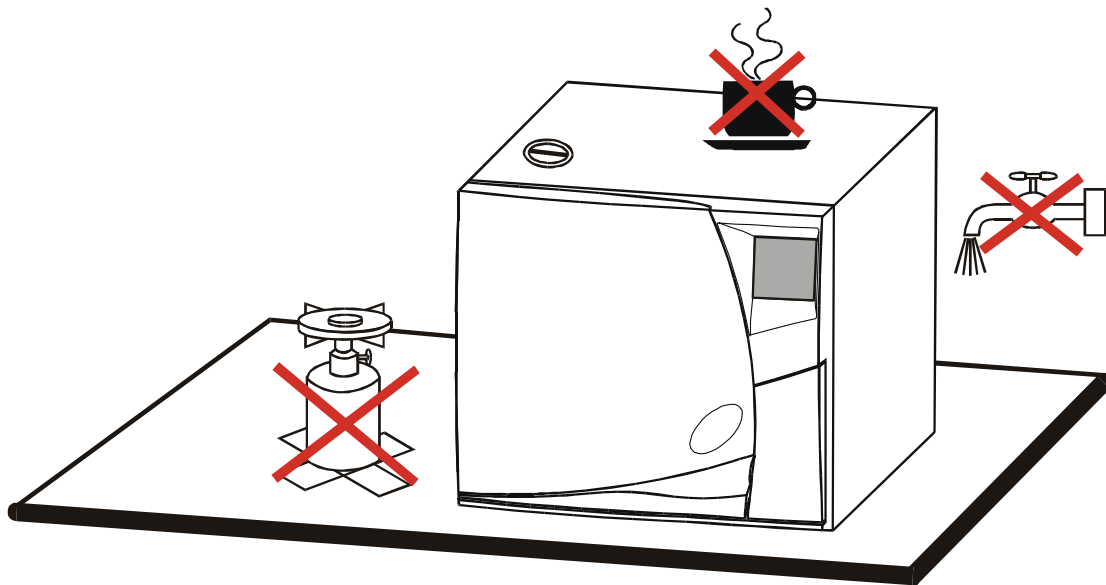


## 2. SETUP

### 2.1. INSTALLING THE STERILIZER

The sterilizer has been calibrated and tested in the factory. It does not require calibration during installation.

Working temperature range: 50°F to 104°F / Humidity: 0 to 90%  
 Storage temperature range: -4°F to 140°F / Humidity: 0 to 90% (water tanks empty)



#### Install the sterilizer as outlined below:

1. Install the sterilizer on a flat and level surface. Do not level the sterilizer itself but the surface it is placed on.  
 The maximum weight of the sterilizer with the main water tank full and the chamber fully loaded is 125 lbs.
2. Leave a gap of two inches at the back and one inch on each side of the sterilizer to ensure adequate ventilation.
3. Do not place the sterilizer near a sink or in a location where it is likely to be splashed.
4. Install the sterilizer in a well-ventilated room.
5. Keep away from all sources of heat.

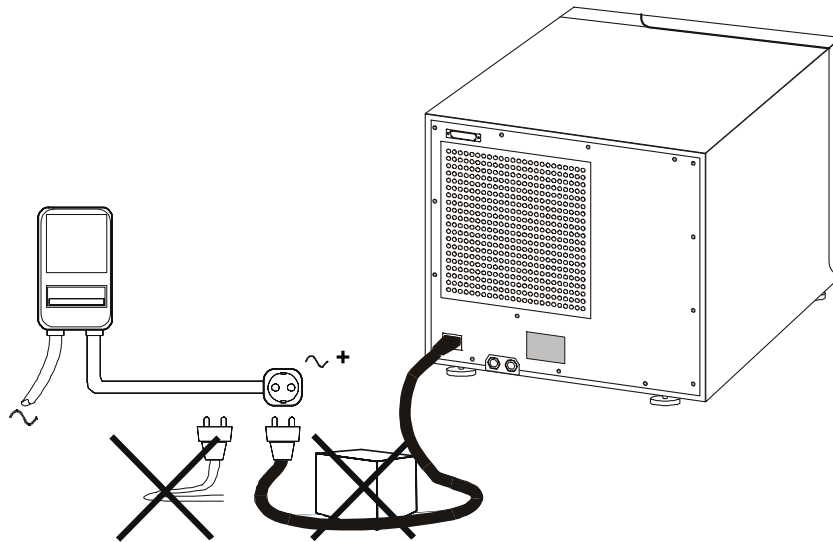


## 2.2. CONNECTING THE ELECTRICAL SUPPLY

To assure proper function of the Lisa MB17, the power supplied must be a consistent source of single phase 230/240 VAC +/-10% (207–264 VAC), 50/60 Hz, minimum 10 Amp. on a dedicated circuit.

Voltages below 230/240 VAC will increase the total cycle time of a selected sterilization cycle. Voltages under 215 VAC are subject to voltage drops caused by line voltage irregularities which may cause sterilizer errors.

To ensure ideal cycle times and to avoid error codes caused by voltage drops when line voltages are under 215 VAC, the installation of a buck boost transformer (to bring voltage to 230/240 VAC) is recommended.

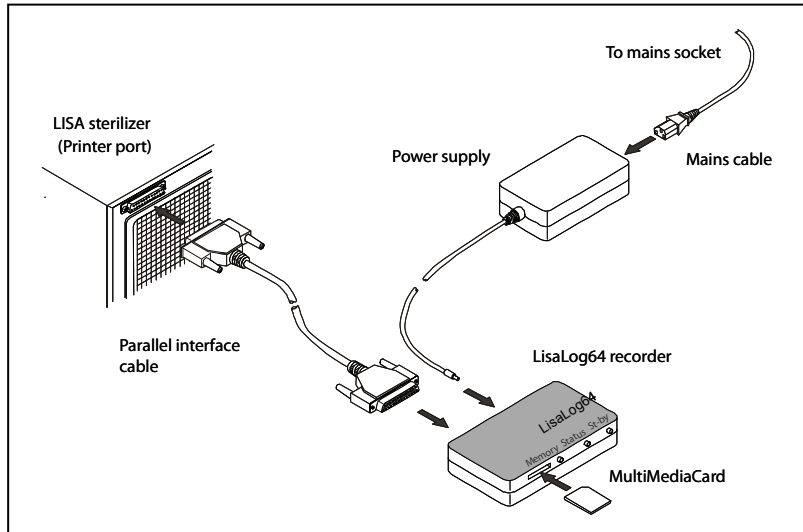


- The electrical installation must comply with the current local/national standards.
- If unclear, have the installation checked by a qualified technician.
- Ensure the power supply is properly grounded.
- The maximum power consumption of the sterilizer is 2100 W (9.2A).
- Only use the power cord delivered with the sterilizer.
- Do not plug other equipment into the same socket.
- Avoid sharp bends or twists in the electrical cable.

## 2.3. CONNECTING THE LISA LOG64 (optional)

The Lisa Log64 is used to digitally save sterilization cycle parameters on a memory card (SD card) for cycle data recording and documentation. The cycle data can be transferred from the memory card to a computer.

Place the recorder on top of the sterilizer or next to it. Do not cover any of the sterilizer tank holes and do not place the device behind the sterilizer to prevent damage from heat.



### Connecting the Lisa Log64

1. Turn off the Lisa sterilizer.
2. Attach one end of the parallel interface cable to the parallel port of the sterilizer, located at the rear/top-right corner, and the other end of the interface cable to the parallel port of the recorder module.
3. Connect the power supply to the recorder module.
4. Switch on the sterilizer.
5. Insert the memory card (SD card) into the recorder card slot as shown below. Use memory cards with storage capacity of 128MB or less. Cards with higher storage capacity will not work with the device.

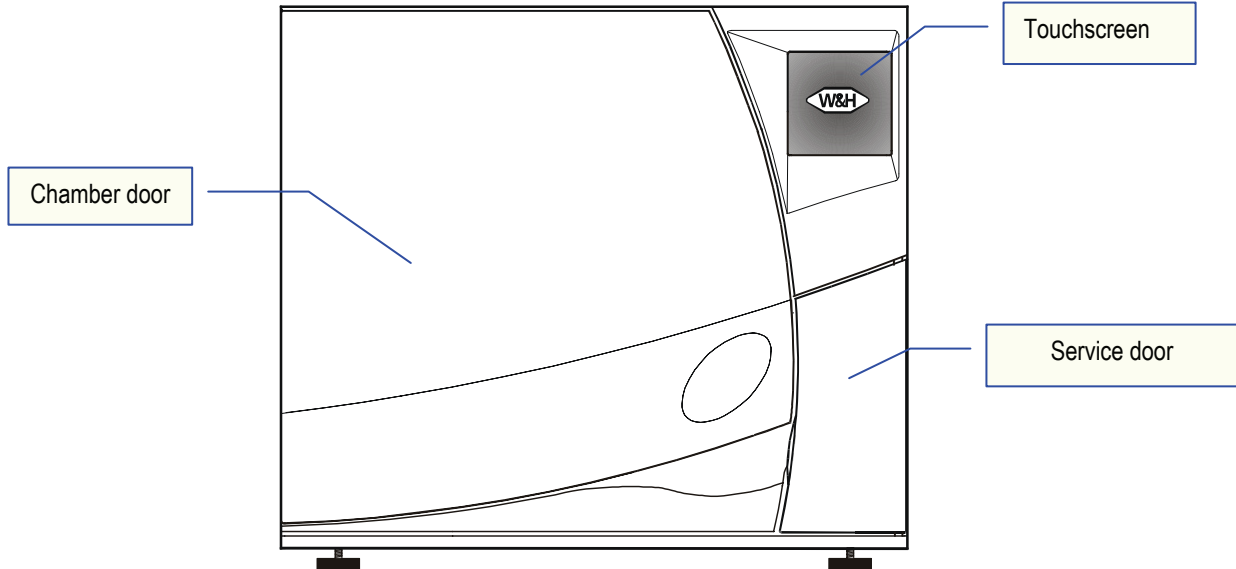
Cycle data will be automatically saved on the memory card. You do not need to change any of the settings on the sterilizer. Transfer cycle data from the memory card to your computer or network periodically. There is no special software required for cycle data management; simply open single data files by double-clicking on them to view cycle data.

The system saves one data file for every cycle that has been run on the sterilizer. The following information can be viewed once a data file is opened:

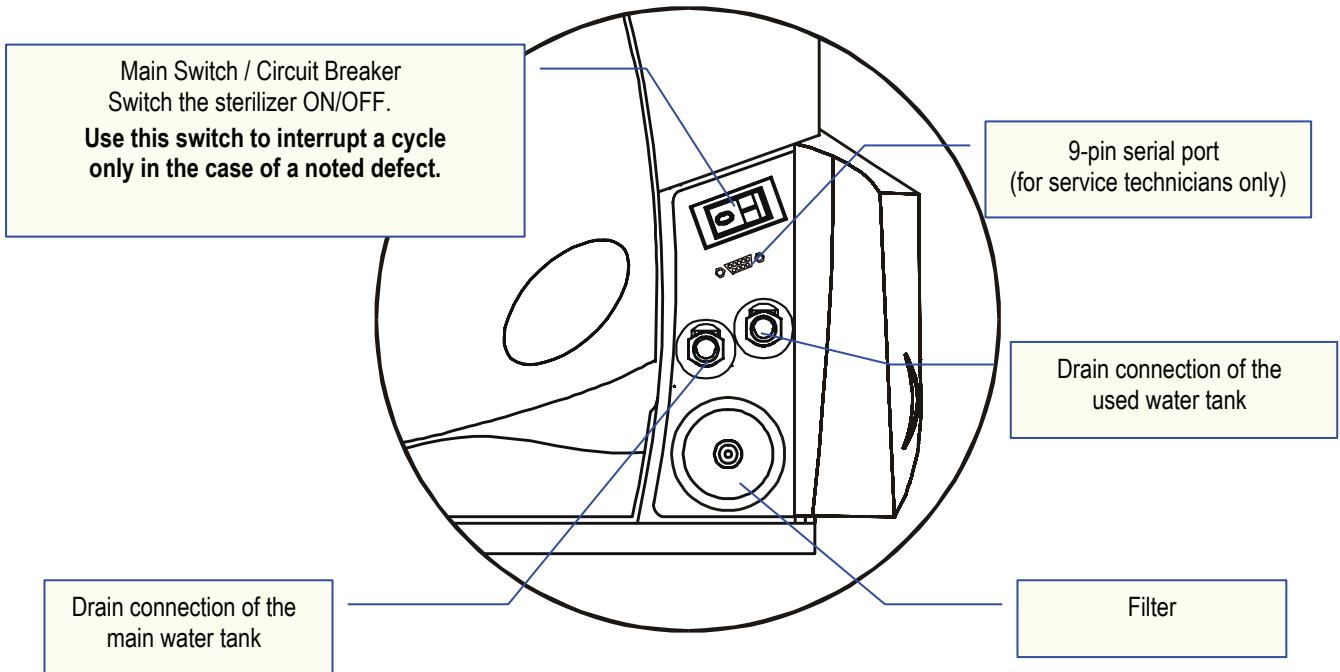
- Name of doctor / clinic
- Serial number of the sterilizer
- Cycle number
- Date and time at the beginning and at the end of the cycle
- Cycle name
- Duration, temperature and pressure of the various cycle phases
- Comments on cycle outcome

### 3. DESCRIPTION

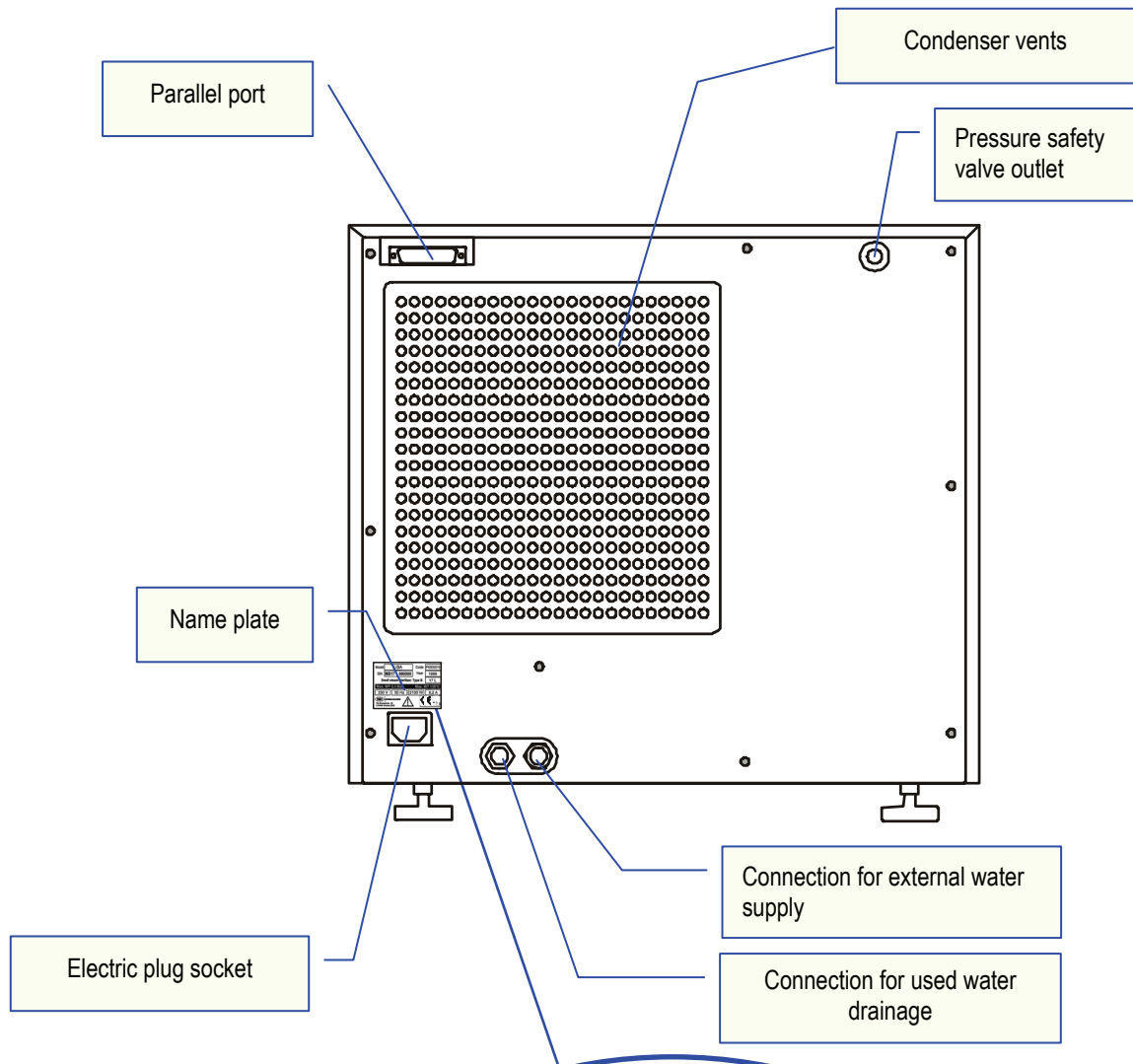
#### 3.1. RECOGNIZING THE FRONT OF THE STERILIZER



#### Inside service door



### 3.2. RECOGNIZING THE BACK OF THE STERILIZER



English

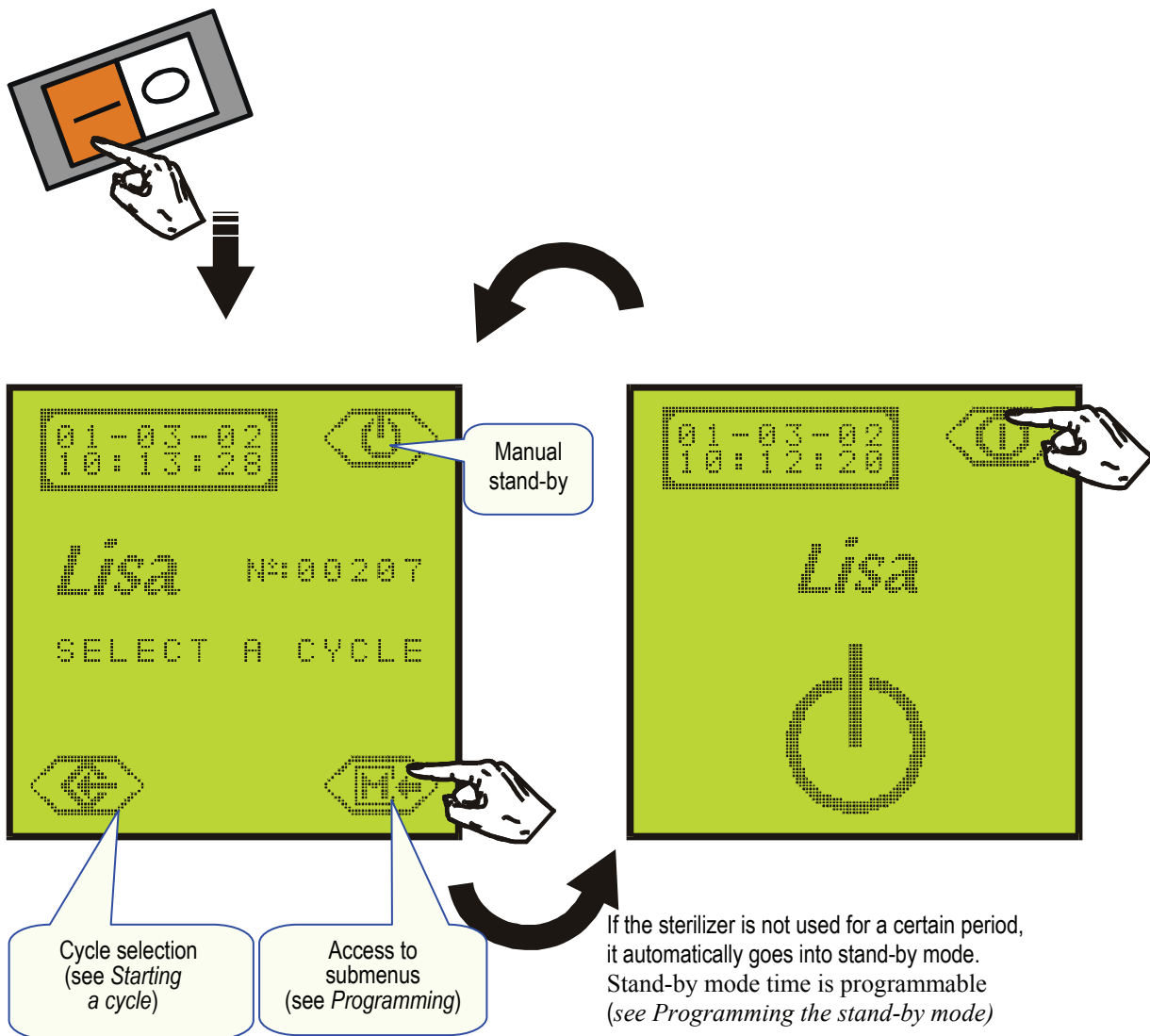
Model / Modèle	<b>LISA MB 17</b>	Code	<b>P000010</b>
SN	<b>AA-XXXX</b>	Year / Année	<b>AAAA</b>
<b>Small Steam Sterilizer</b>		<b>Type B</b>	<b>17 l / 18 qt</b>
<b>Petit Sterilisateur à Vapeur</b>			
<b>Max. W.P. / P.Max</b>		<b>Max. W.T. / T.Max.</b>	
<b>2.4 bar / 34.8 psi</b>		<b>138 °C / 280.4 °F</b>	
<b>230/240 Vac</b>	<b>50 / 60 Hz</b>	<b>2100 W</b>	
	W&H Sterilization s.r.l. Italy, I - 24060 Brusaporto, Bergamo (BG) Via Bolgara, 2 t +39 035 66 63 000 f +39 035 50 96 988 e office@wnhster.it	 0051	 conseil certifié
			<b>Made in Europe</b> <b>Produit en Europe</b>

## 4. USE

- NOTE:**
- For detailed information on load preparation prior to sterilization, please view Appendix 2 "PREPARATION OF THE LOAD"
  - For detailed information on sterilization monitoring please view Appendix 3 "STERILIZATION MONITORING"

### 4.1. LOCATING THE MAIN MENU

Activate the main switch; the selection screen appears.



English

- NOTE:** When the sterilizer is switched ON, the chamber automatically heats to 170°F. Pre-heating starts at room temperature and takes approximately 10 minutes. It is possible to select and start a cycle before the end of pre-heating. The sterilizer will continue the pre-heat phase and automatically start the selected cycle after pre-heating is complete.

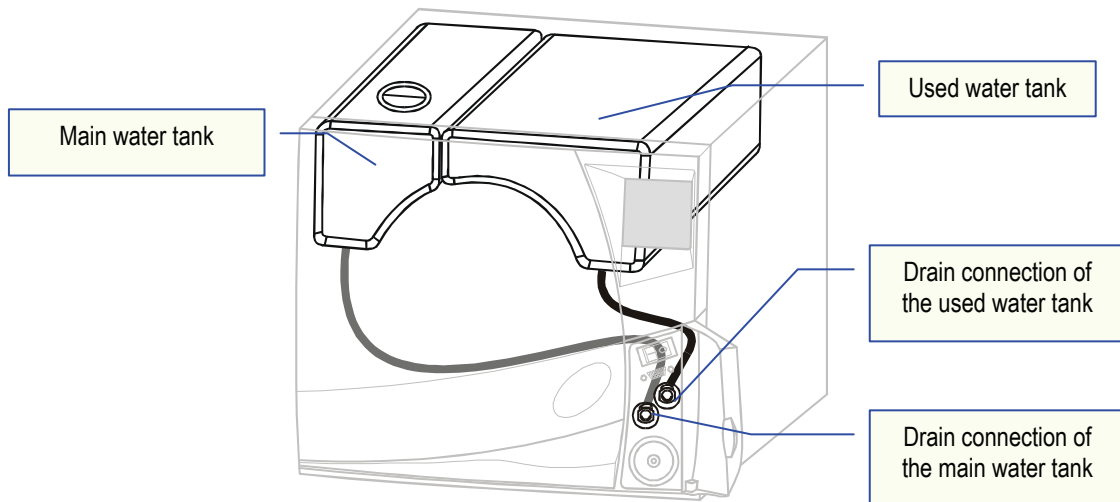
## 4.2. USING THE WATER TANKS

The sterilizer is equipped with two independent water tanks of equal volume – 4 quarts.

The left tank (main tank) needs to be filled with distilled or demineralized water. It is fitted with two level sensors, minimum (0.5 quarts) and maximum (3.7 quarts).

The right tank (used water tank) contains the used water collected at the end of each cycle. It is fitted with a maximum level sensor (3.7 quarts).

The two tanks connect to drain connections located behind the service door.



The water consumption per cycle varies depending on the type and mass of the sterilized load.

**NOTE:** The sterilizer will run for approximately eight cycles before the main tank needs refilling.

The following message displays on the screen when the minimum water level is reached in the main tank. While the message displays, it is not possible to initiate sterilization cycles.



### 4.3. FILLING THE MAIN WATER TANK

**ATTENTION:** Use distilled or demineralized water only! The mineral content of water used for sterilization needs to be lower than 10 ppm (parts per million) or lower than 15 Microsiemens/cm conductivity (see *Appendix 6*).

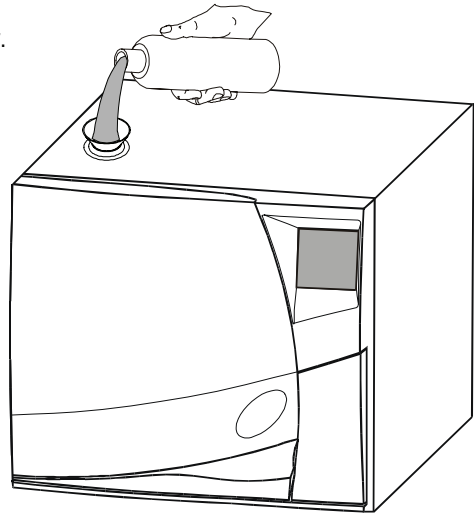
1. Remove the cover of the main water tank located on the top of the sterilizer.

2. Attach the funnel and fill the tank with approximately 3.25 quarts of distilled or demineralized water.

Once the tank is full, an audible tone will sound.

3. Stop adding water as soon as you hear the audible tone.

4. Drain the used water tank.



**NOTE:** If the sterilizer is not used for more than three days, both water tanks must be completely drained in order to avoid algae growth or any other deposits.

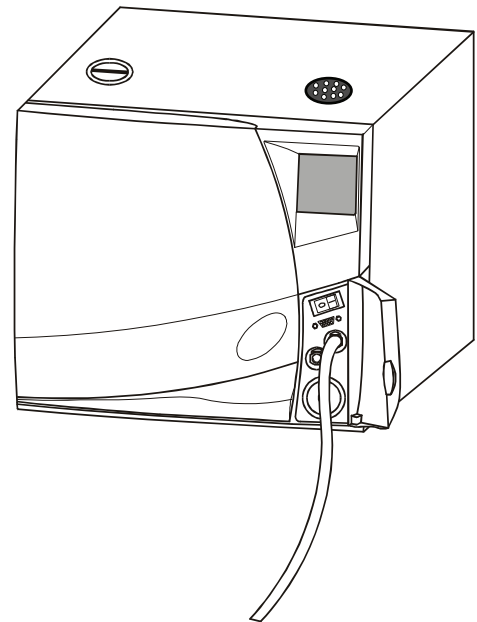
#### 4.4. DRAINING THE USED WATER TANK

The following message displays on the screen when the maximum water level is reached in the used water tank. While the message displays, it is not possible to initiate sterilization cycles.



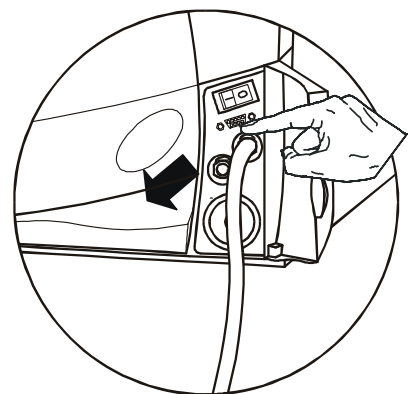
1. Open the service door.
2. Insert the drain tube into the quick disconnect coupling drain connection of the used water tank (right).
3. Allow the entire contents of the tank to empty and discard the used water.

**DO NOT RE-USE THE USED WATER IN THE STERILIZER!**



4. Disconnect the drain tube by pressing the push button on the drain connection.

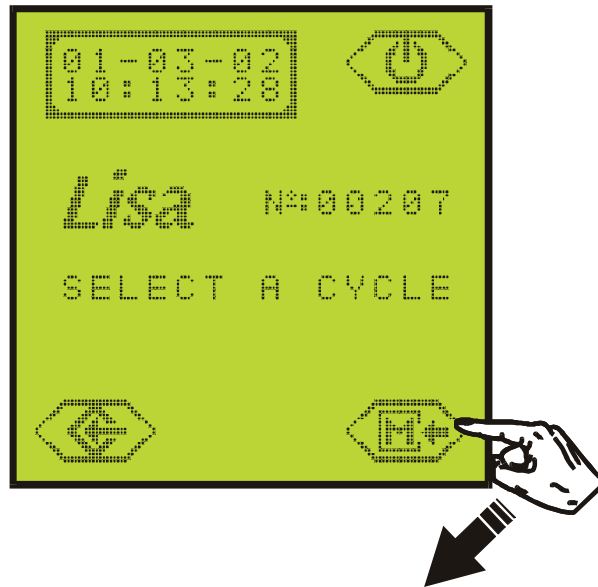
NOTE: If needed, the main water tank can be refilled while the used water tank is draining.



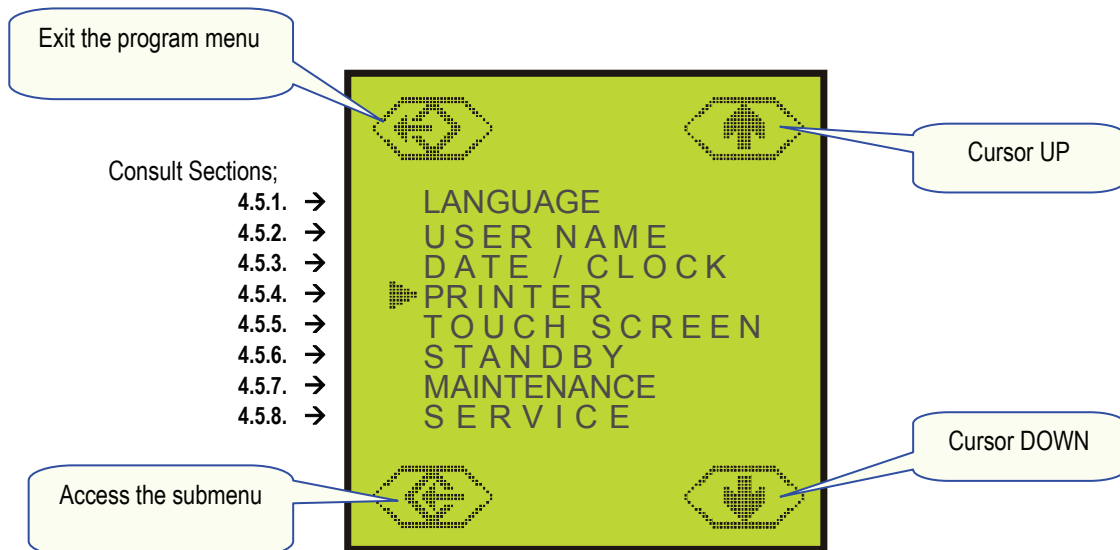


## 4.5. PROGRAMMING

1. On the selection screen, press **M**.



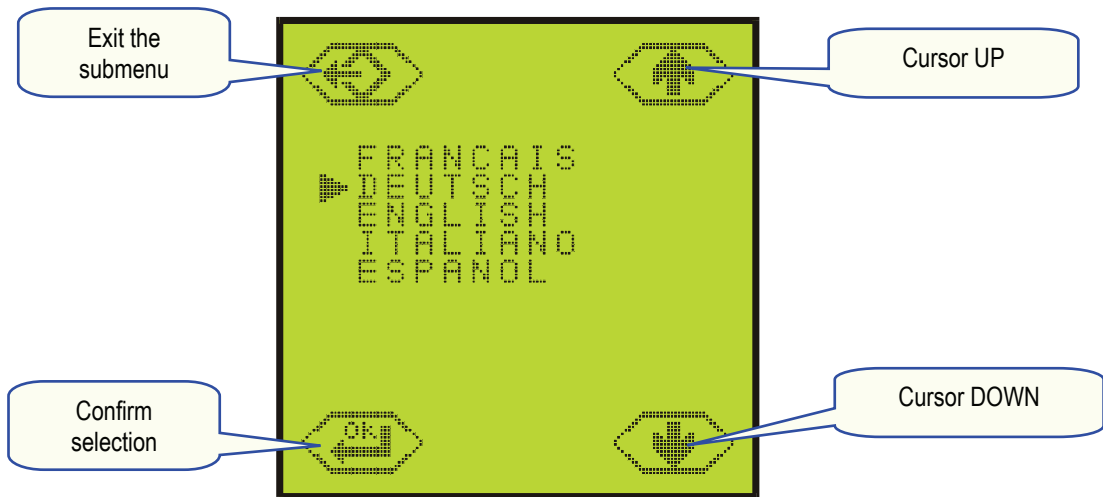
The program menu displays.



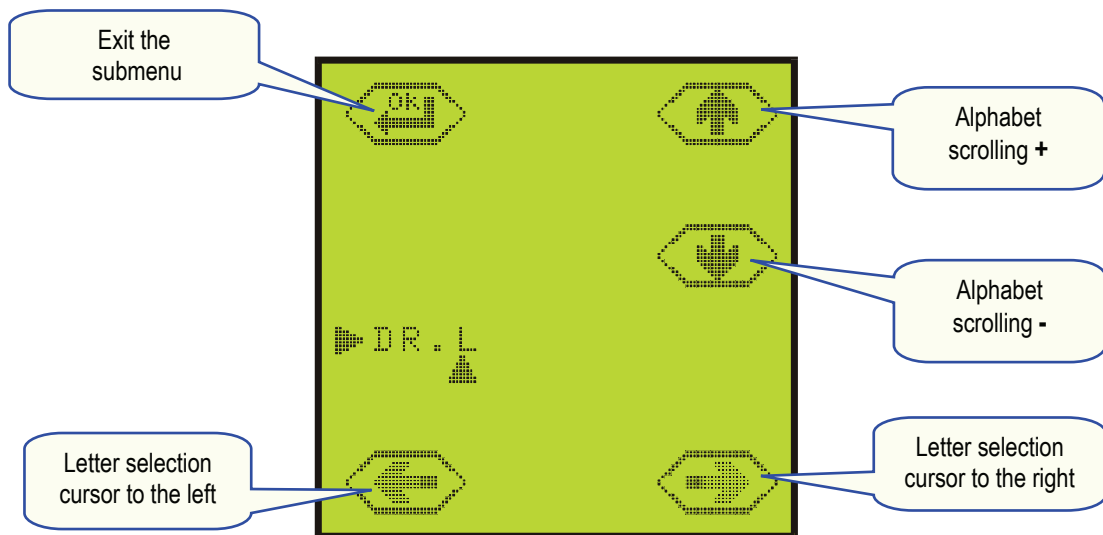
2. Using **UP** and **DOWN**, place the cursor (>) in front of the desired section.  
Confirm the selection by pressing the submenu access key.

3. Refer to the relevant chapter for the selected submenu.

#### 4.5.1. SELECTING A LANGUAGE



#### 4.5.2. PROGRAMMING THE NAME OF THE DOCTOR / CLINIC

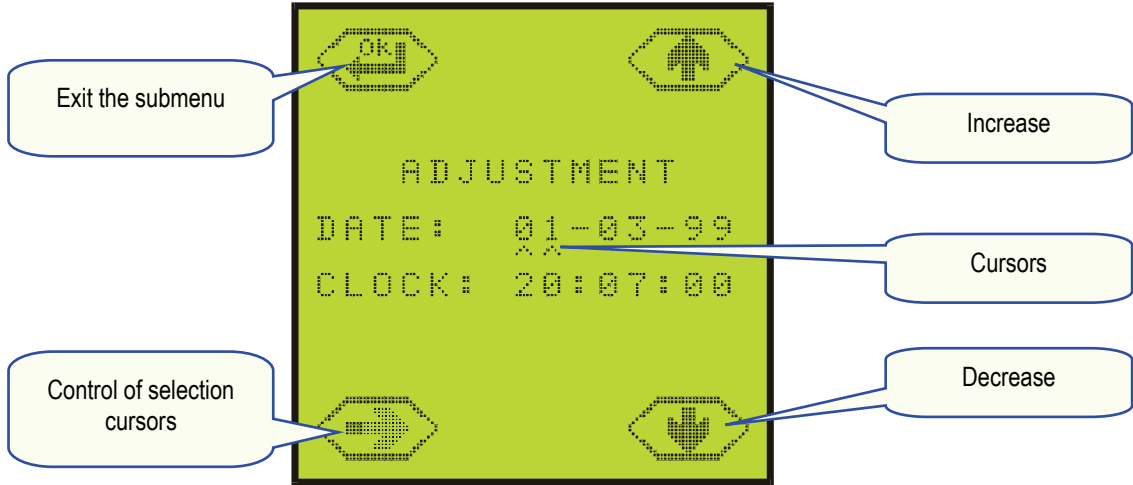


English

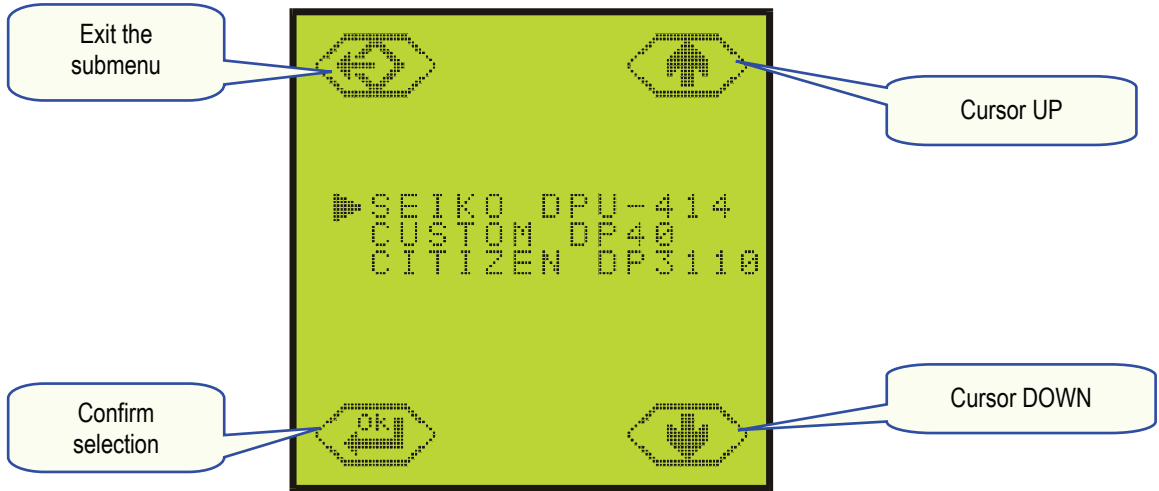
### 4.5.3. PROGRAMMING THE DATE AND TIME

It is essential to set the date and time especially if the sterilizer is connected to a data logger. These parameters are systematically printed at the beginning and at the end of each cycle report.

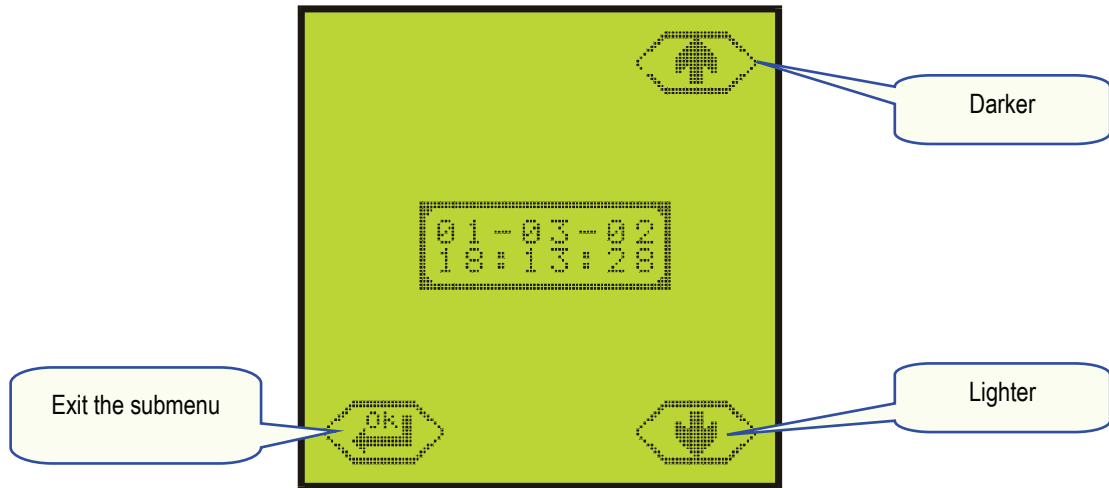
Place the selection cursors under the data that is to be adjusted. Increase or decrease the value, move the cursors under the next value and repeat the operation. Confirm the adjustment by pressing OK.



### 4.5.4. PROGRAMMING THE PRINTER

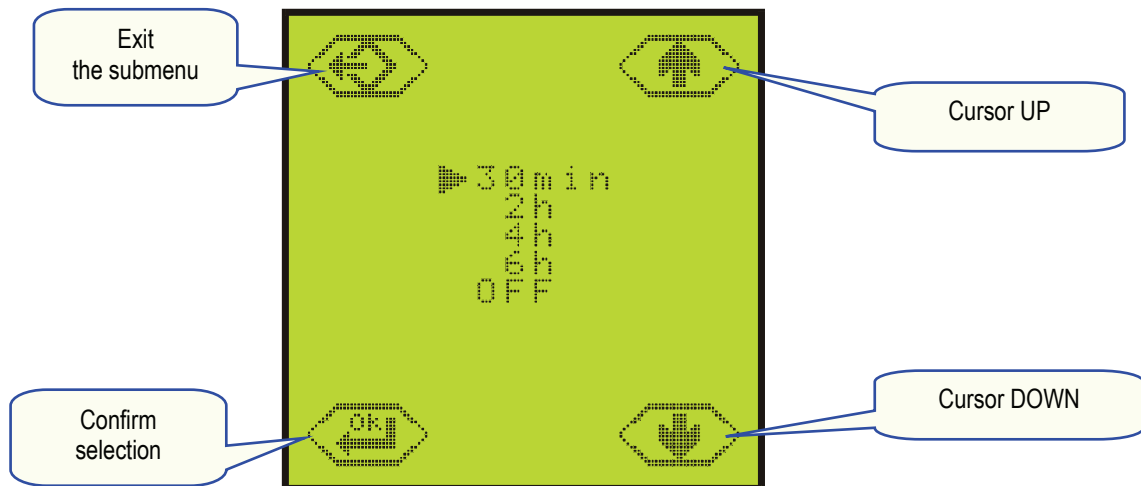


#### 4.5.5. ADJUSTING THE BRIGHTNESS OF THE TOUCH-SCREEN



NOTE: The date stamp is configured in mm:dd:yy

#### 4.5.6. PROGRAMMING THE STAND-BY MODE

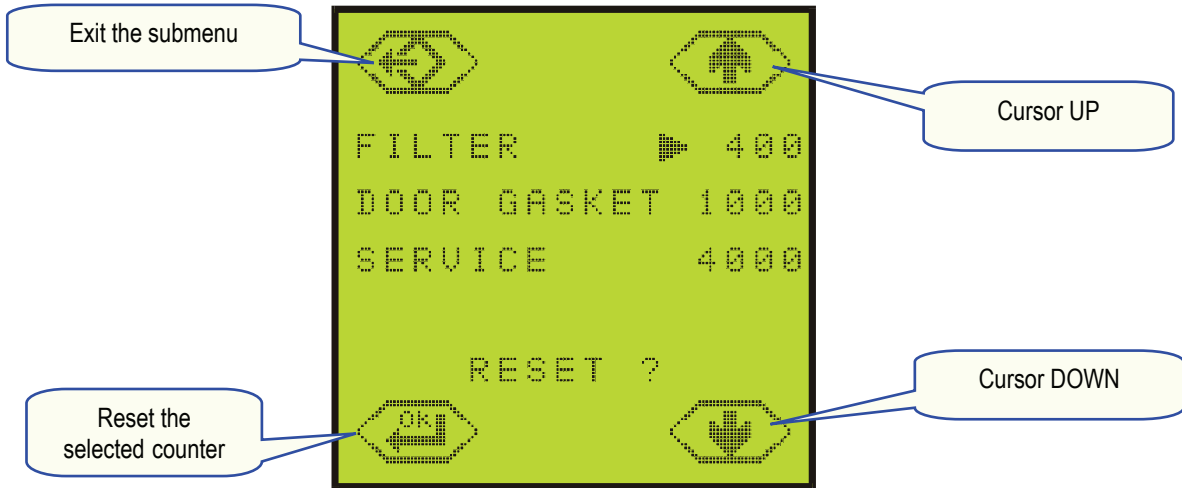


#### 4.5.7. USING THE MAINTENANCE PROGRAM SCREEN

The Maintenance Program screen shows the number of cycles remaining before replacement of the filter (400) and the door gasket (1000), as well as when general servicing (4000) is required. The three counters decrease in value after each cycle.

When one of the counters reaches 0, a corresponding message appears at the bottom of the selection screen. It is not possible to run a new cycle (the selection button will disappear) unless the reading of the message has been confirmed by pressing OK. The counter automatically resets.

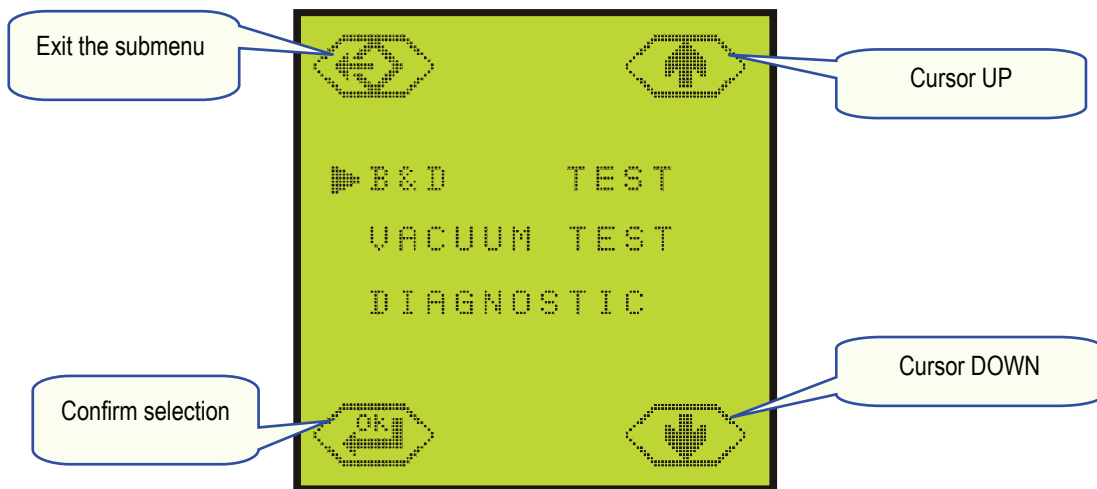
If one of the three maintenance operations is completed before the respective counter reaches 0, reset the counter manually. Place the cursor in front of the operation using the icons UP and DOWN and reset it by pressing OK.



#### 4.5.8. RUNNING SERVICE PROGRAMS

Use this submenu to select and run the Bowie & Dick and vacuum test cycles.

The diagnostic function is reserved for technical service personnel and requires an access code.



## 4.6. CYCLE SELECTION

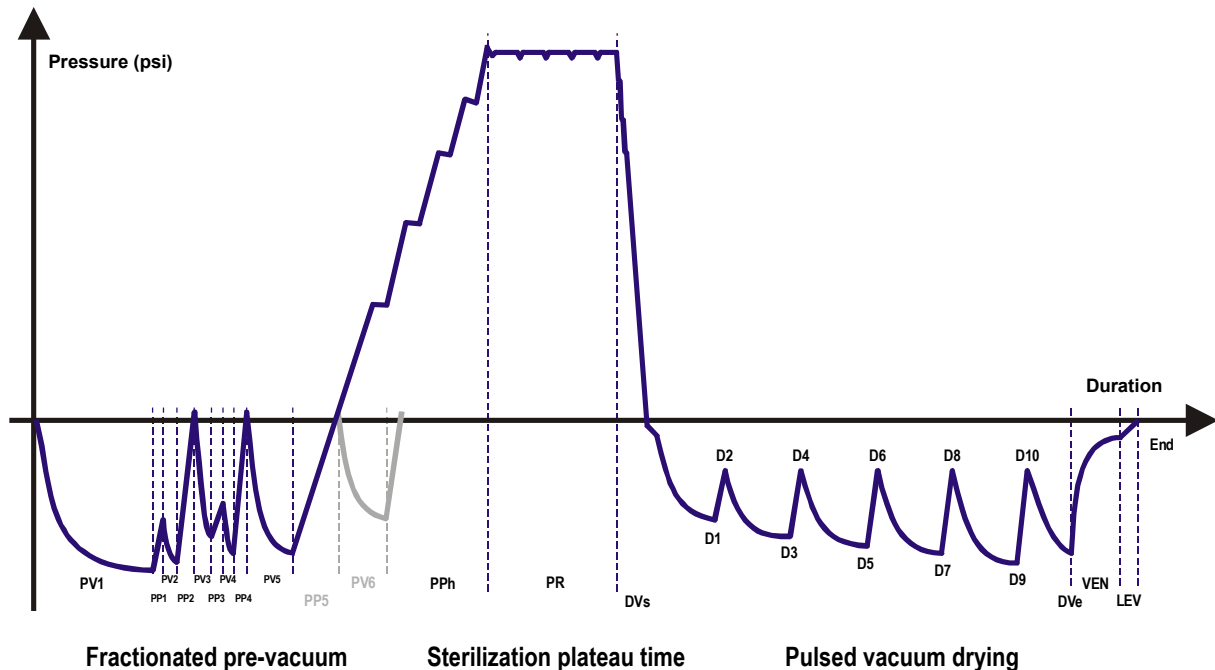
### 4.6.1. CYCLE TABLE

CYCLES	Standard B 273°F	Extended B 273°F	Standard B 250°F Textile	B&D test	Air leak Vac. test
Temperature	273°F	273°F	250°F	273°F	--
Pressure	31.5 psi	31.5 psi	17 psi	31.5 psi	-12.3 psi
Duration of the sterilization phase	4 min.	18 min.	30 min.	3 min. 20 sec.	16 min.
Duration of the drying phase	15 min.	15 min.	20 min.	4 min.	--
Max mass of the load	13 / 4.5 lbs Metal / Textile	13 / 4.5 lbs Metal / Textile	13 / 4.5 lbs Metal / Textile	Empty	Empty
Total duration empty-full load	32 min. - 52 min.	46 min. - 66 min.	48 min. - 68 min.	26 min.	25 min.
Full solid load	<b>YES</b>	<b>YES</b>	<b>YES</b>		
Full porous load (textile)	<b>YES</b>	<b>YES</b>	<b>YES</b>		
Small porous items	<b>YES</b>	<b>YES</b>	<b>YES</b>		
Hollow A (handpieces) - B	<b>YES</b>	<b>YES</b>	<b>YES</b>		
Unwrapped	<b>YES</b>	<b>YES</b>	<b>YES</b>		
Single / double wrapped	<b>YES</b>	<b>YES</b>	<b>YES</b>		
<u>Load:</u> This sterilizer can sterilize the following type of loads: full metal, textile, hollow A-B, plastics, rubber, etc. (unwrapped, single and double wrapped). <u>NOTE:</u> Instructions provided by the respective manufacturers of items that are sterilized must be followed in each case.					

FOR LISA MB 22 ONLY

The appropriate cycle for the relevant load type and sterilization mode can be determined from the table above. Various load types can be sterilized at the same time but a universally compatible cycle must be chosen. **Do not exceed the maximum load weight.**

All sterilization cycles have the same profile. Only the duration of the sterilization plateau time, the drying time and the sterilization plateau temperature vary.



**Legend:**

PV1..6 : Vacuum pulse  
PR : Process

PP1..5 : Pressure pulse  
DV : Vacuum drying

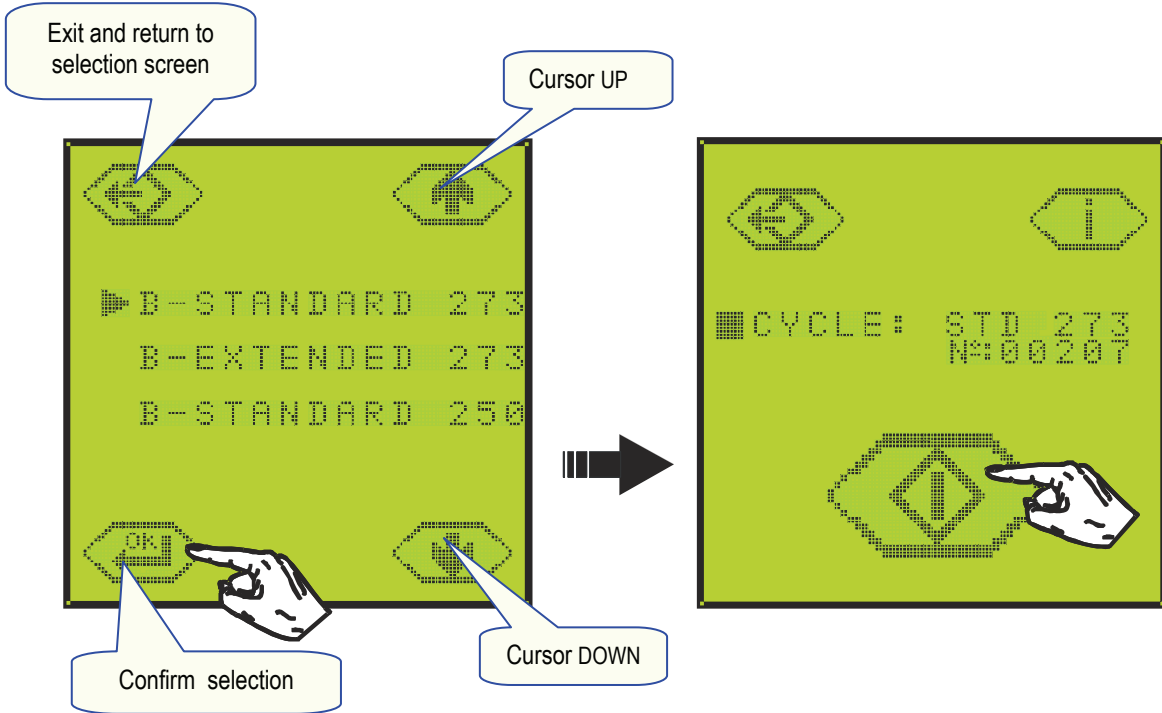
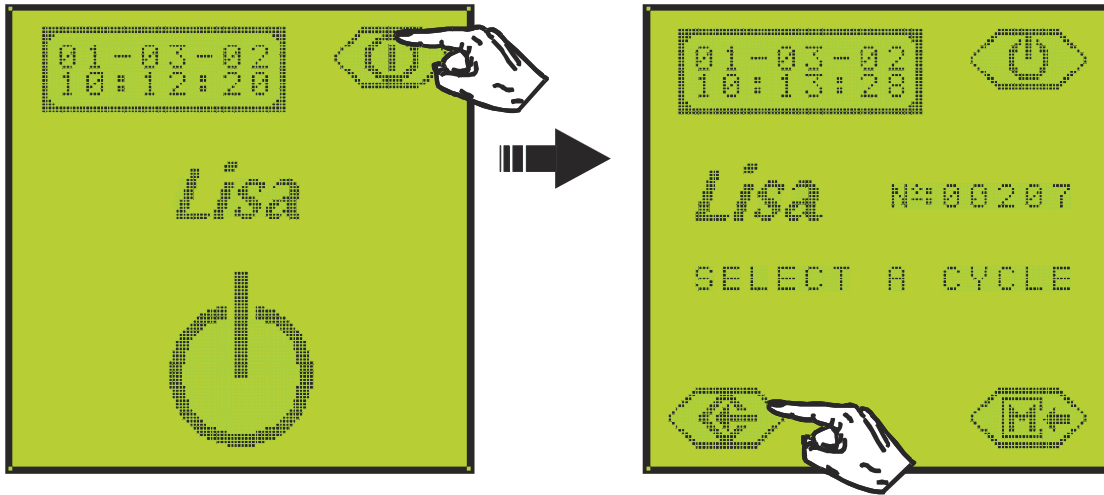
PPh : Pressure pulse and heating  
VEN : Ventilation  
LEV : Levelling

English

### 4.6.2. STARTING A CYCLE

Exit from the stand-by mode if necessary...

Enter cycle selection menu...



Position the cursor in front of the required cycle.  
Confirm your selection by pressing OK.

Start the selected cycle

### 4.6.3. UNDERSTANDING THE CYCLE PROCEDURE

The following information displays during the cycle:

You can access the technical parameters at any time by pressing INFO (i) (see *Locating cycle data information*). If needed, interrupt the cycle by pressing STOP for 3 seconds. An audible tone will confirm your request. This is followed by a 2-minute interval necessary to reinitialize the system and revert to atmospheric pressure in the chamber (see *Stopping manually*)

### END OF THE CYCLE

At the end of the cycle, the microprocessor analyzes the temperature, pressure, and duration of all cycle phases to confirm proper execution of the cycle.

**COMMENTS:** If the door remains locked at the end of the cycle, the vacuum pump continues to operate. Every 10 minutes the pump will run for 40 seconds in order to ventilate the chamber, preventing the build-up of moisture. This operation continues until the temperature of the chamber drops below 140°F. Before the door is opened, it is possible to access the cycle data by pressing INFO (i) (see *Locating cycle data summary*).

### 4.6.4. COPIES OF CYCLE PRINTOUTS

It is possible to get copies of the last cycle printout prior to door opening.

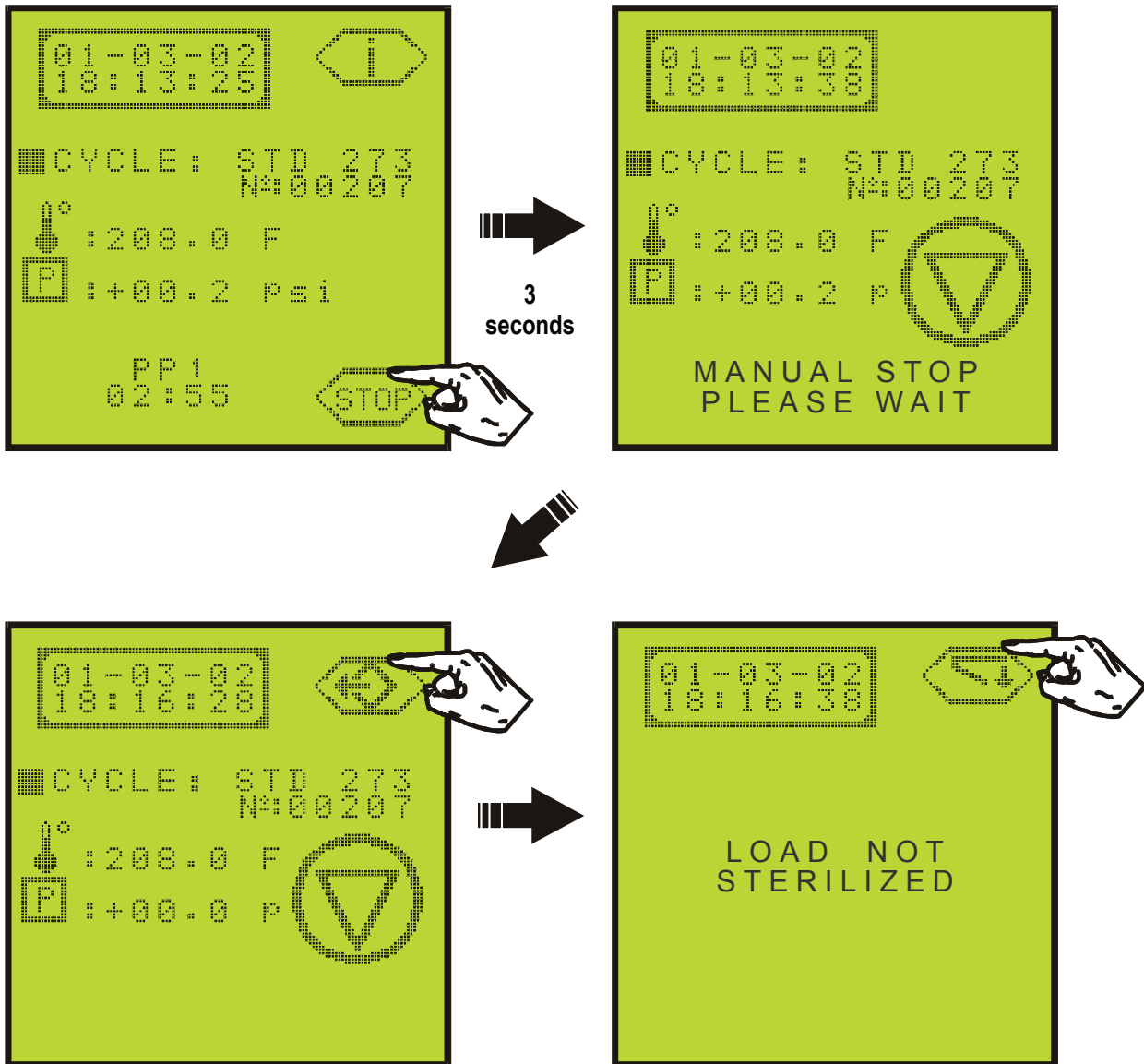
Press ...

...Select the quantity needed: 1 to 9, Print by pressing



#### 4.7. MANUAL STOP

If needed, a cycle can be aborted at any moment by pressing STOP for 3 seconds. An audible tone will confirm the request.



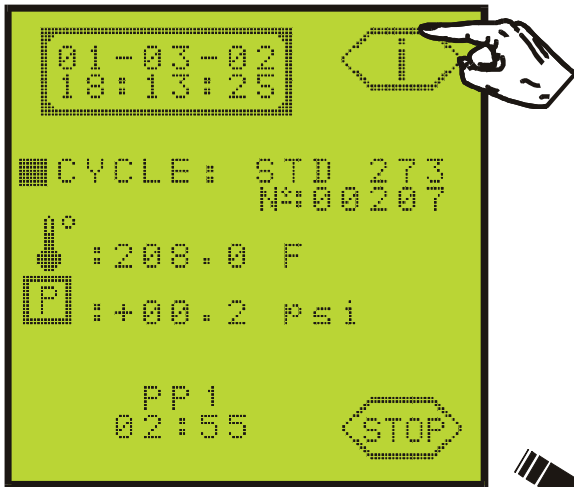
A phase of approximately 2 minutes is required to reinitialize the system and return the chamber to atmospheric pressure. The door can be opened when the door open button appears on the display at the end of this phase.

If the cycle is aborted after the PR phase (plateau period), the following message will be displayed and printed :

! PLATEAU PERIOD COMPLETED BUT !  
! LOAD NOT DRIED: IMMEDIATE USE ONLY !

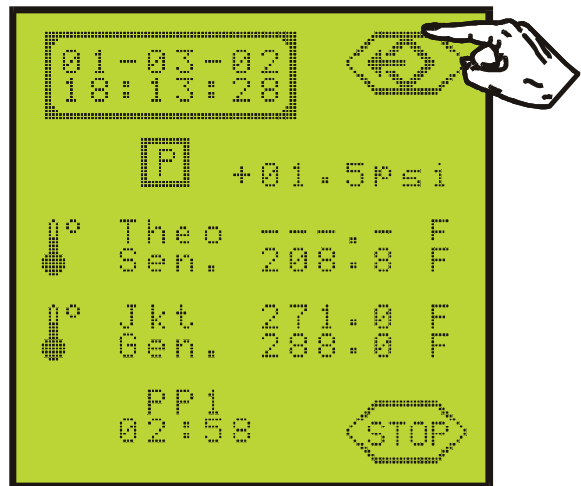
### 4.8. LOCATING CYCLE DATA INFORMATION

You can access technical data at any time during the cycle by pressing INFO (i).



The following data displays.

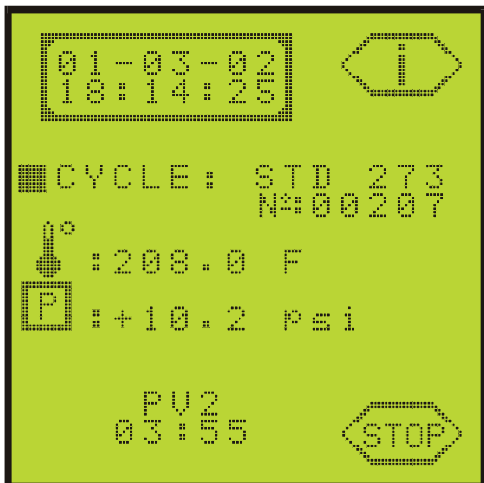
- Date
- Time
- Chamber pressure
- T° calculated/Pressure
- T° of the steam
- T° chamber heater
- T° steam generator
- Phase in progress
- Duration of the phase



English

Theo = Theoretical  
 Sen = Sensor  
 Jkt = Jacket  
 Gen = Generator

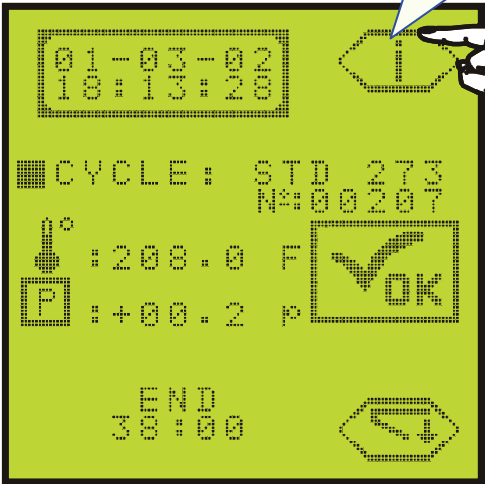
Exit and return to the current cycle display.



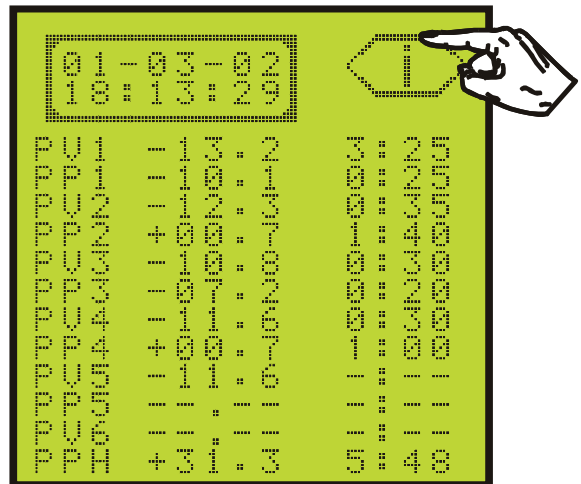
### 4.9. LOCATING CYCLE DATA SUMMARY (end of the cycle)

Before opening the door, access the technical data summary of the completed cycle by pressing INFO (i).

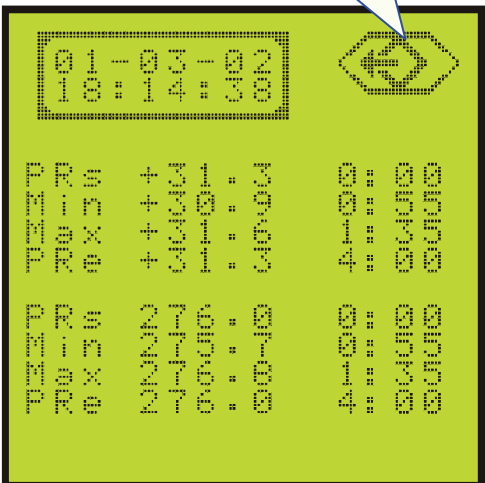
Advance to next screen.



The first screen lists the pressure and duration of each phase.  
 PV= vacuum pulse  
 PP= pressure pulse  
 PPh = pressure pulse and heating



Exit and return to Cycle End screen



The second screen indicates the pressure and temperature relating to the sterilization phase:  
 Measured pressures: begin/ min / max / end  
 Measured temperatures: begin/ min / max / end  
 PRs = Process Start  
 PRe = Process End

## 5. MESSAGES

A number of messages can appear at the beginning or at the end of the cycle. This is merely information and not an alarm. The user can continue to operate the sterilizer.

During a cycle, the microprocessor continuously analyzes some of the parameters. The cycle interrupts immediately and an alarm displays if the cycle does not execute properly.

### Message display



### Message list

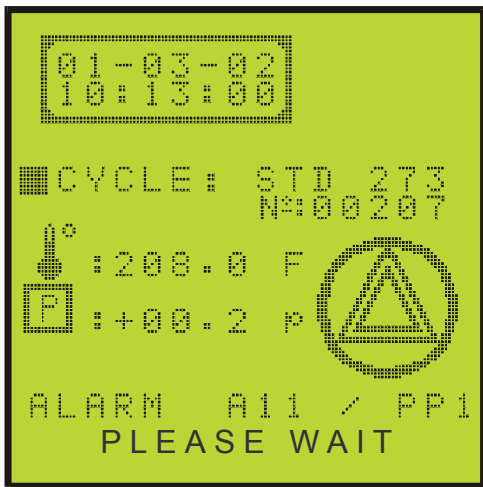
Message	Description	Action
FILL THE WATER TANK	The minimum water level has been reached in the main tank.	Fill the main tank with distilled or demineralized water as described in <i>Filling the main water tank</i> .
DRAIN THE USED WATER TANK	The maximum water level has been reached in the used water tank.	Drain the tank as described in <i>Draining the used water tank</i> .
CLOSE THE DOOR	The door is not closed properly.	Close the door.
DOOR LOCKING PROBLEM	The door could not be locked properly.	Clean the door seal and check positioning. Monitor: → Call service if the message persists.
T <sub>theo</sub> /T <sub>sen</sub> DIFF IN STERIL. PHASE  T <sub>theo</sub> = theoretical temperature T <sub>sen</sub> = sensor temperature	During sterilization phase: 3.6°F or greater difference between measured sensor temperature and theoretical temperature (deducted from the pressure).	The sterilization cycle was completed successfully because at the beginning of the cycle, the microprocessor evaluates the vacuum level and stops the cycle if it is improper. Monitor: → Call service if the message persists.
Temp FLUCTUATION IN STERIL. PHASE	During sterilization phase: fluctuation of +/- 2.7°F of the measured sensor temperature and/or the theoretical temperatures (deducted from the pressure).	The sterilization cycle was completed successfully because at the beginning of the cycle, the micro-processor evaluates the vacuum level and stops the cycle if it is improper. Monitor: → Call service if the message persists.

## 6. ALARMS

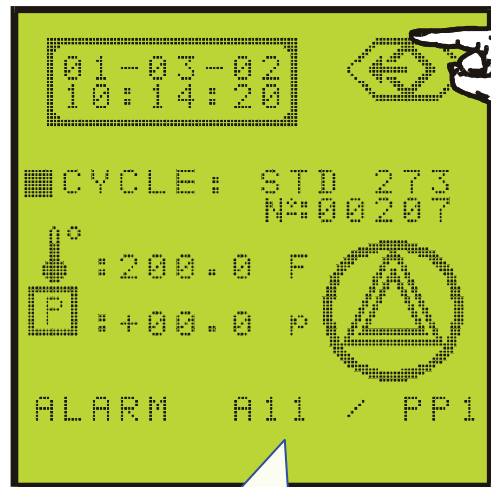
The micro-processor continuously analyzes some of the cycle parameters. If an improper condition is detected, the cycle is interrupted and an alarm displays. This is followed by a phase of approximately two minutes required to reinitialize the sterilization system and return the chamber to atmospheric pressure.

**If the cycle is interrupted after the PR phase (plateau period), following message will be displayed and printed :**  
**! PLATEAU PERIOD COMPLETED BUT !**  
**! LOAD NOT DRIED: IMMEDIATE USE ONLY !**

The Alarm screen appears.

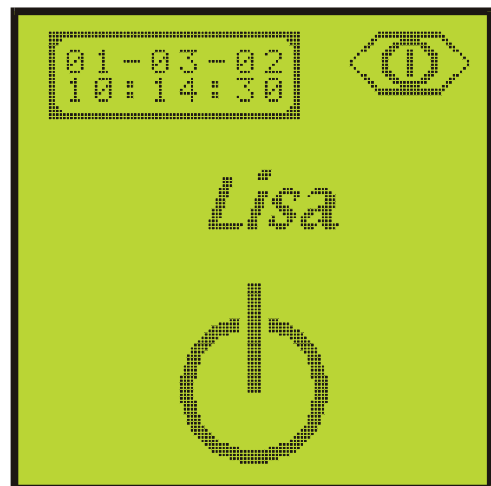
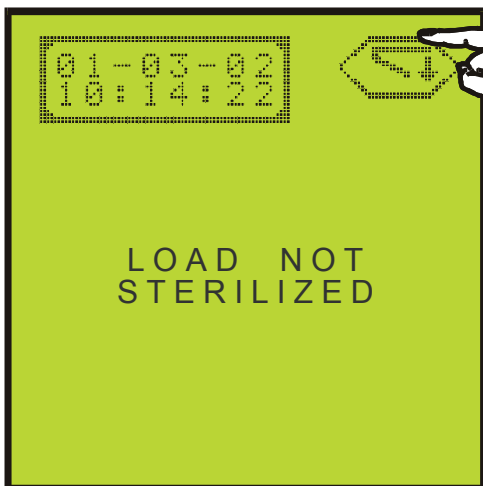


Confirm the alarm reading at the end of the re-initialization phase by pressing exit submenu button.



Code of the alarm / interrupted phase see *Describing the alarms*.

English



## 6.1. DESCRIPTION OF THE ALARMS

Number	Description	Action
<b>Electricity</b>		
A01	Electrical failure or significant drop in voltage occurred during the cycle.	Repeat the cycle.
<b>Sterilization chamber</b>		
A10	The time spent to reach the sterilization plateau is too long (overload, leaks, etc.).	Clean the door seal and chamber face; repeat the cycle. If the problem persists → Call service
A11	The temperature of the chamber-heating element is above the nominal value.	Repeat the cycle. If the problem persists → Call service
A12	The temperature of the chamber-heating element is below the nominal value.	Repeat the cycle. If the problem persists → Call service
A13	During the sterilization process, the pressure measured in the chamber is above the maximum threshold.	Repeat the cycle. If the problem persists → Call service
A14	During the sterilization process, the pressure measured in the chamber is below the minimum threshold.	Clean the door seal and chamber face; repeat the cycle. If the problem persists → Call service
A15	During the sterilization phase, the temperature of the steam is below the minimum threshold.	Clean the door seal and chamber face; repeat the cycle. If the problem persists → Call service
A16	During the sterilization phase, the temperature of the steam is above the maximum threshold.	Repeat the cycle. If the problem persists → Call service
A17	The temperature sensor of the chamber-heating element is broken or disconnected.	→ Call service
A18	The internal temperature sensor (steam) of the chamber is broken or disconnected.	→ Call service
<b>Steam generator</b>		
A21	The temperature of the steam generator is above the maximum threshold.	Repeat the cycle. If the problem persists → Call service
A22	The temperature of the steam generator is below the minimum threshold.	Repeat the cycle. If the problem persists → Call service
A23	The temperature sensor of the steam generator is broken or disconnected.	→ Call service

## DESCRIPTION OF THE ALARMS (continued)

Number	Description	Action
<b>Vacuum</b>		
A31	During a vacuum phase, the pressure would not drop below - 2.9 psi.	Clean the door seal and chamber face; repeat the cycle. If the problem persists → Call service
A32	During a vacuum phase, the pressure would not drop below - 7.2 psi.	Clean the door seal and chamber face; repeat the cycle. If the problem persists → Call service
A33	The pre-vacuum phase was not successful.	Clean the door seal and chamber face; repeat the cycle. If the problem persists → Call service
A34	The last 10 cycles have required a 6th additional vacuum pulse.	Clean the door seal and chamber face; the alarm is displayed only once every 10 cycles should problem persist. If the problem persists → Call service
<b>Door locking</b>		
A52	<ol style="list-style-type: none"> <li>1) The door locking system is blocked during opening and closing phases.</li> <li>2) The door-locking switch is open during the cycle.</li> </ol>	→ Call service
<b>Electro-valves</b>		
A63	Lack of steam pressure in the sterilizer chamber.	→ Call service

**CAUTION:** If any alarm occurs before the end of the sterilization phase, the load is not sterile and must be reprocessed.

## 7. USER MAINTENANCE

A distinction must be made between two levels of maintenance; that performed regularly by the user and preventive maintenance carried out by an authorized A-dec/W&H Dealer.

**NOTE:** Disconnect the power supply before examining the sterilizer.

### 7.1. PERFORMING MAINTENANCE

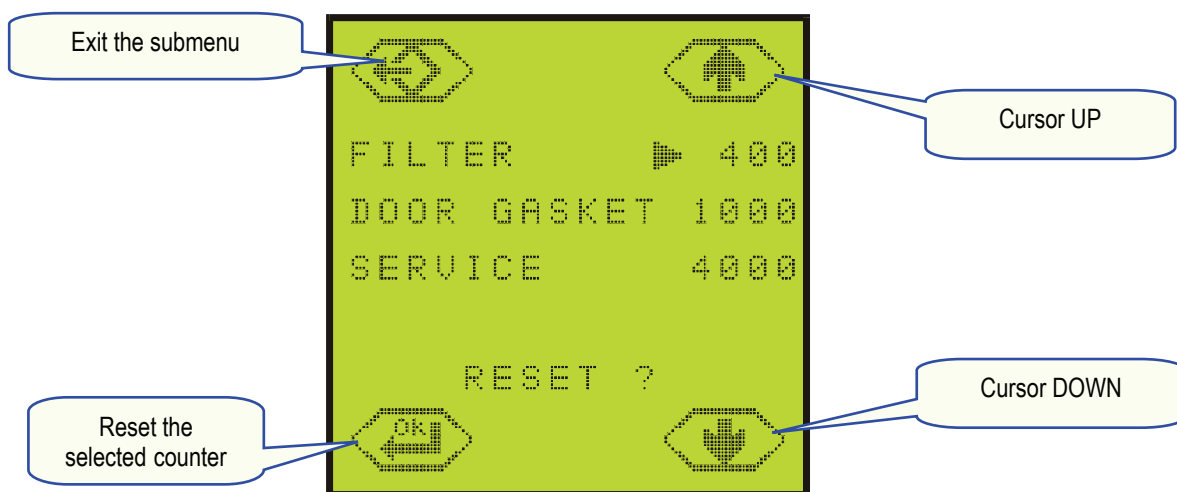
Frequency /	Number of cycles	Operation	Spare number	Section
Weekly	-	Cleaning the door seal.	-	§7.2
		Cleaning the chamber, the trays and the rack.	-	§7.3
		Cleaning the external surfaces.	-	§7.4
-	400	Replacing the air filter.	54.0067.00	§7.5
-	1,000	Replacing the door seal.	54.0014.00	§7.6
-	4,000	Servicing by an authorized A-dec W&H Dealer.	-	§8

The maintenance submenu indicates the number of cycles remaining before replacement of the air filter and the door seal and when general servicing is required (see Using the maintenance program screen). The three counters decrease in value after each cycle.

When one of the counters reaches 0, a corresponding message appears at the bottom of the selection screen.

It is not possible to run a new cycle (the selection button disappears) unless the reading of the message has been confirmed by pressing OK. The counter then automatically resets.

If one of the three maintenance operations is completed before the respective counter reaches 0, reset the counter manually. Place the cursor in front of the operation UP and DOWN and reset by pressing OK.





## 7.2. CLEANING THE DOOR SEAL

Clean the door seal and the porthole with a lint free cloth saturated with alcohol. The porthole can also be cleaned with a non-abrasive detergent.

## 7.3. CLEANING THE CHAMBER, TRAYS, AND TRAY HOLDER

Remove the trays from the chamber.

Disconnect and remove the rack.

Clean the chamber with a damp sponge moistened with a detergent or scouring agent if necessary.

Rinse with a damp sponge to remove all traces of the cleaning agent.

Apply the same procedure for the rack, trays (cassettes).

**NOTE:** Ensure that you clean all around the sterilizer chamber. Do not bend or damage the temperature sensor at the bottom of the chamber. **Never use disinfectants to clean the chamber.**

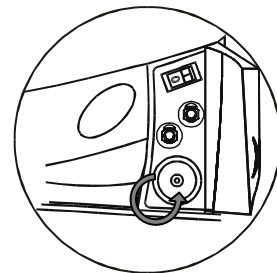
## 7.4. CLEANING THE EXTERNAL PARTS

Clean the external parts with a damp cloth and mild detergent. Never use scouring agents or highly abrasive products.

**NOTE:** Do not use copious amounts of water to wash the sterilizer as this may damage the electrical components and safety mechanisms. Take care not to scratch the plastic film in front of the touchscreen.

## 7.5. REPLACING THE FILTER

1. Open the service door.
2. Unscrew the filter by hand (counter-clockwise).
3. Insert and manually screw the new filter into position; tighten filter using moderate force.

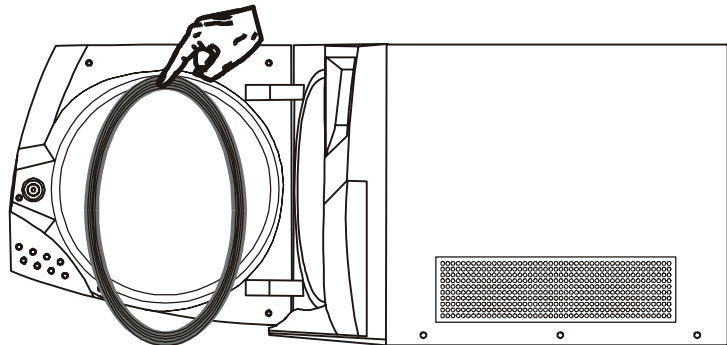


## 7.6. REPLACING THE DOOR SEAL

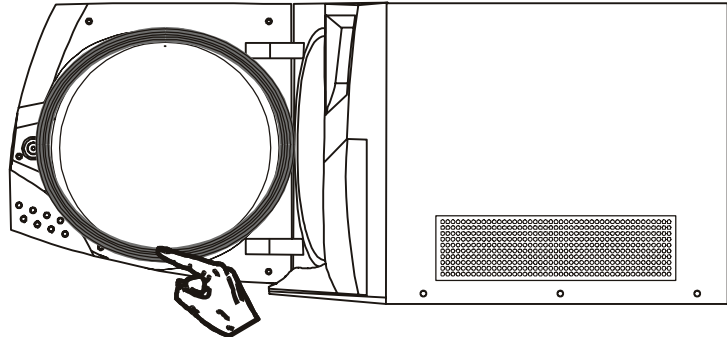
1. Open the door of the sterilizer.
2. Remove the door seal by hand.
3. Clean the seal and seat carefully with a cotton swab moistened with isopropyl alcohol.
4. Moisten the new seal with water.
5. Insert the seal in the sequence illustrated in the following diagram:

Insert the seal starting as follows:

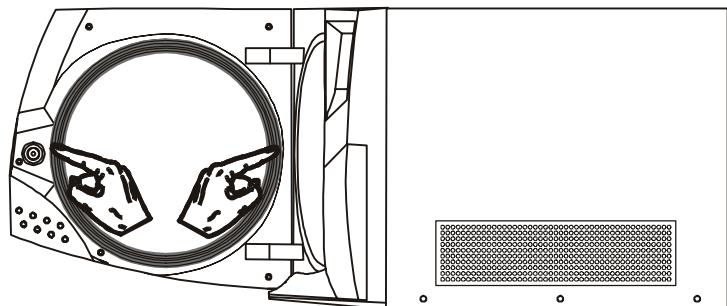
Up



Down



Left and right



---

## 8. SERVICING CONDUCTED BY THE APPROVED TECHNICIAN

Service is essential for proper operation of the sterilizer. We recommend servicing by an authorized A-dec/W&H Dealer every 4000 cycles.

### Checklist:

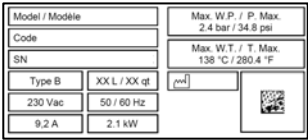

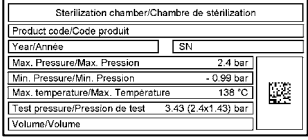
- Replace the five electric-valves
- Replace the vacuum pump membrane kit
- Replace the water filter
- Replace the door seal
- Replace the filter
- Replace the steam generator heating element
- Clean the sterilization chamber
- Clean the sterilization chamber filter
- Clean the steam generator filter
- Clean the condenser and condenser fan
- Check the pneumatic connections
- Check the electrical connections
- Check the door locking system

## 9. BREAK-DOWN GUIDE

The problem list below is limited because most defects and incidents are covered in messages and alarms.

PROBLEM	POTENTIAL CAUSES	SOLUTIONS
The sterilizer remains switched OFF.	<ul style="list-style-type: none"> <li>▪ The main switch or network circuit breaker is open (Off).</li> <li>▪ No voltage at the socket.</li> <li>▪ The power supply cable is not properly connected.</li> </ul>	<ul style="list-style-type: none"> <li>▪ Activate the main switch or network circuit breaker (ON).</li> <li>▪ Check the electrical circuit.</li> <li>▪ Plug in the cable properly.</li> </ul>
Water leaking at the front of the sterilizer.	<ul style="list-style-type: none"> <li>▪ Leaks via the door seal.</li> <li>▪ Punctured or disconnected hose.</li> </ul>	<ul style="list-style-type: none"> <li>▪ Clean the door seal (see <i>Cleaning the door seal</i>).</li> <li>▪ → Call service</li> </ul>
At the end of the cycle, water remains within the chamber and the load is not perfectly dry.	<ul style="list-style-type: none"> <li>▪ Poorly levelled machine.</li> <li>▪ Overloaded chamber.</li> <li>▪ Load incorrectly positioned.</li> </ul>	<ul style="list-style-type: none"> <li>▪ The sterilizer must be installed on a level surface.</li> <li>▪ Comply with the maximum load weight limit for each type of load (see <i>Using the cycle table</i>).</li> <li>▪ Follow the recommendations listed in <i>Appendix 2</i>.</li> </ul>
Humidity in the packaging or in the load.	<ul style="list-style-type: none"> <li>▪ Overloaded chamber.</li> <li>▪ Load incorrectly positioned.</li> </ul>	<ul style="list-style-type: none"> <li>▪ Comply with the maximum load weight limit for each type of load (see <i>Using the cycle table</i>).</li> <li>▪ Follow the recommendations listed in <i>Appendix 2</i>.</li> </ul>
Oxidation or spots on instruments.	<ul style="list-style-type: none"> <li>▪ Use of poor quality water or water containing chemical substances.</li> <li>▪ Organic or chemical residues on the instruments.</li> <li>▪ Contact between various materials.</li> <li>▪ Lime deposits in the chamber.</li> </ul>	<ul style="list-style-type: none"> <li>▪ Drain both water tanks. Use good quality distilled or demineralized water (described in <i>Appendix 6</i>).</li> <li>▪ Clean and rinse all instruments with demineralized water (<i>Appendix 2</i>). Remove all traces of disinfectants.</li> <li>▪ Interleave with tissues.</li> <li>▪ Clean the chamber.</li> </ul>
Instruments turning brown or black.	<ul style="list-style-type: none"> <li>▪ Incorrect temperature selected.</li> </ul>	<ul style="list-style-type: none"> <li>▪ Consult the table in <i>Using the cycle table</i>.</li> <li>▪ Follow the instrument manufacturer instructions.</li> </ul>

## Appendix 1 TECHNICAL CHARACTERISTICS

<p><b>Electrical supply</b></p> <p><b>Sterilizer:</b></p> <p>Working temperature / Humidity Storage temperature / Humidity Min. atmospheric pressure Nominal voltage : Max. absorbed power : Max. current : Dimensions overall : Max. space required : Clutter of the door movement : Weight empty : Max. weight in working condition, fully loaded : Max. heat output : Max. noise level :</p>	<p>Single phase 230/240 VAC <math>\pm</math> 10% -50/60Hz – 2100W</p> <p><b>Name plate on the back side:</b></p> <p>50°- 104°F / 0-90%. -4°- 140°F / 0-90% (empty) 7.3 PSI 230/240 VAC 2100 W 10.3 A W : 18 in / H : 16 in / D : 24 ½ in W : 19 in / H : 18 in / D : 26 ½ in W : 14 in/ H : 16 in / D : 14 in 125 lbs 155 lbs 2846 BTU/hr &lt; 50dB</p> 
<p><b>Steam generator</b></p> <p>Power / Voltage : Max. pressure / Max. temperature : Pressure safety valve :</p>	<p><b>Name plate on the steam generator:</b></p> <p>1700 W 58 PSI/ 302°F 73 PSI</p> 
<p><b>Sterilization chamber</b></p> <p>Power / Voltage : Max. pressure / Max. temperature : Pressure safety valve : Total volume : Usable space (identical for all cycles) : Filter :</p>	<p><b>Name plate on the chamber:</b></p> <p>1000 W 35 PSI / 280°F 35 PSI 23 qts Dia.: 9.8 in / Depth: 17 ½ in 17 qts W: 7.7 in / H: 8.1 in / D:15 ¾ in 0.3 µm</p> 
<p><b>Distilled water (or demineralized) :</b></p> <p>Water quality : Min. / Max. consumption : Double tank / working range :</p>	<p>See <i>Appendix 5</i> 0.2 qt / 0.4 qt (full porous load) Min 8 cycles (full porous load)</p>
<p><b>Connections</b></p>	<p>Parallel printer port</p>
<p><b>Miscellaneous</b></p>	<p>Fully micro-processor driven and controlled / touchscreen Programmable stand-by mode</p>

FOR LISA MB 22 ONLY

English

## Appendix 2      PREPARATION OF THE LOAD

### 1.      **Cleaning**

Thorough cleaning of all items prior to sterilization is imperative to ensure effective sterilization. If visible debris and bio-burden is not removed through cleaning prior to sterilization, it will interfere with microbial inactivation and compromise the sterilization process!

- If possible clean instruments immediately after use; always follow instrument manufacturer instructions.
- Lubricate dental handpieces **after** cleaning, **prior to** sterilization, in accordance with the handpiece manufacturer's instructions.

### 2.      **Use of rust inhibitors**

If rust inhibitors are applied to items prior to sterilization (e.g., surgical milk dips) follow the manufacturer's instructions for the product.

- Thoroughly drain excess rust inhibitor from the load and allow product to dry prior to placement in the sterilizer.
- Always wrap or pouch items that have been treated with rust inhibitors to limit exposure to internal sterilizer components.

### 3.      **Loading the sterilizer chamber**

- Do not overload the chamber; adhere to the maximum load weight limits of 10 lbs metal / 3 lbs textile.
- Always use the chamber rack to allow adequate steam circulation.
- **Place pouched items on trays with the paper side facing up.**
- Do not overload trays; spread single items on multiple trays.
- Place items in such a way so as to allow steam to circulate properly.
- Place cassettes in the vertical position (if possible) to enhance drying.
- Place empty containers or non-perforated trays upside down to prevent accumulation of water.
- Items made from different materials (stainless steel, carbon steel, etc.) must be placed on separate trays.
- If instruments are manufactured from carbon steel, paper should be placed between them and the sterilizer tray.
- Sterilize hinged instruments in the opened position (e.g., forceps).
- Wrap items with porous wrapping materials to facilitate steam penetration and drying (e.g., sterilization bags for autoclaves).

#### Tubes:

- ◆ Rinse, drain and dry after washing.
- ◆ Place tubes on a tray allowing the ends to remain open; do not bend.

#### Packs:

- ◆ Place packs vertically (if possible) and ensure adequate spacing in-between packs.  
**Ensure packs do not touch the sterilizer chamber walls.**

#### Wrapped items:

- ◆ Sterilization bags should be placed on trays allowing adequate space in-between bags.  
**Place bags with the paper side facing up.**

## Appendix 3 STERILIZATION MONITORING

- **Biological indicators**

Biological indicators (BIs) (i.e., spore tests) are the most accepted method for monitoring the sterilization process because they assess it directly by killing known highly resistant microorganisms. Place biological indicators inside of wrapped or pouched loads and inside of containers such as cassettes on the lower tray or rack position as close as possible to the sterilizer chamber door. Follow local/national requirements on the frequency and procedure of testing. In case a biological indicator shows a positive result (not a sufficient number of microorganisms have been killed during the sterilization process), consult local/national guidelines that have been developed to follow in the event of a positive test.

- **Chemical indicators**

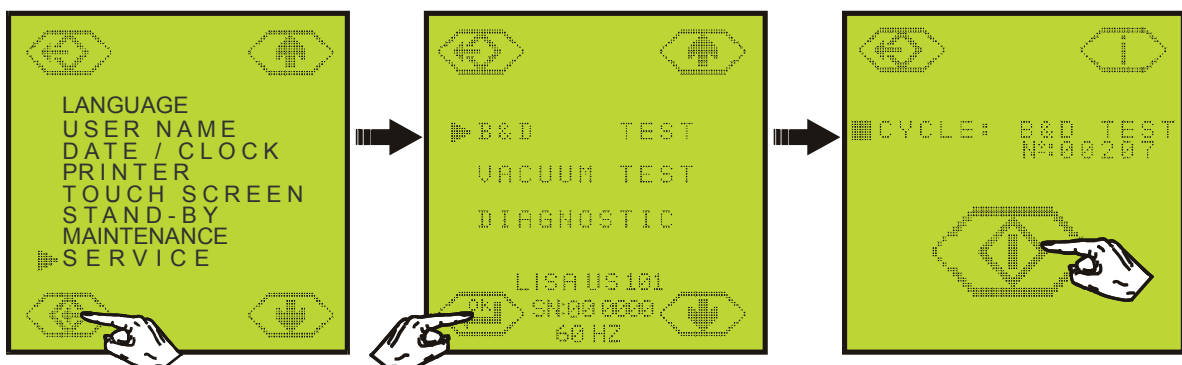
Chemical indicators, internal and external, use sensitive chemicals to assess physical conditions (e.g., time and temperature) during the sterilization process. Place chemical indicators on (external) or inside of (internal) wrapped or pouched loads and containers such as cassettes. If only one set of indicators is used for a specific load, place the item carrying the indicator(s) on the lower tray or rack position as close as possible to the sterilizer chamber door. Follow local/national requirements on the frequency of testing. In case chemical indicators indicate inadequate processing, items in the load should not be used until reprocessing.

- **Bowie & Dick Test**

The Bowie & Dick Test (B&D) is made of several sheets of paper and/or foam wrapped in a small pack in the middle of which there is a chemical heat-sensitive indicator sheet. Bowie & Dick type test packs detect air leaks, inadequate air removal and steam penetration for vacuum-assisted steam sterilizers.

Performing the test:

1. Place the Bowie & Dick Test (complete pack) on the lower tray or rack position.
2. Access the "SERVICE" sub-menu, select and initiate the B&D test cycle.



3. Once the cycle is completed, open the sterilizer door and remove the test pack; caution: the pack will be very hot!
4. Remove the indicator sheet from the center of the pack and check the change in color as explained below:

**Test passed:**

The entire surface of the indicator sheet has changed color.



**Test failed:**

Certain areas of the indicator sheet have not changed color.



Any unexpected color change, such as the center of the test sheet being paler or a different color than the edges indicates that there was an air pocket present during the cycle due to sterilizer malfunction. Follow local/national requirements on the frequency of testing.

## Appendix 4 VACUUM TEST

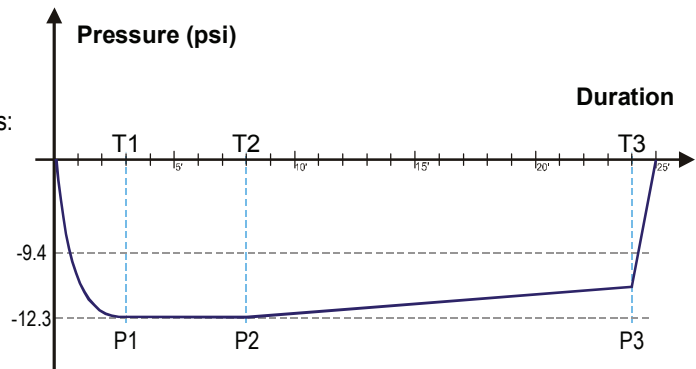
This test is used to validate the sterilizer in terms of vacuum pump performance and tightness of the pneumatic circuit.

The pressure profile of the vacuum test cycle is as follows:

Vacuum phase to P1 = - 12.3 psi

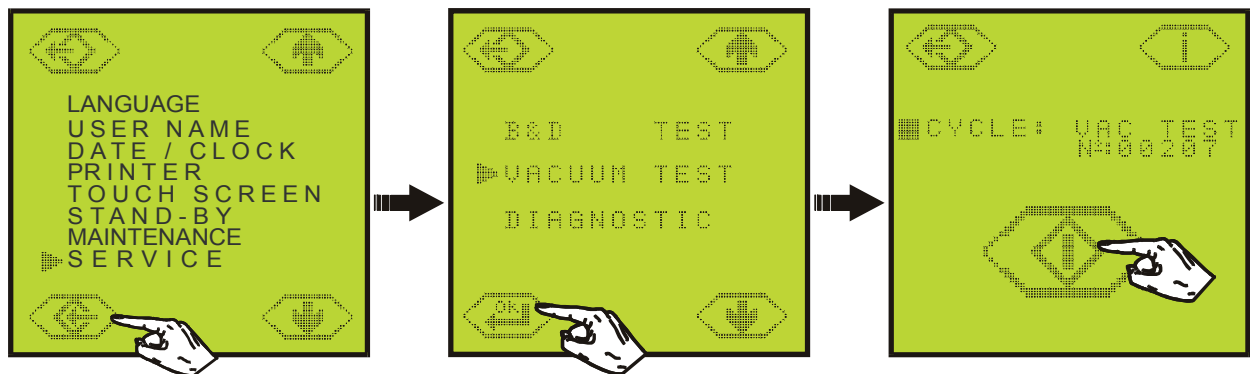
Stabilization period of 5 min. => T2; reading of P2

Testing period of 16 min. => T3; reading of P3



### Performing the test

- Select and start the Vacuum Test cycle from the Service submenu.



English

- The microprocessor makes the following calculation:  $P3 - P2$ . The result must be less than 0.29 psi \*.
- Test results are displayed at the end of the test cycle.

**\*NOTE:** According to the EN13060 standard, an independent external 1 mbar (0.001bar) accurate pressure sensor shall be connected in order to measure  $P3-P2$  lower than 13 mbar (0.013bar). The sensor fitted to the LISA sterilizer is 10 mbar (0.01 bar) accurate and therefore with the above comments considered  $P3-P2 < 20$  mbar (0.02bar = 0.29psi).


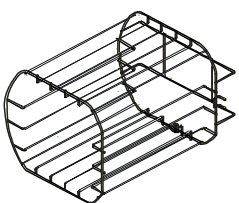

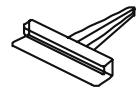
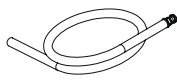
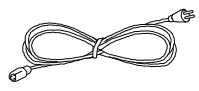






## Appendix 5 WATER QUALITY

The table below lists the quality of water to be used for steam sterilization as taken from the European standard EN13060.

	<b>Feed Water</b>
Evaporate residue	≤ 10 mg/l
Silicon oxide, SiO <sub>2</sub>	≤ 1 mg/l
Iron	≤ 0.2 mg/l
Cadmium	≤ 0.005 mg/l
Lead	≤ 0.05 mg/l
Other heavy metals, excluding iron, cadmium, lead	≤ 0.1 mg/l
Chloride	≤ 2 mg/l
Phosphate	≤ 0.5 mg/l
Conductivity (at 20°C)	≤ 15 µs/cm
pH value	5 to 7
Appearance	Colorless, clean, without sediment
Hardness	≤ 0.02 mmol/l

## Appendix 6 ACCESSORIES

DESCRIPTION		SPARE NUMBER
Aluminum tray		54.0019.00
Reversible rack		54.0018.00
Cassette holder		54.0016.00
Tray holder		54.0017.00
Drain tube		54.0029.00
Power cord		54.0046.00
Funnel		54.0024.00
Filter		54.0067.00
Door seal		54.0014.00
Lisa Log64		54.0353.00

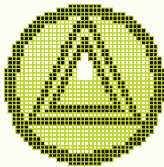
## Appendix 7    SYMBOLS



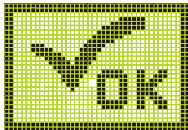
This symbol is visible on the front of the device under the door handle.  
It recommends attention be paid to the high temperatures associated with the chamber, the door and the area around the door handle.



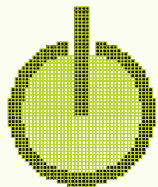
Attention, consult accompanying documents.



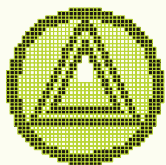
Manual Stop, Please wait



Cycle properly executed



Stand-by mode



Alarm; see “Description of the alarms”

## Appendix 8      WARRANTY

### A-dec|W&H Warranty

Highly qualified specialists have manufactured this A-dec|W&H product with extreme care. A wide variety of tests and inspections guarantee fault-free operation.

A-dec|W&H warrants this product against defects in material or workmanship for one year from the time of purchase. A-dec's sole obligation under warranty is to provide parts for the repair, or at its option, to provide replacement product.

The warranty does not cover damage resulting from improper installation, maintenance, accident, or misuse.

Failure to follow the instructions in the *Owner's Guide* may void the warranty.

We accept no responsibility for damage caused by improper handling or inadequate packaging during return of goods.

LISA MB 22 SN 00-0XXX

1 Year Warranty or  
1,000 cycles  
(see note)

Purchase date:

Supply depot:

Practice/Clinic/Laboratory  
address:

FOR LISA MB 22 ONLY

English

**NOTE:    Extend Your Warranty**

This warranty will be extended to 2 Years or 2,000 cycles if the A-dec|W&H LISA Installation Checklist is fully completed and a copy is either mailed or faxed to the address found on the Installation Checklist.

## Appendix 9 A-dec|W&H Lisa Installation Checklist

- |  |     |    |
|--|-----|----|
| 1. Is the countertop allocated for the LISA Sterilizer level and flat?   | Yes | No |
| 2. Does the area allocated for the LISA Sterilizer provide the recommended ventilation space?  | Yes | No |
| 3. Did the packing for the LISA Sterilizer appear undamaged?   | Yes | No |
| 4. When unpacked, did the LISA Sterilizer appear undamaged?  | Yes | No |
| 5. Did all of the accessories arrive with the Sterilizer?  | Yes | No |
| 6. Did you have all of your staff present during the in-service?   | Yes | No |
| 7. Were all sections of the owner's guide covered during the in-service?   | Yes | No |
| 8. Was a B-Standard 134 cycle run, following the instruction manual, with the tray rack and trays inserted? This cycle details each step required for setup of the sterilizer. | Yes | No |
| 9. Do you know what quality water is required for use in the sterilizer?   | Yes | No |
| 10. Have you been shown the procedure for filling and draining the main and used water tanks?  | Yes | No |
| 11. Have you been shown how to program your new LISA Sterilizer?   | Yes | No |
| 12. Have you been shown the cycle options?   | Yes | No |
| 13. Have you been shown what the Messages and Alarms mean?   | Yes | No |
| 14. Have you been shown how to manually abort a cycle?   | Yes | No |
| 15. Have you been advised of the weekly maintenance procedures?  | Yes | No |
| 16. Have you been shown how to use all of the accessories?   | Yes | No |
| 17. Have you been shown the advantages of having a data logger for your new LISA Sterilizer?   | Yes | No |

FOR LISA MB 22 ONLY

English

Lisa MB Serial Number: \_\_\_\_\_

Date: \_\_\_\_\_ Purchased From: \_\_\_\_\_ Installed By: \_\_\_\_\_

Dr./Clinic Name: \_\_\_\_\_

Address: \_\_\_\_\_

Phone: \_\_\_\_\_

Receiver's Signature: \_\_\_\_\_ Installer's Signature: \_\_\_\_\_

Upon completion of the Installation Checklist please fax a copy to:

**A-dec|W&H**  
**Fax: 503/538-0276**

-OR-

Make a copy of the Installation Checklist and mail it to:

**A-dec|W&H**  
**LISA Sterilizer Warranty**  
**2601 Crestview Drive**  
**Newberg, Oregon, 97132**



# Instructions pour l'utilisateur

## *Lisa* MB 17

### STERILISATEUR A VAPEUR D ' E A U

© 2007 BY A-DEC INC. ALL RIGHTS RESERVED.

2601 Crestview Drive, Newberg, OR 97132. Printed in the USA.

A-dec makes no warranty of any kind with regard to the content of this document, including but not limited to, the implied warranties of merchantability and fitness for a particular purpose. A-dec Inc. shall not be held liable for any errors contained herein or any consequential or other damages concerning the furnishing, performance or use of this material. The information in this document is subject to change without notice. If you find any problems with this document, please report them to us in writing. A-dec Inc. does not warrant that this document is error-free.

All other non-A-dec products or services mentioned in this document are covered by the trademarks, service marks, or product names designated by the companies marketing those products.

A word about this Owner's Guide: Every effort has been made to make this document as comprehensive and factual as possible.

We reserve the right, however, to make changes at any time without notice in prices, colors, materials, equipment specifications, models and availability. Since some information may have been updated since the time of printing, please check with A-dec for complete details.

# SOMMAIRE

<b>1.</b>	<b>DEBALLAGE</b> .....	<b>5</b>
1.1.	DEBALLAGE DU STERILISATEUR.....	5
1.2.	DEBALLAGE DES ACCESSOIRES.....	6
<b>2.</b>	<b>MISE EN SERVICE</b> .....	<b>7</b>
2.1.	INSTALLATION.....	7
2.2.	ALIMENTATION ELECTRIQUE.....	8
2.3.	CONNEXION DU LISA LOG64 (optionnel).....	9
<b>3.</b>	<b>DESCRIPTIF</b> .....	<b>10</b>
3.1.	DISPOSITIFS EN FACADE.....	10
3.2.	DISPOSITIF SUR LE PANNEAU ARRIERE.....	11
<b>4.</b>	<b>UTILISATION</b> .....	<b>12</b>
4.1.	MENU PRINCIPAL.....	12
4.2.	DESCRIPTION DES RESERVOIRS D'EAU.....	13
4.3.	REPLISSAGE DU RESERVOIR D'EAU DISTILLEE.....	14
4.4.	VIDANGE DU RESERVOIR D'EAU USEE.....	15
4.5.	PROGRAMMATION.....	16
4.5.1.	PROGRAMMATION DE LA LANGUE.....	17
4.5.2.	PROGRAMMATION DU NOM DU PRATICIEN / CABINET.....	17
4.5.3.	PROGRAMMATION DATE ET HEURE.....	18
4.5.4.	PROGRAMMATION DE L'IMPRIMANTE.....	18
4.5.5.	PROGRAMMATION DU CONTRASTE DE L'ECRAN TACTILE.....	19
4.5.6.	PROGRAMMATION DU MODE DE VEILLE.....	19
4.5.7.	PROGRAMME MAINTENANCE.....	20
4.5.8.	PROGRAMME SERVICE TECHNIQUE.....	20
4.6.	PROGRAMMES – DEPART- DU CYCLE.....	21
4.6.1	PROGRAMMES.....	21
4.6.2	SELECTION - DEPART DU CYCLE.....	22
4.6.3.	DEROULEMENT DU CYCLE.....	23
4.6.4.	COPIES DU DERNIER CYCLE.....	23
4.7	ARRET MANUEL.....	24
4.8.	INFO DONNEES TECHNIQUES.....	24
4.8.	INFO DONNEES TECHNIQUES.....	25
4.9.	RESUME DONNEES TECHNIQUES (fin de cycle).....	26
<b>5.</b>	<b>MESSAGES</b> .....	<b>27</b>
<b>6.</b>	<b>ALARMES</b> .....	<b>28</b>
6.1	DESCRIPTION DES ALARMES.....	29
<b>7.</b>	<b>ENTRETIEN PAR L'UTILISATEUR</b> .....	<b>31</b>
7.3.	NETTOYAGE DE LA CHAMBRE, DES PLATEAUX ET DU SUPPORT.....	32
7.4.	NETTOYAGE DES PARTIES EXTERNES.....	32
7.5.	REPLACEMENT DU FILTRE.....	32
7.6.	REPLACEMENT DU JOINT DE PORTE.....	33
<b>8.</b>	<b>ENTRETIEN PAR LE SERVICE TECHNIQUE AGREE</b> .....	<b>34</b>
<b>9.</b>	<b>GUIDE DE DEPANNAGE</b> .....	<b>35</b>
<b>Annexe 1</b>	<b>CARACTERISTIQUES TECHNIQUES</b> .....	<b>36</b>
<b>Annexe 2</b>	<b>PREPARATION AVANT LA STERILISATION</b> .....	<b>37</b>
<b>Annexe 3</b>	<b>CONTROLE DE LA STERILISATION</b> .....	<b>38</b>
<b>Annexe 5</b>	<b>QUALITE DE L'EAU</b> .....	<b>40</b>
<b>Annexe 6</b>	<b>ACCESSOIRES</b> .....	<b>41</b>
<b>Annexe 7</b>	<b>SYMBOLES</b> .....	<b>42</b>
<b>Annexe 8</b>	<b>GARANTIE</b> .....	<b>43</b>
<b>Annexe 9</b>	<b>LISTE DE CONTROLE D'INSTALLATION A-dec W&amp;H</b> .....	<b>44</b>



## RECOMMANDATIONS - SECURITE

Ce mode d'emploi a pour but de fournir toutes les informations nécessaires afin de vous assurer :

- Une bonne installation et mise en service.
- Une utilisation optimale.
- Un fonctionnement sûr et durable.
- Un entretien régulier et efficace.

## UTILISATION CONFORME :

Cet appareil doit être utilisé pour la stérilisation à la vapeur d'eau de charges solides compactes, poreuse et à corps creux, non emballés, en simple ou en double emballage

## RECOMMANDATIONS GENERALES - SECURITE

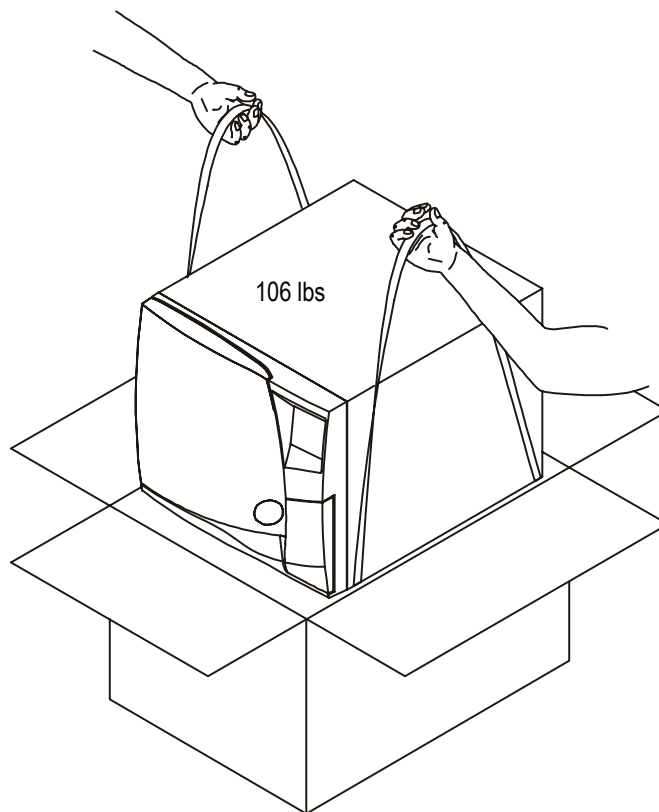
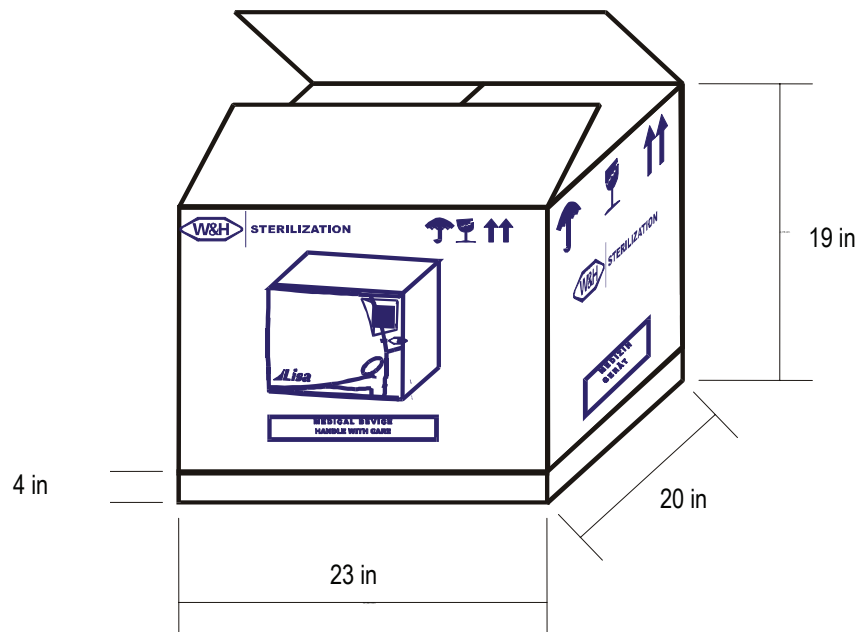
- L'utilisateur est tenu pour responsable en ce qui concerne l'installation, l'utilisation et l'entretien du stérilisateur conformément aux prescriptions de ce manuel.
- Le stérilisateur n'a pas été étudié pour la stérilisation de liquides.
- Le stérilisateur n'a pas été conçu pour fonctionner en présence de gaz ou de vapeurs explosives.
- A la mise sous tension du stérilisateur, la cuve est portée et maintenue à haute température (170°F).
- En fin de cycle, les plateaux et la charge sont encore chauds, utiliser la clé porte plateau pour les extraire de la cuve.
- Respecter la masse maximale pour chaque type de charge (*Tableau des cycles*).
- Ne pas retirer la plaque signalétique ou toute autre étiquette de l'appareil.
- Ne pas verser d'eau ou autre liquide sur l'appareil pouvant provoquer un court-circuit.
- Débrancher le cordon secteur avant toute intervention ou entretien sur l'appareil.
- Les interventions techniques doivent être effectuées uniquement par un technicien agréé A-dec/W&H et en utilisant exclusivement des pièces détachées d'origine.
- En cas de transport, vidanger complètement les réservoirs du stérilisateur, laisser refroidir la chambre de stérilisation et utiliser de préférence l'emballage d'origine.  
(voir : *Remplissage du réservoir d'eau distillée et vidange du réservoir d'eau usée*)

## 1. DEBALLAGE

Le stérilisateur, les accessoires, le mode d'emploi et le bon de garantie sont livrés dans un seul carton.

Dès réception, contrôler l'état de l'emballage. En cas de dommages extérieurs, veuillez immédiatement émettre des réserves au transporteur et en informer votre fournisseur.

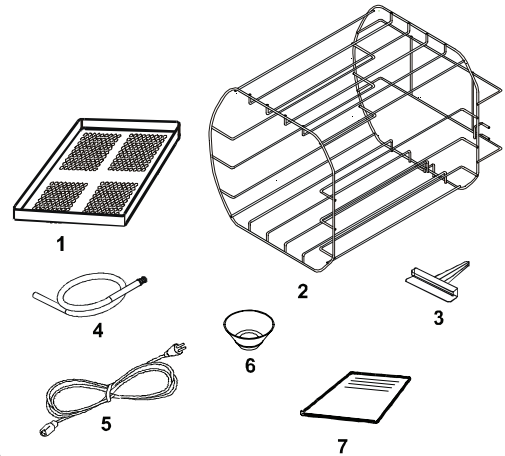
### 1.1. DEBALLAGE DU STERILISATEUR



## 1.2. DEBALLAGE DES ACCESSOIRES

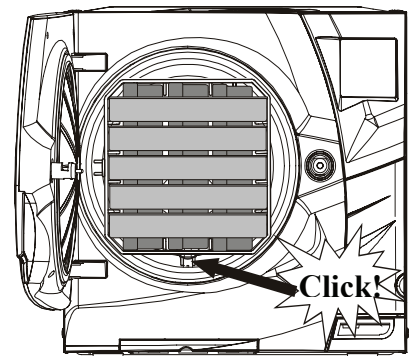
1. Ouvrir la porte et retirer les accessoires se trouvant dans la chambre de stérilisation.
2. Vérifier le contenu :

- ① 5 plateaux en aluminium anodisé
- ② Support plateaux réversible 3/5 plateaux
- ③ Clé porte plateaux
- ④ Tuyau de vidange
- ⑤ Cordon secteur
- ⑥ Entonnoir
- ⑦ Mode d'emploi - bon de garantie



3. Insérer et encliqueter le support plateau dans la chambre de stérilisation. Le support est réversible et peut être positionné afin de recevoir soit :

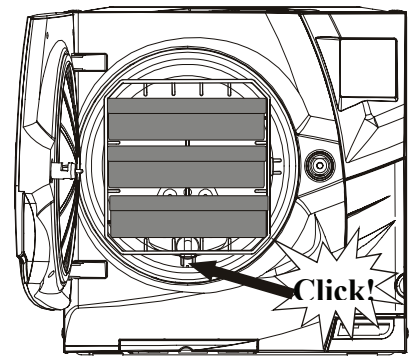
5 plateaux horizontalement / 3 cassettes verticalement.



ou



3 Plateaux / cassettes horizontalement.



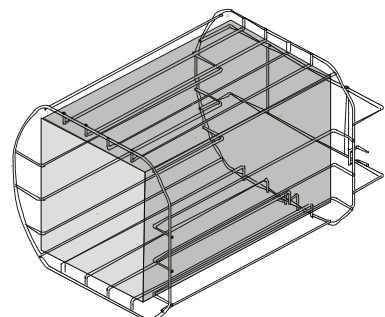
### Espace utile :

C'est le volume à l'intérieur de la cuve qui peut recevoir la charge du stérilisateur.

Ce volume correspond à un parallélépipède de dimensions :

L : 7.5 in, H : 8 in, P : 12 in (i.e., 12 litres)

Il est identique pour tous les cycles et tous types de charge.

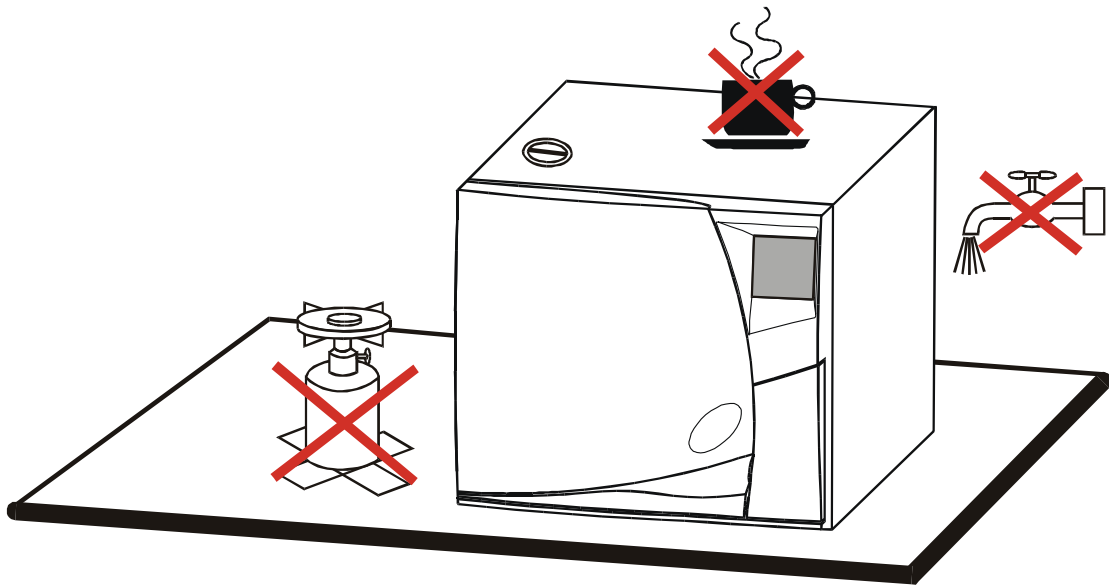


## 2. MISE EN SERVICE

### 2.1. INSTALLATION

Le stérilisateur a été calibré et testé en usine et ne nécessite aucun réglage à la mise en service.

Température d'utilisation : 50°F à 104°F / Humidité : 0 à 90%.  
 Température de stockage : -4°F à 140°F / Humidité : 0 à 90% (Réservoirs vides).



#### Installer l'appareil en suivant les recommandations suivantes:

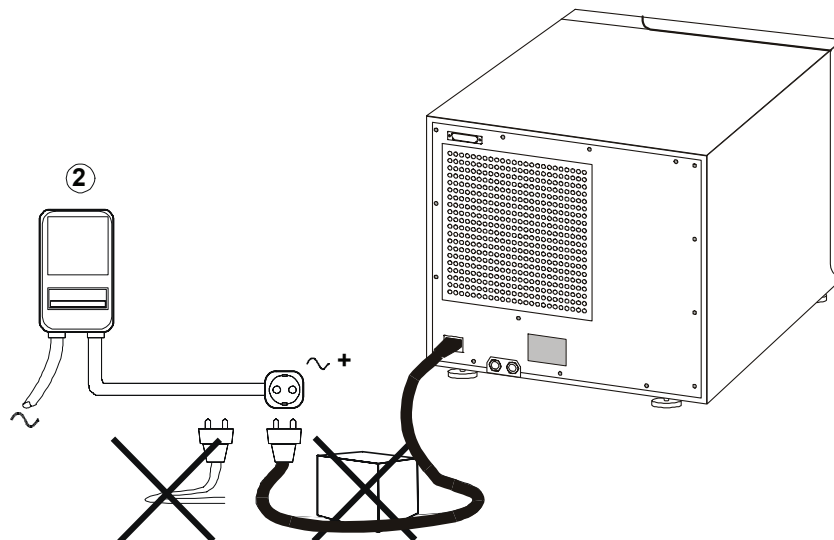
1. L'autoclave doit être posé sur une surface plane et de niveau.
2. Le poids maximum, réservoir plein et cuve pleine charge est de :  
57,0 Kg – 125 lbs
3. Pour une bonne aération du stérilisateur, laisser un espace de 5 cm à l'arrière et 2 cm de côté.
4. Eviter la proximité d'un évier et en général tous risques de projections d'eau qui pourraient provoquer des courts-circuits .
5. Installer l'autoclave dans un local bien ventilé.
6. Eviter la proximité de sources de chaleur.

## 2.2. ALIMENTATION ELECTRIQUE

Pour assurer le fonctionnement appropriée du stérilisateur Lisa MB17, la source d'alimentation doit être 230/240 VCA +/- 10% (207-264 VCA) monophasé, 50/60 Hz, minimum 10 A et par une ligne secteur donnée.

Valeurs de tension inférieures à 230/240 VCA augmentent la durée totale du cycle de stérilisation sélectionné. Valeurs de tension inférieures à 215 VCA sont sujettes aux chutes de tension provoquées par les irrégularités de la tension secteur qui pourraient causer des erreurs fonctionnelles du stérilisateur.

Pour assurer les durées idéales des cycles et pour éviter erreurs fonctionnels provoqués par chutes de tension quand la valeur de la tension secteur est inférieure à 215 VCA, nous recommandons l'installation d'un transformateur dévolteur-survolteur (pour élever la tension à 230/240 VCA).

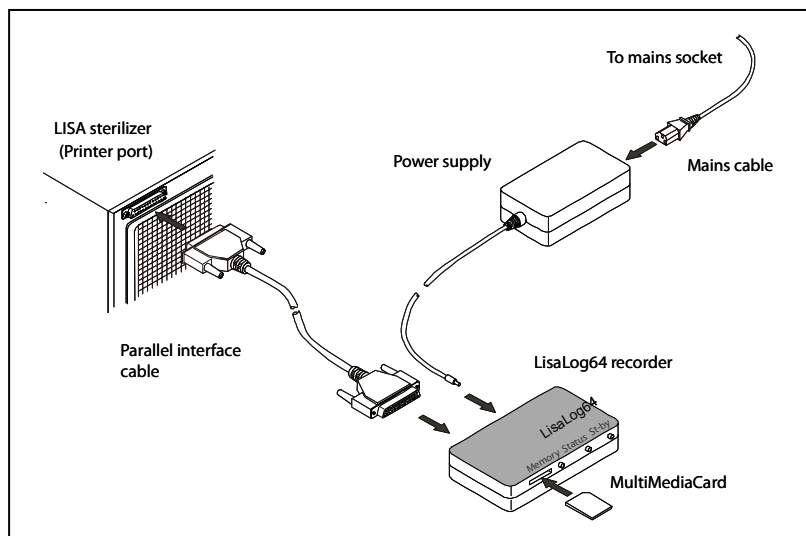


- L'installation électrique doit être conforme aux normes en vigueur du pays
- En cas de doute, faire vérifier l'installation par un technicien qualifié
- Une prise de terre de très bonne qualité est indispensable
- La puissance maximale absorbée du stérilisateur est de 2100 W (9,2A)
- Utiliser uniquement le cordon secteur livré en accessoire
- Ne pas brancher d'autres appareils sur la même prise
- Ne pas plier ou coincer le cordon secteur

## 2.3 CONNEXION DU LISA LOG64 (optionnel)

Le Lisa Log64 est employé pour sauvegarder numériquement les paramètres du cycle de stérilisation sur une carte mémoire (carte SD) pour l'enregistrement des données du cycle et pour la documentation. Les données du cycle peuvent être transférées depuis la carte mémoire sur un ordinateur.

Placer l'appareil au-dessus du stérilisateur ou à ses côtés. Ne pas couvrir les ouvertures des réservoirs et ne pas placer l'appareil derrière le stérilisateur pour éviter tous dommages causés par la chaleur.



### Connexion du Lisa Log64

1. Eteindre le stérilisateur Lisa.
2. Connecter une extrémité du câble à interface parallèle au port parallèle du stérilisateur, situé à l'arrière, coté haut-gauche et l'autre extrémité au port parallèle du Lisa Log64.
3. Brancher le cordon secteur du Lisa Log64.
4. Allumer le stérilisateur.
5. Insérer la carte mémoire (carte SD) dans son logement, comme illustré au-dessus. Utiliser une carte mémoire avec capacité de 128 Mo ou moins. Toutes cartes avec capacité supérieure ne fonctionneront pas avec cet appareil.

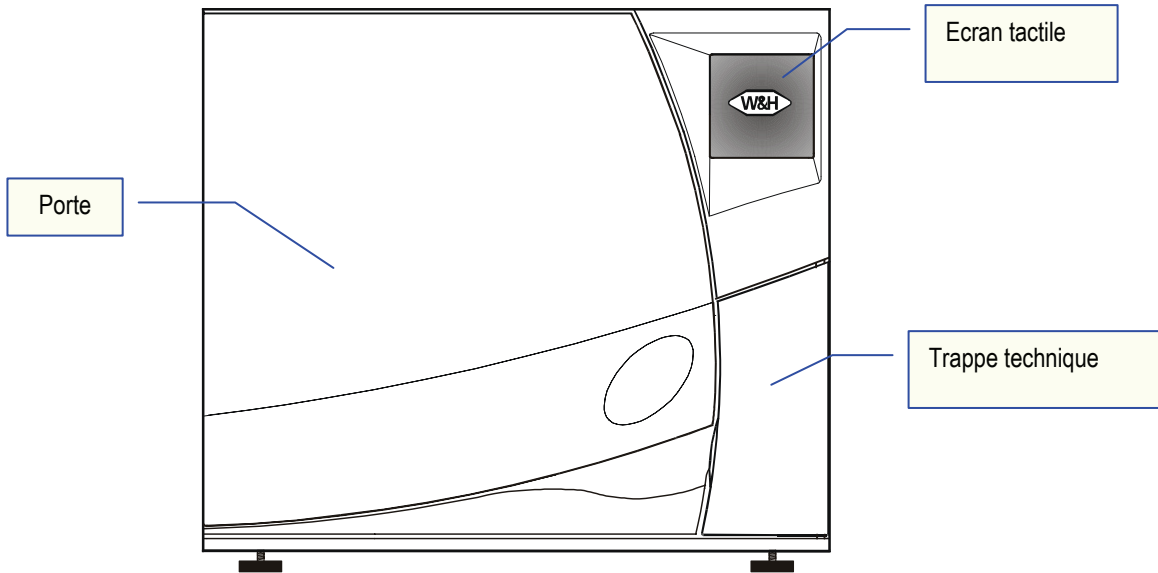
Les données des cycles seront automatiquement sauvegardées sur la carte mémoire. Il n'est pas nécessaire de changer les paramètres sur le stérilisateur. Transférer périodiquement les données de la carte mémoire sur ordinateur. Aucun logiciel particulier n'est requis pour la gestion des données des cycles, ouvrir simplement chaque fichier en y cliquant deux fois pour les visualiser.

Le système sauvegarde un fichier pour chaque cycle qui a été achevé. Les informations suivantes peuvent être visualisées lors qu'un fichier est ouvert :

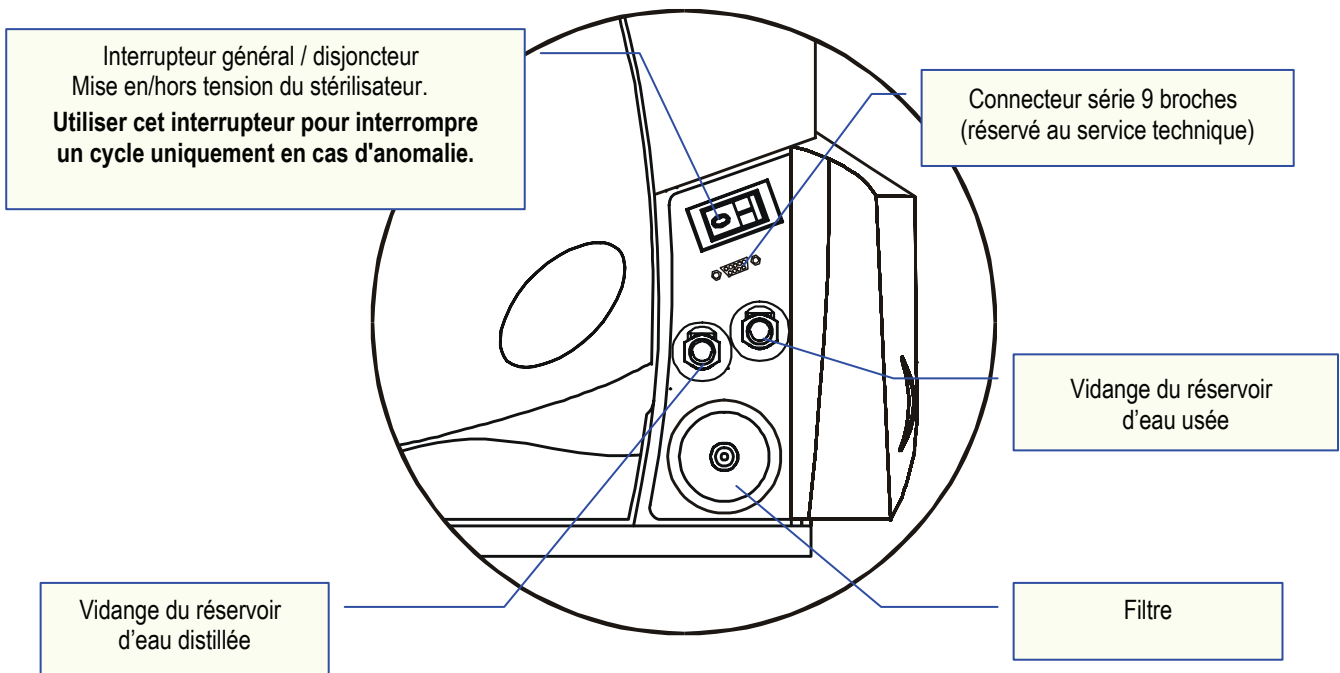
- Nom du docteur / clinique
- Numéro de série du stérilisateur
- Nombre de cycles
- Heure et date de début et fin du cycle
- Nom du cycle
- Durée, température et pression de toutes les phases du cycle
- Résultat du cycle

### 3. DESCRIPTIF

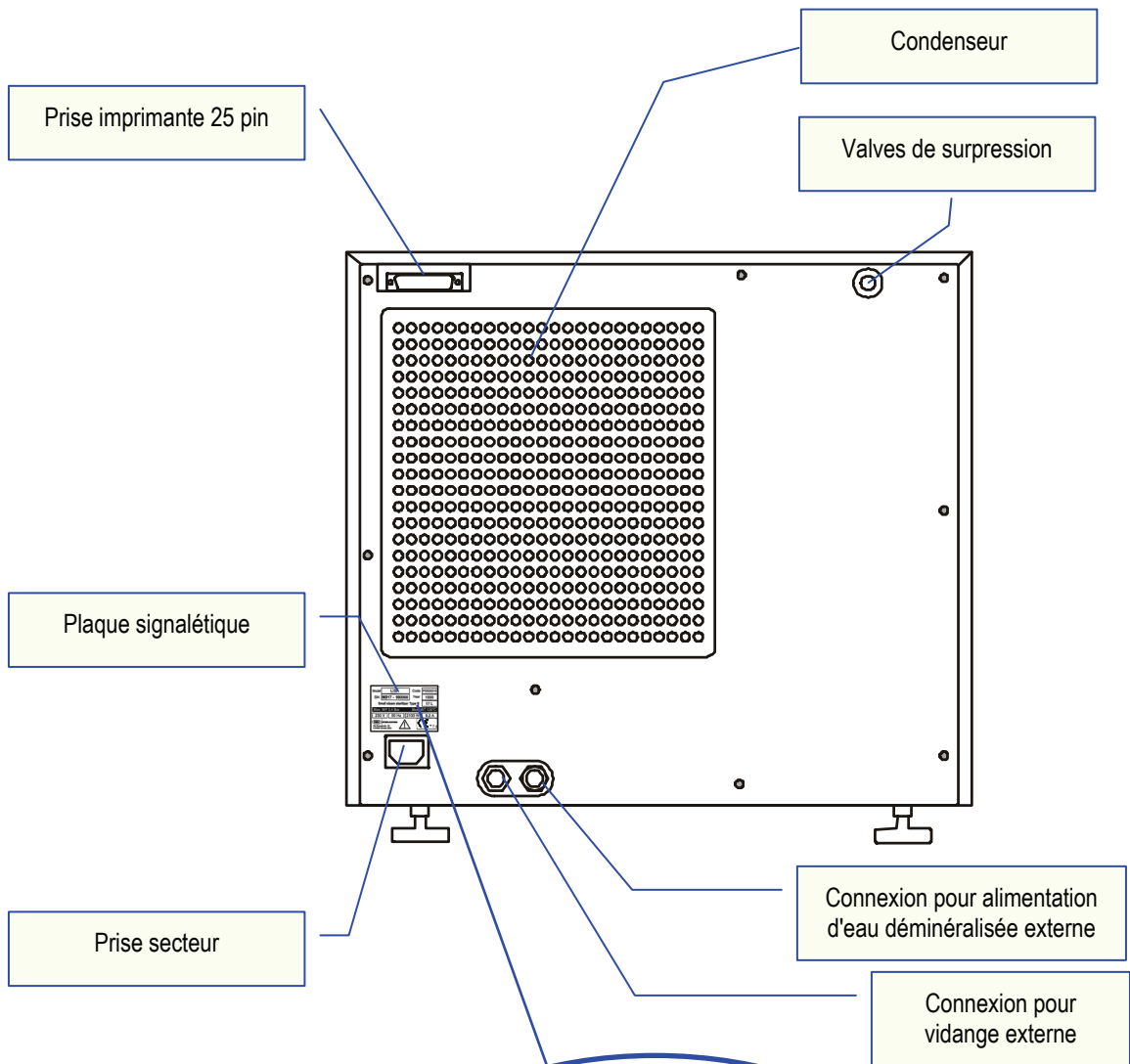
#### 3.1. DISPOSITIFS EN FACADE



Intérieur de la porte



### 3.2. DISPOSITIF SUR LE PANNEAU ARRIERE



Français

Model / Modèle	<b>LISA MB 17</b>	Code	<b>P0000010</b>
SN	<b>AA-XXXX</b>	Year / Année	<b>AAAA</b>
<b>Small Steam Sterilizer</b>		<b>Type B</b>	<b>17 l / 18 qt</b>
<b>Petit Sterilisateur à Vapeur</b>			
<b>Max. W.P. / P.Max</b>		<b>Max. W.T. / T.Max.</b>	
<b>2.4 bar / 34.8 psi</b>		<b>138 °C / 280.4 °F</b>	
<b>230/240 Vac</b>	<b>50 / 60 Hz</b>	<b>2100 W</b>	
W&H Sterilization s.r.l. Italy, I - 24080 Brusaporto, Bergamo (BG) Via Bolgara, 2 t +39 035 66 63 000 f +39 035 50 96 988 e office@wnhster.it		CE 0051 adf NF conforme produit certifié	Made in Europe Produit en Europe



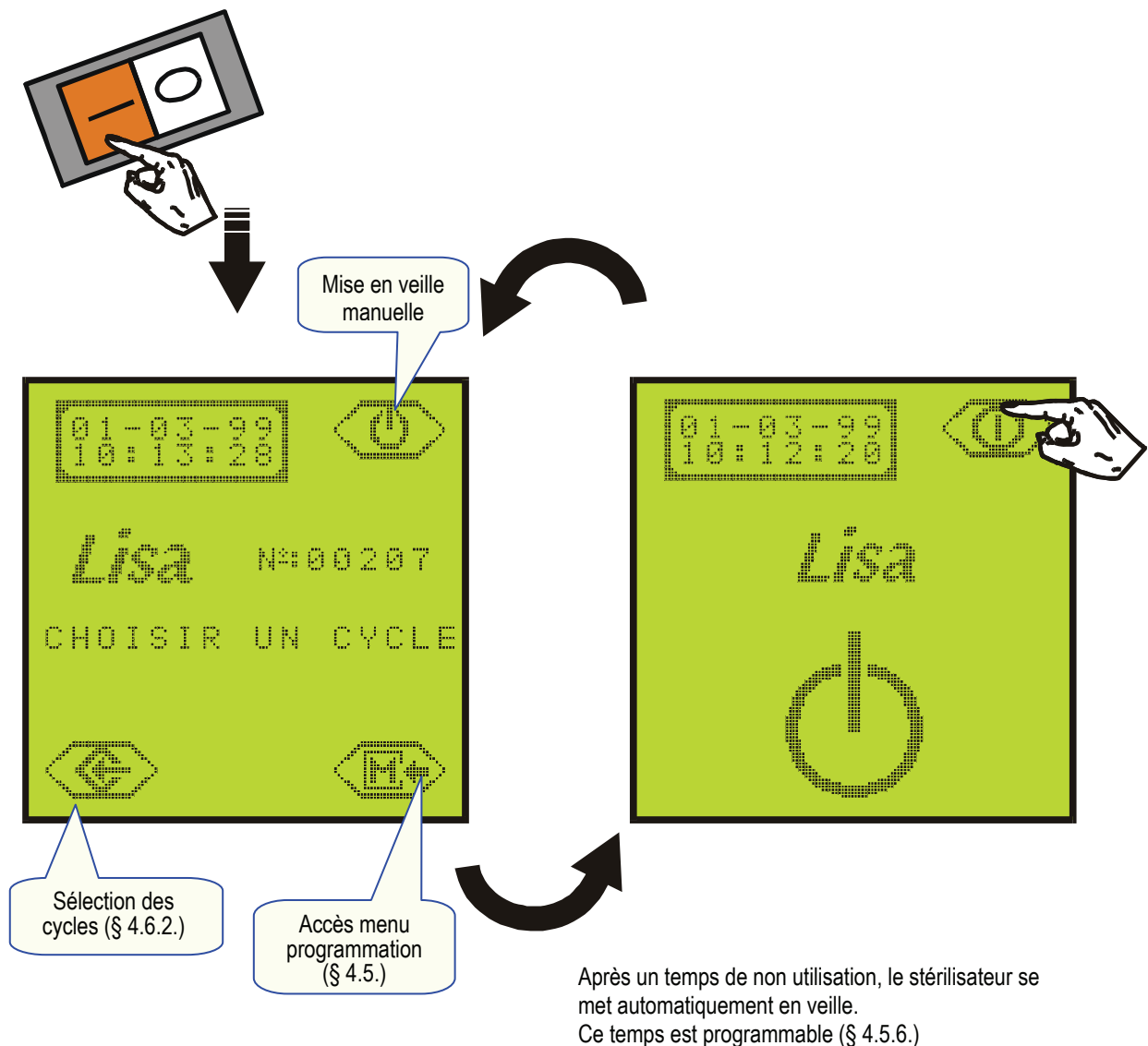
## 4. UTILISATION

**NOTE:** → Pour toutes autres informations détaillées sur la préparation de la charge avant la stérilisation, voire Annexe 2 "PREPARATION AVANT LA STERILISATION"

→ Pour toutes autres informations détaillées sur le contrôle de la stérilisation, voir Annexe 3 "CONTROLE DE LA STERILISATION"

### 4.1. MENU PRINCIPAL

Actionner l'interrupteur général, l'écran de sélection des cycles apparaît.



**NOTE :** A la mise sous tension du stérilisateur, la cuve est automatiquement préchauffée à 170°F. La durée du préchauffage, départ à température ambiante, est d'environ 10 minutes. Il est néanmoins possible de sélectionner et de démarrer un cycle avant la fin du préchauffage. Le stérilisateur continuera avec le préchauffage et commence automatiquement le cycle sélectionné après le terminaison du préchauffage.

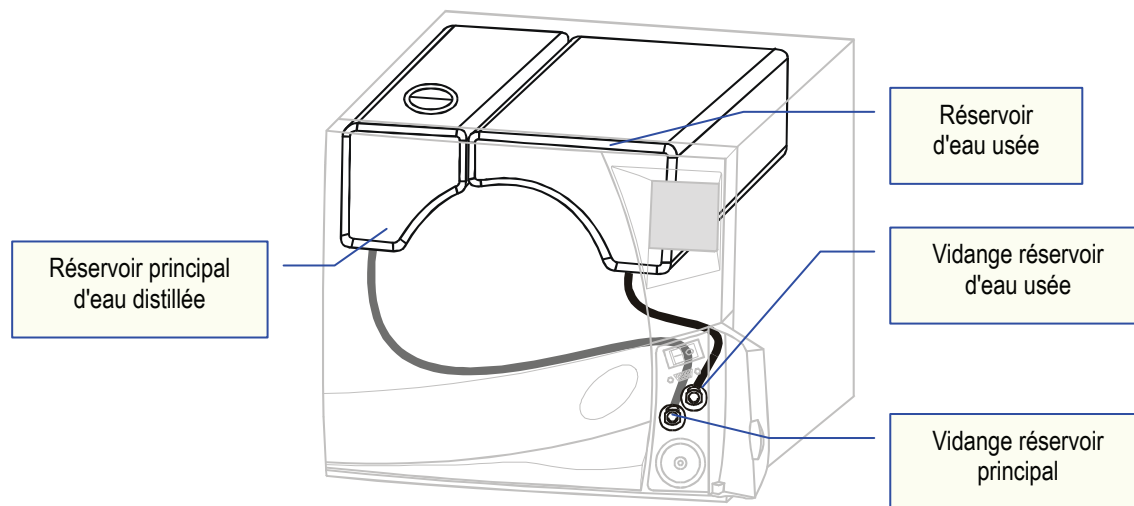
## 4.2. DESCRIPTION DES RESERVOIRS D'EAU

Le stérilisateur est équipé de 2 réservoirs indépendants de contenance égale de 3,5 litres.

Le réservoir de gauche, que nous appellerons "**réservoir principal**" contient l'eau distillée ou déminéralisée nécessaire au cycle. Il est équipé de 2 sondes de niveau minimum (0,5l) et maximum (3,5l).

Le réservoir de droite que nous appellerons "**réservoir d'eau usée**" contient l'eau récupérée en fin de cycle. Il est équipé d'un capteur de niveau maximum (3,5l).

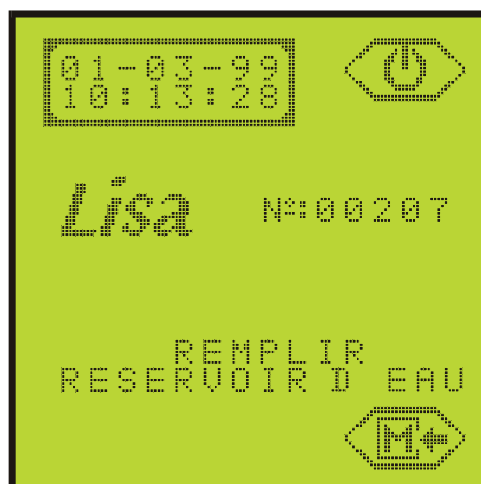
Les 2 réservoirs sont connectés aux robinets de vidange situés derrière la trappe de service.



La consommation d'eau par cycle est variable, selon le matériaux et le poids total de la charge stérilisée.

Note : l'autonomie moyenne du stérilisateur est de 8 cycles.

A la mise sous tension ou à la fin d'un cycle, lorsque le niveau d'eau mini du réservoir principal est atteint, un message apparaît sur l'écran. Il est impossible de sélectionner un cycle, la touche de sélection est absente.



### 4.3. REMPLISSAGE DU RESERVOIR D'EAU DISTILLEE

**ATTENTION:** Utiliser uniquement de l'eau distillée ou déminéralisée! Le contenu de minéraux dans l'eau doit être inférieur à 10 ppm (parties part million) ou inférieur à 15 Micro siemens/cm (*Annexe 6*).

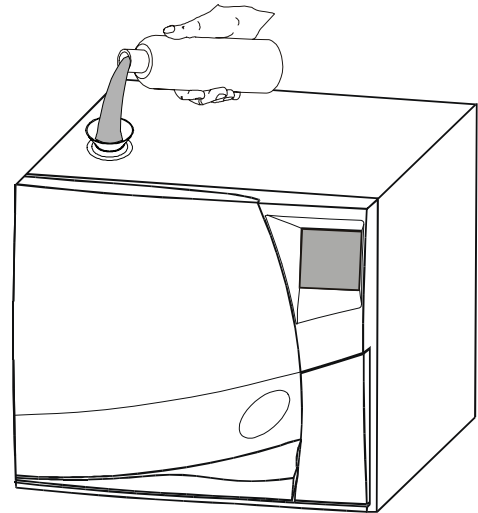
1. Dévisser le capuchon du réservoir principal situé sur le dessus de l'appareil.

2. Remplir le réservoir avec environ 3 litres d'eau déminéralisé.

Un signal sonore indique que le niveau maxi du réservoir est pratiquement atteint.

3. Stopper le remplissage aussitôt que le signal sonore est entendu.

4. Vider le réservoir d'eau usée.



**NOTE :** Si le stérilisateur n'est pas utilisé pendant plus de 3 jours, les 2 réservoirs d'eau doivent être vidangés afin d'éviter la formation d'algues ainsi que d'autres dépôts.

#### 4.4. VIDANGE DU RESERVOIR D'EAU USEE

Lorsque le réservoir d'eau usée est plein, il est impossible de sélectionner un cycle et le message suivant apparaît :



Ouvrir la trappe technique.

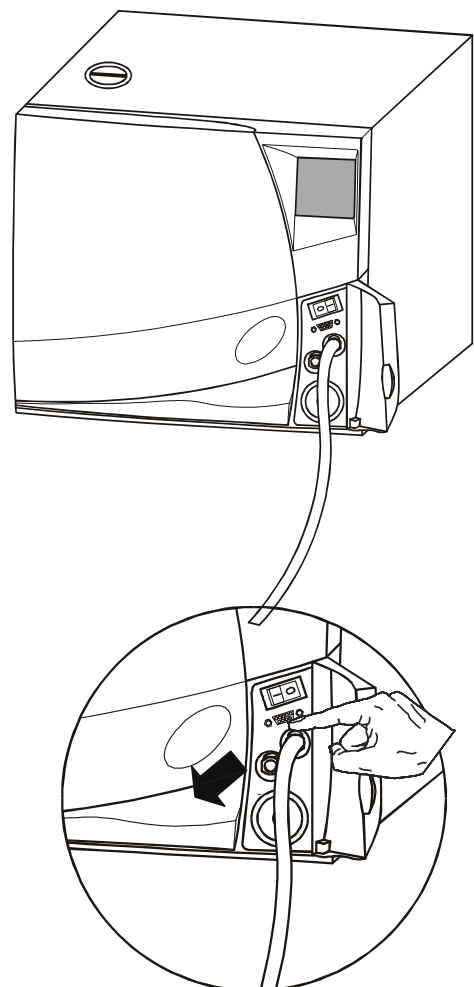
Enclencher le tuyau de vidange dans le raccord rapide du réservoir d'eau usée (droite).

Laisser s'écouler tout le contenu du réservoir, jeter l'eau usée.

**NE JAMAIS REUTILISER L'EAU USEE !**

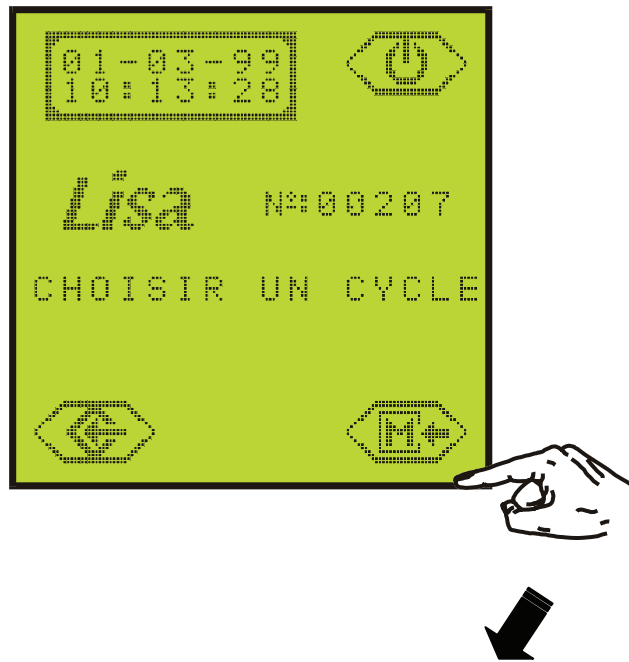
Déconnecter le tuyau de vidange en actionnant le bouton poussoir du raccord rapide.

NOTE : Il est possible d'effectuer simultanément la vidange de l'eau usée et le remplissage du réservoir principal.

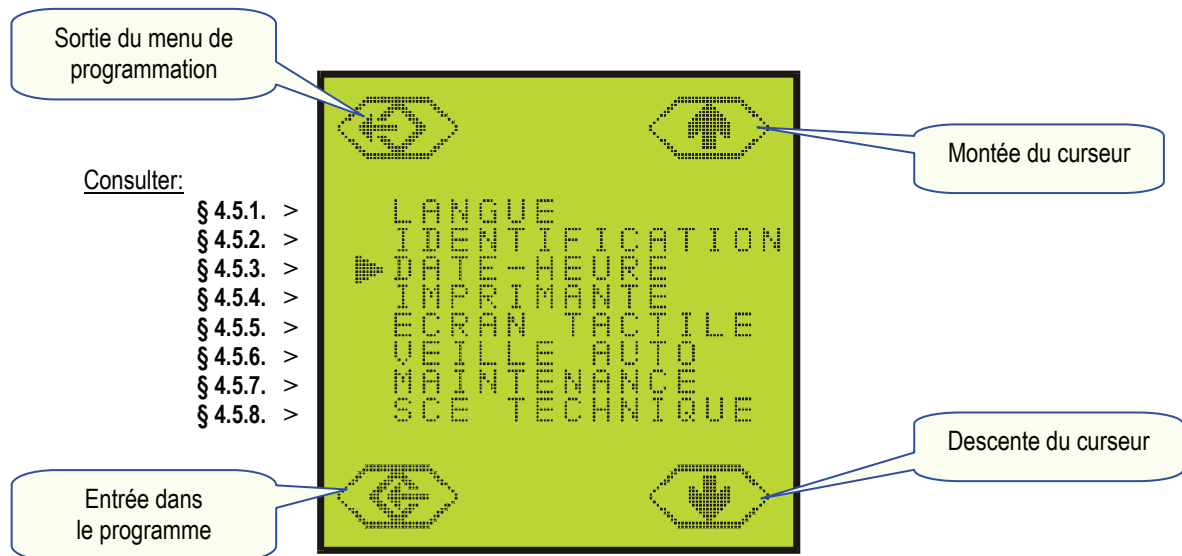


## 4.5. PROGRAMMATION

1. Actionner la touche "M" de l'écran de sélection.



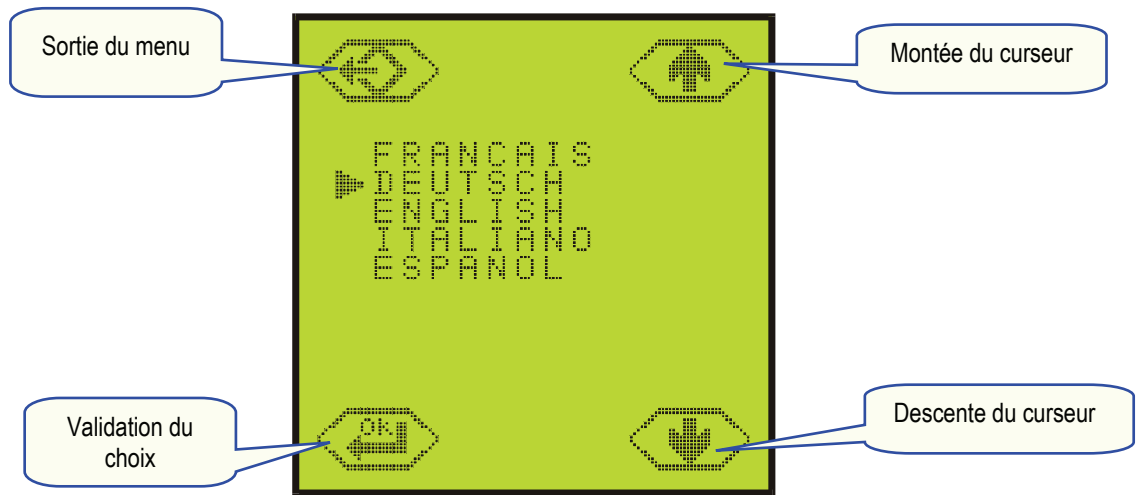
Le menu de programmation apparaît.



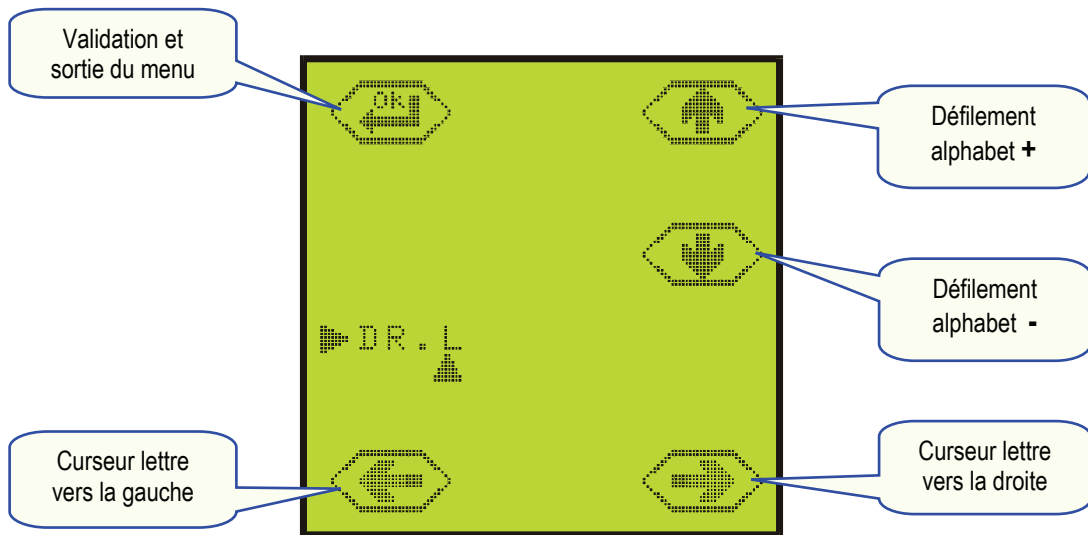
Amener le curseur "►" en face du sous menu à l'aide des touches de montée et de descente du curseur, puis entrer dans le sous menu.

Consulter le chapitre relatif au sous menu choisi.

#### 4.5.1. PROGRAMMATION DE LA LANGUE



#### 4.5.2. PROGRAMMATION DU NOM DU PRATICIEN / CABINET

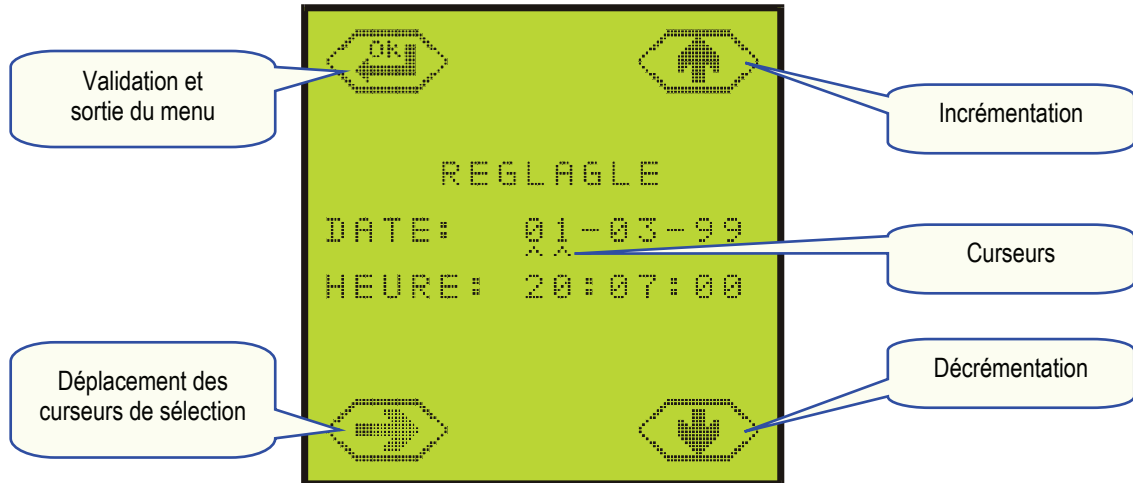


Français

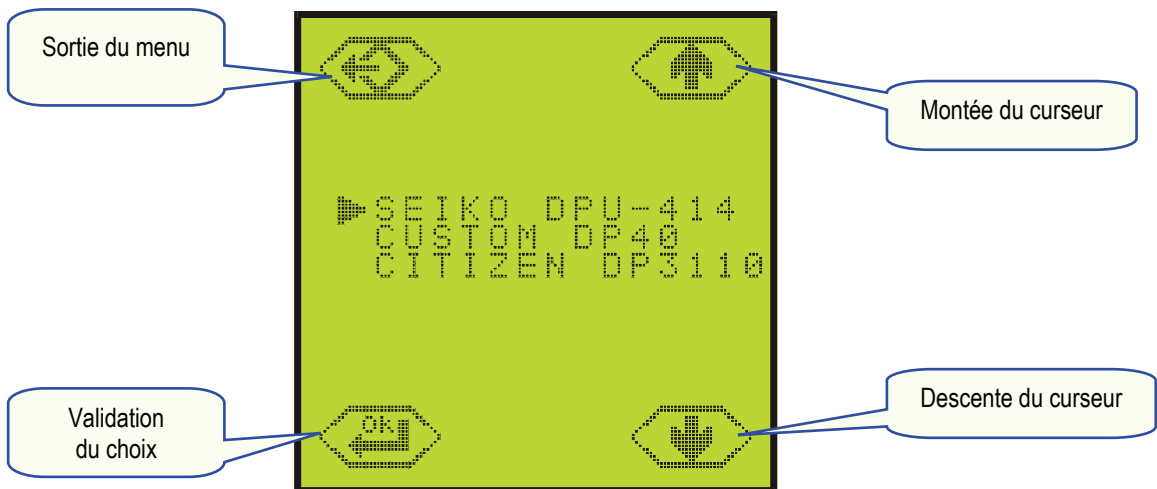
### 4.5.3. PROGRAMMATION DATE ET HEURE

Il est indispensable de régler la date et l'heure, surtout si le stérilisateur est connecté à une imprimante car ces paramètres sont systématiquement imprimés au début et à la fin des rapports de cycle.

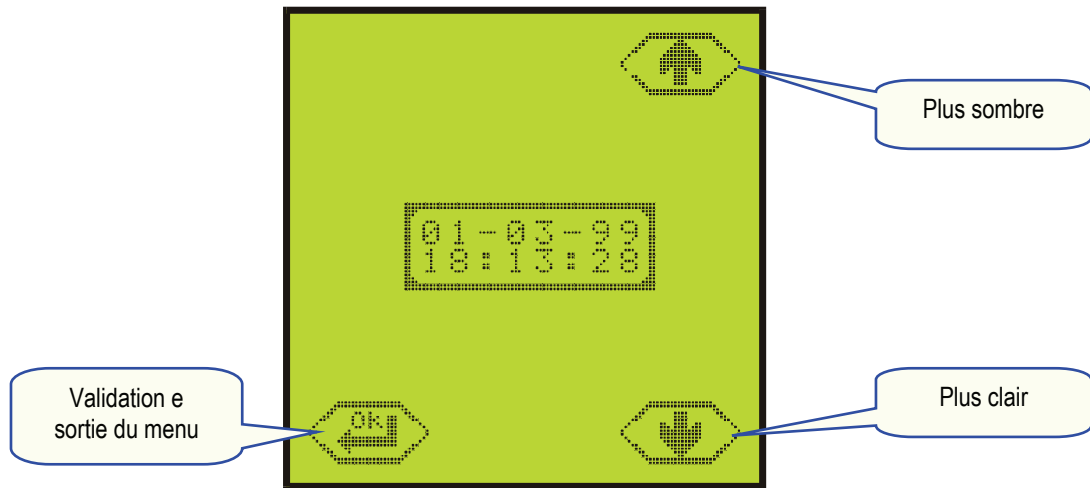
Placer les curseurs de sélection sous la donnée à modifier, incrémenter ou décrétement sa valeur et déplacer les curseurs sous la valeur suivante et ainsi de suite. En fin de programmation, valider par la touche "Ok".



### 4.5.4. PROGRAMMATION DE L'IMPRIMANTE

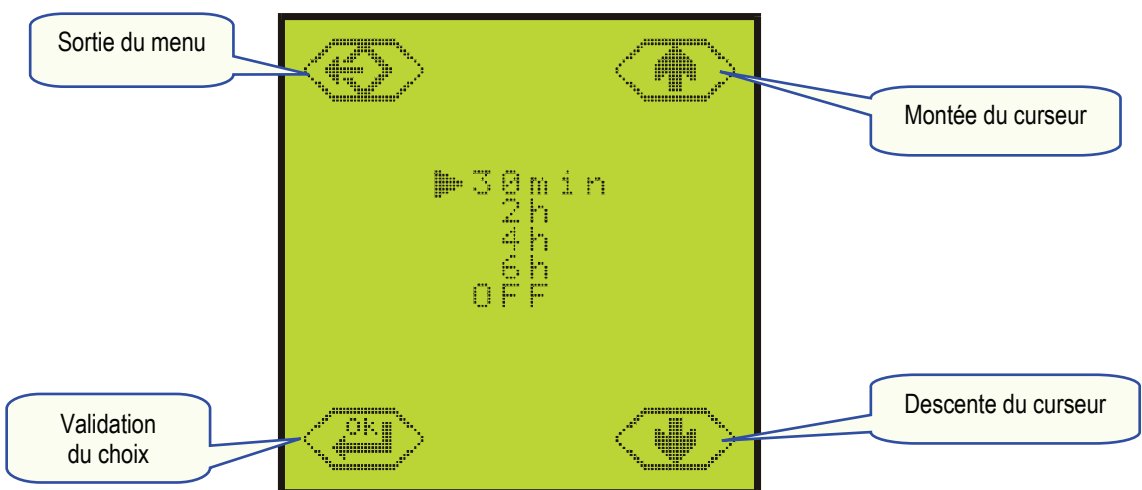


#### 4.5.5. PROGRAMMATION DU CONTRASTE DE L'ECRAN TACTILE



NOTE : Le format de la date est configuré en mm : jj : aa

#### 4.5.6. PROGRAMMATION DU MODE DE VEILLE



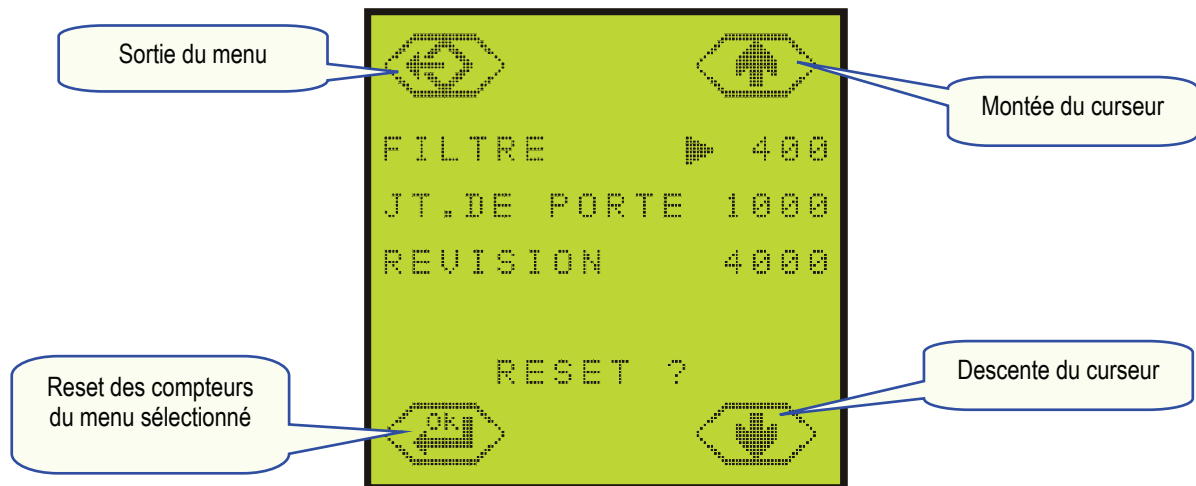


#### 4.5.7. PROGRAMME MAINTENANCE

Cet écran indique le nombre de cycles restants à effectuer avant le remplacement du filtre (400) et du joint de porte (1000) ainsi que la révision complète (4000). Les 3 compteurs sont décrémentés à chaque cycle.

Lorsqu'un compteur arrive à 0, un message apparaît au bas de l'écran de sélection. Il n'est pas possible de démarrer un cycle (la touche de sélection disparaît). La lecture du message doit être confirmée par la touche "Ok" avant de pouvoir sélectionner un nouveau cycle. Le compteur est automatiquement réinitialisé.

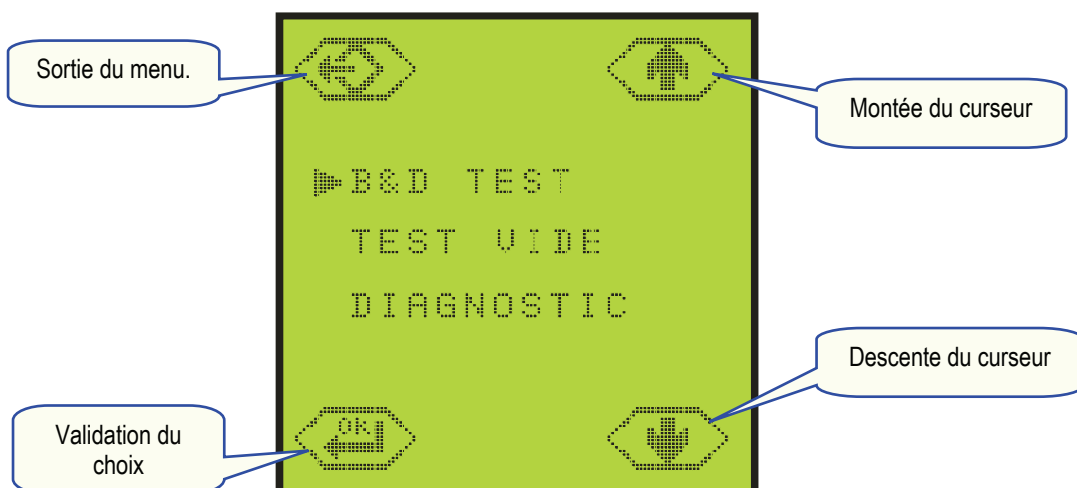
Si l'opération est effectuée avant la fin du décompte, il est nécessaire de réinitialiser le compteur manuellement en plaçant le curseur en face de l'opération qui vient d'être effectuée et valider par la touche "Ok".



#### 4.5.8. PROGRAMME SERVICE TECHNIQUE

Dans ce menu il est possible de sélectionner et d'effectuer les cycles de contrôle, Bowie & Dick et test de vide.

L'option diagnostique est réservée au service technique et nécessite un code d'accès.

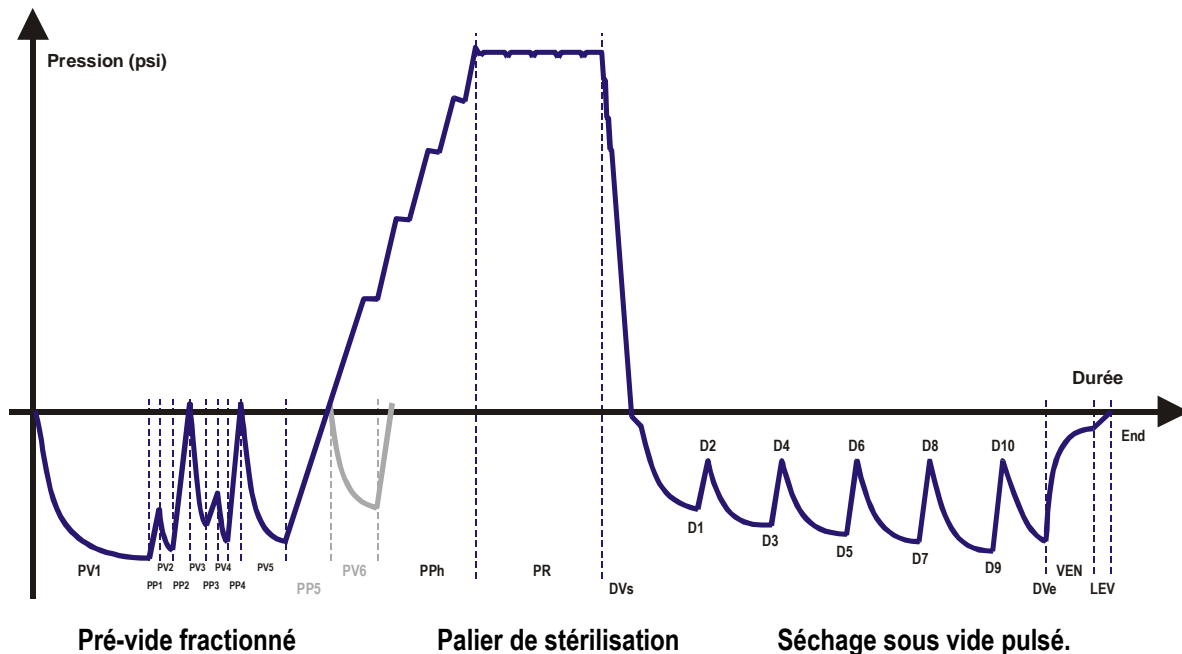


## 4.6. PROGRAMMES – DEPART- DU CYCLE

### 4.6.1 PROGRAMMES

CYCLES		Standard B 273	Extended B 273	Standard B 250	Test B&D	Test de vide
Température		273°F	273°F	250°F	273°F	--
Pression		31.5 psi	31.5 psi	17 psi	31.5 psi	-12.3 psi
Durée du palier de stérilisation		4 min.	18 min.	30 min.	3 min. 20 sec.	16 min.
Durée du séchage		15 min.	15 min.	20 min.	4 min.	--
Durée totale : vide-pleine charge		32 min. - 52 min.	46 min. - 66 min.	48 min. - 68 min.	26 min.	25 min.
TYPE DE CHARGE	Produits solides pleins	OUI	OUI	OUI	A vide	
	Petites charges poreuses	OUI	OUI	OUI		
	Pleine charge poreuse	OUI	OUI	OUI		
	Corps creux A (Instr.rotative) - B	OUI	OUI	OUI		
	Non emballé	OUI	OUI	OUI		
	Simple / double emballage	OUI	OUI	OUI		
	Charge maximale: solide / poreuse	6.0 / 2 kg	6.0 / 2 kg	6.0 / 2 kg		
<b>Matériaux :</b> Les 3 cycles de stérilisation peuvent stériliser et sécher tout type de charge : solide, textile, à corps creux, plastiques, caoutchoucs, etc. en vrac, simple et double emballage. <b>Ne pas dépasser la charge maximale préconisée</b>					<b>Cycles de contrôle</b> <b>Voir annexes 4, 5 &amp; 6</b>	
<b>Note :</b> Veuillez suivre les recommandations des fabricants respectifs.						

Tous les cycles ont le même profil. Seuls les temps de palier de stérilisation, de séchage et la température diffèrent.



Légende:

PV1..6 : Pulses de vide  
 DV : Séchage sous vide

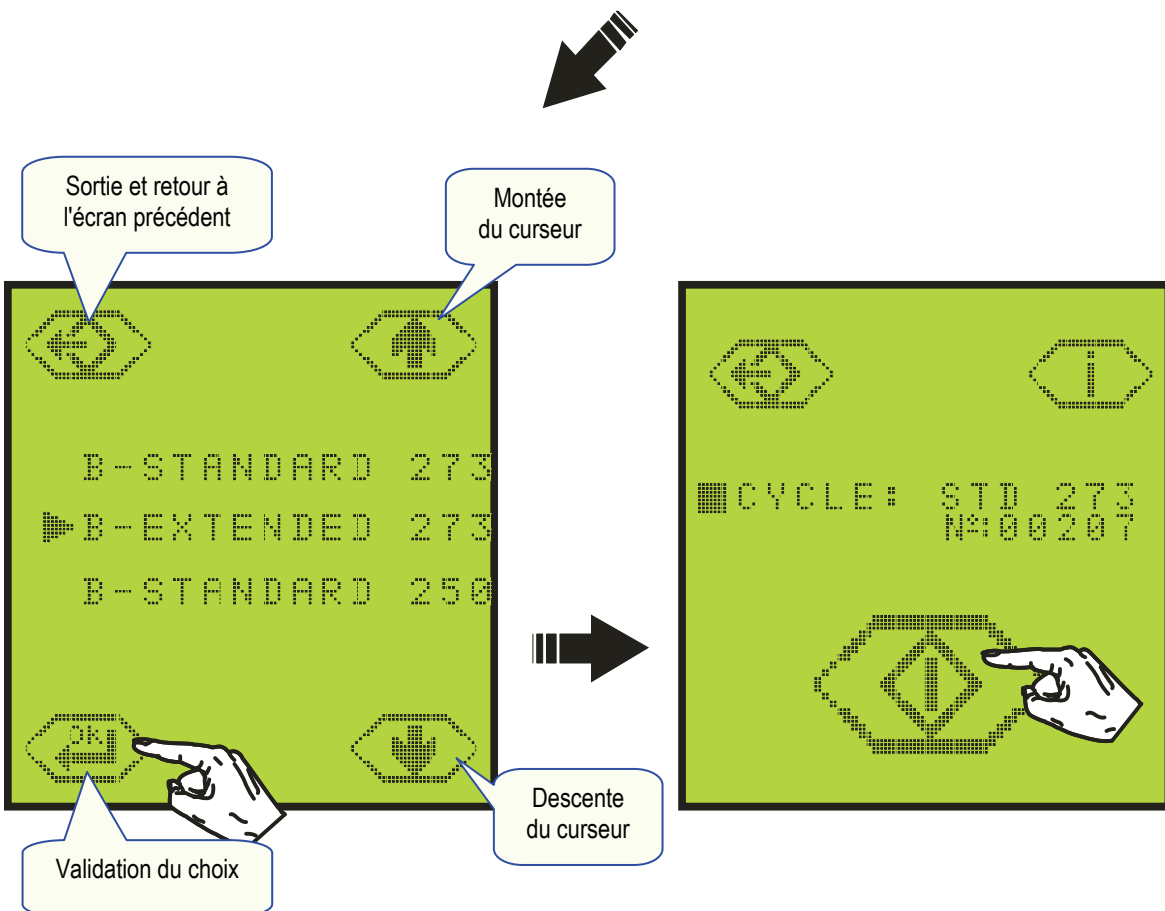
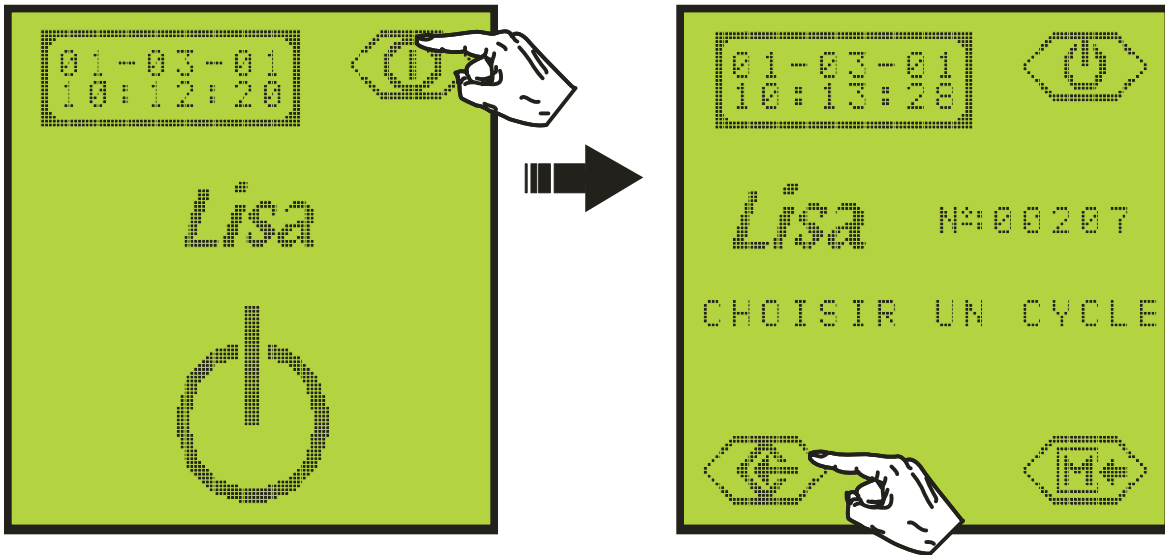
PP1..5 : Pulses de pression  
 VEN : Ventilation finale

PPh : Montée en pression  
 PR : Palier / plateau  
 LEV : Retour à pression atmosphérique

## 4.6.2 SELECTION - DEPART DU CYCLE

Sortir, si nécessaire, de l'écran de veille...

...Entrer dans le menu de sélection de cycle...



Placer le curseur en face du cycle souhaité, valider votre choix par la touche "Ok"...

...Démarrer le cycle.

### 4.6.3. DEROULEMENT DU CYCLE

Les informations suivantes sont affichées pendant le cycle :

Date  
Heure  
 Cycle sélectionné  
N° du cycle  
 Température  
Pression  
 Phase en cours  
Durée totale

Accès aux données techniques → § 4.8  
 Arrêt manuel → § 4.7

A tout moment, il est possible d'accéder aux paramètres techniques par la touche "Info" (voir §.4.8.).  
 En cas de nécessité, le cycle peut être interrompu en actionnant la touche "STOP" pendant 3 secondes.  
 Un signal sonore valide la demande et s'en suit une phase d'environ 2 minutes nécessaires à la réinitialisation de tous les composants et à ramener la cuve à la pression atmosphérique (voir § 4.7.).

### FIN DU CYCLE

Date  
Heure  
 Cycle sélectionné  
N° du cycle  
 Température  
Pression  
 Fin du cycle  
Durée du cycle

Résumé des données techniques → § 4.9  
 Cycle exécuté correctement  
 Ouverture de la porte

En fin de cycle, le processeur analyse tous les paramètres: températures, pressions et durées afin de confirmer la bonne exécution du cycle.

**Remarques :** En fin de cycle, tant que la porte reste verrouillée, la pompe à vide est actionnée 40 secondes toutes les 10 minutes afin de ventiler la chambre de stérilisation ainsi que la charge et d'éviter ainsi toute formation de condensation. Cette opération continue jusqu'à la température de la chambre est inférieure à 140°F.

Avant l'ouverture de la porte, la touche "INFO" donne accès au résumé des données Techniques du cycle (voir § 4.9.).

### 4.6.4. COPIES DU DERNIER CYCLE

En fin de cycle, avant l'ouverture de la porte, il est possible d'imprimer des copies du dernier cycle effectué.

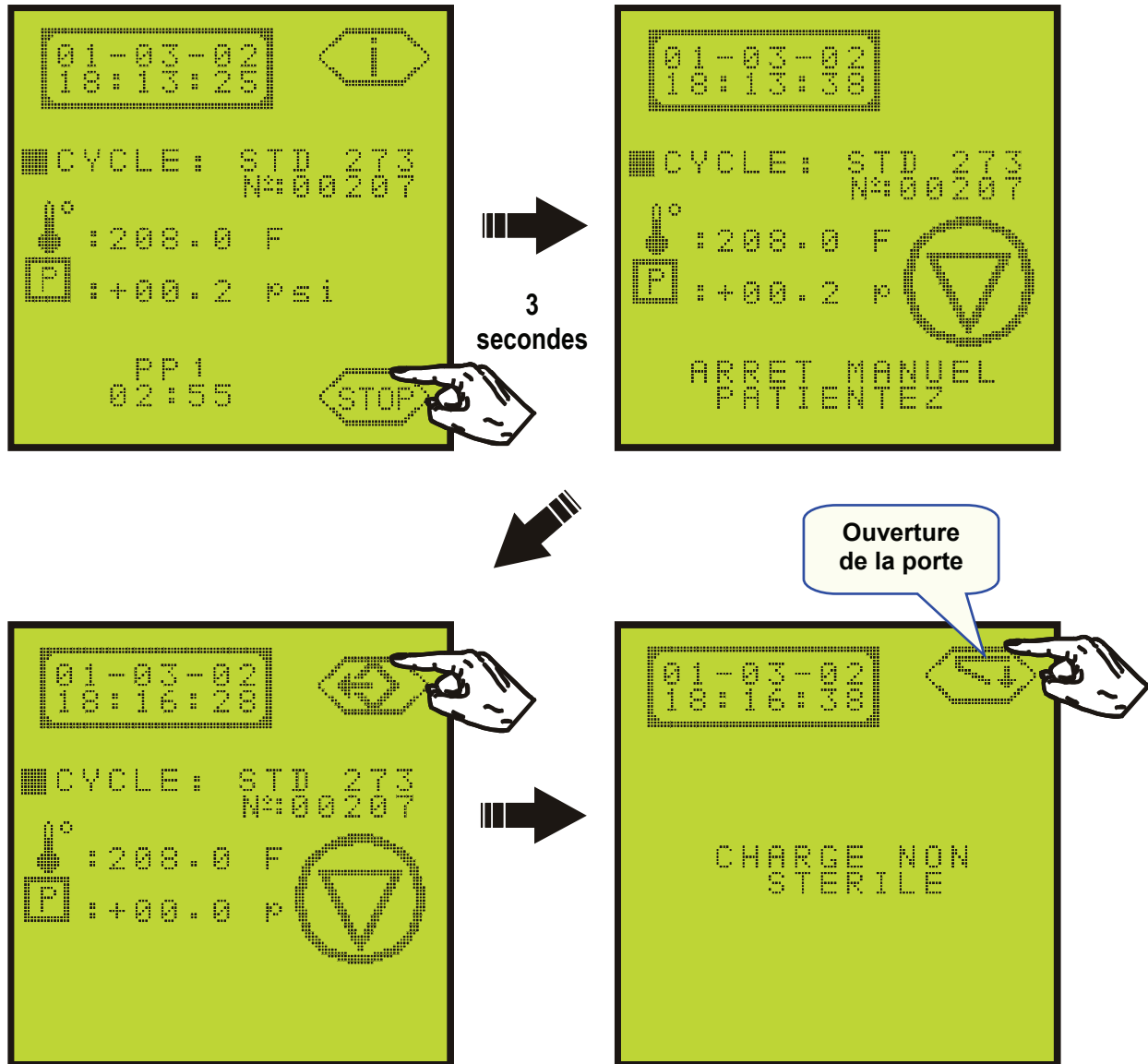
Retour à l'écran précédent sans imprimer  
 Incréméntation  
 IMPRESSIION  
 Décréméntation

Appuyer sur la touche ...

....Sélectionner le nombre de copies de 1 à 9,  
**Lancer l'impression avec la touche**

## 4.7 ARRET MANUEL

En cas de nécessité et à tout moment, le cycle peut être interrompu en actionnant la touche "STOP" pendant 3 secondes. Un signal sonore valide la demande.



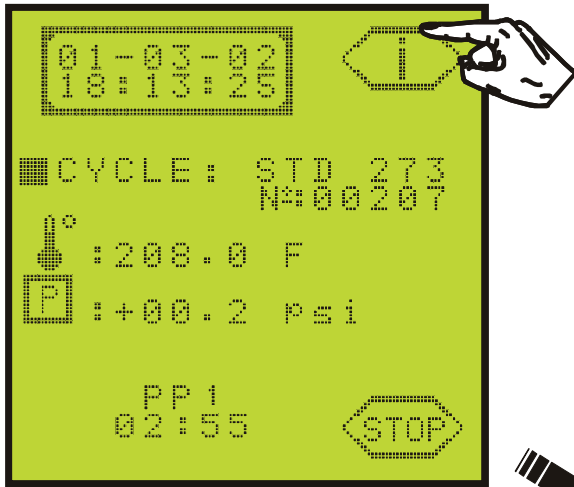
Une phase d'environ 2 minutes est nécessaire afin de réinitialiser tous les composants et de ramener la cuve à la pression atmosphérique. En fin de phase, les touches de sortie de menu et d'ouverture de porte apparaissent. L'ouverture de la porte est alors possible en actionnant les touches successivement.

**Si le cycle est interrompu après le palier de stérilisation PR (plateau), le message suivant est affiché et imprimé :**

**!! CHARGE STERILISEE, MAIS NON SECHEE !!**  
**!! POUR USAGE IMMEDIAT UNIQUEMENT !!**

#### 4.8. INFO DONNEES TECHNIQUES

A tout moment en cours de cycle, il est possible d'accéder aux données techniques par la touche "Info".



... Les données apparaissent à l'écran

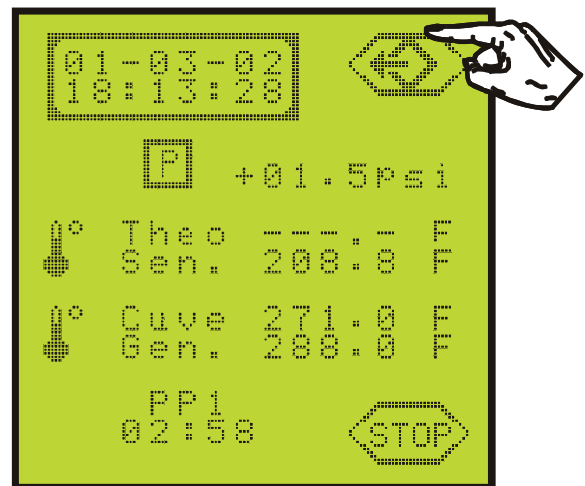
Date  
Heure

Pression chambre

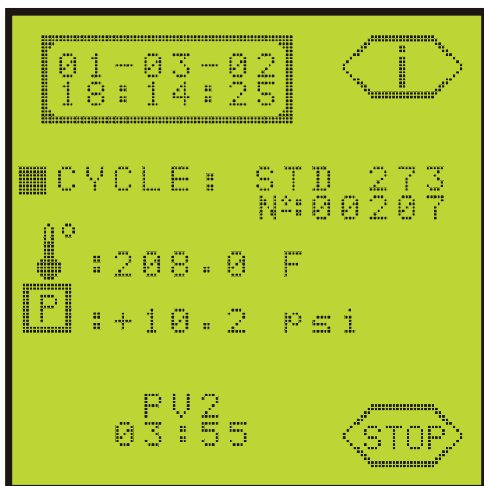
T° calculée/Pression  
T° vapeur

T° manteau chambre  
T° générateur vapeur

Phase du cycle  
Durée de la phase



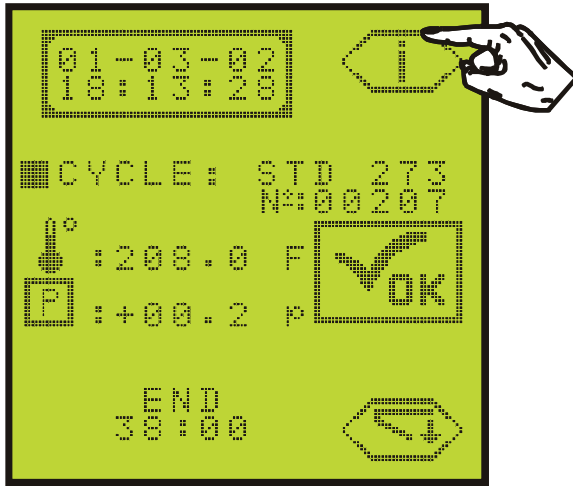
Theo = Température théorique  
Sen. = Température réelle lue  
Cuve = Température chauffage cuve  
Gen. = Générateur de vapeur



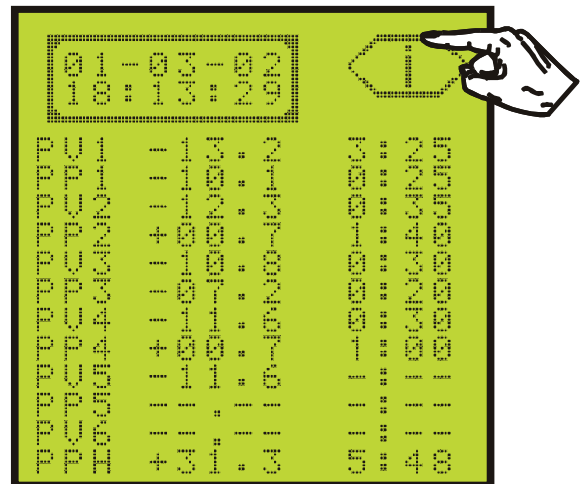
...Sortie et retour à l'écran du cycle en cours.

## 4.9. RESUME DONNEES TECHNIQUES (fin de cycle)

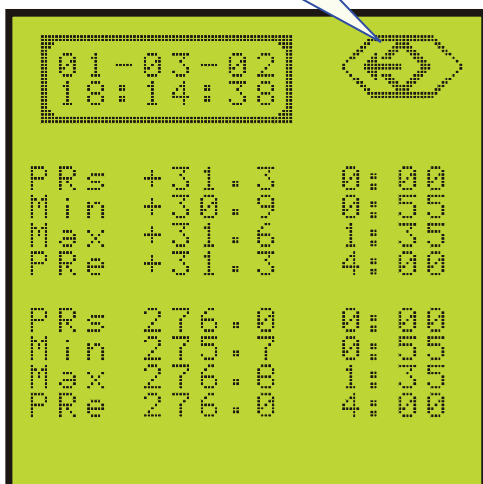
En fin de cycle et avant l'ouverture de la porte, la touche "Info" donne accès au résumé des données techniques du cycle écoulé.



Le premier écran indique la pression et la durée de toutes les phases.  
 PV = pulse de vide  
 PP = pulse de pression  
 PPh = pulse de pression et échauffement



Retour à l'écran de fin de cycle



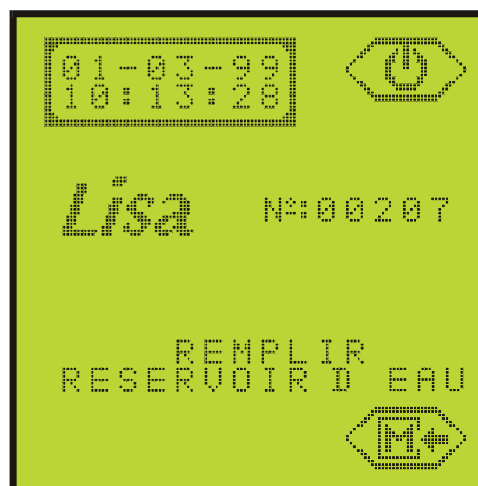
Une seconde action sur la touche "Info" donne accès aux données du palier de stérilisation :  
 Pressions mesurées : début / fin / Mini / Maxi,  
 Températures mesurées : début / fin / Mini / Maxi.  
 PRs = Procès début  
 PRe = Procès fin

## 5. MESSAGES

Un certain nombre de message peuvent apparaître en début ou en fin de cycle. Il s'agit d'une information et non d'une alarme. L'utilisateur peut continuer à se servir du stérilisateur en toute confiance.

En effet, le processeur analyse en permanence tous les paramètres du cycle et s'il devait y avoir la moindre incertitude quant à la qualité de la stérilisation, le cycle serait immédiatement interrompu (alarmes § 6.).

### Affichage des messages



### Liste des messages :

Message LCD	Signification	Action
REPLIR RESERVOIR D EAU	Le niveau d'eau minimum a été atteint dans le réservoir principal.	Faire l'appoint en utilisant de l'eau distillée ou déminéralisée comme décrit § 4.3.
RESERV. EAU USEE PLEIN -> VIDANGER	Le niveau maximum du réservoir d'eau usée a été atteint.	Vidanger comme décrit § 4.4.
FERMER LA PORTE	La porte est mal fermée.	Fermer la porte.
PB FERMETURE DE PORTE	La porte n'a pas été verrouillée.	Contrôler le joint de porte. A surveiller, → SAV pour contrôle préventif
ECART Ttheo/Tsen LORS DU PALIER <small>Ttheo = température théorique Tsen = température lue.</small>	La température réelle mesurée par la sonde située dans la cuve diffère de plus de 3.6°F par rapport à la température théorique calculée à partir de la pression.	La qualité de stérilisation est satisfaisante, car en début de cycle, le processeur évalue la qualité du prévide obtenu et arrête le cycle s'il est insuffisant. A surveiller. → Tél. SAV si le message persiste.
VARIATION DE T LORS DU PALIER	Variation de la température mesurée par la sonde située dans la cuve et/ou de la température théorique (déduite de la pression), supérieure à la tolérance (+/- 2.7°F) lors du palier de stérilisation.	La stérilisation est assurée car le processeur contrôle la T° minimale requise lors du palier de stérilisation et arrête le cycle si elle devait être inférieure. A surveiller. → Tél. SAV si le message persiste.



## 6. ALARMES

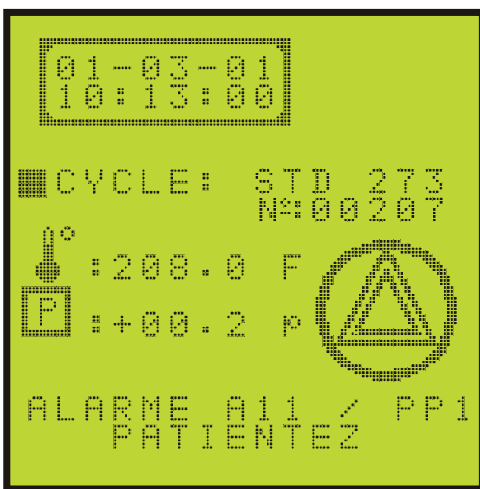
Le processeur analyse en permanence tous les paramètres du cycle. S'il y a le moindre doute quant à la qualité de la stérilisation, le cycle est immédiatement interrompu et une alarme apparaît. Il s'en suit une phase d'environ 2 minutes nécessaire à la réinitialisation des différents éléments du stérilisateur et à la mise à la pression atmosphérique de la cuve.

**La charge n'est pas stérile, le cycle doit être renouvelé (selon la gravité du problème).**

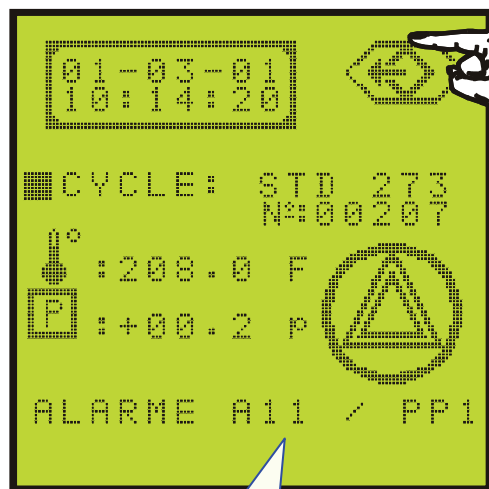
**Si le cycle est interrompu après le palier de stérilisation PR (plateau), le message suivant est affiché et imprimé :**

**!! CHARGE STERILISEE, MAIS NON SECHEE !!  
!! POUR USAGE IMMEDIAT UNIQUEMENT !!**

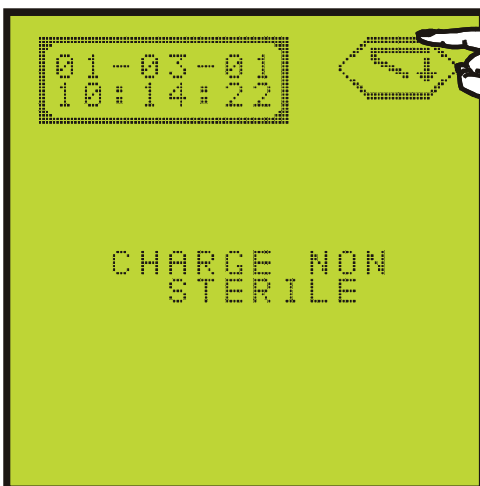
L'écran d'alarme apparaît...



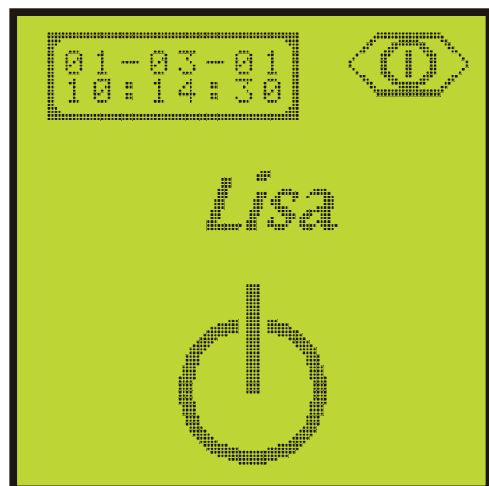
En fin de réinitialisation l'utilisateur doit confirmer la lecture de l'alarme, afin de pouvoir ouvrir la porte.



Code de l'alarme /  
phase interrompue  
voir tableau §6.1.



Ouverture de la porte...



...et mise en veille.

## 6.1 DESCRIPTION DES ALARMES

N°	Signification	Action
<b>Alimentation secteur</b>		
A01	Une coupure secteur ou une importante chute de tension est survenue pendant le cycle.	La charge ne peut être considérée comme stérile, il est indispensable de renouveler le cycle.
<b>Chambre de stérilisation</b>		
A10	Le temps de montée en pression jusqu'au palier de stérilisation est trop long (surcharge, fuites).	Nettoyer le joint de porte (§7.2), renouveler le cycle. Si le problème persiste → SAV.
A11	La température de la résistance de chauffe de la cuve est supérieure à la valeur nominale.	Renouveler le cycle. Si le problème persiste → SAV
A12	La température de la résistance de chauffe de la cuve est inférieure à la valeur nominale.	Renouveler le cycle. Si le problème persiste → SAV
A13	La pression mesurée dans la cuve est supérieure au seuil maximal.	Renouveler le cycle. Si le problème persiste → SAV
A14	La pression mesurée dans la cuve est inférieure au seuil minimal.	Renouveler le cycle. Si le problème persiste → SAV
A15	La température de la vapeur mesurée lors du palier est inférieure au seuil minimal.	Renouveler le cycle. Si le problème persiste → SAV
A16	La température de la vapeur mesurée lors du palier est supérieure au seuil maximal.	Renouveler le cycle. Si le problème persiste → SAV
A17	La sonde de température de la résistance de chauffe de la chambre est coupée ou déconnectée.	→ SAV
A18	La sonde de température interne de la chambre est coupée ou déconnectée.	→ SAV
<b>Générateur de vapeur</b>		
A21	La température du générateur de vapeur est supérieure au seuil maximal.	Renouveler le cycle. Si le problème persiste → SAV.
A22	La température de la résistance de chauffe du générateur est inférieure à la valeur nominale.	Renouveler le cycle. Si le problème persiste → SAV
A23	La sonde de température de la résistance de chauffe du générateur de vapeur est coupée ou déconnectée.	→ SAV

## DESCRIPTION DES ALARMES (suite)

N°	Signification	Action
<b>Pompe à vide</b>		
<b>A31</b>	Pendant une phase de vide, la pression ne descend pas sous -2.9 psi.	Nettoyer et vérifier l'état du joint de porte (§ 7.2.), renouveler le cycle. Si le problème persiste Tél. → SAV
<b>A32</b>	Pendant une phase de vide, la pression ne descend pas sous -7.3 psi.	Nettoyer et vérifier l'état du joint de porte (§ 7.2.), renouveler le cycle. Si le problème persiste Tél. → SAV.
<b>A33</b>	Le niveau de vide après 5 pulses est insuffisant, et la valeur calculée du 6 <sup>ème</sup> pulse complémentaire est impossible à obtenir (hors limites).	Nettoyer le joint de porte (§ 7.2.), renouveler le cycle. Si le problème persiste Tél. → SAV.
<b>A34</b>	Les 10 derniers cycles ont tous nécessité un 6 <sup>ème</sup> pulse de vide complémentaire.	La stérilisation est assurée, car le complément de niveau de vide est obtenu par le 6 <sup>ème</sup> pulse. Nettoyer le joint de porte. → Tél. SAV si le problème persiste.
<b>Fermeture de porte</b>		
<b>A52</b>	1) Le système de verrouillage de porte s'est bloqué lors des phases de fermeture ou d'ouverture. 2) Le contact de verrouillage de la porte s'est ouvert durant le cycle.	Tél. → SAV
<b>Electrovannes</b>		
<b>A63</b>	2 min. après la fin d'une phase de vide, la pression n'est pas supérieure à -0,15 psi.	Tél. → SAV

**ATTENTION:** Si une alarme quelconque surgit avant la fin de la phase de stérilisation, la charge n'est pas stérile et le cycle doit être relancé.

## 7. ENTRETIEN PAR L'UTILISATEUR

Il faut distinguer deux types d'entretiens, celui effectué régulièrement par l'utilisateur et la maintenance préventive par le service technique agréé A-dec / W&H.

Avant toute intervention sur l'appareil, veuillez débrancher le cordon secteur.

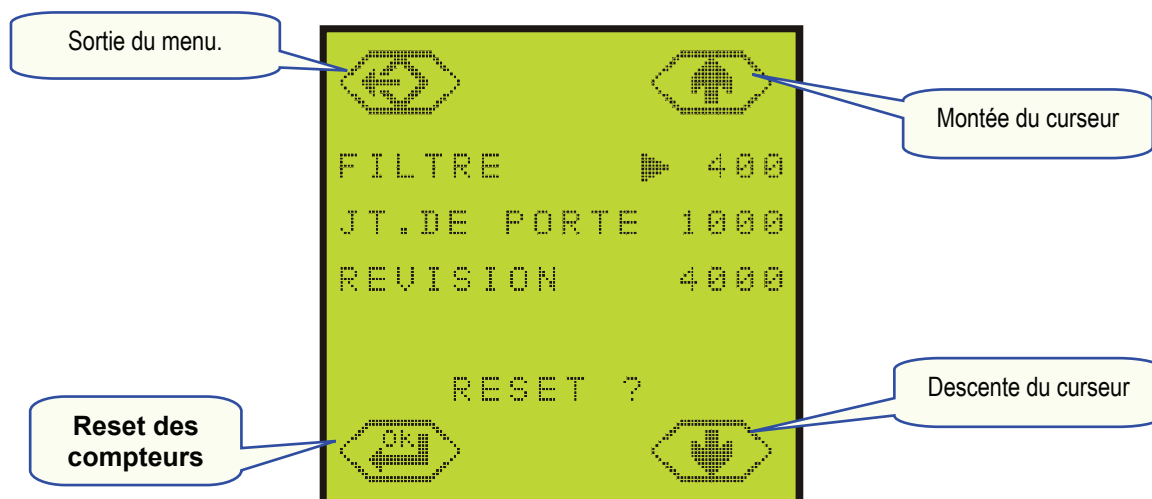
### 7.1. PROGRAMME DE L'ENTRETIEN

Périodicité /	Nombre de cycles	Opération	Référence	Description
Hebdomadaire	-	Nettoyage du joint de porte.	-	§ 7.2
		Nettoyage de la cuve, des plateaux et du support.	-	§ 7.3
		Nettoyage des surfaces externes.	-	§ 7.4
-	<b>400</b>	Remplacement du filtre.	54.0067.00	§ 7.5
-	<b>1,000</b>	Remplacement du joint de porte.	54.0014.00	§ 7.6
-	<b>4,000</b>	Service chez un distributeur A-dec W&H autorisé.	-	§ 8

Aucun outillage n'est nécessaire pour effectuer ces opérations.

Cet écran indique le nombre de cycles restants à effectuer avant le remplacement du filtre et du joint de porte ainsi que la révision (§4.5.7.). Les 3 compteurs sont décrémentés à chaque cycle.

Lorsqu'un compteur arrive à 0, un message apparaît au bas de l'écran de sélection. La lecture du message doit être confirmée par la touche "Ok". Le compteur est automatiquement réinitialisé. Si l'opération est effectuée avant la fin du décompte, il est nécessaire de réinitialiser le compteur manuellement en plaçant le curseur en face de l'opération qui vient d'être effectuée et valider par la touche "Ok".



## 7.2. NETTOYAGE DU JOINT DE PORTE

Nettoyer le joint de porte et le hublot avec un chiffon non pelucheux imbibé d'alcool.

## 7.3. NETTOYAGE DE LA CHAMBRE, DES PLATEAUX ET DU SUPPORT

- Sortir les plateaux de la cuve.
- Déconnecter le support plateau par une traction axiale et le retirer.
- Nettoyer la cuve avec une éponge humide imbibée d'un produit détergent ou récurant si nécessaire.
- Rincer avec une éponge humide afin d'éliminer toute trace de produit.
- Agir de la même manière pour le support plateau, les plateaux et cassettes.

**NOTE :** Veiller à bien nettoyer toute la périphérie de la chambre de stérilisation. Eviter de déformer ou d'endommager les capteurs de température se trouvant au fond de la cuve.  
**Ne jamais utiliser de produits désinfectants pour le nettoyage de la cuve.**

## 7.4. NETTOYAGE DES PARTIES EXTERNES

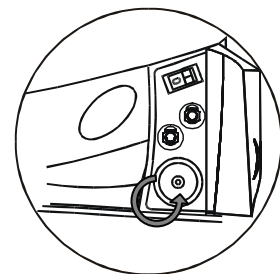
Nettoyer les parties externes en utilisant un chiffon humide et un produit détergent neutre.

Ne jamais utiliser de produits récurants ou trop agressifs.

**NOTE :** Ne pas laver l'appareil à grandes eaux, les infiltrations pourraient provoquer des dommages sur les composants électriques et sur les dispositifs de sécurité. Veiller à ne pas rayer le film plastique se trouvant devant l'écran tactile.

## 7.5. REMPLACEMENT DU FILTRE

1. Ouvrir la trappe technique.
2. Dévisser à la main le filtre (sens anti-horaire).
3. Insérer et visser à la main le nouveau filtre.

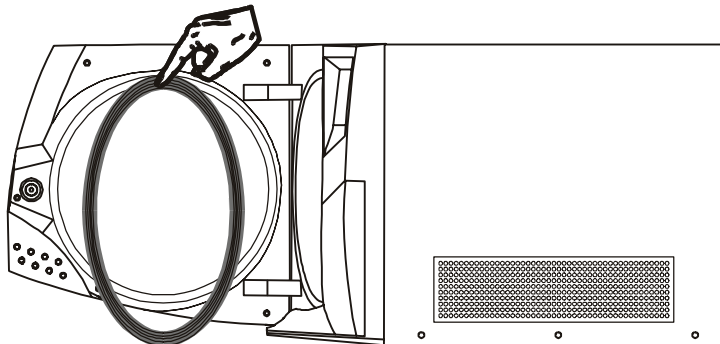


## 7.6. REMPLACEMENT DU JOINT DE PORTE

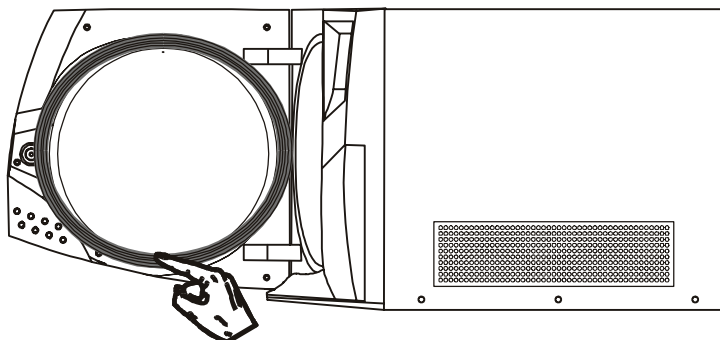
1. Ouvrir complètement la porte du stérilisateur.
2. Extraire le joint de porte à la main.
3. Nettoyer soigneusement le logement du joint avec un coton tige imbibé d'alcool Isopropyl.
4. Humidifier le nouveau joint.
5. Insérer le joint en respectant l'ordre des dessins ci-dessous :

Insérer complètement le joint en commençant par les 4 points cardinaux,

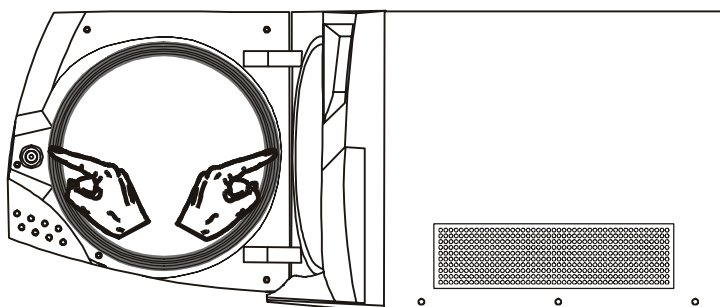
**Nord...**



**Sud...**



**Est et Ouest.**



## 8. ENTRETIEN PAR LE SERVICE TECHNIQUE AGREE

Un entretien complet est indispensable pour assurer un fonctionnement et une stérilisation efficaces.

Nous préconisons d'effectuer un contrôle soit tous les 3 ans ou tous les 4000 cycles par un technicien agréé.

Liste des contrôles à effectuer :

- Remplacement des 5 électrovannes
- Remplacement du kit membrane de la pompe à vide.
- Remplacement du filtre à eau.
- Remplacement de la résistance de chauffe du générateur de vapeur.
- Nettoyage de la cuve de stérilisation.
- Nettoyage du filtre cuve.
- Nettoyage du filtre de vidange du générateur de vapeur.
- Contrôle des connexions pneumatiques.
- Contrôle des connexions électriques.
- Contrôle et calibrage de la pression et de la température.
- Contrôle du système de fermeture de la porte.
- Contrôle des 2 soupapes de surpression
- Contrôle des dispositifs de sécurité.
- Divers.

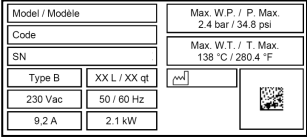
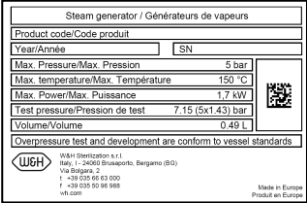
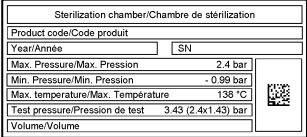
## 9. GUIDE DE DEPANNAGE

La liste des problèmes est limitée car la majorité des anomalies et incidents est couverte par les messages et les alarmes.

PROBLEMES	CAUSES POSSIBLES	SOLUTIONS
L'autoclave ne s'allume pas	<ul style="list-style-type: none"> <li>▪ L'interrupteur général ou le disjoncteur du réseau sont ouverts (OFF).</li> <li>▪ Pas de tension sur la prise de courant.</li> <li>▪ Le cordon secteur est mal connecté.</li> </ul>	<ul style="list-style-type: none"> <li>▪ Actionner l'interrupteur général ou le disjoncteur du réseau (ON).</li> <li>▪ Vérifier le circuit électrique.</li> <li>▪ Brancher le cordon.</li> </ul>
Fuites d'eau à l'avant de l'appareil.	<ul style="list-style-type: none"> <li>▪ Fuites au niveau du joint de porte.</li> <li>▪ Tuyau percé ou déconnecté.</li> </ul>	<ul style="list-style-type: none"> <li>▪ Nettoyer le joint de porte (§ 7.2).</li> <li>▪ Contacter le service technique agréé.</li> </ul>
Il reste de l'eau à l'intérieur de la cuve. Le stérilisateur ne sèche pas.	<ul style="list-style-type: none"> <li>▪ La cuve n'est pas assez inclinée.</li> <li>▪ Cuve surchargée.</li> <li>▪ Objets mal positionnés</li> </ul>	<ul style="list-style-type: none"> <li>▪ Le stérilisateur doit être installé sur une surface plane et de niveau.</li> <li>▪ Respecter la masse maximale par type de charge (§ 4.6.1).</li> <li>▪ Suivre les recommandations de l'annexe 2.</li> </ul>
Humidité sur les instruments ou dans les sachets.	<ul style="list-style-type: none"> <li>▪ Cuve surchargée.</li> <li>▪ Objets mal positionnés.</li> </ul>	<ul style="list-style-type: none"> <li>▪ Respecter la masse maximale par type de charge (§ 4.6.1).</li> <li>▪ Suivre les recommandations de l'annexe 2.</li> </ul>
Oxydation ou taches sur les instruments.	<ul style="list-style-type: none"> <li>▪ Utilisation d'eau de mauvaise qualité ou comportant des substances chimiques.</li> <li>▪ Reliquats organiques ou chimiques sur les instruments.</li> <li>▪ Contacts entre différents matériaux.</li> <li>▪ Dépôts calcaires sur les parois de la cuve.</li> </ul>	<ul style="list-style-type: none"> <li>▪ Vidanger les 2 réservoirs (§ 4.2 / 4.3 / 4.4). Utiliser une eau conforme à l'annexe 6.</li> <li>▪ Nettoyer et rincer à l'eau déminéralisée tous les instruments (Annexe 2). Oter toute trace de produits désinfectants.</li> <li>▪ Intercaler des tissus.</li> <li>▪ Nettoyer la cuve.</li> </ul>
Brunissage ou noircissement des instruments.	<ul style="list-style-type: none"> <li>▪ Sélection d'une température erronée.</li> </ul>	<ul style="list-style-type: none"> <li>▪ Consulter le tableau du § 4.6.1.</li> <li>▪ Suivre les recommandations du fabricant.</li> </ul>



## Annexe 1 CARACTERISTIQUES TECHNIQUES

<p><b>Alimentation électrique</b></p> <p><b>Stérilisateur :</b></p> <p>Température d'utilisation / Humidité  Température d'utilisation / Humidité  Pression atmosphérique minimale  Tension nominale :  Puissance absorbée maxi :  Intensité maximale :  Dimensions hors tout :  Encombrement hors tout :  Encombrement du mouvement de la porte :  Masse à vide :  Poids maxi en cycle (pleine charge) :  Emission de chaleur maximale :  Niveau sonore moyen / maxi :</p>	<p>Monophasé 230/240 VCA ±10% – 50/60Hz – 2100 W</p> <p>Plaque signalétique située à l'arrière  50°F- 104°F / 0-90%.  -4°F- 140°F / 0-90% (Vide)  7.3 psi  230/240 VAC  2100 W  10.3 A  <b>W : 18 in / H : 16 in / D : 24 ½ in</b>  <b>W : 19 in / H : 18 in / D : 26 ½ in</b>  <b>W : 14 in/ H : 16 in / D : 14 in</b>  125 lbs  155 lbs  2846 BtU/hr  &lt; 50db</p> 
<p><b>Générateur de vapeur</b></p> <p>Puissance / Tension  Pression maxi / Température maxi  Soupape de surpression</p>	<p>Plaque du générateur de vapeur :  1700 W  58 psi / 302°F  73 psi</p> 
<p><b>Chambre de stérilisation</b></p> <p>Puissance chauffage / Tension  Pression / Température maxi  Soupape de surpression  Volume total  Volume utile (idem pour tous les cycles)  Filtre</p>	<p>Plaque de la cuve de stérilisation :  1000 W  35PSI / 280°F  35 PSI  23 qts Dia. 9.8 in / Prof. 17 ½ in  17 qts L : 7.7 in / H : 8.1 in / P : :15 ¾ in  0.3 µm</p> 
<p><b>Eau distillée ou déminéralisée :</b></p> <p>Qualité de l'eau  Consommation mini / maxi par cycle  Double réservoir / Autonomie</p>	<p>Conforme à l'annexe 5  0,2 L / 0,35 L (pleine charge textile)  Minimum 8 cycles (pleine charge poreuse)</p>
<p><b>Connexions</b></p>	<p>Port parallèle imprimante</p>
<p><b>Divers</b></p>	<p>Entièrement piloté par microprocesseur / écran tactile  Mise en veille programmable</p>

## Annexe 2 PREPARATION AVANT LA STERILISATION

### 1. Nettoyage des instruments

Les instruments à stériliser doivent être propres, dépourvus de tous résidus tels que fragments, dentine, sang, etc. Ces substances peuvent causer des dommages aux objets se trouvant sur les plateaux, voire une défaillance du stérilisateur.

- Nettoyer les instruments immédiatement après usage. Pour l'utilisation d'un bac à ultrasons, veuillez suivre les recommandations du fabricant.
- Débarrasser l'objet de tout reliquat de produit désinfectant pouvant devenir corrosif à chaud, en rinçant abondamment, puis sécher.
- Lubrifier selon les recommandations du fabricant.

### 2. Préparation des plateaux

- Respecter pour chaque programme, la masse maximale de la charge qui a été fixée, testée et validée par le fabricant et pour laquelle une stérilisation parfaite est garantie.
- Utiliser toujours le support plateaux pour une bonne circulation de la vapeur entre les plateaux.
- Ne pas surcharger les plateaux pour une meilleure stérilisation et un séchage parfait.
- Placer les cassettes verticalement (si possible) pour un meilleur séchage.
- Espacer les objets pour une bonne circulation de la vapeur.
- Les récipients vides ou plateaux non perforés doivent être retournés, afin d'éviter une accumulation d'eau.
- Les objets de matériaux différents (acier inoxydable, carbone, etc.) doivent être séparés sur des plateaux différents.
- Pour les objets en acier carbone, intercaler une serviette de papier entre le plateau et l'instrument.
- Stériliser les instruments tels que pinces et daviers en position ouverte.
- Pour les objets emballés, employer un emballage poreux favorisant une bonne pénétration de la vapeur et également un bon séchage (par exemple : sachet Nylon/papier pour autoclave).

#### Tubes

- Après nettoyage, rincer et purger.
- Placer les tubes sur le plateau de façon à ce que les extrémités demeurent ouvertes, en évitant de les plier.

#### Paquets

- Placer les paquets verticalement et espacés, en évitant qu'ils n'entrent en contact avec les parois de la chambre de stérilisation.

#### Matériaux emballés

- Il est conseillé de disposer et d'espacer les sachets sur les plateaux perforés en plaçant le côté en papier vers le haut.

## Annexe 3 CONTROLE DE LA STERILISATION

### • Indicateurs biologiques

Les indicateurs biologiques (BIs) sont des méthodes entre les plus acceptées pour le contrôle de la stérilisation parce qu'ils certifient le processus en tuant directement les microorganismes les plus résistants. Placer les indicateurs biologiques dans des charges emballées dans des conteneurs (cassettes placées sur le plateau inférieur ou en tout cas le plus près possible de la porte). Suivre les recommandations locales/nationales sur la fréquence et la procédure du test. Si le résultat du test est positif (un nombre non suffisant de microorganismes a été tué durant le processus de stérilisation) consulter les indications locales/nationales qui ont été développées dans l'éventualité d'un test positif.

### • Indicateurs chimiques

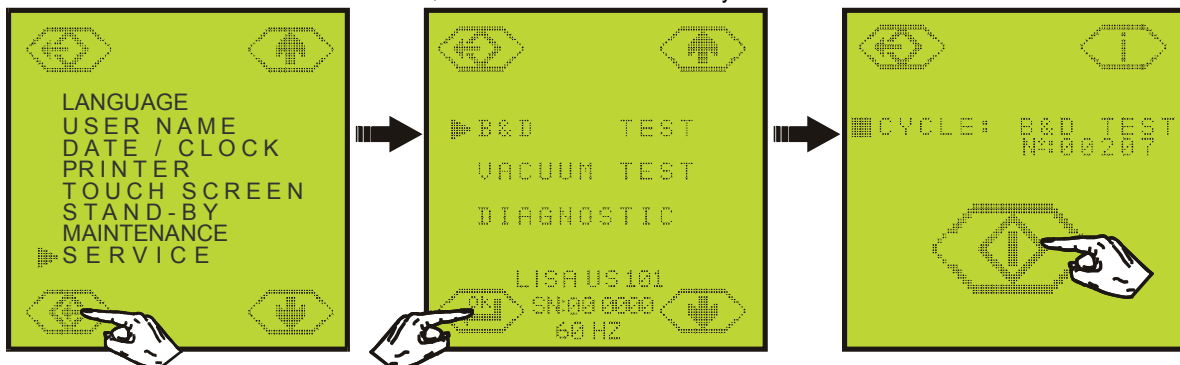
Les indicateurs chimiques, internes ou externes, utilisent des produits chimiques pour certifier les conditions physiques qui ont été atteintes durant la stérilisation (par exemple temps ou température). Placer les indicateurs chimiques sur (externes) ou dans (internes) les charges emballées et dans des conteneurs (par exemples cassettes). Si uniquement un set d'indicateurs est utilisé pour une charge spécifique, placer la charge avec le/les indicateur/s sur le plateau inférieur ou en tout cas le plus près de la porte). Suivre les recommandations locales/nationales sur la fréquence et la procédure du test. Si le résultat du test est négatif, la charge ne doit pas être utilisée avant une seconde stérilisation.

### • Test Bowie & Dick

Le test Bowie & Dick (B&D) est fabriqué avec plusieurs feuilles de papier et/ou mousse emballés dans un petit paquet au milieu duquel se trouve une feuille imprégnée d'un produit chimique sensible à la chaleur. Le test Bowie & Dick détecte les fuites d'air, les mauvaises pénétrations de vapeur ou les aspirations d'air non efficaces sur les stérilisateur à vapeur avec aspiration d'air.

Procédure du test :

- Placer le test Bowie & Dick (le paquet complet) sur le plateau inférieur ou en tout cas le plus près possible de la porte
- Accéder au menu "SERVICE", sélectionner et démarrer le cycle B&D.



- Quand le cycle est terminé, ouvrir la porte du stérilisateur et enlever le paquet ; attention : la paquet peut être extrêmement chaud !
- Enlever l'indicateur du centre du paquet et vérifier qu'il ait changé de couleur correctement :

#### Test OK:

La surface entière du papier a changé de couleur.



#### Test échoué

Certaines parties de la surface n'ont pas changé de couleur.



Tout changement de couleur inattendu, par exemple le centre du test pâle ou d'une couleur différente par rapport aux bords, est symptôme de présence de bulles d'air durant le processus de stérilisation. Suivre les recommandations locales/nationales sur la fréquence et la procédure du test.

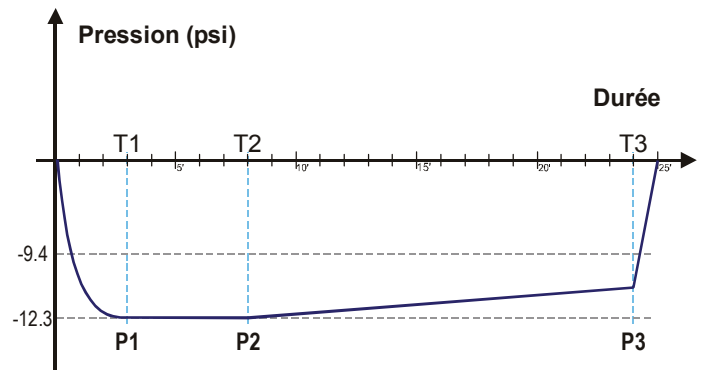
## Annexe 4 TEST POMPE A VIDE

Ce test valide les performances de l'appareil quant à l'étanchéité au vide à savoir :

- ✓ L'efficacité de la pompe à vide.
- ✓ L'étanchéité du circuit pneumatique.

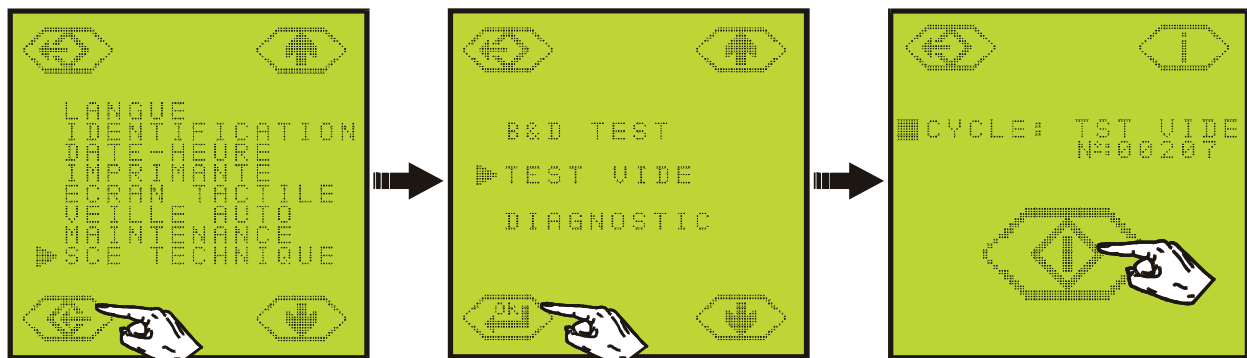
Le profil du cycle est spécifique au test :

- Une phase de vide jusqu'à  $P1 = -12.3$  psi.
- Une pause de 5 min.  $\Rightarrow$  T2. Lecture de P2.
- Une pause de 16 min.  $\Rightarrow$  T3. Lecture de P3.



Pour effectuer le test, procéder de la manière suivante :

- Sélectionner et démarrer le cycle **TEST VIDE** dans le sous menu "**SCE TECHNIQUE**".



Français

- Le processeur effectue le calcul suivant  $P3 - P2$ . Le résultat doit être inférieur à 0,29 psi \*.
- Un commentaire négatif est affiché en cas de problème en fin de cycle.


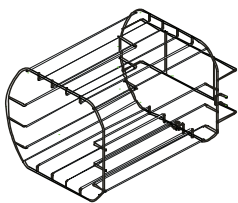
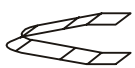
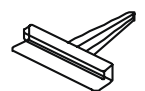
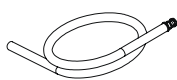
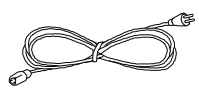




**\*NOTE:** En accord avec la norme EN13060, un capteur de pression indépendant avec une précision de 1 mbar (0.001bar) peut être connecté pour mesurer que  $P3-P2$  soit inférieur à 13 mbar (0.013bar). Le capteur de pression de Lisa a une précision de 10 mbar (0.01 bar) ce qui fait que, selon ce qui est écrit au-dessus, nous considérons  $P3-P2 < 20$  mbar (0.02bar = 0.29psi).

## Annexe 5 QUALITE DE L'EAU

Tableau relatif à la qualité de l'eau à utiliser pour la stérilisation à la vapeur d'eau extrait de la nouvelle norme Européenne (EN 13060 )

Grandeur	Niveau
Résidus d'évaporation	$\leq 10$ mg/l
Silice, Si O <sub>2</sub>	$\leq 1$ mg/l
Fer	$\leq 0,2$ mg/l
Cadmium	$\leq 0,005$ mg/l
Plomb	$\leq 0,05$ mg/l
Traces de métaux lourds, sauf fer, cadmium, plomb	$\leq 0,1$ mg/l
Chlorure	$\leq 2$ mg/l
Phosphate	$\leq 0,5$ mg/l
Conductivité (à 20 °C)	$\leq 15$ $\mu$ s/cm
Valeur de pH	5 à 7
Aspect	Incolore, propre, sans sédiment
Dureté	$< 0,02$ mmol/l

## Annexe 6 ACCESSOIRES

Désignation		Référence
Plateau aluminium anodisé 18,5 x 28,5		54.0019.00
support plateau		54.0018.00
Clé porte cassette		54.0016.00
Clé porte plateau		54.0017.00
Tuyau de vidange + raccord rapide		54.0029.00
Cordon secteur		54.0046.00
Entonnoir		54.0024.00
Filtre.		54.0067.00
Joint de porte		54.0014.00
Lisa Log64		54.0353.00

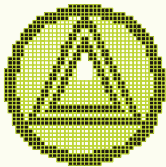
## Annexe 7 SYMBOLES



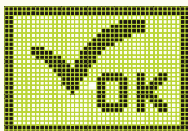
Ce symbole est apposé sur la façade de l'appareil sous la poignée.  
Il recommande une attention toute particulière aux températures élevées de la cuve, de la porte et autour de la poignée.



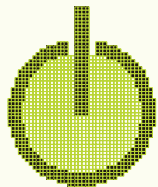
Ce symbole recommande une lecture attentive du manuel d'utilisation.



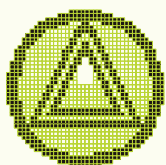
Arrêt manuel, veuillez patienter.



Cycle exécuté correctement



Mode veille : Stand-by



Alarme, voir "description des alarmes"

## Annexe 8 GARANTIE

SEULEMENT POUR LISA MB 22

<h3 style="margin: 0;">A-dec/W&amp;H Warranty</h3> <p>Highly qualified specialists have manufactured this A-dec/W&amp;H product with extreme care. A wide variety of tests and inspections guarantee fault-free operation.</p> <p>A-dec/W&amp;H warrants this product against defects in material or workmanship for one year from the time of purchase. A-dec's sole obligation under warranty is to provide parts for the repair, or at its option, to provide replacement product.</p> <p>The warranty does not cover damage resulting from improper installation, maintenance, accident, or misuse.</p> <p>Failure to follow the instructions in the <i>Owner's Guide</i> may void the warranty.</p> <p>We accept no responsibility for damage caused by improper handling or inadequate packaging during return of goods.</p>	<div style="border: 1px solid black; padding: 5px; margin-bottom: 5px;">LISA MB 22 SN 00-0XXX</div> <div style="border: 1px solid black; padding: 5px; margin-bottom: 5px;"> <h3 style="margin: 0;">1 Year Warranty or 1,000 cycles</h3> <p style="margin: 0;">(see note)</p> </div> <div style="border: 1px solid black; padding: 5px; margin-bottom: 5px;">Purchase date:</div> <div style="border: 1px solid black; padding: 5px; margin-bottom: 5px;">Supply depot:</div> <div style="border: 1px solid black; padding: 5px;">Practice/Clinic/Laboratory address:</div>
--	---

Français

**NOTE: Extension de garantie**

Cette garantie peut être portée à 2 ans ou 2,000 cycles si la « Installation check list » A-dec/W&H LISA est dûment remplie et retournée par e-mail ou fax à l'adresse stipulée sur la check list.



## Annexe 9 LISTE DE CONTROLE D'INSTALLATION A-dec|W&H

- |    |  |     |     |
|----|--|-----|-----|
| 1  | La surface choisi pour le Lisa, est-elle plate ?   | Oui | Non |
| 2  | Y à-t-il l'espace recommandée pour la ventilation dans l'endroit choisi pour le Lisa ?   | Oui | Non |
| 3  | L'emballage du Lisa était-il intact ?  | Oui | Non |
| 4  | Une fois déballé, le Lisa semblait-il intact ?   | Oui | Non |
| 5  | Est-ce que tous les accessoires sont arrivés avec le Lisa ?  | Oui | Non |
| 6  | Tout votre personnel était présent pendant l'installation du Lisa ?  | Oui | Non |
| 7  | Toutes les sections du manuel d'instructions ont été vues avant l'installation ?   | Oui | Non |
| 8  | Un cycle B-Standard 134 a été effectué avec le support plateau et plateaux à l'intérieur selon le manuel d'instructions ? (Ce cycle démontre chaque étape pour l'installation du Lisa) | Oui | Non |
| 9  | Savez-vous quelle qualité d'eau est nécessaire pour l'utilisation du Lisa ?  | Oui | Non |
| 10 | Avez-vous vu comment remplir et vider les réservoirs d'eau ?   | Oui | Non |
| 11 | Avez-vous vu comment programmer votre nouveau Lisa ?   | Oui | Non |
| 12 | Avez-vous vu les différentes sélections de cycle ?   | Oui | Non |
| 13 | Avez-vous vu ce que veulent dire tous les messages et alarmes ?  | Oui | Non |
| 14 | Avez-vous vu comment annuler un cycle manuellement ?   | Oui | Non |
| 15 | Connaissez vous les procédures d'entretien à être effectuées chaque semaine ?  | Oui | Non |
| 16 | Avez-vous vu comment utiliser tous les accessoires ?   | Oui | Non |
| 17 | Avez-vous vu les avantages d'avoir une imprimante pour votre nouveau Lisa ?  | Oui | Non |

Numéro de série : \_\_\_\_\_

Date : \_\_\_\_\_ Lisa acheté à : \_\_\_\_\_ Installation par : \_\_\_\_\_

Docteur/ nom du cabinet : \_\_\_\_\_

Adresse : \_\_\_\_\_

Téléphone : \_\_\_\_\_

Signature du client : \_\_\_\_\_ Signature de l'installateur : \_\_\_\_\_

Ayant complété ce liste de vérification envoyez un fax à :

**A-dec/W&H**

**Fax: 503/538-0276**

- ou bien -

Faites un copie et envoyez cette liste par poste à :

**A-dec/W&H**

**LISA Sterilizer Warranty**

**2601 Crestview Drive**

**Newberg, Oregon, 97132**