

*Owner's Guide*

***CASCADE<sup>®</sup> 7284***

***AND***

***RADIUS<sup>®</sup> 7285***

***CUSPIDOR***



85.2609.00



---

Warranty:

A-dec warrants all products in this owner's guide against defects in material or workmanship for one year from time of delivery. A-dec's sole obligation under the warranty is to provide parts for the repair, or at its option, to provide the replacement product (excluding labor). The buyer shall have no other remedy. All special, incidental, and coincidental damages are excluded. Written notice of breach of warranty must be given to A-dec within the warranty period. The warranty does not cover damage resulting from improper installation or maintenance, accident or misuse. The warranty does not cover damage resulting from the use of cleaning, disinfecting or sterilization chemicals and processes. The warranty also does not cover light bulbs. Failure to follow instructions provided in the A-dec owner's guide (operation and maintenance instructions) may void the warranty. A-dec warrants A-dec dental chair cylinders, both lift and tilt, for ten years from the date of purchase of the chair or the cylinder. This warranty is retroactive to A-dec chair cylinders already in the field. The warranty covers chair cylinders A-dec finds to have manufacturing related irregularities. Stool cylinders are covered under A-dec's one-year warranty.

NO OTHER WARRANTIES AS TO MERCHANTABILITY OR OTHERWISE ARE MADE.



---

All product names used in this document are trademarks or registered trademarks of their respective holders.

---

Printed in U.S.A. • Copyright © 2011 • All Rights Reserved

---

*Cascade 7284 and Radius 7285 Cuspidor*



Cascade 7284 Cuspidor



Radius 7285 Cuspidor

*Serial number location, service information, and warranty information are located on the inside of the front cover and front page.*

# CONTENTS

- About Your Cuspidor ..... 2
- Cuspidor Controls ..... 3
- Touch Pad (optional) ..... 4
- Master On/Off Toggle ..... 4
- Cuspidor Limit Switch ..... 5
- Gravity Drain Cleaning ..... 5
- Cleaning the Cuspidor ..... 6
- Care Instructions ..... 7
- Bowl Rinse Adjustment ..... 7
  - Bowl Rinse Flow Adjustment ..... 7
  - Bowl Rinse Time Adjustment ..... 8
- Cup Fill Adjustment ..... 9
- Utility Controls ..... 10
- Maintenance ..... 10
- Adjustments and Specifications ..... 11
- Regulatory Information ..... 11

## About Your Cuspidor

The cuspidor is equipped with a timer for the bowl rinse. This timer can be adjusted to increase or decrease the length of time water flows into the bowl.

The cuspidor comes standard with an automatically timed cup fill.

On most units, the cuspidor on/off function is controlled by the master on/off toggle on the Cascade control head. For cuspidor only units, the cuspidor on/off function is controlled by the on/off toggle on the post box (Cascade 7284 only).

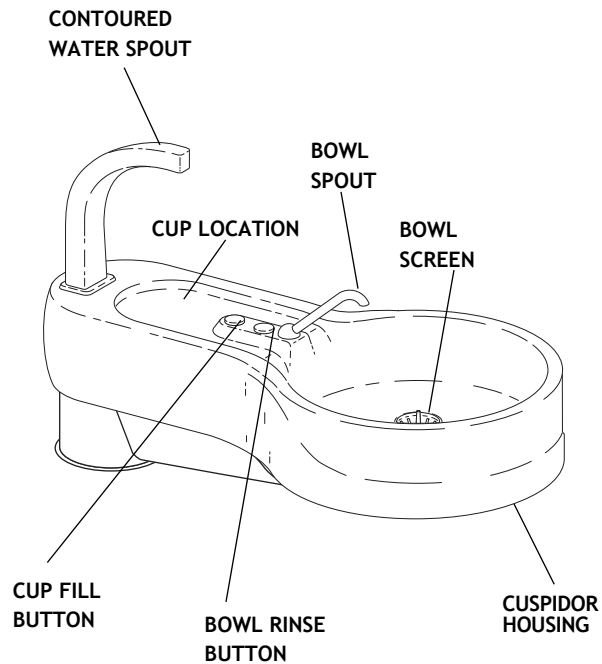


Figure 1. Cascade 7284 Cuspidor and Radius 7285 Cuspidor

## Cuspidor Controls

**Cup Fill Button.** Allows water to flow into a cup. When your cuspidor has an automatic timer, press the button once and water will flow for approximately four seconds. If you have a manual cuspidor, water will flow as long as the button is pressed. *(Refer to page 9 for cup fill adjustments.)*

**Bowl Rinse Button.** Starts the timed bowl rinse. The bowl rinse provides rinse water for the cuspidor bowl. *(Refer to page 7 for bowl rinse flow adjustments.)*

**Bowl Rinse Time Adjustment.** Adjusts the length of time that water flows to the bowl rinse. *(Refer to page 8 for bowl rinse time adjustments.)*

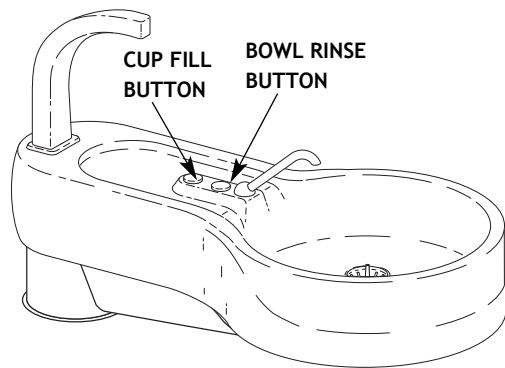


Figure 2. Cuspidor Control Locations

## Touch Pad (Optional)

Your cuspidor may be equipped with a touch pad. For chair touch pad instructions, refer to the **Cascade 1040 Chair Owner's Guide** (A-dec Publication No. 85.2605.00) or **Decade 1011/1021 Chair Owner's Guide** (A-dec Publication No. 85.2635.00).

For Cascade Master Series® touch pad instructions, refer to your **Cascade Master Series Touch Pad Owner's Guide**, (A-dec Publication No. 85.2627.00).

## Master On/Off Toggle

The master on/off toggle can be found on the post box, control head or Master Series touch pad. Moving the toggle to the ON position provides air and water to the system. Move the toggle to the OFF position while the unit is unattended to prevent water damage in case of a leak.

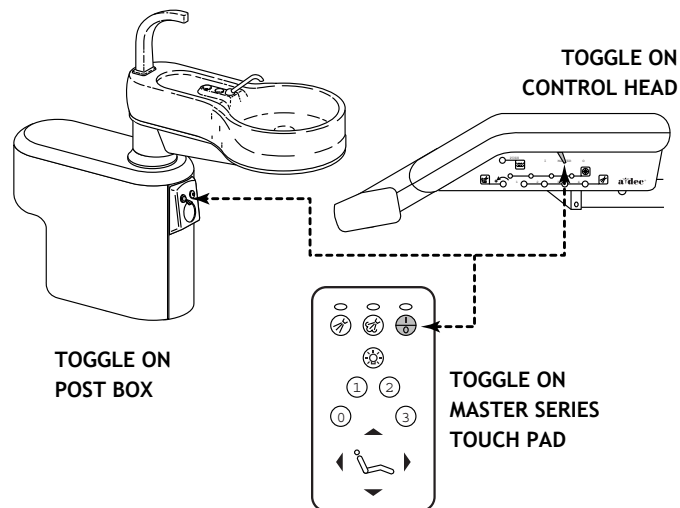


Figure 3. Master On/Off Toggle Locations



## *Cuspidor Limit Switch*

Cuspidors mounted to A-dec Cascade or Decade® chairs are equipped with a cuspidor limit switch. This limit switch prevents potential equipment damage by stopping the chair immediately whenever the cuspidor is inadvertently lowered over an object, such as a stool.

To test the cuspidor limit switch, slightly lift the cuspidor and listen for a “click”. The “click” indicates that a switch has been activated. To check the operation of the limit switch, start lowering the chair. While the chair is in motion, lift the cuspidor slightly. The chair will stop and all chair functions except Base Up will be disabled. The Base Up function remains active so you can raise the chair to remove any object caught under the cuspidor. When the object has been removed, all chair functions will operate normally.

## *Gravity Drain Cleaning*

*At the end of each day*, flush the drain to remove debris which can collect in the flexible drain tubing. If the drain is not flushed regularly, debris may build up and impair cuspidor draining. To flush the drain, raise the chair to its highest position and run the bowl rinse several times, long enough so that water flows down the drain for about 60 seconds.

### **Caution**

Do not empty the solids collector screen into your cuspidor. Doing so could plug the cuspidor drain.

## Cleaning the Cuspidor

### Caution

Clean the cuspidor with the contoured water spout in place. This will help prevent cleaning solutions from causing potential equipment damage and contamination of the water flowing to the cup.

The cuspidor is designed for quick and easy cleaning. The contoured spouts and the smooth cuspidor housing help facilitate more complete cleaning. When cleaning, do not remove the contoured water spout (see Figure 4). Also remember to empty and clean the bowl screen.

### Caution

Do not empty the bowl screen into your cuspidor. Doing so could plug the cuspidor drain.

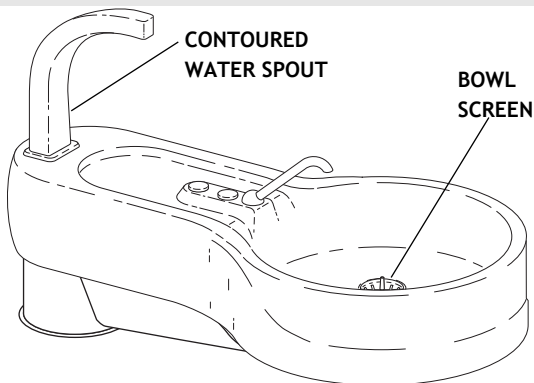


Figure 4. Cleaning the Cuspidor

### Caution

After cleaning, always install the bowl screen in the cuspidor bowl drain to prevent debris from plugging the drain.

## Care Instructions

For recommended asepsis instructions, refer to your *Equipment Asepsis Owner's Guide*, A-dec Publication No. 85.0696.00.

## Bowl Rinse Adjustment

The flow of water to rinse the bowl and the length of time that water flows to rinse the bowl are set at the factory. Water conditions in your location may require a change in these settings.

### Bowl Rinse Flow Adjustment

The bowl rinse flow adjustment location is inside the post box or under the cuspidor bowl (see Figure 5). To remove the side cover from the post box (Cascade 7284 only), insert your fingers under the lower edge of the cover and pull out and down on the side cover. If you have a Radius 7285 Cuspidor, loosen the thumbscrew and lower the cover.

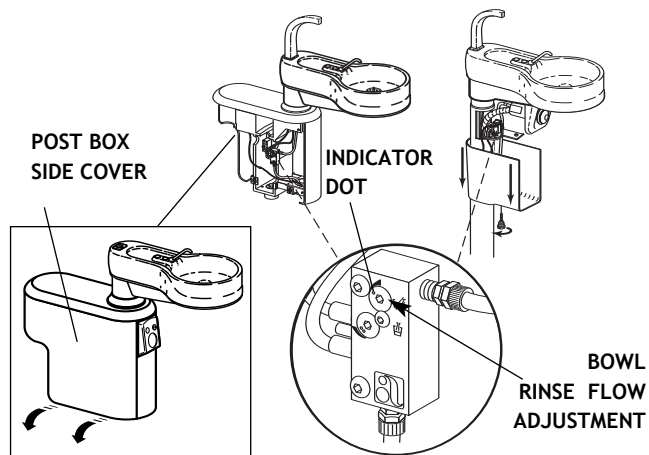


Figure 5. Bowl Rinse Flow Adjustment

Locate the bowl rinse flow adjustment (*see Figure 5*). Notice the position of the indicator dot which shows the present setting of the flow control.

Using an adjustment key or a 1/8 inch hex key, turn the adjustment key clockwise to increase the flow rate and counterclockwise to decrease the flow rate.

Check the flow rate by pressing the bowl rinse button. When the adjustment has been completed, reinstall the cover.

### *Bowl Rinse Time Adjustment*

To change the length of time that water flows for the bowl rinse, locate the time adjustment screw (*see Figure 6*). Use an adjustment key or a 1/8 inch hex key to turn the adjustment key clockwise (as viewed from the bottom) to increase the length of time water flows to rinse the bowl or counterclockwise to decrease the length of time. Check the length of time for water flow and adjust until it is satisfactory.

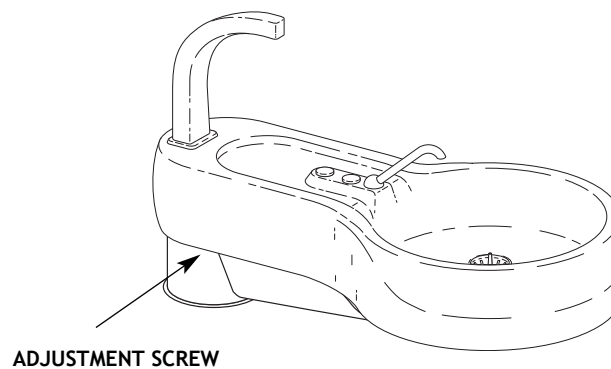


Figure 6. Bowl Rinse Time Adjustment

## Cup Fill Adjustment

### Timed or Manual Cup Fill

The timer for the automatic cup fill is set at the factory. If you ordered an optional manual cup fill, the water flow is set during installation to prevent splashing. In either case, the amount of water flowing into the cup may be changed.

If an adjustment is necessary to either the manual or timed cup fill, remove the side cover on the post box (*Cascade 7284 Cuspidor*) by inserting your fingers under the lower edge of the cover and pulling out and down on the cover (see inset in *Figure 5 on page 7*). If you have a *Radius 7285 Cuspidor*, loosen the thumbscrew and lower the cover.

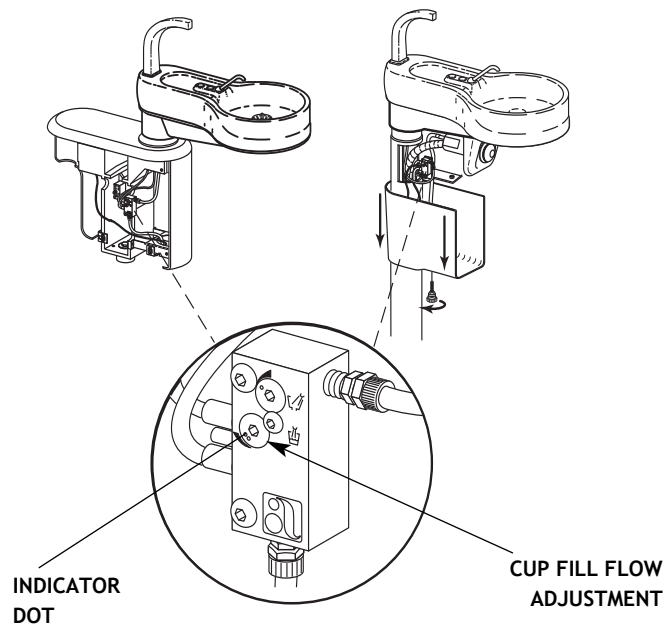


Figure 7. Cup Fill Flow Adjustment

Locate the cup fill flow adjustment (*see Figure 7*). Notice the location of the indicator dot showing the position of the current setting. Use an adjustment key or a 1/8 inch hex key and turn the key clockwise to increase the flow rate or counterclockwise to decrease the flow rate. Check the cup fill flow. When the adjustment has been completed, reinstall the cover.

## Utility Controls

The air and water manual shutoff valves, filter and regulator package, as well as any vacuum or drain outlets, are located in the floor box mounted over the office plumbing on the floor or wall. *If you have a Cascade 7284 Cuspidor*, some controls are located in the post box at the side of the chair.

Refer to the *Floor Boxes Owner's Guide (A-dec Publication No. 85.2611.00)* for complete information about the floor box.

## Maintenance

Gravity Drain Cleaning .....	page 5
Cleaning the Cuspidor .....	page 6
Care Instructions	
<b>Equipment Asepsis</b>	
<b>Owner's Guide .....</b>	<b>85.0696.00</b>
Parts	
<b>Maintenance Parts</b>	
<b>Owner's Guide .....</b>	<b>85.2634.00</b>

## Adjustments and Specifications

### Touch Pad Functions

#### Cascade 1040 Chair

Owner's Guide .....85.2605.00

#### Decade 1011/1021 Chair

Owner's Guide .....85.2635.00

#### Cascade Master Series Touch Pad

Owner's Guide .....85.2627.00

Bowl Rinse Adjustment .....page 7

Cup Fill Adjustment .....page 9

### Utility Controls

#### Floor Boxes

Owner's Guide .....85.2611.00

### Minimum air, water and vacuum service requirements

for proper unit operation:

Air: 2.50 cfm (70.80 l/min) at 80 psi (551 kPa).

Water: 1.50 gpm (5.68 l/min) at 40 psi (276 kPa).

Vacuum: 12 cfm (339.84 l/min) at 8 inches of mercury (27 kPa).

Maximum weight for the 7284: 160 lbs (72.58 kg).

Maximum moment at the 7284 unit mount arm created by the freestanding unit is 250 ft-lbs

(339 N·m) along the axis of the post box.

Maximum weight for the 7285: 50 lbs (22.68 kg).

Maximum moment at the 7285 unit mount arm created by the freestanding unit is 40 ft-lbs

(54 N·m).

Specifications are subject to change without notice.

## Regulatory Information

The Regulatory Information and Specifications document is delivered with A-dec dental device equipment as mandated by agency requirements. If you need this information, please go to the Document Library at [www.a-dec.com](http://www.a-dec.com).



**USA and Canada**  
2601 Crestview Drive  
Newberg, OR 97132 USA  
Tel: 1.800.547.1883 Within USA/Canada  
Tel: 1.503.538.7478 Outside USA/Canada  
Fax: 1.503.538.0276  
[www.a-dec.com](http://www.a-dec.com)

*International Distribution Centers*

**A-dec United Kingdom**  
*EU Authorized Representative*  
Austin House, 11 Liberty Way  
Nuneaton, Warwickshire CV11 6RZ  
England  
Tel: 0800 ADECUK (233285) Within UK  
Tel: +44 (0) 24 7635 0901 Outside UK  
[www.a-dec.co.uk](http://www.a-dec.co.uk)

**A-dec Australia**  
Unit 8, 5-9 Ricketty Street  
Mascot, NSW 2020  
Australia  
Tel: 1.800.225.010 Within Australia  
Tel: +61 (0)2 8332 4000 Outside Australia  
[www.a-dec.com.au](http://www.a-dec.com.au)

