

PREFERENCE[®] II
MODULAR
DENTAL FURNITURE

A-dec warrants its products against defects in material or workmanship for one year from time of delivery (except for handpieces which have a warranty period of six months). A-dec's sole obligation under the warranty is to provide parts for the repair, or at its option, to provide the replacement product (excluding labor). The buyer shall have no other remedy. (All special, incidental, and coincidental damages are excluded.) Written notice of breach of warranty must be given to A-dec within the warranty period. The warranty does not cover damage resulting from improper installation or maintenance, accident or misuse. The warranty does not cover damage resulting from the use of cleaning, disinfecting or sterilization chemicals and processes. The warranty also does not cover light bulbs. Failure to follow instructions provided in A-dec's Operation and Maintenance Instructions (Owner's Guide) may void the warranty.

NO OTHER WARRANTIES AS TO
MERCHANTABILITY OR OTHERWISE ARE MADE



All product names used in this document are trademarks or registered trademarks of their respective holders.



**Preference® II 5551 Treatment Console
(shown with Cascade® Delivery System)**

CONTENTS

Operation

About Your Preference II Dental Furniture	2
Preference II Dental Furniture	3
Features	5
Clock/Timer	8
Water Temperature Adjustment	10
Replacing Color End Caps	11
Replacing the Task Light Fluorescent Tube	12
Task Light Interconnect	12
Filling the Soap Dispenser	13
Care Instructions	13
<i>(Refer also to A-dec Publication No. 85.0696.00, Equipment Asepsis Owner's Guide.)</i>	
Using Your Preference II Dental Furniture	14
Storage Compartment Setup	14
Utilities and Utility Controls	16
Air and Water Manual Shutoff Valves....	16
Utility Module.....	17
Air-Actuated Air and Water Shutoff Valves.....	17
Air and Water Filters	18
Air and Water Pressure Pre-Regulators....	18
Water Heater (optional)	18
Power Supplies.....	19
Wooden Door Removal	21
Wooden Door Hinge Adjustment	22
Glass Door Adjustment	23
Drawer Push Latch Adjustment	23
Vacuum Drain (optional)	24
Cleaning	24
Servicing	25

Maintenance

Replacement Parts	27
-------------------------	----

OPERATION

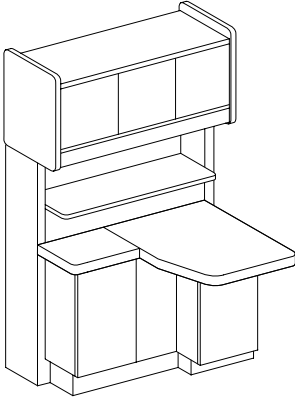
About Your Preference II Dental Furniture

Preference II Dental Furniture provides the opportunity for optimum productivity and comfort by allowing you to place instruments and supplies within easy reach. The clean lines allow the units to be easily cleaned and disinfected.

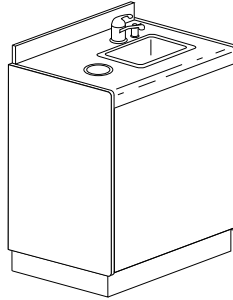
Doors and drawers are equipped with easy-open push latches permitting the retrieval and return of instruments and materials from the seated position with minimum effort. Preference II storage areas are located so that instruments and supplies can be placed where you need them.

Your Preference II Dental Furniture is fully compatible with tub and tray retrieval systems. Properly applied, these systems provide fingertip access to a full day's operating supplies, and can greatly increase team efficiency. Refer to page 14 for storage compartment setup.

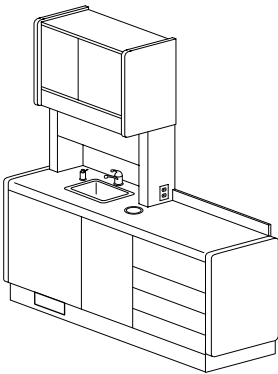
Dental Furniture



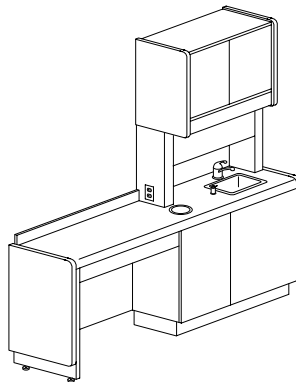
Model 5551
Treatment Console



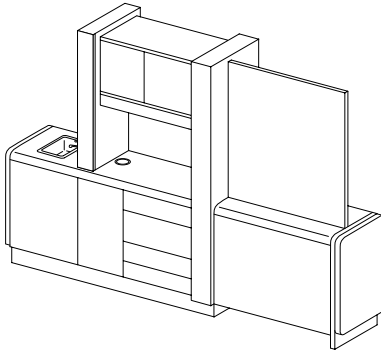
Model 5570
Companion Wash
Station



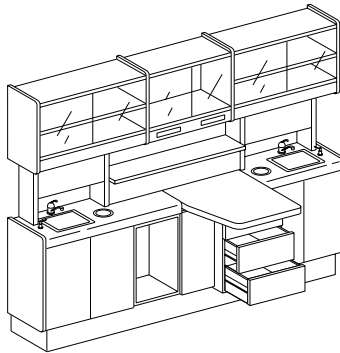
Model 5522
Assistant's Console



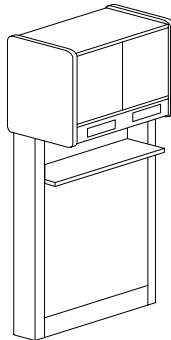
Model 5512
Doctor's Console



Model 5542
Central Console



Model 5557
Treatment Console



Model 5561
12 O'Clock Column

Features

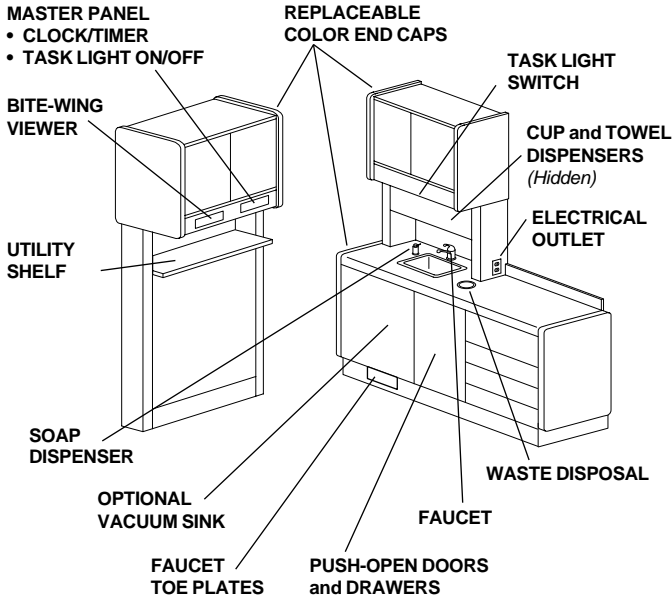


Figure 1. Features

Master Panel

Includes a touch-activated task light on/off switch, and easily programmed clock/timer. The task light switch can control the lights on all Preference furniture in one operatory (*refer to page 12*). The clock/timer is described on page 8 and comes standard on the 5561 12 O'clock and 5551/5557 Treatment Consoles.

Replaceable Color End Caps

Allows you to replace the end caps when redecorating, or replace an end cap which has been damaged. Refer to page 11 for instructions.

Faucet	Delivers temperature controlled water. Refer to page 10 for water temperature adjustment.
Task Light Switch	Operates unit task light. For task light interconnect information, refer to page 12.
Electrical Outlet	Provides power for auxiliary equipment. Not for use with x-ray machines.
Waste Disposal	Provides drop-through access to a large capacity waste container inside the unit.
Cup and Towel Dispensers	Accept standard 3-ounce plastic cups and C- or Z-fold paper towels. Refer to page 27. Storage space inside the cup/towel compartment has room for a small back-up supply.
Push-Open Doors and Drawers	Provide easy access to stored materials and are easily cleaned. To open, lightly press in on the drawer, the latch will release and the drawer will open. To close, push the drawer in all the way and it will latch.
Faucet Toe Plates	Provide hands-free operation of the faucet. When the faucet handle is properly set, cold water and a combination of hot and cold (warm) water are available. Refer to page 10 for water temperature adjustment.

Optional
Vacuum
Sink

Provides a quiet, efficient, vacuum drain system for any Preference II sink. Refer to page 24.

Caution

Never leave a vacuum sink unattended with water running into it. If the vacuum or air supplies to the sink fail, the drain will stop working and the sink will overflow. To be absolutely safe, turn the water off at the faucet whenever the operatory is unattended.

Soap
Dispenser

Provides a convenient, easy to fill soap dispenser. Refer to page 13 for soap dispenser filling instructions.

Utility
Shelf

Provides convenient storage and/or a shelf for small electrical equipment, such as amalgamator, scaler, electro-surge, and curing light. Includes two electrical outlets at shelf level.

Bite-Wing
Viewer

Provides a 2-inch by 10-inch viewing screen for X-rays. Comes standard on the 5561 12 O'clock and 5551/5557 Treatment Consoles.

Note

A standard-size X-ray viewing screen can be mounted in the door of the cup/towel dispenser compartment. Consult your authorized A-dec dealer.

Clock/Timer

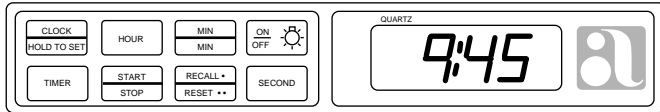


Figure 2. Clock/Timer Control Panel

The combination clock/timer (located on the Master Panel) provides the following features:

- Time-of-day clock
- Timer function with alarm (count down)
- Elapsed time function (count up)
- Recall last setting

To display or set the clock, press **CLOCK**. To display or set the timer, press **TIMER**.

CLOCK Mode: In clock mode, the digits display the time of day. You will know the display is in clock mode if the colon (:) is flashing. The clock does not have battery back-up, so the time will be lost if the power goes out. (The display will flash, indicating that power was lost.) White pads indicate clock functions. (Note that the Task Light On/Off Switch is also white.)

To set the clock, press and hold the **CLOCK** pad. You must continue pressing the **CLOCK** pad as you set the time. Set the time using the **HOUR** and **MIN** (minute) pads. Press and hold each pad until the desired digits are displayed.

TIMER Mode: You can set the timer to alert you when a specified amount of time has passed (timer function), or you can use it to determine how much time an event takes (elapsed time function). After you start the timer, you can return the display to clock mode by pressing **CLOCK**. The timer will continue to count, sounding the alarm at the proper time. Gray pads indicate timer functions. In timer mode the colon (:) on the display is steady.

To use the timer (count down function), press **TIMER**. Note that it is not necessary to continue pressing the **TIMER** pad while setting the timer. Use the **MIN** and **SECOND** pads to enter the time desired (press the pad until the desired digits are displayed). To repeat the last time entered, press **RECALL**. To clear the display (set it to zero), press **RESET** (you must press this pad twice for reset, once for recall, as indicated by the dots beside each name). When you are ready to begin timing press **START**. Note that once the timer is running, you must press **STOP** before attempting to **RESET** it.

When the timer has counted down to zero, the alarm chime will sound. If you do not stop the timer when the alarm sounds, it will immediately begin to count up. This feature allows you to see how much time has elapsed since the timer went off, helping you determine, for example, whether a mixture has been allowed to set-up too long. The timer will continue to count up until you press **STOP**.

Once you have started the timer, it will continue to count down and will sound the alarm even if you return the display to **CLOCK**. To see how much time is left on the timer, simply return the display to **TIMER**.

To use the elapsed time counter (count up function), press **TIMER**. Press **RESET** if you wish to begin counting at zero (you must press this pad twice for reset). Press **START** when you are ready to begin timing. Press **STOP** to end timing.

Once you have started the elapsed time counter, it will continue to count up even if you return the display to **CLOCK**. To see how much time has elapsed, simply return the display to **TIMER**. You can generate cumulative times by stopping the timer when a procedure has been completed, then starting it again at the start of the next procedure without resetting to zero.

Adjusting the Faucet

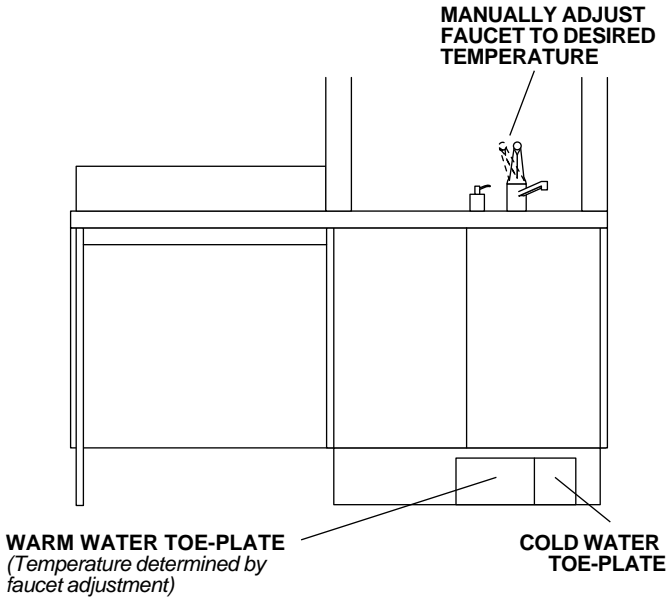
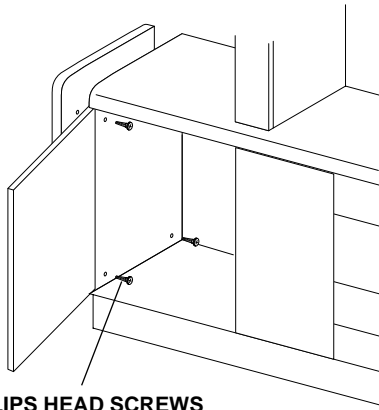


Figure 3. Adjusting the Faucet

All Preference II sinks are equipped with a convenient toe-activated faucet. One toe plate dispenses cold water, while the other dispenses a mixture of hot/cold water. The water temperature is determined by the setting of the faucet handle.

To set the water temperature of the toe-activated faucet, press the warm water toe-plate, then move the faucet handle until the water is at the desired temperature. The water will maintain this setting until the faucet handle is moved. Note that when the faucet is set to only cold water, the toe-plate for hot/cold mix will yield only cold water; and when the faucet is set to only hot water, the cold water toe-plate will not dispense any water.

Replacing Color End Caps



PHILLIPS HEAD SCREWS

Figure 4. Replacing Color End Caps

The replaceable color end caps are mounted to your dental furniture with Phillips head screws.

To remove an end cap, first clear the shelves of the unit to provide easy access to the mounting screws located on the interior of your dental furniture (see Figure 4).

Caution

When removing or replacing end caps on lower units, you will need someone to support the end cap to prevent it from falling off the unit when the screws are removed.

Remove the plastic screw caps covering the screws (*located in the uppers and the lower equipment end only*) by gripping the cap firmly and pulling. Then remove the screws, allowing the end cap to be lifted off the unit.

To replace the end cap, position the end cap over the screw holes, install the screws. Replace the screw caps on the equipment end.

Replacing the Task Light Fluorescent Tube

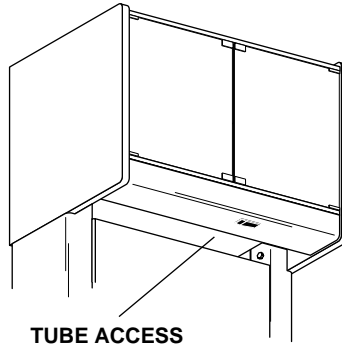


Figure 5. Accessing the Fluorescent Tube

You will need a 24 inch, 20 watt replacement tube (order **A-dec Part No. 041.261.00** or replace with #F20T12/CW or equivalent tube).

To replace a burned-out fluorescent light, reach up into the recessed area above the workspace (see Figure 5) and carefully twist the tube 45°. Then lower the tube, tilting it slightly at one end to avoid the switch wire extending underneath the light.

Task Light Interconnect

In operatories with more than one Preference unit, the Master Panel Light Switch (*refer to page 5*) can be wired to control all Preference task lighting. This allows all lights to be turned on and off at one central location, typically at the 12 O'Clock position. This wiring is usually done when your dental furniture is installed. Contact your authorized A-dec dealer for more information.

Filling the Soap Dispenser

The soap dispenser can be easily filled above the countertop, without removing the bottle.

To fill the soap dispenser: pull the head and pump assembly from the bottle, then fill the bottle with liquid soap (see Figure 6). When finished, push the head and pump assembly back into place.

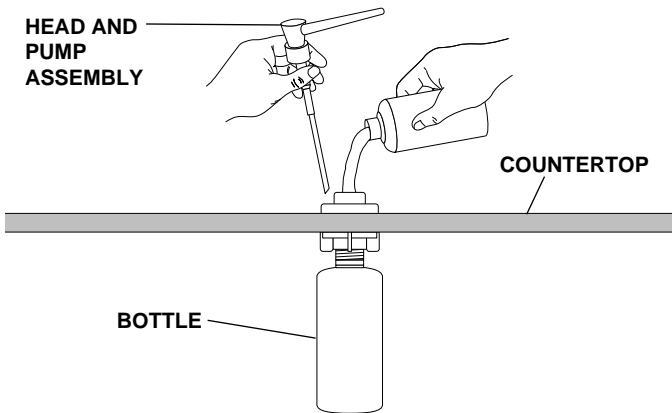


Figure 6. Refilling the Soap Dispenser

Care Instructions

For recommended asepsis, refer to your **Equipment Asepsis Owner's Guide**, A-dec Publication No. 85.0696.00.

Using Your Preference II Dental Furniture

Preference II Dental Furniture helps you create a treatment room environment which is well organized and, when combined with an efficient tub and tray retrieval system, allows you to use your limited operatory space effectively.

Storage Compartment Setup

Stock storage compartments so that you and your staff have easy access to materials that are used routinely. Use Figures 7, 8, and 9 to help determine how to most effectively stock your dental furniture.

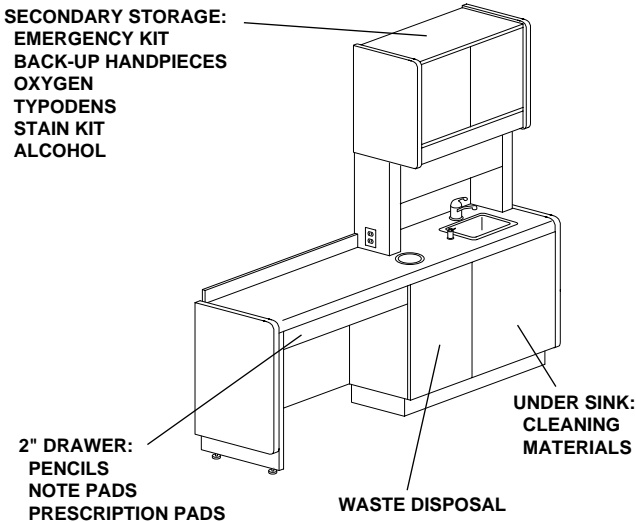


Figure 7. Doctor's Console

**PASS-THROUGH STORAGE:
TUBS AND TRAYS**

**ACCESSORY SHELF
WITH OUTLETS:
BEAD STABILIZER
ELECTRO-SURGE,
CURING LIGHT
SCALER
AMALGAMATOR**

**UTILITY WALL:
ASSISTANT'S INSTRUMENTS
NITROUS STORAGE**

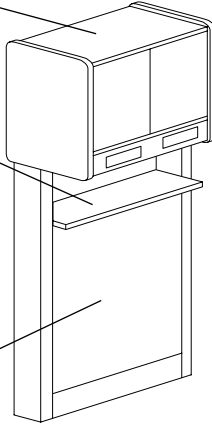


Figure 8. 12 O'Clock Column

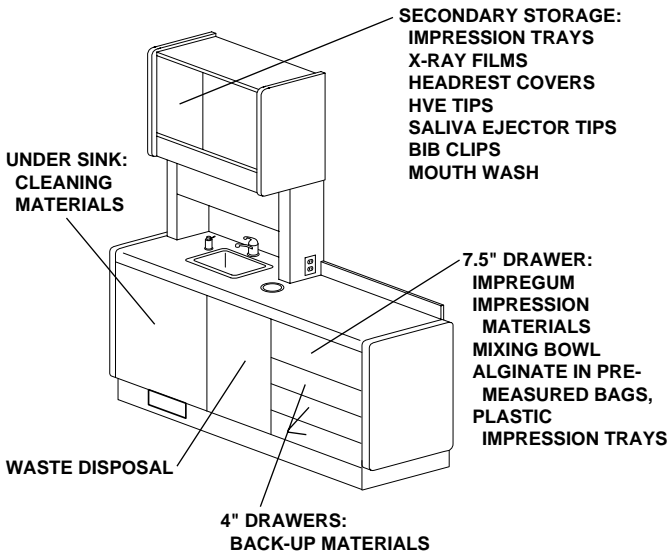


Figure 9. Assistant's Console

Utilities and Utility Controls

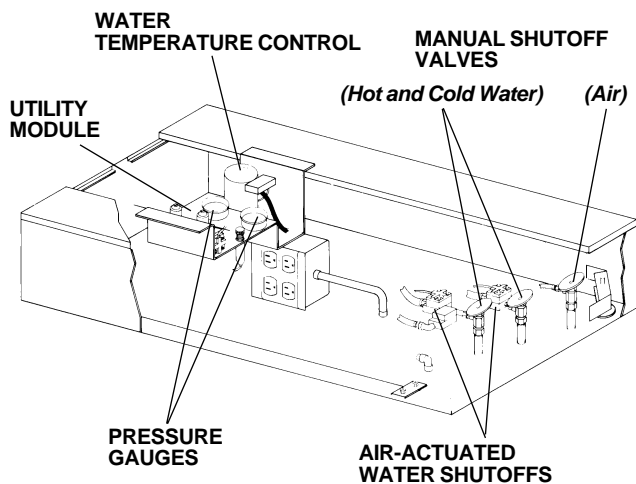


Figure 10. Utility Components

The utilities, power supplies, and controls for the handpiece system (if required), are located in the base of each Preference II unit (see *Figure 10*).

Air and Water Shutoff Valves

Shutoff valves control the air and water to the unit. To prevent leaks, these valves should remain fully open (turned counterclockwise) except while your unit is being serviced.

Utility Module

A **utility module** is supplied only with handpiece control systems. It consists of filter/regulators and pre-regulators required by the handpiece control.

Access to the utilities area of each unit is shown in Figure 11.

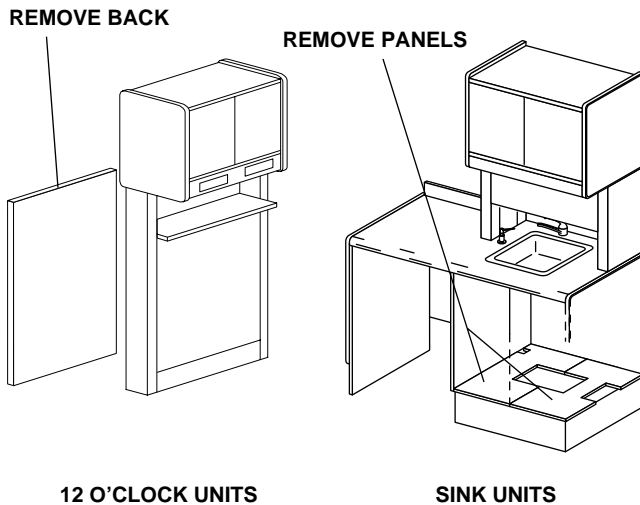


Figure 11. Accessing the Utilities

Air-Actuated Air and Water Shutoff Valves

The **air-actuated air and water shutoff valves** automatically shut off air and water to the system when the Master On/Off Toggle is in the OFF position. This safety feature prevents water damage in the event the unit should develop a water leak while the unit is unattended.

Air and Water Filters

Filters prevent solids from entering the unit.

Air and Water Pressure Pre-Regulators

Pre-Regulators control the air and water pressures in the unit.

Water Heater (optional)

Water temperature at the syringe may be effected by an optional water heater. Two options are available: a tank-style water heater and an inline low voltage water heater.

Refer to ***Autoclavable Syringe, A-dec Publication 85.0680.00***, in your ***Owner's Guide*** for water heater adjustment information.

Refer to the Owner's Guide supplied with your Handpiece Control System for more information on utility controls.

Power Supplies

Your system may include A-dec's 17 watt power supply or 300 watt power supply (see *Figure 12* or *Figure 13* on page 20). No cleaning or maintenance is required to maintain the power supply.

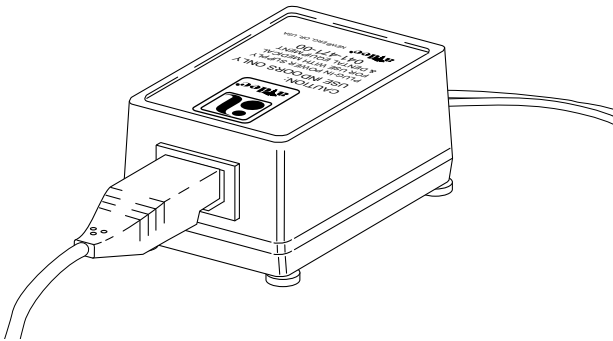


Figure 12. 17 Watt Power Supply

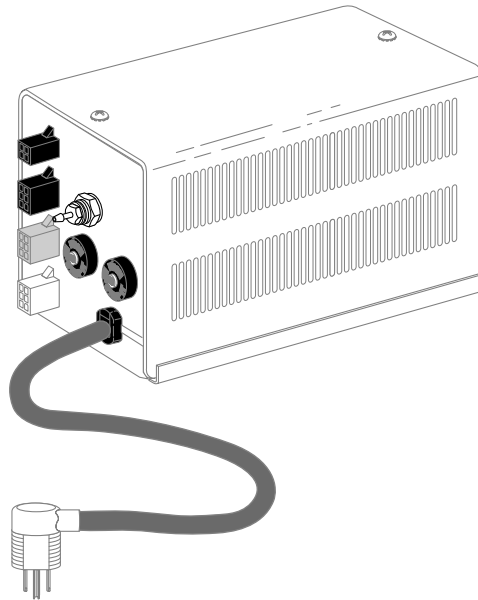


Figure 13. 300 Watt Power Supply

NOTE

The master on/off toggle switches the control head, dental light, auxiliary cable, and the indicator light on or off.

If a problem arises with the power supply or an A-dec electrical accessory to the power supply, call your authorized A-dec dealer.

Wooden Door Removal

For convenient door removal and replacement, wooden doors and lead lined x-ray doors utilize quick-release hinges.

To remove wooden doors, press in on the hinge locking tab (see Figure 14), then unlatch the hinge.

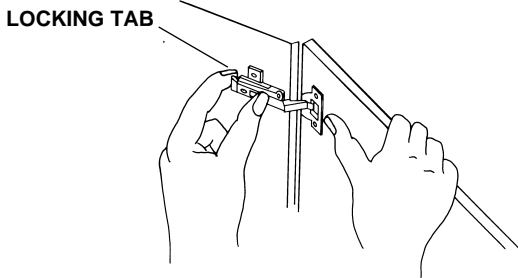


Figure 14. Removing Doors

To reinstall the doors, align the pin in the hinge into the front of the mounting plate (see Figure 15), then snap the latch in place. Swing the door back and forth several times to be sure the hinge is secure.

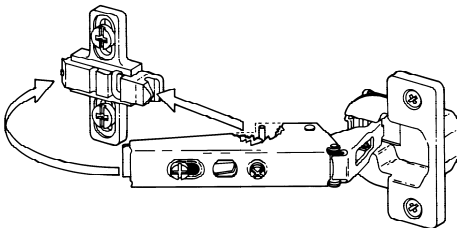


Figure 15. Reinstalling Doors

Wooden Door Hinge Adjustment

Door hinges are factory installed and should not require adjustment. However, adjustment screws on each hinge allow you to readjust the hinges if it becomes necessary.

To adjust wooden doors (see Figure 16):

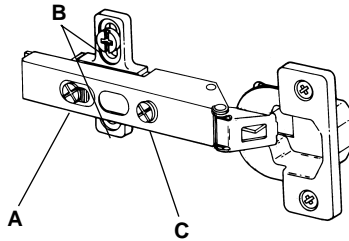


Figure 16. Adjusting Wooden Doors

Depth: Loosen screw A one full turn, then move the door in or out until it fits properly. Retighten the screw.

Height: Loosen both B screws one-quarter turn, then move the door up or down until it fits properly. Retighten the screws.

Side-to-Side: Loosen or tighten screw C until the door fits properly.

When you have completed the adjustment, swing the door in and out a few times to be sure it operates properly.

Glass Door Adjustment

Caution

To avoid injury, make sure the hinge screws are firmly tightened after adjusting the glass doors.

To adjust glass doors (see Figure 17), slightly loosen the screw at each hinge, move the door until it fits properly, then retighten the screws.

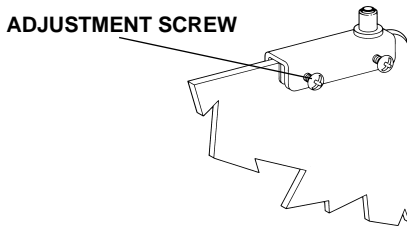


Figure 17. Adjusting Glass Doors

Drawer Push Latch Adjustment

To adjust the drawer push latches (see Figure 18), remove the pin from the barrel of the push latch. Adjust the barrel by turning it counterclockwise (out) or clockwise (in) until the front of the drawer is flush with the unit. Replace the pin in the barrel.

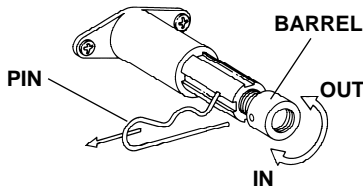


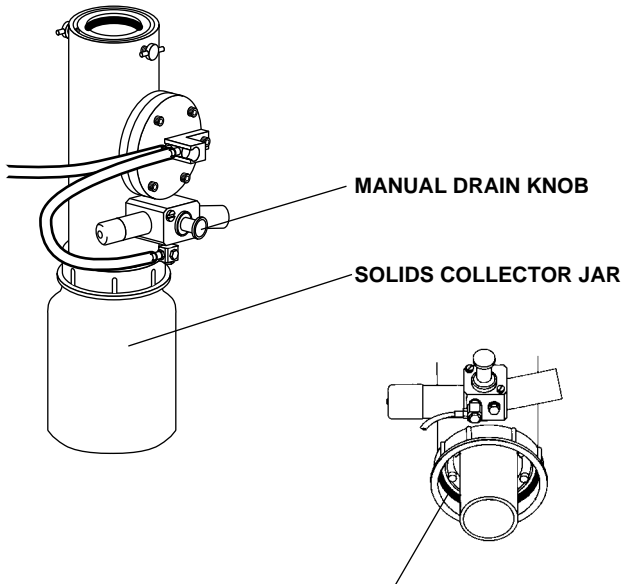
Figure 18. Adjusting Drawer Push Latch

Vacuum Drain (optional)

Cleaning

When your equipment is first used, check the solids collector jar (*located under sink*) daily to determine the cleaning intervals appropriate for your particular practice. Empty the jar when solids have accumulated to a depth of 1 1/2-inches or more. Even if waste levels are quite low, we recommend cleaning the solids collector at least once per week.

To clean the solids collector jar, turn the vacuum system ON, then locate the manual drain knob (labeled **PULL TO DRAIN**) under the sink (*see Figure 19 on page 25*). Pull this knob and hold it out until the drain stops drawing water. Place a pan or towel under the solids collector jar to catch the small amount of water that will be spilled when you unscrew the jar. Remove and clean the jar. Check the gasket to make sure it is securely seated in the lid, then reinstall the jar. Run water in the sink, then check carefully for leakage around the top of the jar before removing the pan or towel.



IMPORTANT: GASKET MUST BE SEATED BEFORE THE JAR IS INSTALLED

Figure 19. Solids Collector Cleaning

Servicing

*If the sink backs up or makes a continuous gurgling noise, pull the manual drain knob (labeled **PULL TO DRAIN**) under the sink (see Figure 19). If the sink does not empty, or if it continues to gurgle, call your authorized A-dec dealer for assistance. If the sink empties when you pull the manual drain knob, but does not drain (or continues to gurgle) under vacuum operation, adjust the vacuum drain actuator as instructed on page 26.*

To adjust the vacuum drain actuator:

1. Turn the vacuum signal valve adjusting screw (see Figure 20) clockwise until the drain opens.

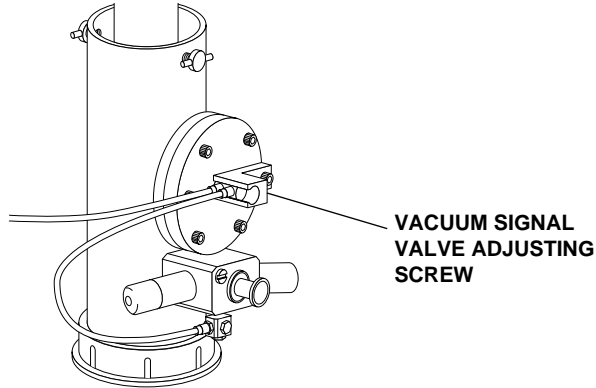


Figure 20. Adjusting the Vacuum Drain Actuator

2. If the drain operates continuously, turn the adjusting screw counterclockwise until it closes. Do not turn the adjusting screw far enough to release the vacuum signal valve from its housing.
3. Alternately run water in the sink and adjust the vacuum signal valve until the drain operates quietly and keeps the sink empty.

If the sink does not drain, or drains poorly, there may be an obstruction in the drain assembly above the solids collector jar. Call your authorized A-dec dealer for assistance.

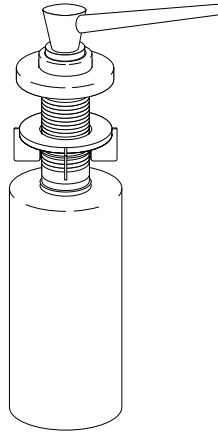
If the preceding steps fail to correct the problem, call your authorized A-dec dealer for recommendations.

MAINTENANCE

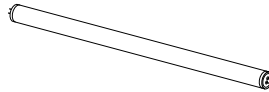
Replacement Parts

The following items may be obtained from your authorized A-dec dealer.

Soap Dispenser Assembly
042.053.00
(Contact your local Delta® dealer
for individual parts of the
RP1000 Pump Assembly.)



Fluorescent Cool White Lamp
20 Watt
(#f20t12/CW or equivalent)
041.261.00



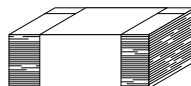
Note

Cup and towel dispenser replacements are shown for your information only. They may not be available from your authorized A-dec dealer.

Cups
Sweetheart® 5 oz.,
(No. PO-5 or equivalent)



Paper Towels
Crown-Zellerbach®, 9 1/2" x 9 1/4" or
equivalent, C- or Z-Fold





2601 Crestview Drive
Newberg, Oregon 97132 U.S.A.
Telephone 1-800-547-1883
(503) 538-7478
Fax (503) 538-0276



Designated Representative's Address:
A-dec Dental U.K., Ltd.
Austin House
11 Liberty Way
Attleborough Fields,
Nuneaton, Warwickshire,
England CV11 6RZ
Telephone: 00 24 7635 0901
Fax: 00 24 7634 5106

Designated Representative's Address:
A-dec Australia
41-43 Bowden Street
Alexandria, N.S.W. 2015, Australia
Telephone: (61) 1.800.225010
