

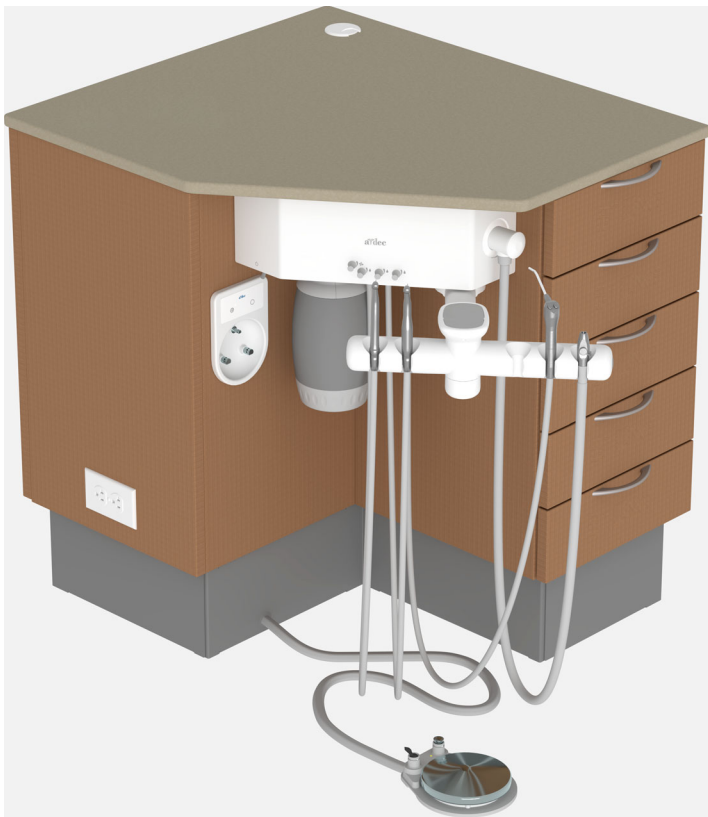


A-dec® 341sp Specialty Delivery System

INSTALLATION GUIDE

Contents

- Before You Begin 2**
- Install the Delivery System .. 3**
- Connect the Data Line and Power Cables at the Cabinet 6**
- Connect the Remote Power Cables and Data Line at the Dental Chair 8**
- Connect the Tubing 13**
- Prepare and Adjust the System 15**
- Customize Touch Control Settings 19**
- Test the System 19**
- Regulatory Information and Warranty 20**



A-dec 341sp Specialty Delivery System on an A-dec Inspire® 397 Specialty Cabinet.

Product Models and Versions Covered in This Document*

Models	Versions	Description
341sp	n/a	Delivery System
397	A	Dental Furniture

*Some product models, versions, and options in this document may not be available in certain regions.

Before You Begin

Before starting the installation:

- Check with local building and code authorities about installation requirements specific to your location.
- Check that the manual air shut-off valve is installed.
- For information about dimensions, range of motion, and placing the utilities, see the *A-dec Inspire® 397 Specialty Cabinet and Related Modules Pre-Installation Guide* (p/n 86.1101.00).

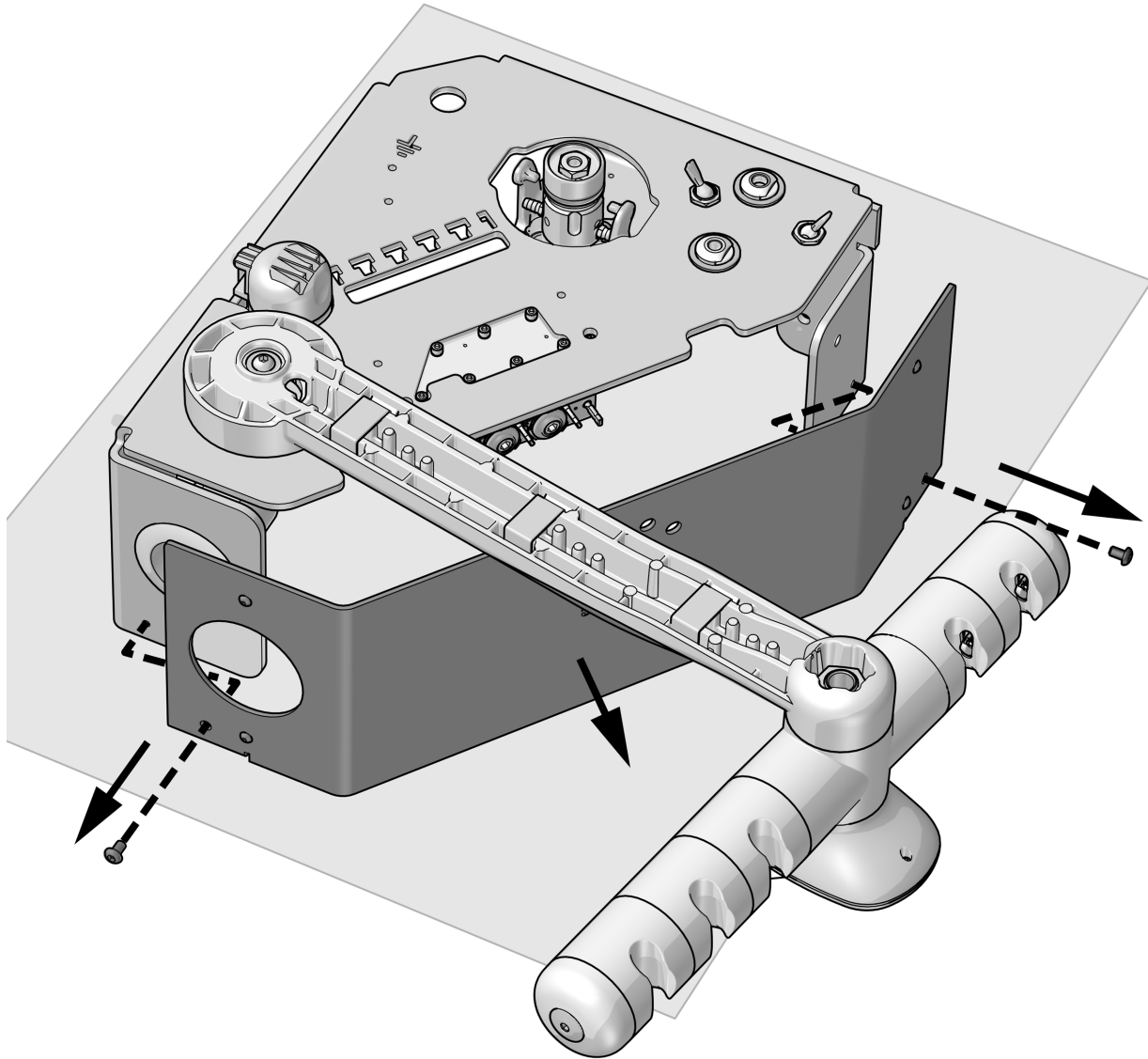
Recommended Tools

- Diagonal cutters
- Anti-static wrist strap
- Hex key set
- Wire strippers
- 3/8" combination wrench
- Handpiece pressure gauge

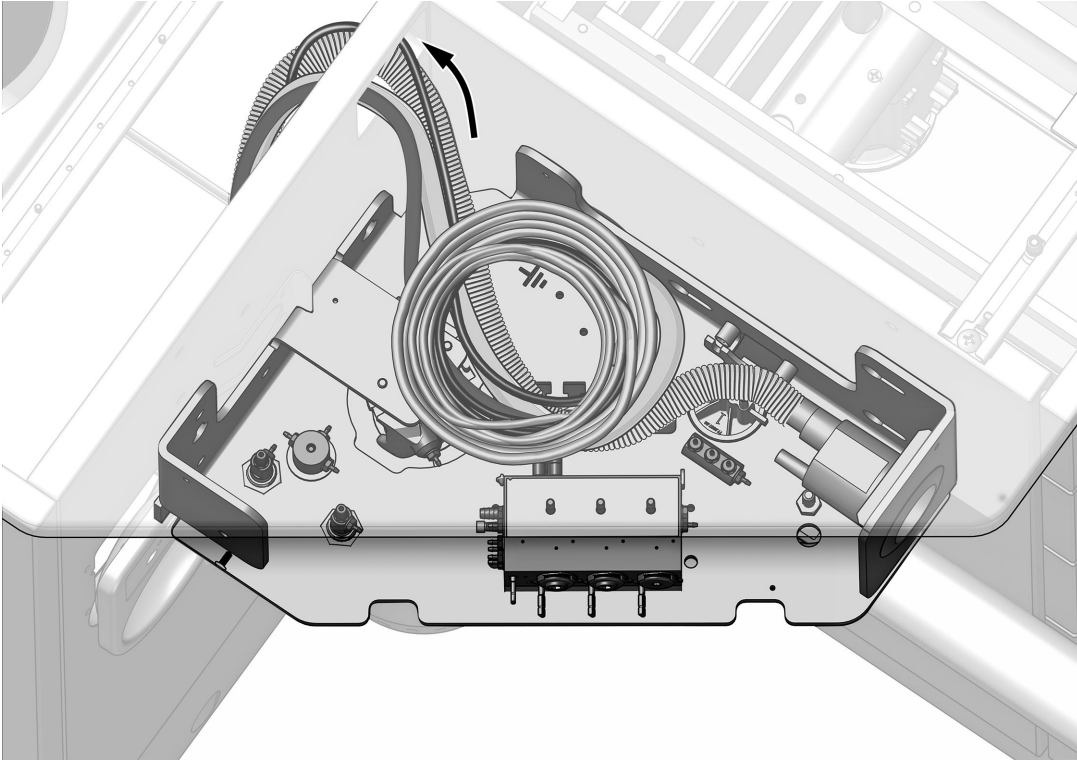
Install the Delivery System

Recommended Tool

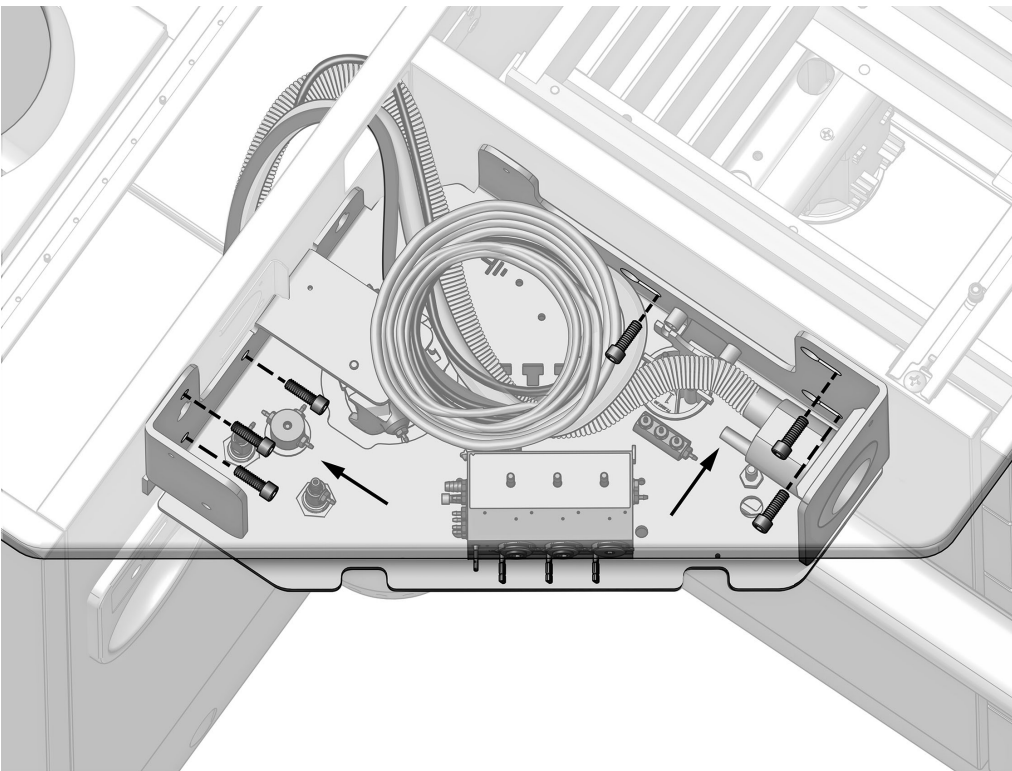
- 1/8" and 3/16" hex key
- Diagonal cutters



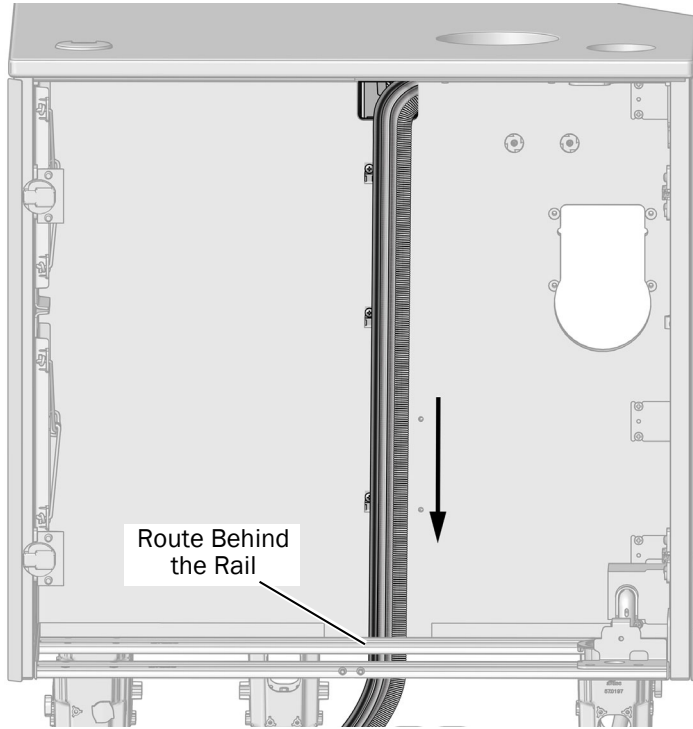
- 1** Place the delivery system upside down on a flat, secure surface.
- 2** Use a hex key to remove the two screws securing the cover to the delivery system, then remove the front cover. Keep the screws to reinstall the cover.



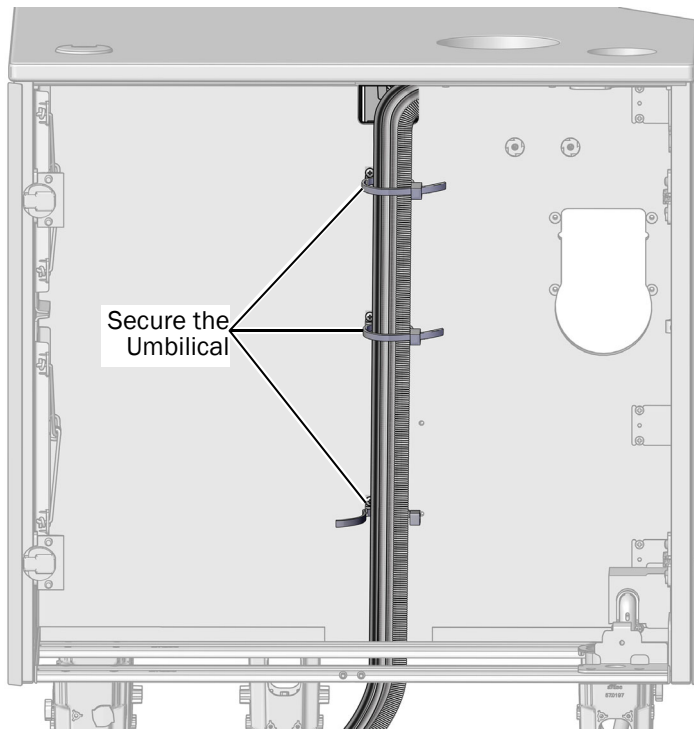
3 Route the delivery system umbilical, wires, data line, and vacuum line through the cutout in the front of the cabinet.



4 Use six 1/4"-20 x 3/4" mounting screws and a hex key to secure the delivery system to the cabinet.



- 5** Route the delivery system umbilical and vacuum line down the cabinet wall and between the wall and support rail to the space under the cabinet.



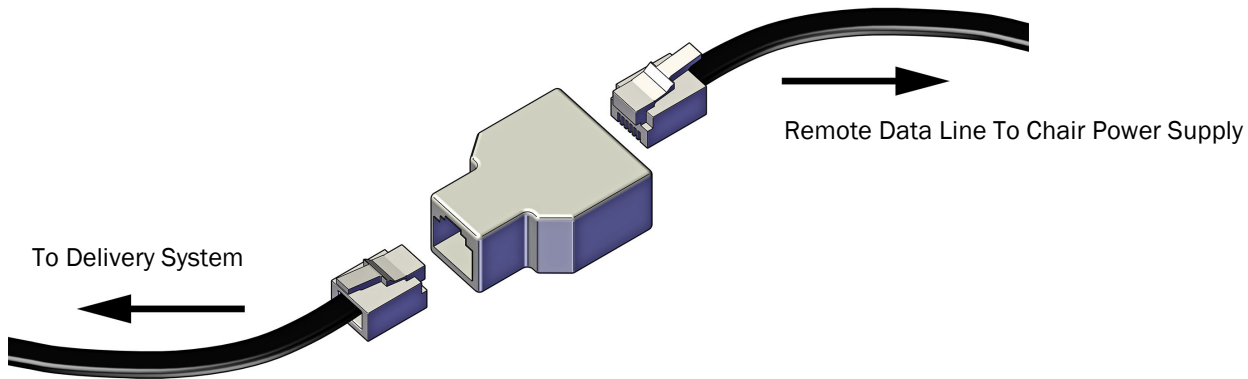
- 6** Use three cable ties to secure the umbilical and vacuum line to the brackets on the cabinet wall.

Connect the Data Line and Power Cables at the Cabinet

Connect the Data Line at the Cabinet



NOTE Skip this section if the system includes a 300 W stand-alone power supply. This section applies to systems with a Universal Power Supply, 511, and 311/411 power supplies only. If the system includes a 300 W power supply, go to “Connect the Power Cables to an A-dec 300 W Stand-Alone Power Supply” on page 7.



- 1 Insert the data line from the delivery system into the Y connector.
- 2 Insert the remote data line into the Y connector, then run it to the power supply at the chair.

Connect the Power Cables at the Cabinet



WARNING Failure to turn off or disconnect the power before you begin this procedure can lead to product damage and result in serious injury or death.

1. Turn off power to the system.

Complete the instructions for the system’s configuration:

Connect the Power Cables to an A-dec 300 W Stand-Alone Power Supply	7
Connect the Power Cables to Remote Power Cables	7

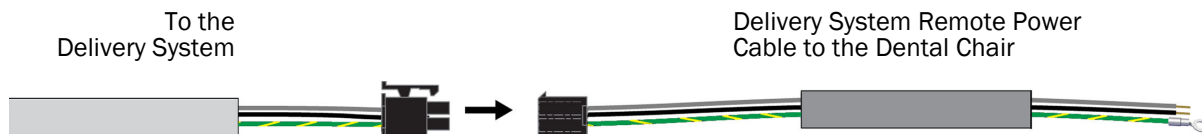
Connect the Power Cables to an A-dec 300 W Stand-Alone Power Supply



- 1 Connect the six-position connector from the delivery system to the power supply.

Next Step See “Connect the Tubing” on page 13.

Connect the Power Cables to Remote Power Cables



1. Connect the six-position connector from the delivery system to the connector on the remote power cable.
2. Route the remote power cable to the dental chair power supply.

Connect the Remote Power Cables and Data Line at the Dental Chair



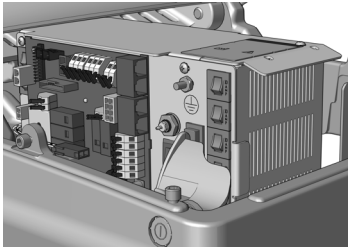
ATTENTION Circuit boards are sensitive to static electricity. Electrostatic Discharge (ESD) precautions are required when touching a circuit board or making connections to or from the circuit board. Circuit boards should be installed only by an electrician or qualified service person.



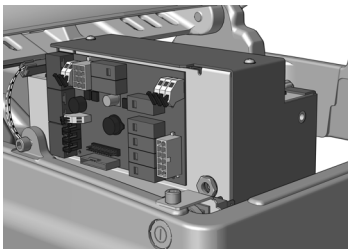
WARNING Failure to turn off or disconnect the power before you begin this procedure can lead to product damage and result in serious injury or death.

1. Turn off the power to the chair.

Complete the instructions for your system's configuration:



Connect the Remote Power Cables and Data Line to an A-dec Universal Power Supply Manufactured After June 2023 9



Connect the Remote Power Cables and Date Line to an A-dec 511 Power Supply Manufactured Before June 2023 10



Connect the Remote Power Cables and Date Line to an A-dec 311/411 Power Supply Manufactured Before June 2023 12

Connect the Remote Power Cables and Data Line to an A-dec Universal Power Supply Manufactured After June 2023

Recommended Tool

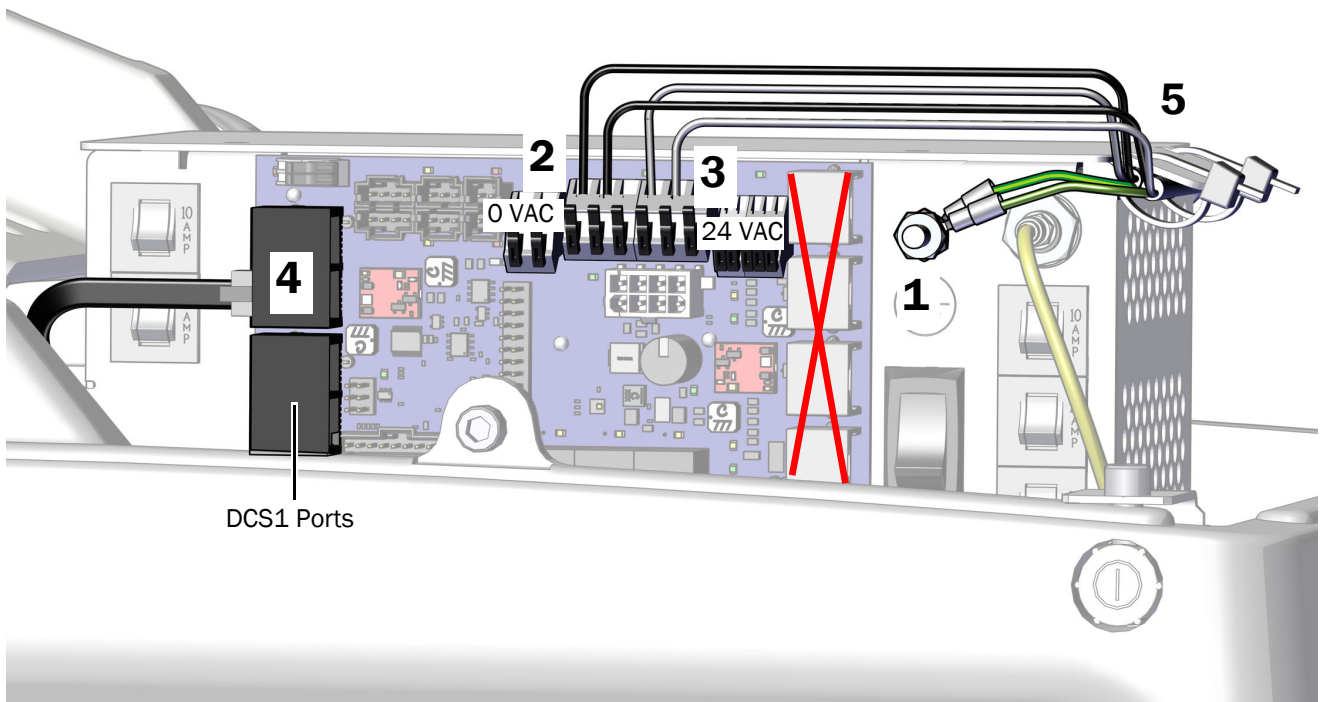
- 3/8" combination wrench

1. Attach the green/yellow ground wires from the remote power cables to the ground terminal.
2. Connect the black wires from the remote power cables to 0 VAC.
3. Connect the gray wires from the remote power cables to 24 VAC.



CAUTION Plugging the black DCS1 data line into a DCS2 port toward the toe of the chair can damage the product.

4. Plug the black data line from the delivery system into any DCS1 data port.
5. Once all of the electrical connections have been made for the system's modules, secure the wires under the lip on the power supply.



Next Step See "Connect the Tubing" on page 13.

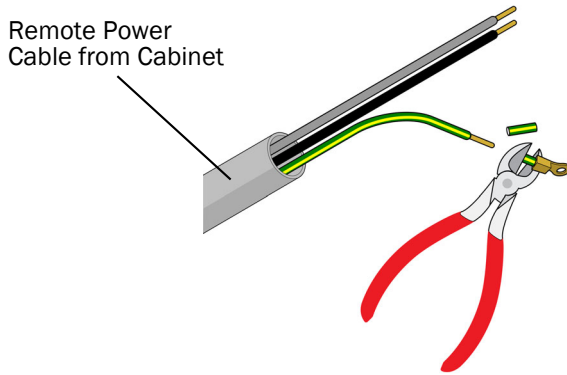
Connect the Remote Power Cables and Date Line to an A-dec 511 Power Supply Manufactured Before June 2023

Recommended Tools

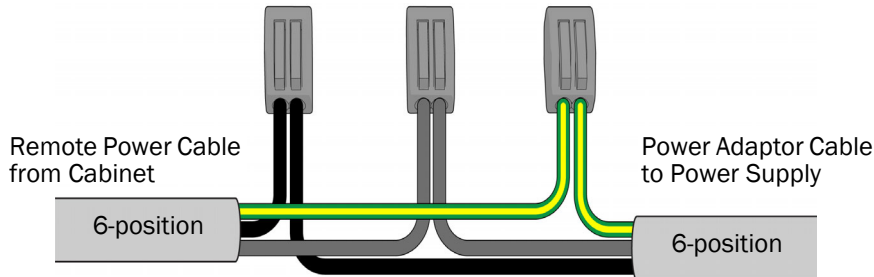
- Diagonal cutters
- Wire strippers

Task 1.

1. Cut the eyelet off of the green/yellow ground wire of the delivery system and assistant's instrumentation remote power cables and strip back the wires 3/8" (10 mm).

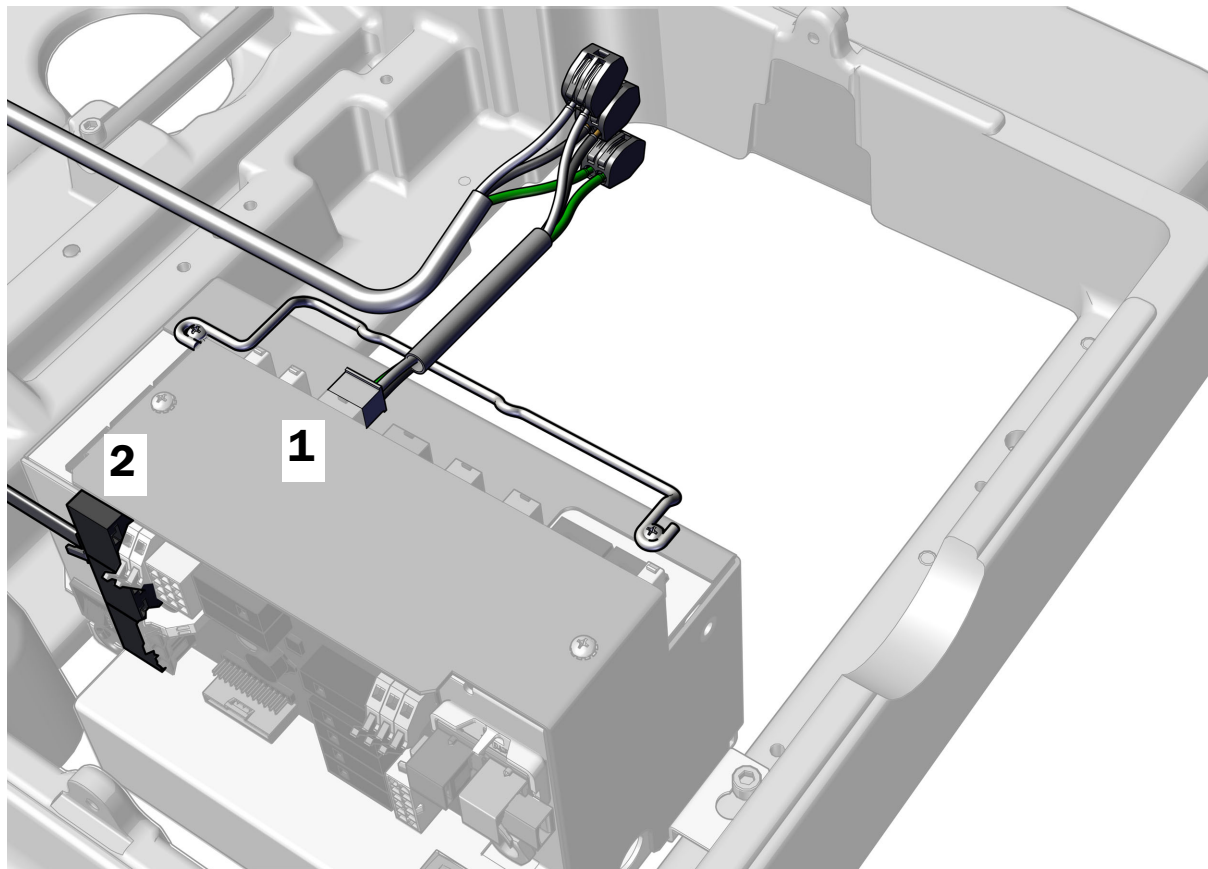


2. Use wire connectors to connect the remote power cable black wires, gray wires, and ground wires to a 6-position power adaptor cable, matching wire colors.



Task 2.

1. Plug in the six-position power adaptor cable.
2. Plug in the data line to any data port on the power supply.



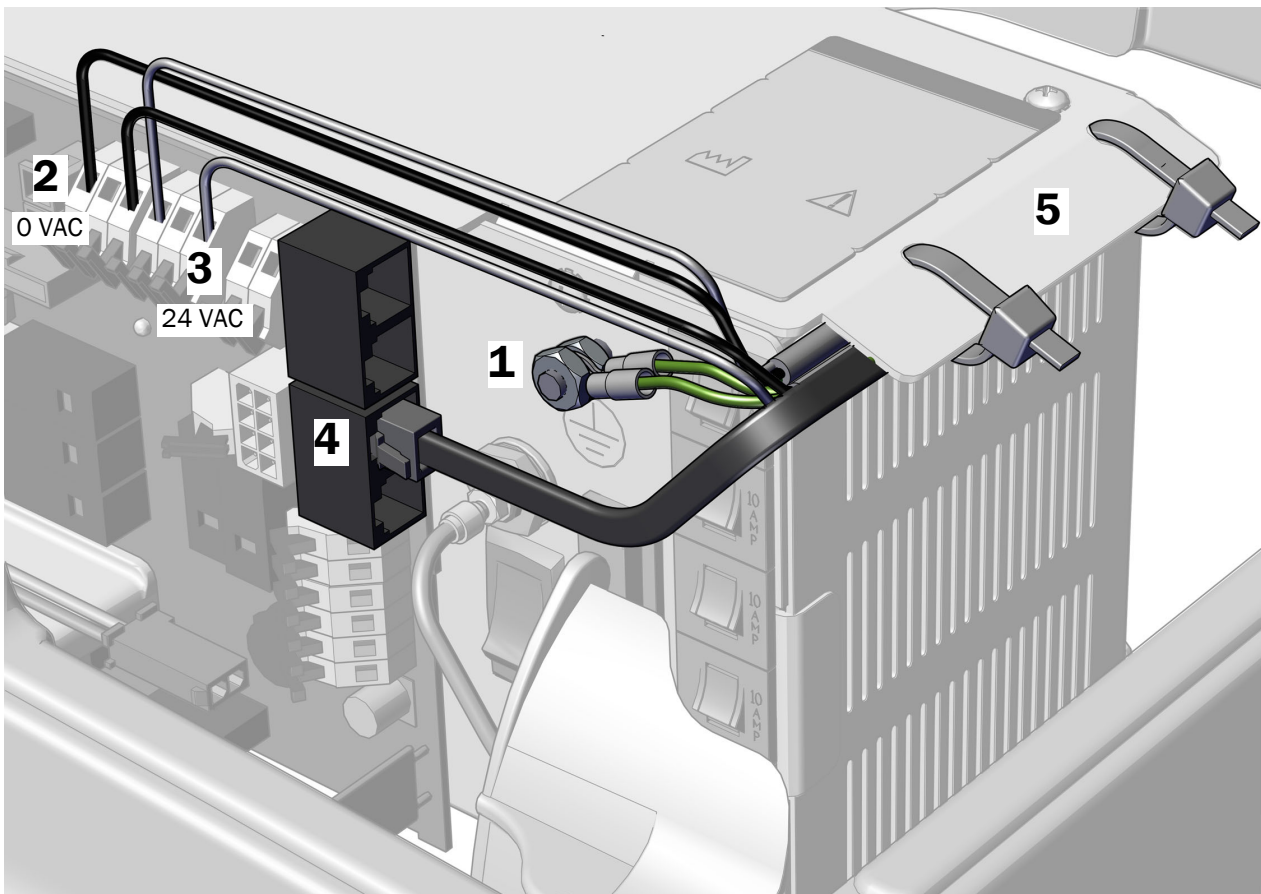
Next Step See “Connect the Tubing” on page 13.

Connect the Remote Power Cables and Date Line to an A-dec 311/411 Power Supply Manufactured Before June 2023

Recommended Tool

- 3/8" combination wrench

1. Attach the green/yellow ground wires from the remote power cables to the ground terminal.
2. Connect the black wires from the remote power cables to 0 VAC.
3. Connect the gray wires from the remote power cables to 24 VAC.
4. Plug the black DCS1 data line from the delivery system into one of the DCS1 data ports on the chair circuit board. It does not matter which port the data line plugs into.
5. Once all of the electrical connections have been made for the system's modules, use cable ties to secure the wires and data line under the lip.

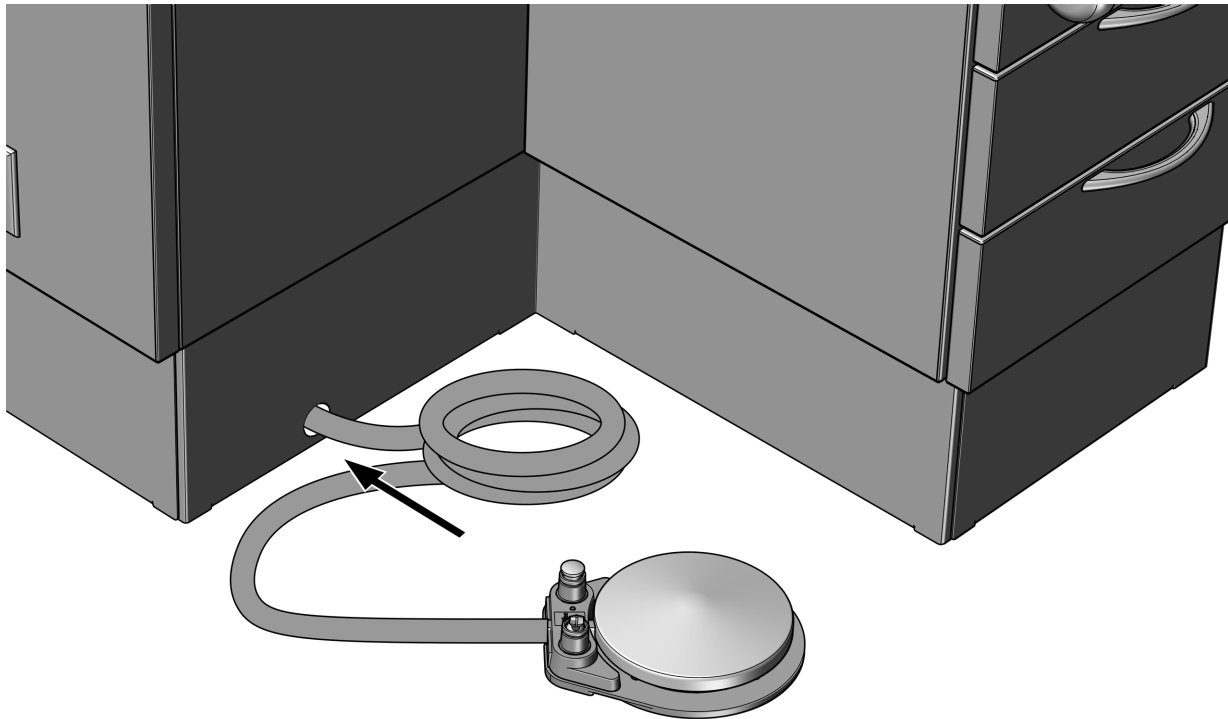


Connect the Tubing



READ THIS! Install the base cover below the delivery system before routing tubing. See the *A-dec Inspire 397 Specialty Workstation Installation Guide* (p/n 86.1084.00) for installation instructions.

Route the Foot Control Tubing



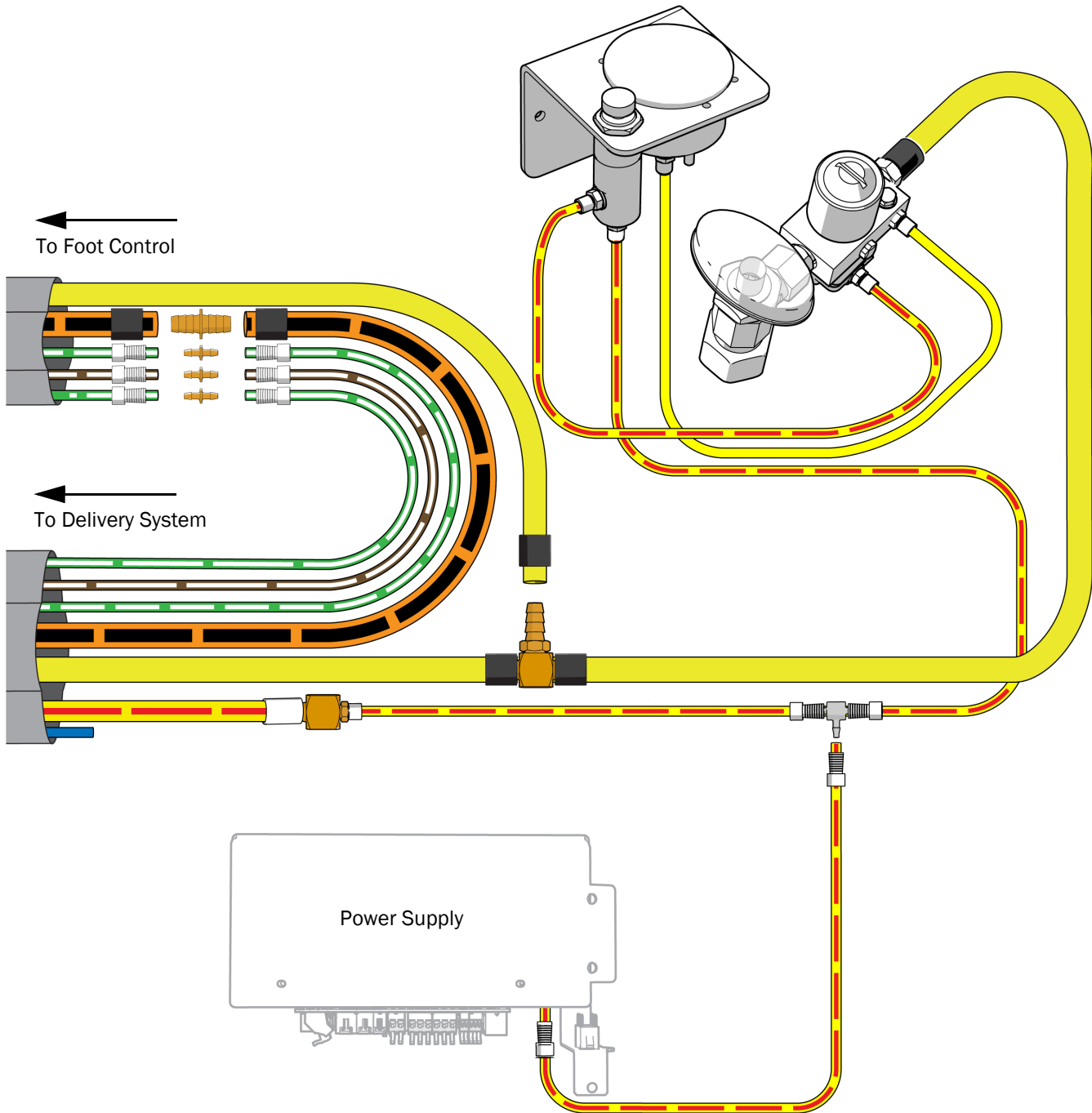
- 1** Route the foot control tubing through the hole in the base cover and into the cabinet.



NOTE A-dec provides sufficient tubing length for a remote mount foot control, but an extension may be needed.

Connect the Tubing

Connect the tubing according to the following flow diagram.



Prepare and Adjust the System

Install the Water Bottle



IMPORTANT A-dec recommends that the dental team perform a shock treatment on the dental unit waterlines before they use the system for the first time, and establish an ongoing waterline maintenance program. For more information, see the *Waterline Maintenance Guide* (p/n 85.0983.00) and *A-dec Self-Contained Water System Instructions For Use* (p/n 86.0609.00).



- 1** Apply A-dec silicone lubricant on the receptacle O-ring.
- 2** Push the water bottle up onto the water bottle receptacle and turn it to the right.

Adjust the Handpiece Drive Air Pressure

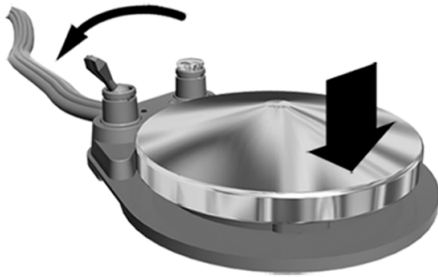
Recommended Tool

- Handpiece pressure gauge



NOTE Use a handpiece pressure gauge attached to the handpiece tubing for exact drive air measurement. One bar equals 14.5 psi.

1. Lift a handpiece from the holder and install a handpiece pressure gauge.
2. Flip the toggle to dry and step all the way down on the disc.

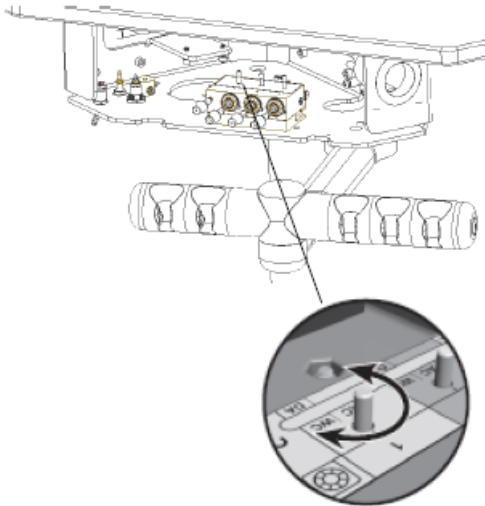


3. With the handpiece running, check the handpiece pressure gauge.



CAUTION Exceeding the manufacturer's recommended drive air pressure increases the risk of damage and may significantly decrease the life of your handpiece components. For the proper drive air pressure, see the handpiece manufacturer's Instructions for Use.

4. Inside the control head, adjust the drive air pressure to meet the manufacturer's specifications. Turn the stem clockwise to decrease pressure.



Prepare the Delivery System

Recommended Tool

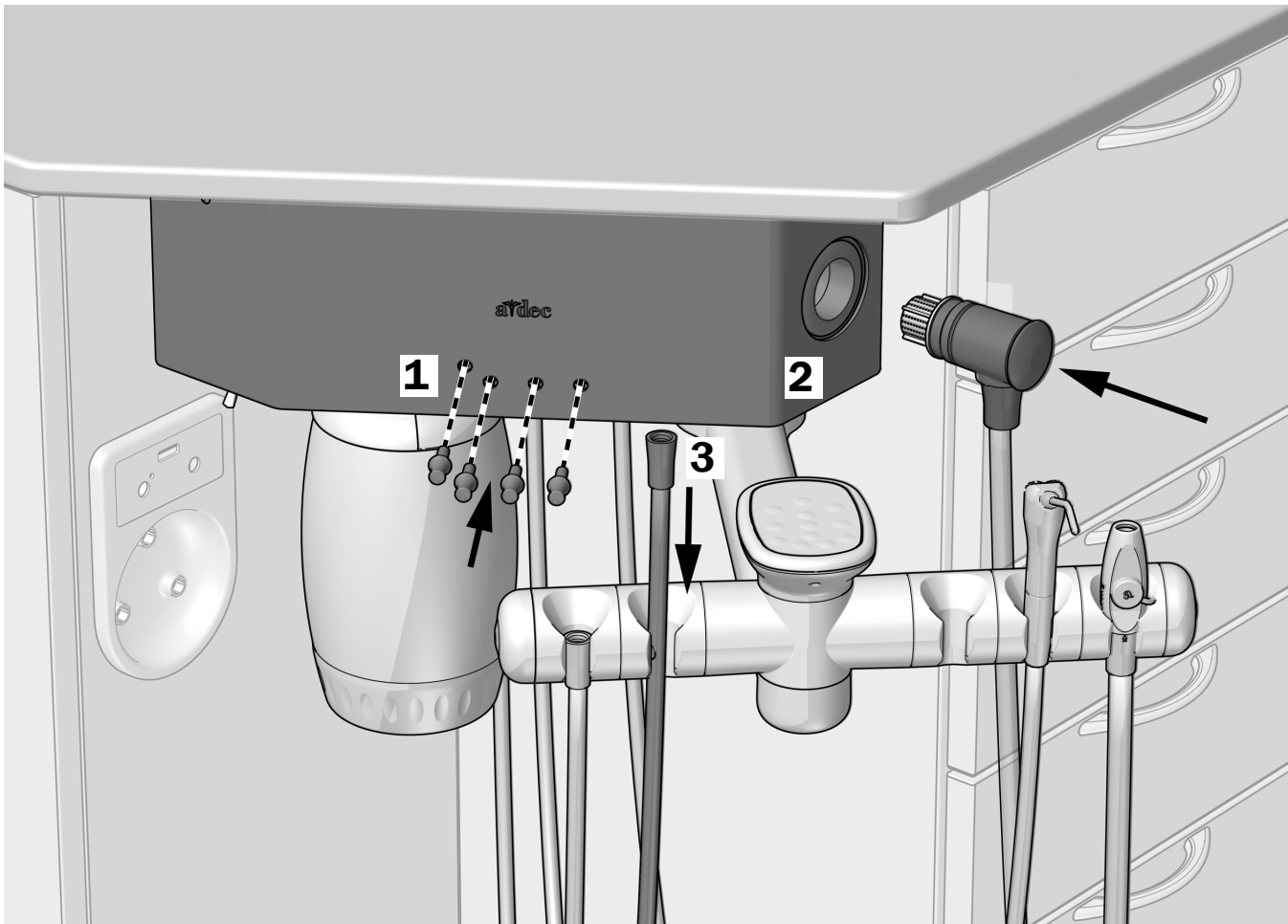
- 1/8" Hex key

Task 1.



- 1** Use a hex key and two screws to install the front cover.

Task 2.



- 1** Install the adjustment keys and make sure they are fully seated.
- 2** Install the HVE vacuum cannister and filter screen.
- 3** Place the handpiece, HVE, and syringe tubing in the instrument holder.

Customize Touch Control Settings

There are no delivery system controls to set up or customize with a standard touchpad.

Test the System

After you have completed the installation, use the following checklist to test the delivery system; then follow up with the customer.

Delivery System

- The handpieces function properly and are set to the doctor's preferences:
 - Water coolant, air coolant, and spray.
 - Handpiece tubing flush.
 - Handpiece holder valves and switches.
 - Handpiece drive air pressure.
- Foot control operates properly.

Utilities

- Regulated air pressure to the delivery system is at 80 psi (552 kPa).
- If the system includes a floor box, it is free of air and water leaks.
- Tubing and connections are not kinked and are free of air and water leaks.
- Excess tubing and wires are coiled and stored away from moving parts.

Regulatory Information and Warranty

For required regulatory information and the A-dec warranty, see the *Regulatory Information, Specifications, and Warranty* document (p/n 86.0221.00) available in the Resource Center at www.a-dec.com.



For quick access to this document online, scan, tap, or click this QR code, which points to a-dec.com/regulatory-guide.

All trademarks cited herein are trademarks or registered trademarks of A-dec, Inc. in the United States and may also be trademarks or registered trademarks in other countries.



A-dec Headquarters

2601 Crestview Drive
Newberg, OR 97132 USA
Tel: 1.800.547.1883 Within USA/CAN
Tel: +1.503.538.7478 Outside USA/CAN
www.a-dec.com

A-dec, Inc. makes no warranty of any kind with regard to the content in this document including, but not limited to, the implied warranties of merchantability and fitness for a particular purpose.

