

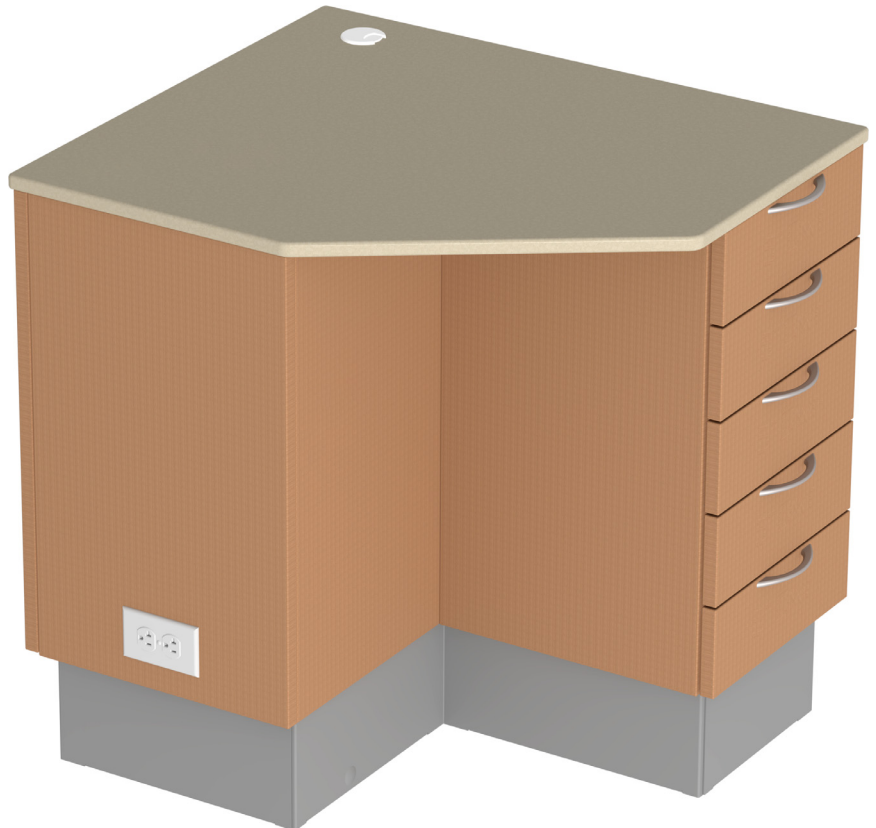


A-dec Inspire[®] 397 Specialty Cabinet

INSTALLATION GUIDE

Contents

Before You Begin	2
Unpack the Cabinet	3
Level the Cabinet	6
Anchor the Cabinet	9
Connect the Wires	12
Install the False Bottoms ..	13
Install and Adjust the Doors	14
Install and Adjust the Drawers	17
Install the Base Covers	19
Test the Cabinet	20
Regulatory Information and Warranty	20

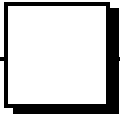


A-dec Inspire 397 – 24" Specialty Cabinet Shown

Product Models and Versions Covered in This Document*

Models	Versions	Description
397	A	Dental Furniture

**Some product models, versions, and options in this document may not be available in certain regions.*



Before You Begin

- Clear the room of all debris and thoroughly clean the floors.
- Verify that manual air shut-off is installed.
- Purge any debris from the air line.
- Check with local building and code authorities about installation requirements specific to your location.

Recommended Tools

- Phillips head screwdriver
- #2 Pozidriv® screwdriver
- Dollies (at least 2 per cabinet)
- Drill
- 10" long 3/8" bit
- Four-foot level
- 5/16", 7/16", and 9/16" 6-point sockets and ratchet, with 6" locking extension
- 1/2" dowel

Important Information



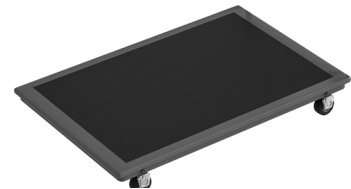
NOTE Information that is critical to a successful installation is shaded like this note throughout the guide.



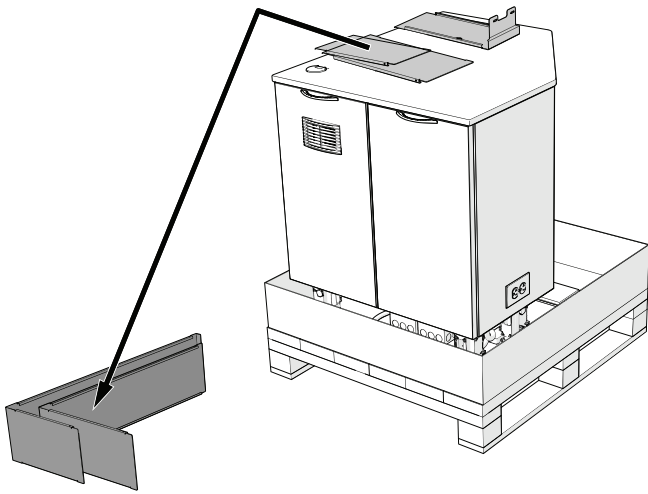
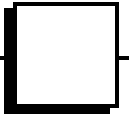
WARNING Two people should install this cabinet to avoid personal injury.



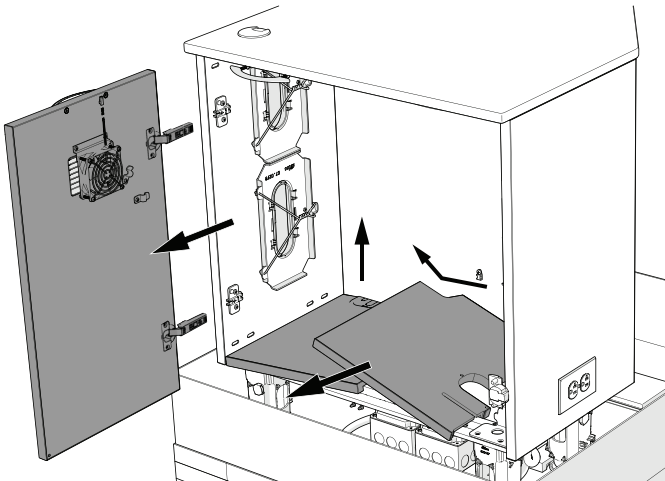
NOTE A-dec recommends using only solid-top dollies when moving A-dec Inspire cabinets.



Unpack the Cabinet



1 Remove the items from the top of the cabinet.

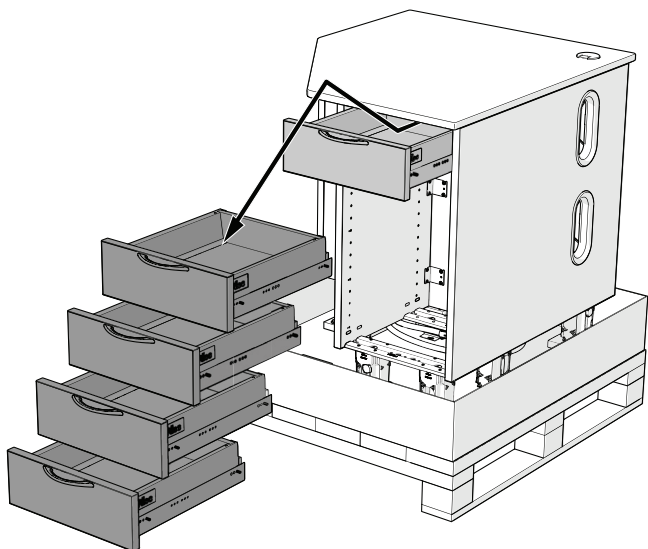


2 To remove the doors, pull on the release at the back of the hinge.

3 Remove the false bottoms.

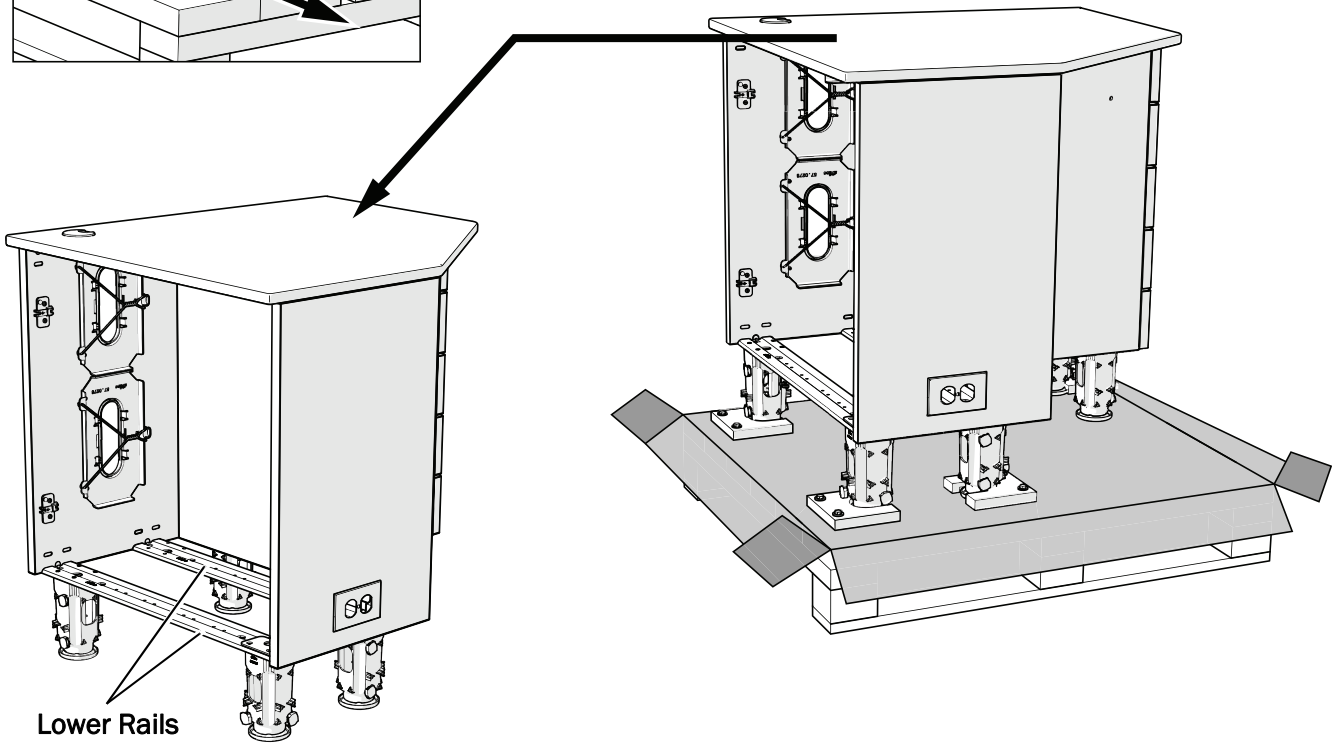
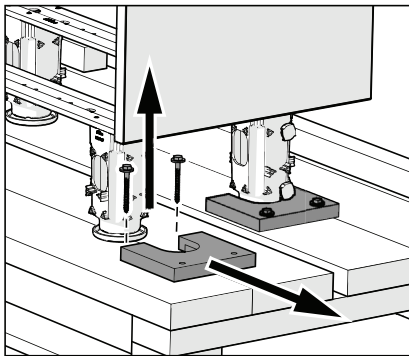


TIP Make note of the installed location of each item to help with reinstallation.



4 Remove the storage drawers.

- 1 Pull the drawer out to the stop.
- 2 Lift the front of the drawer, pull out, then down.

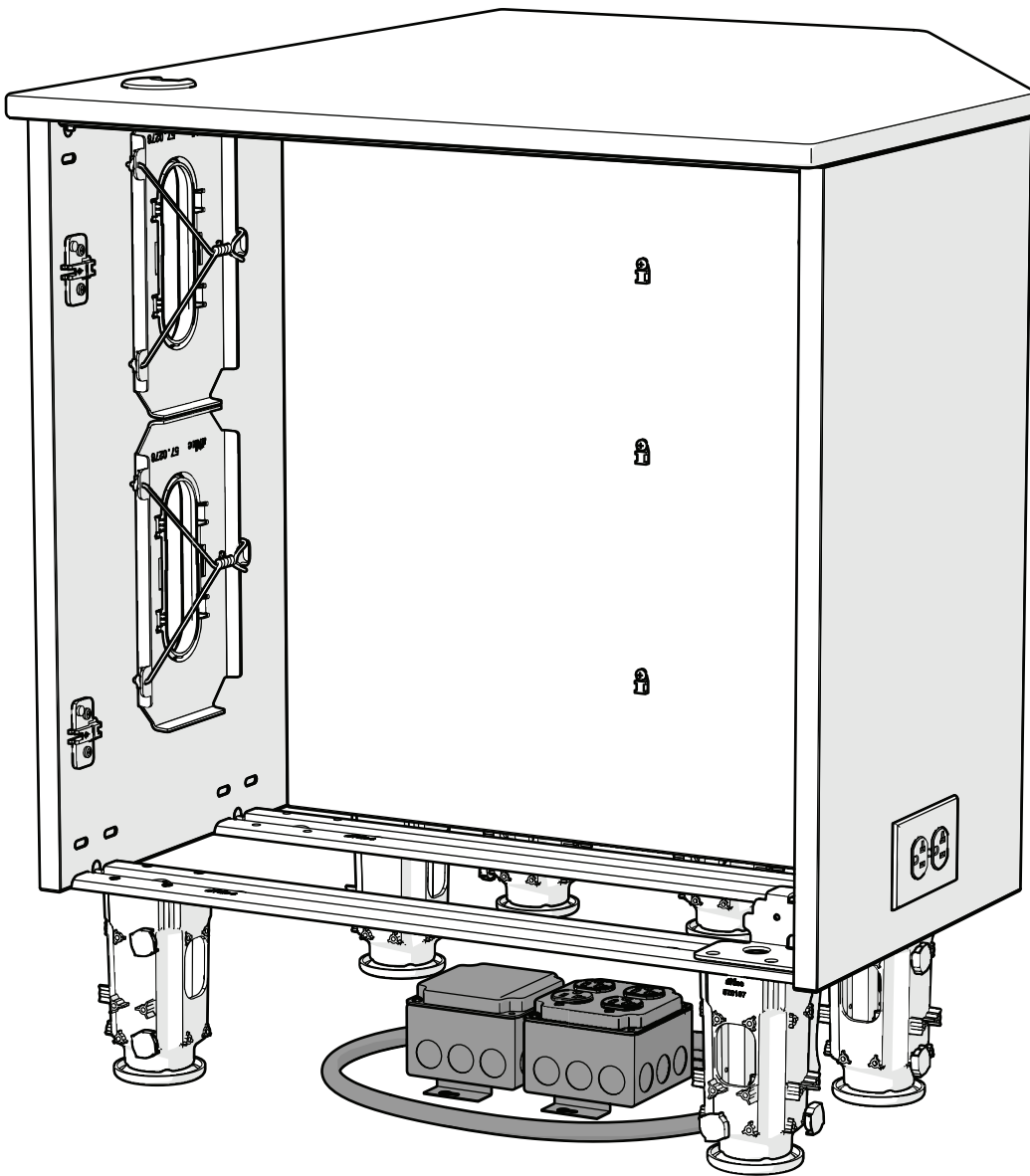
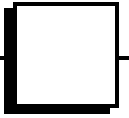


- 5 Use a 7/16" socket and ratchet to remove the anchors securing the cabinet to the pallet. Lift and pull the anchors to remove them from the feet. Discard all anchors. Do not reuse anchors to secure the cabinets to the floor.



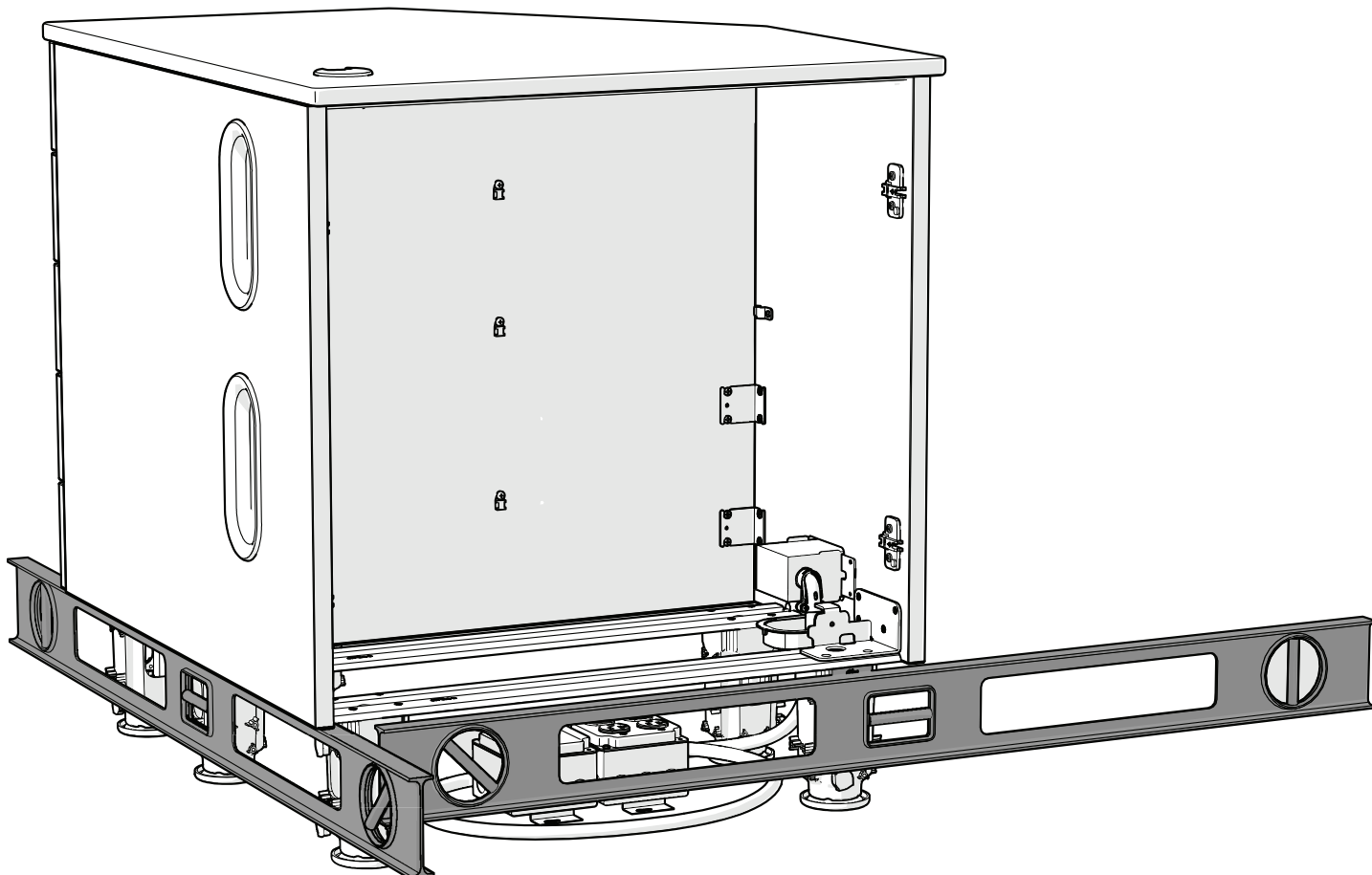
WARNING Do not lift by the countertop. Due to the weight of larger configurations, more than two people are needed to safely move the cabinet from the pallet.

- 6 Lifting by the lower rails, remove the cabinet from the pallet.



- 7** Unwrap the quad box and position it on the floor near the electrical stub up. Ensure the conduit is not wrapped around or protruding beyond any feet.

Level the Cabinet

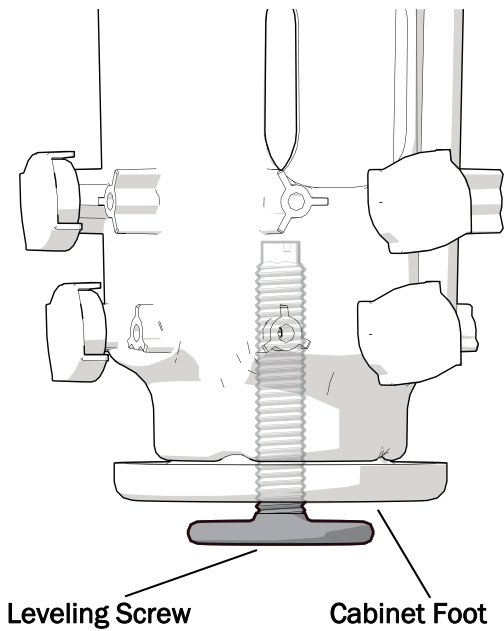
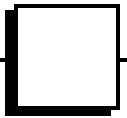


READ THIS! Read all of the next three pages before beginning the leveling procedure.

- 1** Use a four-foot level on the floor to identify the high point of the floor by the cabinet, for both side to side and front to back.



TIP For a frame of reference while leveling, mark the high spot on the floor with a piece of tape.



CAUTION When adjusting the leveling screw, be sure to use a 6 point socket. 12 point sockets can damage the screws.



CAUTION To maintain the complete look and functionality of the cabinet, do not raise the cabinet more than 3/4" (19 mm).

- 2** Starting at the ends of the cabinet, use a 5/16" socket and ratchet (with extension) to adjust the leveling screws as needed.

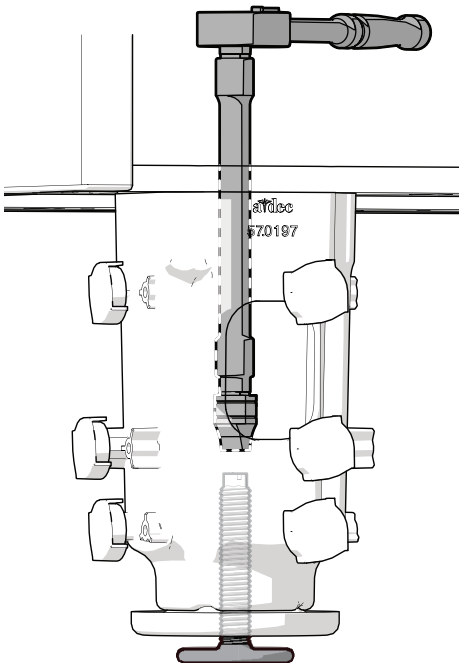


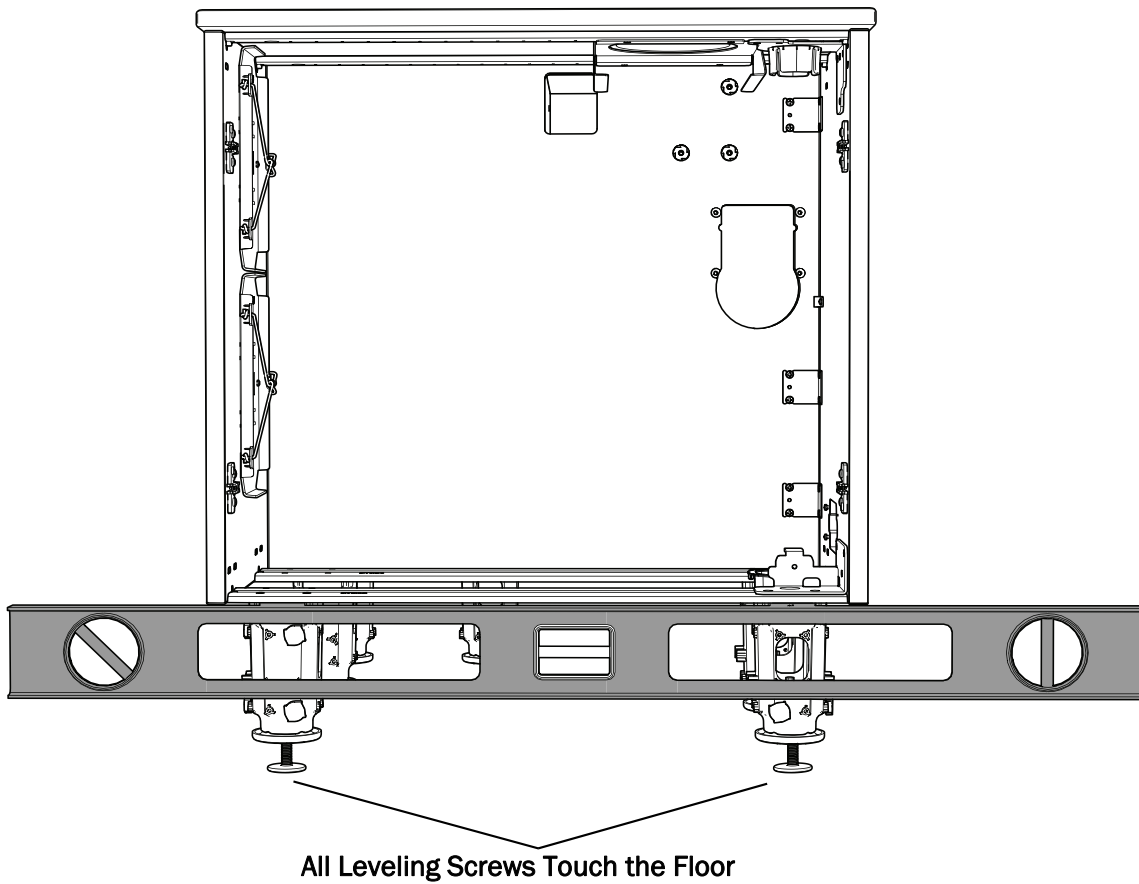
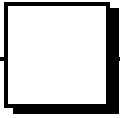
NOTE Extend the leveling screw to raise the cabinet.

- 3** Work from side to side and end to end. Adjust the leveling screws to raise cabinet sections until they are even with the high point and the entire cabinet is level.



NOTE Continue to alternate side to side and end to end adjustments during the entire leveling process.





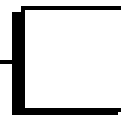
4 Use a level on the bottom edges of the side panels to make sure the cabinet is level.

5 Make sure all of the leveling screws are touching the floor.

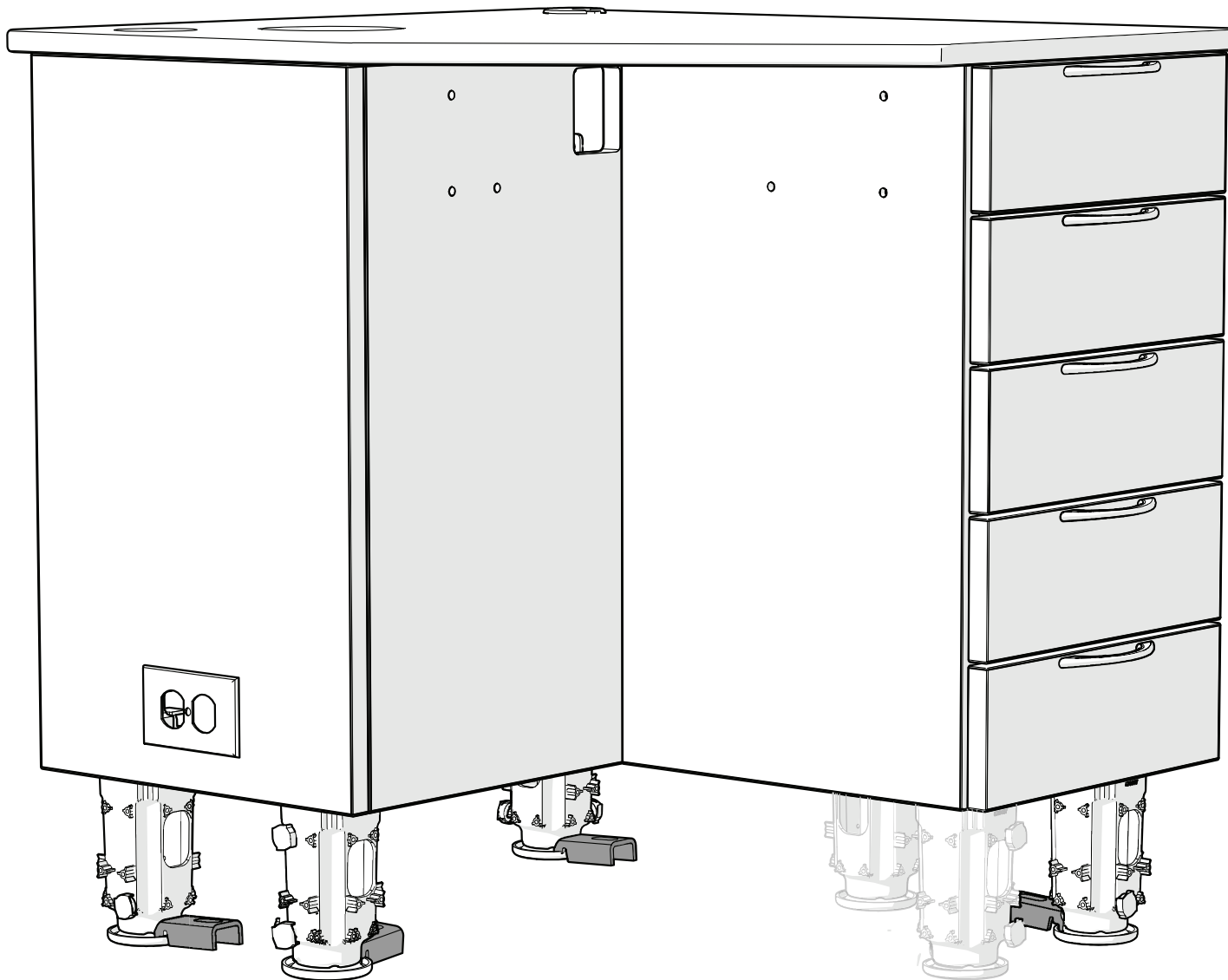


TIP To check that the leveling screw is touching the floor, try to slide a piece of paper under it.

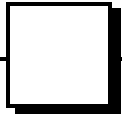
Anchor the Cabinet



Determine the Anchor Locations



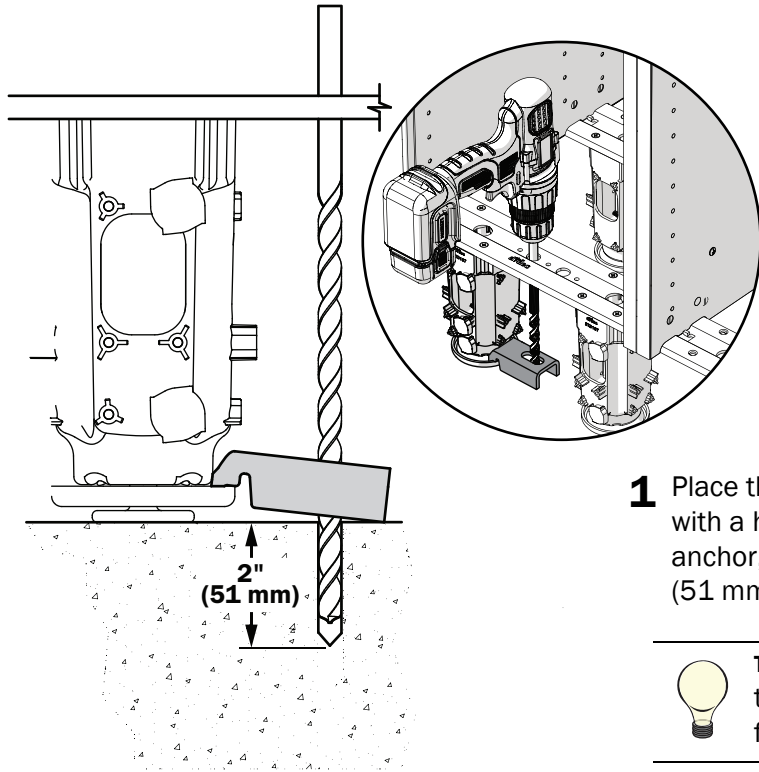
- 1** Place two anchors on the feet nearest the chair and two anchors on the feet in the corners on the side opposite of the chair.



Secure the Anchors

At each anchor location, complete the steps in the section for the type of floor. See the next page for wood floors.

Concrete Floors



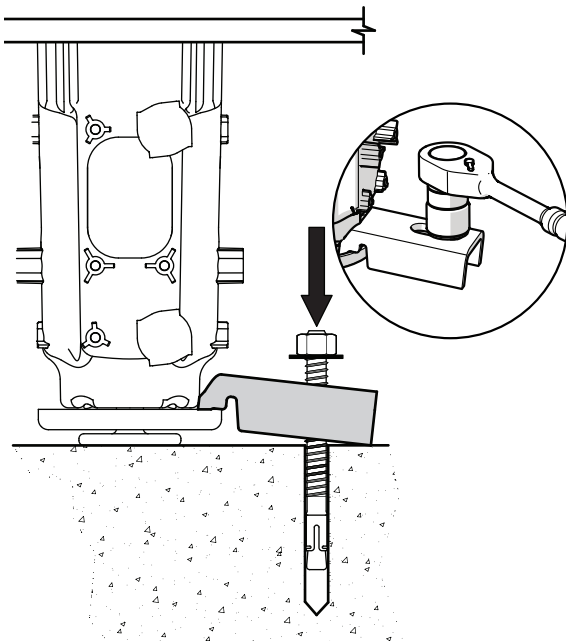
CAUTION If the flooring material is not at least 4" (101.6 mm) thick, consult a licensed contractor about adding reinforcement to the flooring.

- 1** Place the anchor on the foot or support column and align it with a hole in the rail. Through the holes in the rail and anchor, use a 10" long 3/8" bit to drill a hole a minimum of 2" (51 mm) deep.



TIP If you need to place the anchor in a location other than beneath the rail hole, position the anchor on the foot and use it as a template for drilling the hole.

- 2** Clear the hole of all debris.

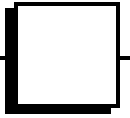


- 3** Place the washer and nut on the anchor bolt, then insert the bolt through the anchor into the hole.
- 4** Drive the bolt into the hole until the washer is touching the anchor.

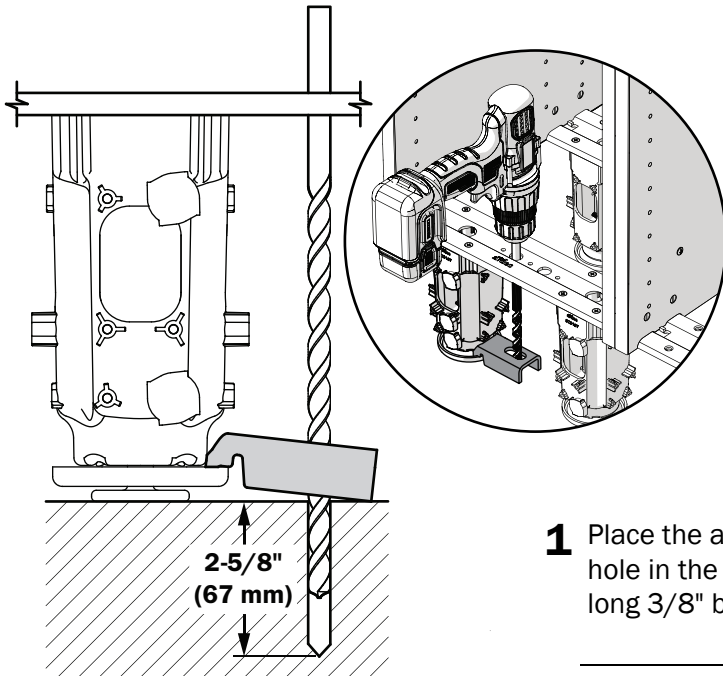


TIP Use a 1/2" (12.7 mm) dowel to help drive the anchor.

- 5** Use a 9/16" socket and ratchet to tighten the nut until it is snug against the anchor.



Wood Floors

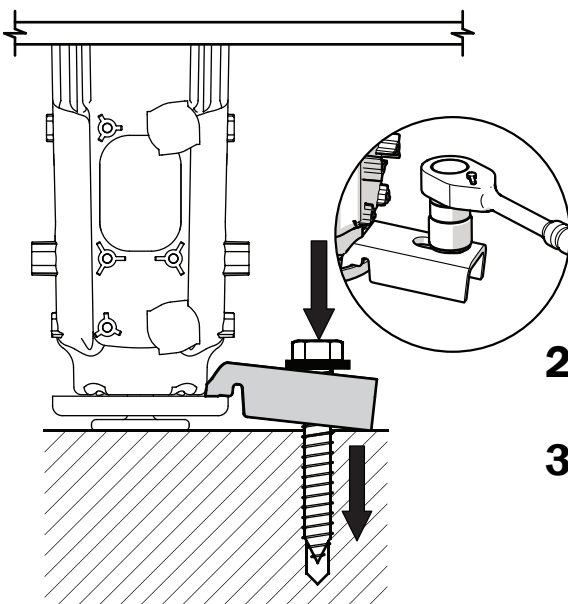


CAUTION If the flooring material is not at least 3" (76.2 mm) thick, consult a licensed contractor about adding reinforcement to the flooring.

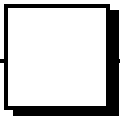
- 1 Place the anchor on the foot or support column and align it with a hole in the rail. Through the holes in the rail and anchor, use a 10" long 3/8" bit to drill a hole a minimum of 2-5/8" (67 mm) deep.



TIP If you need to place the anchor in a location other than beneath the rail hole, position the anchor on the foot and use it as a template for drilling the hole.



- 2 Place the washer on the anchor bolt, then insert the bolt through the anchor into the hole.
- 3 Use a 3/4" socket and ratchet to tighten the bolt until it is snug against the washer and firmly secures the cabinet to the floor.

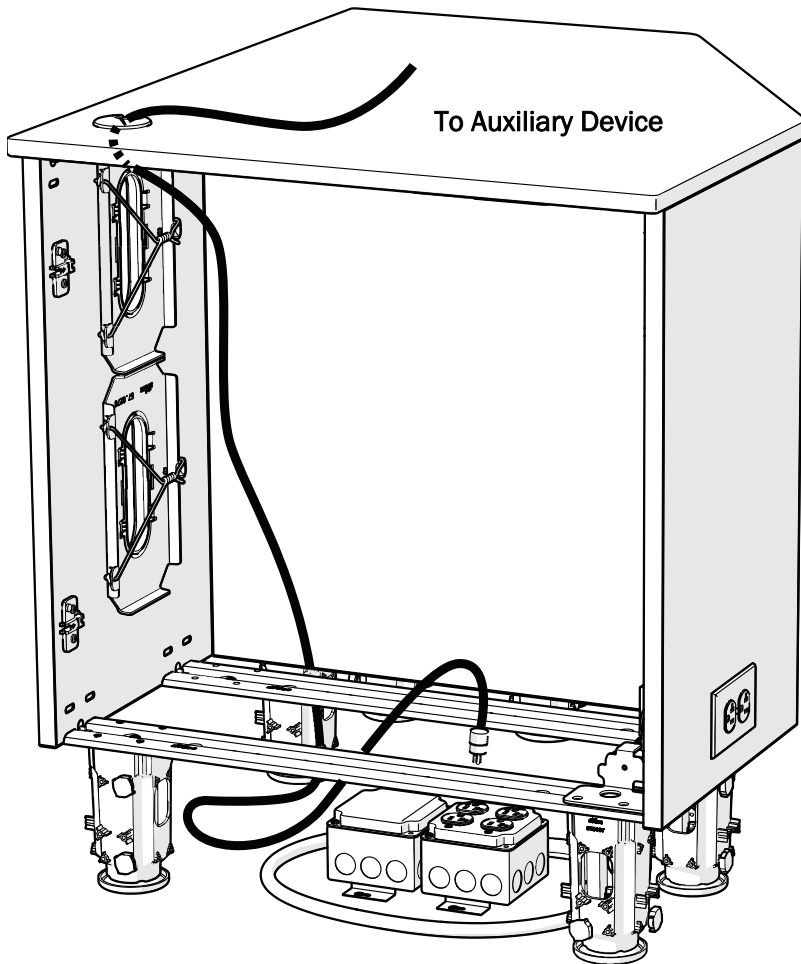


Connect the Wires



CAUTION A licensed electrician or other qualified personnel is required to connect the quad box per local codes and regulations.

- 1 Make the electrical connections. Refer to the *A-dec Inspire 397 Specialty Cabinet and Related Modules Pre-Installation Guide* (p/n 86.1101.00).

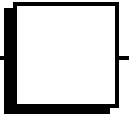


- 2 If the system includes auxiliary devices, route the power cords and data lines through the cord drops in the worksurface and false bottom to connect to the duplex outlets in the quad box.



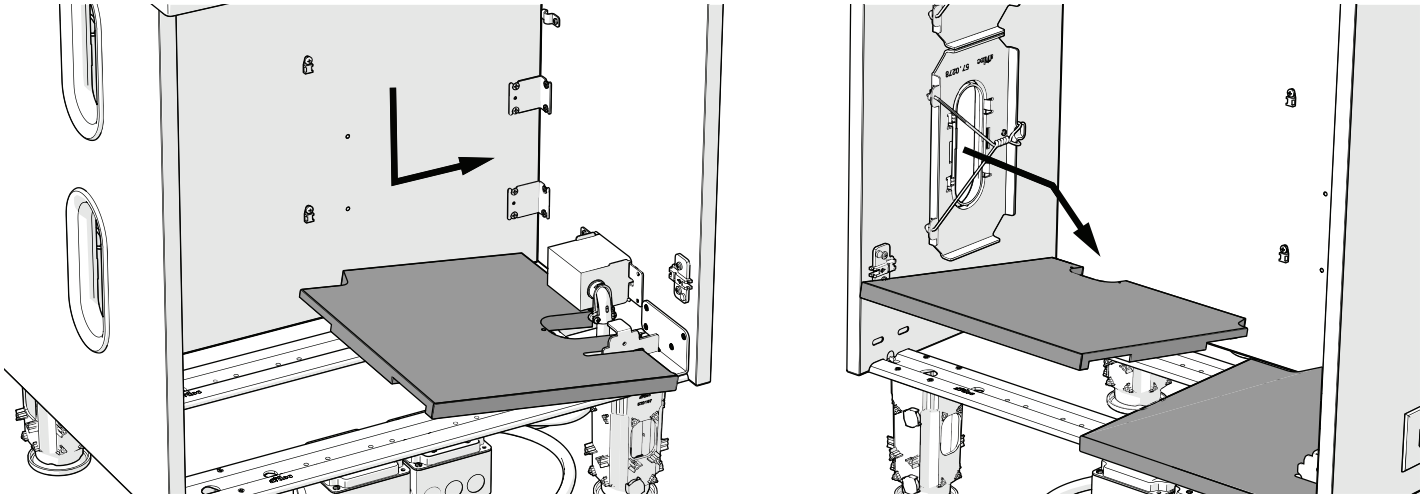
TIP The receptacles include a tamper-proof shutter to prevent unwanted articles from entering the receptacle. Apply equal pressure on each tine to slide open the shutter when inserting the plug. If you experience resistance entering the receptacle, gently rock the plug back and forth to open the shutter.

Install the False Bottoms



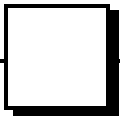
Install the False Bottoms

Install the modules for the system's configuration before you install the false bottoms. See the instructions that ship with the modules.



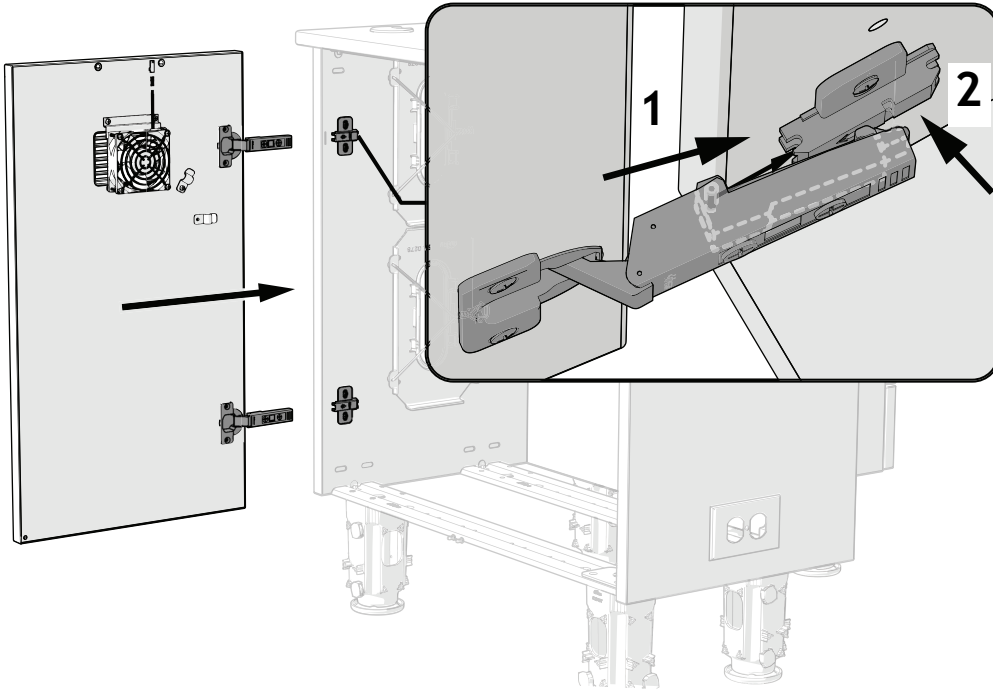
1 Place the right false bottom.

2 Place the left false bottom. If the system includes a light or monitor mount, remove the cap for the hole to route their wires.

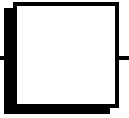


Install and Adjust the Doors

Install the Doors



- 1** Insert the door hinge onto the front catch of the hinge mounting plates.
- 2** To lock the hinge in place, press the back of the hinge onto the hinge plate.



Adjust the Doors

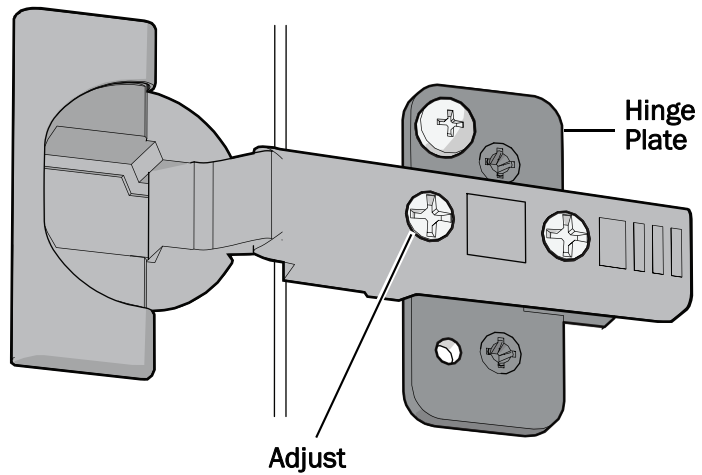
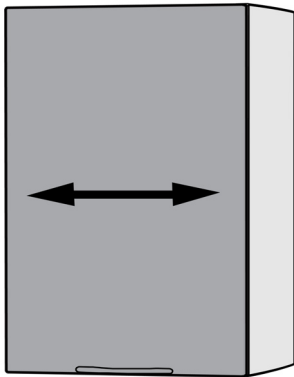
Recommended Tool

- #2 Pozidriv screwdriver

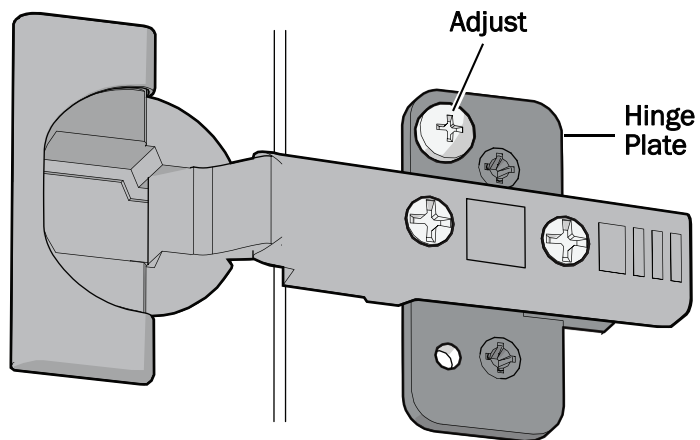
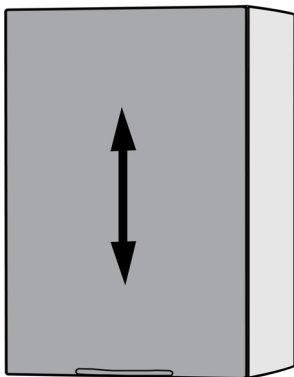


CAUTION To avoid damaging the screws, use a #2 Pozidriv screwdriver to adjust the door hinge screws.

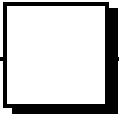
Side to Side



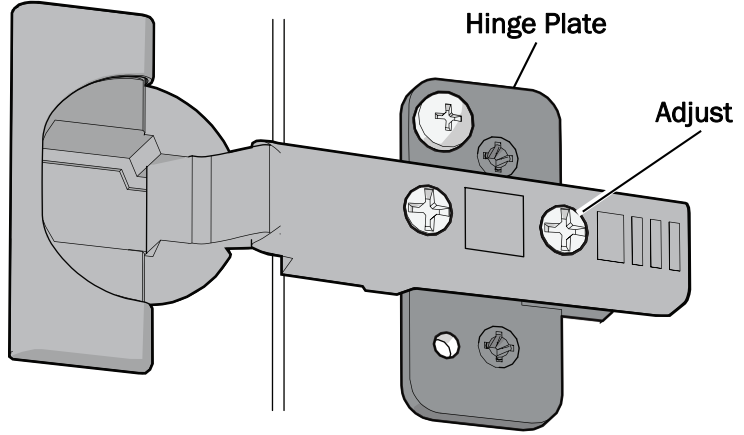
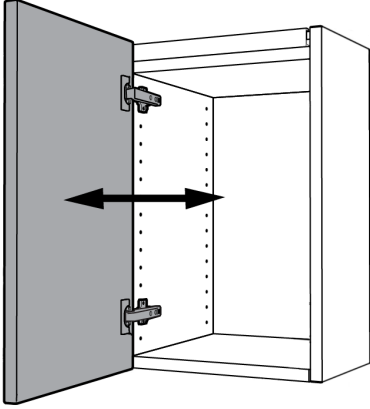
Up and Down



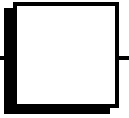
NOTE The screw on the hinge plate may be at the top or bottom, depending on the door.



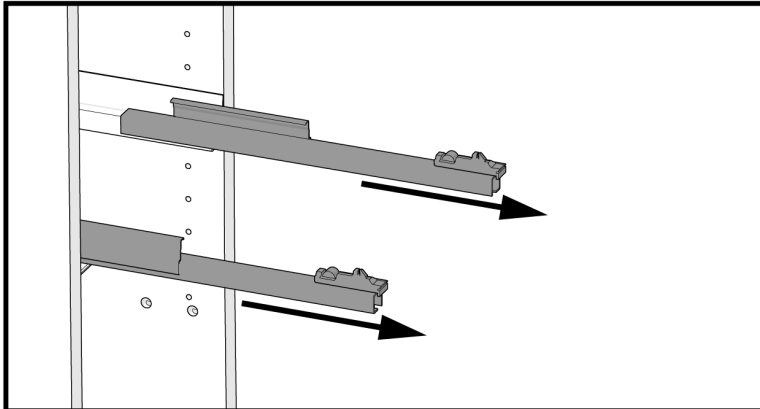
Back to Front



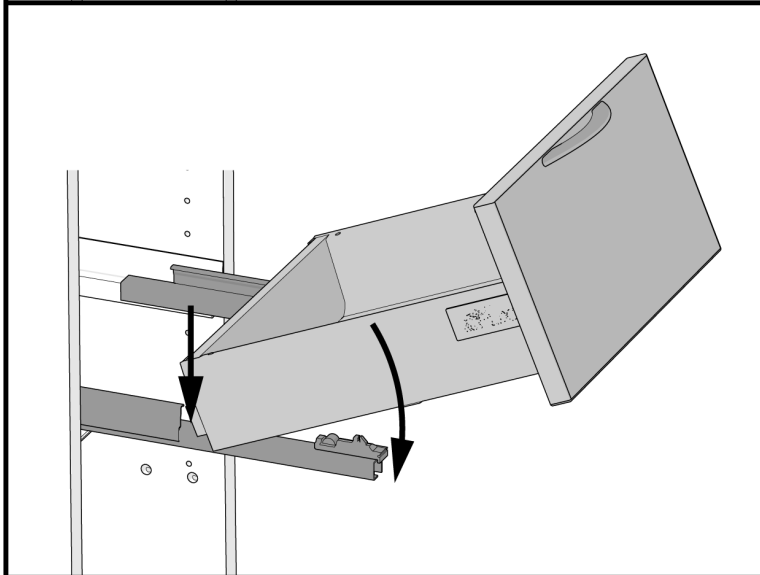
Install and Adjust the Drawers



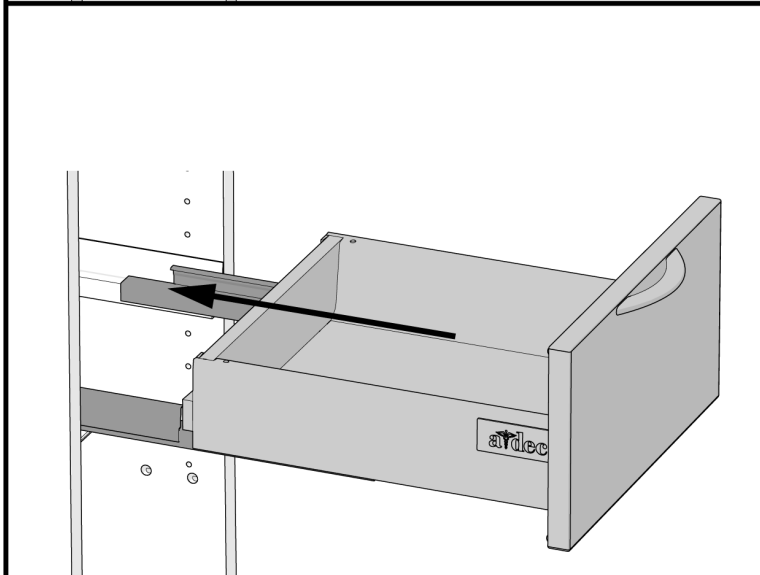
Install the Drawers



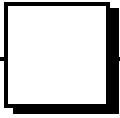
1 Pull out the drawer slides.



2 Place the drawer aligned with the extended slides then insert the drawer onto the slides.



3 Push the drawer in and ensure that it is engaged with both slides. Confirm the drawer moves smoothly through its full range of motion.

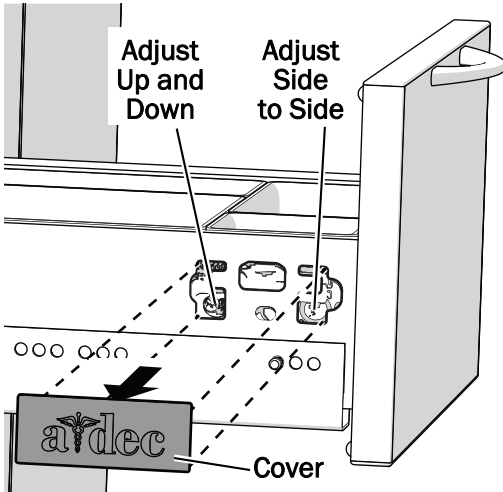


Adjust the Drawer Faces

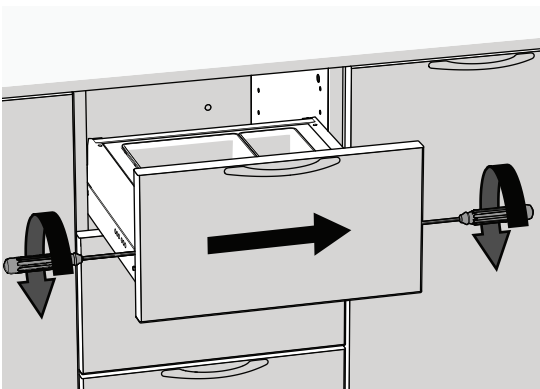
Adjust the face of the drawers to align them properly.



CAUTION To avoid damaging the screws, use a #2 Pozidriv screwdriver to adjust the screws that move the drawer faces.



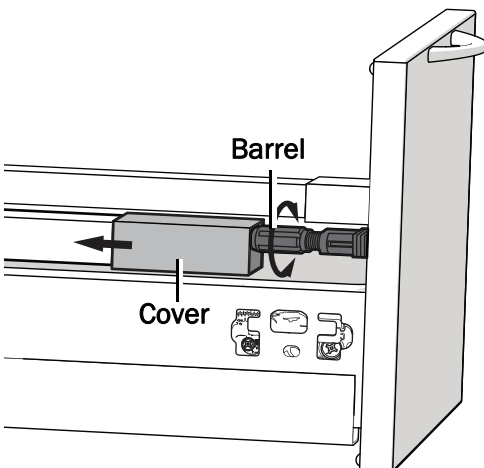
- 1** Remove the covers on both sides of the drawer.
- 2 Up and Down:** On both sides, adjust the screws closest to the back of the drawer.



- 3 Side to Side:** On both sides, adjust the screws closest to the face of the drawer. Make sure to move both screws in equal increments. The direction shown moves the drawer face to the right.

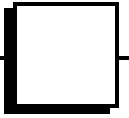


TIP Use two screwdrivers at the same time to move the face more easily.



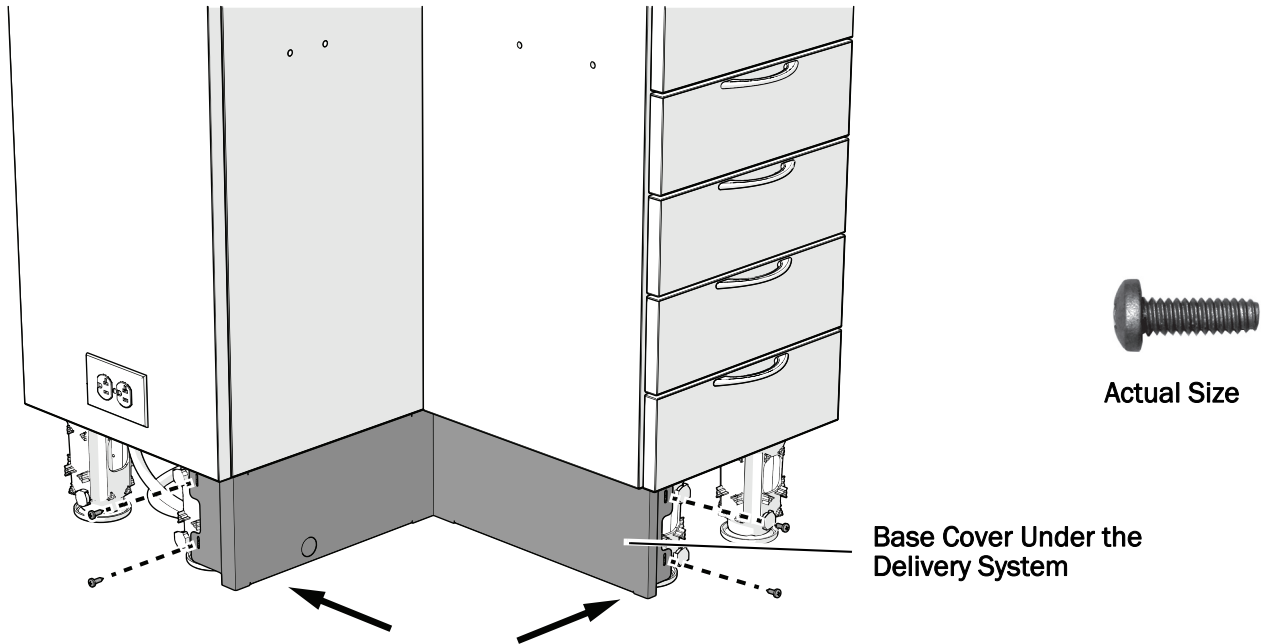
- 4 Front to Back Tilt (Gallery Rails only)** - Slide the covers and rotate the barrels.

Install the Base Covers

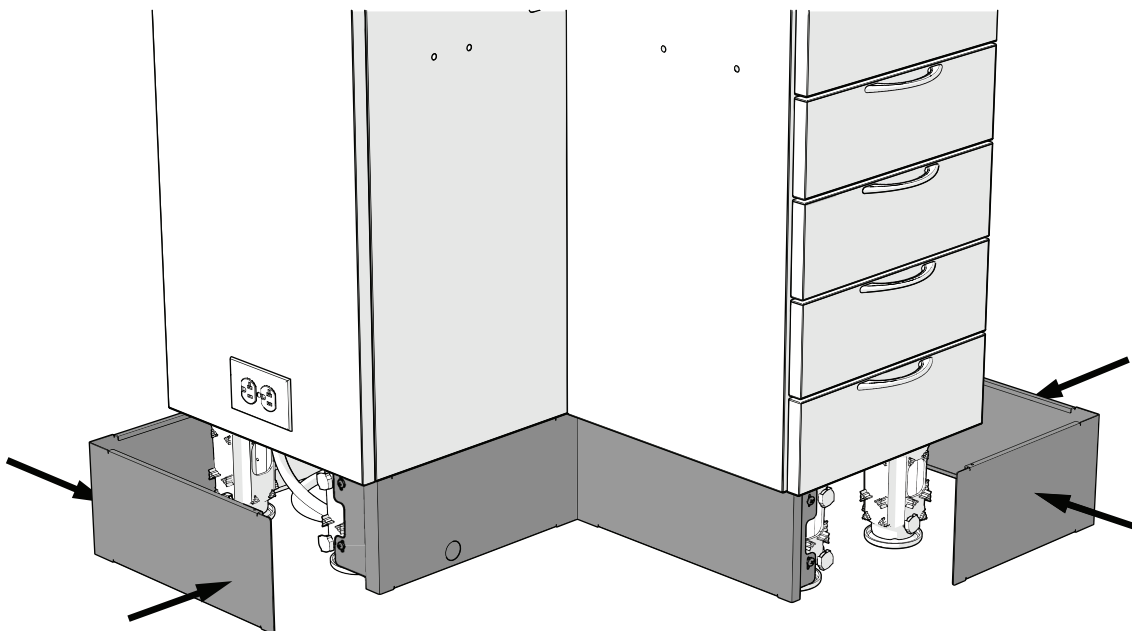


Recommended Tool

- Phillips head screwdriver



- 1** Use a Phillips head screwdriver and four screws to install the base cover under the delivery system.



- 2** Place the remaining base covers over the magnets to hold them in position.



Test the Cabinet

After you have completed the installation, use the *A-dec Dental Furniture Installation Checklist* (p/n 86.0624.00) to test the cabinet. The checklist ships with the product.

Regulatory Information and Warranty

For required regulatory information and the A-dec warranty, see the *Regulatory Information, Specifications, and Warranty* document (p/n 86.0221.00) available in the Resource Center at www.a-dec.com.



For quick access to this document online, scan, tap, or click this QR code, which points to a-dec.com/regulatory-guide.

Pozidriv is a registered trademark of Phillips Screw Company. All other trademarks cited herein are registered trademarks or trademarks of A-dec, Inc. in the United States and may also be trademarks or registered trademarks in other countries.



A-dec Headquarters

2601 Crestview Drive
Newberg, OR 97132 USA
Tel: 1.800.547.1883 Within USA/CAN
Tel: +1.503.538.7478 Outside USA/CAN
www.a-dec.com

A-dec, Inc. makes no warranty of any kind with regard to the content in this document including, but not limited to, the implied warranties of merchantability and fitness for a particular purpose.



86.1084.00 Rev A
Date of Issue 2024-02-28
Copyright 2024 A-dec, Inc.
All rights reserved.
IG_idf8