

Product Models and Versions Covered in This Document

Models	Versions	Description
532/533	B	Delivery Systems

A-dec Headquarters
 2601 Crestview Drive
 Newberg, OR 97132 USA
 Tel: 1.800.547.1883 Within USA/Canada
 Tel: 1.503.538.7478 Outside USA/Canada
 Fax: 1.503.538.0276
 www.a-dec.com

A-dec Inc. makes no warranty of any kind with regard to the content in this document including, but not limited to, the implied warranties of merchantability and fitness for a particular purpose.

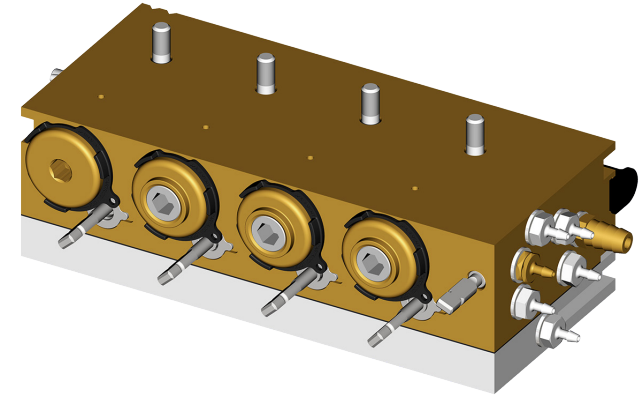


86.0864.00 Rev A
 Copyright 2020 A-dec Inc.
 All rights reserved.

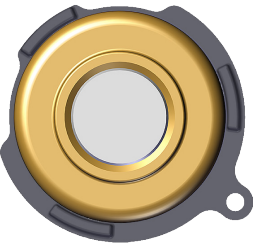

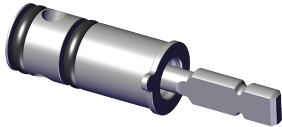
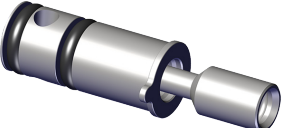


Installation Guide

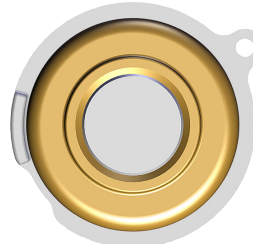

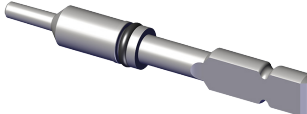
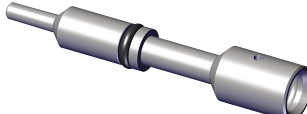
Control Block Cartridges on A-dec 532/533 Delivery Systems



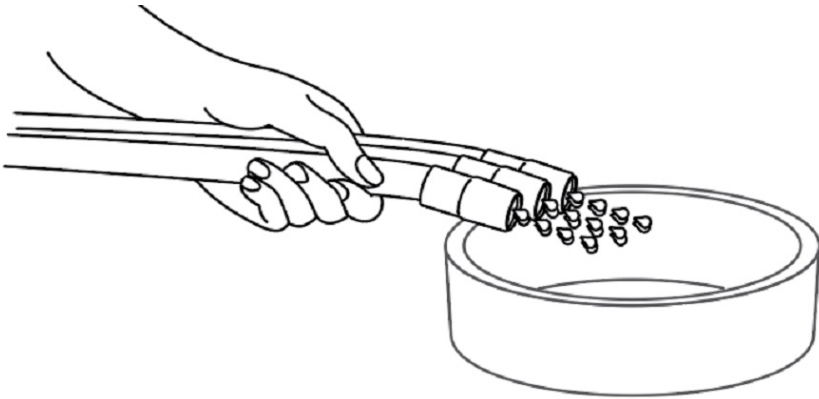
Version 2 Style Control Block Cartridges/Water Flow Adjustment - Not Compatible with Version 1 Style

		
Water Cartridge 38.1934.01	Dry Cartridge 38.1958.01	Adjustment Cartridge 38.1936.01
		
		Adjustment Cartridge 38.1973.01

Version 1 Style Control Block Cartridges/Water Flow Adjustment - Not Compatible with Version 2 Style

		
Water Cartridge 38.1780.00	Dry Cartridge 38.1783.00	Adjustment Stem 38.1824.00
		
		Adjustment Stem 38.0516.00

1. Purge water from the system.



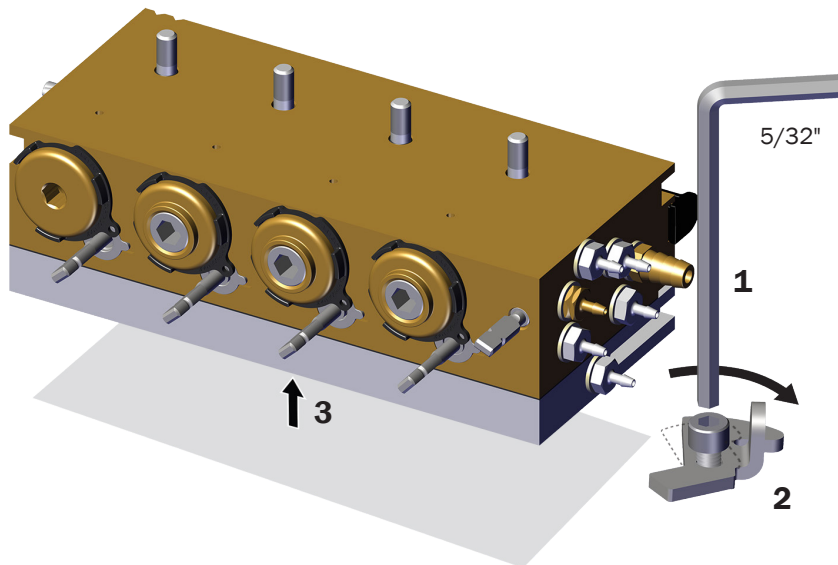
2. Turn off the power to the system.



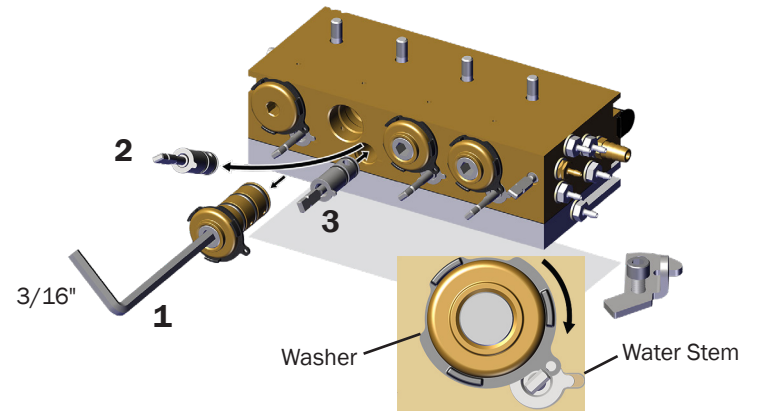
4

5

3. Remove the control block.



4. Replace the desired cartridge or stem.



NOTE You must turn the retaining washer fully clockwise to secure the water cartridge and retain the stem.

6

7