

## A-dec® 371L/571L Dental Light on an A-dec 200 Dental Chair

### Product Models and Versions Covered in this Document

Models	Versions	Description
200	A	Dental Chair
371L	A	Dental Light
571L	A	Dental Light



### Before You Begin



**WARNING** Failure to turn off or disconnect the power before you begin this procedure can lead to product damage and result in serious injury or death.



**ATTENTION** Circuit boards are sensitive to static electricity. Electrostatic Discharge (ESD) precautions are required when touching a circuit board or making connections to or from the circuit board. Circuit boards should be installed only by an electrician or qualified service person.



**WARNING** Shock hazard. When you remove or replace the covers, take care not to damage any wiring or tubing. Verify that the covers are secure after you replace them.

1. Turn off the power to the system before you begin the installation.

## Install the Light



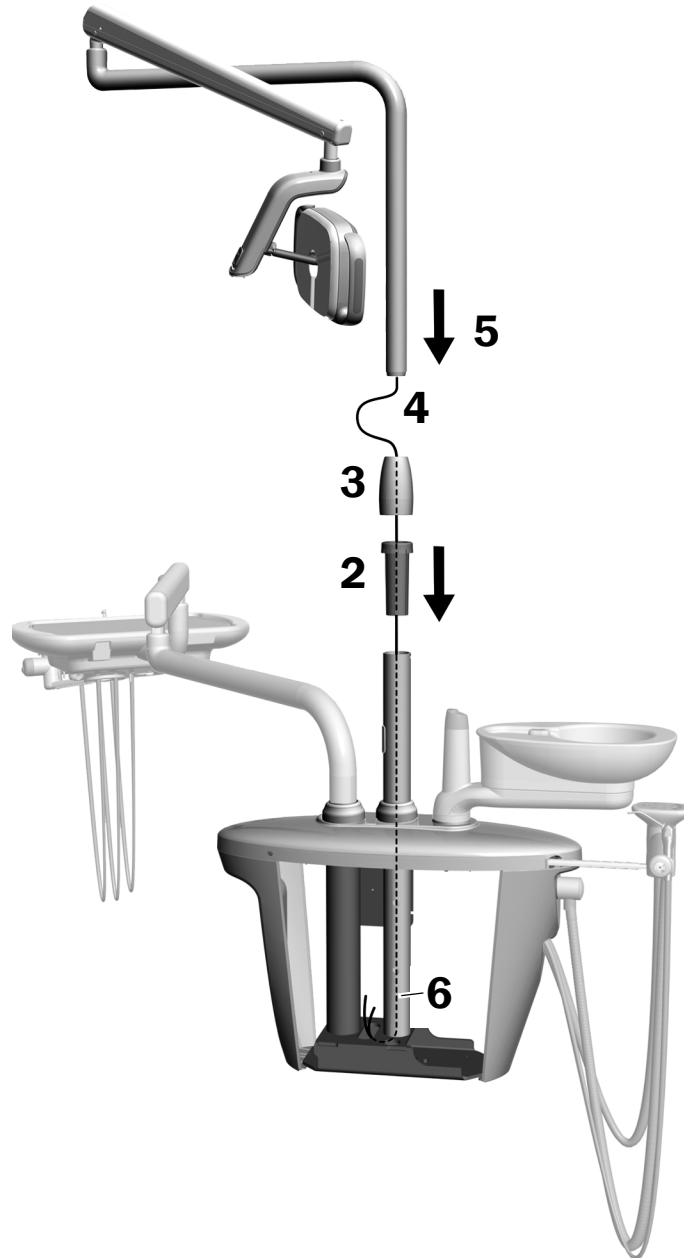
**NOTE** The instructions in this installation guide apply equally to both the 371L and 571L dental lights, except where noted.

### Install the Dental Light Components on the Support Center

1. Loosen the four thumbscrews to remove the support center covers.

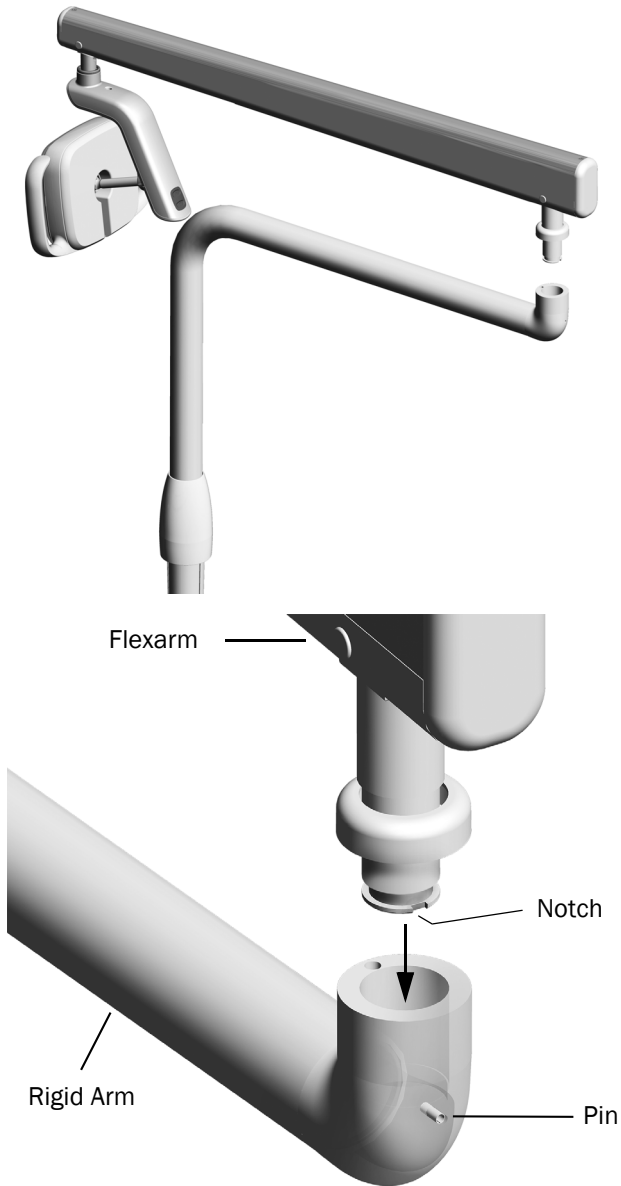


2. Insert and fully seat the bearing in the support center post.
3. Place the trim cover on top of the bearing.
4. Route the wiring down into the support center post.
5. Insert the dental light post.
6. Route the wiring out of the post into the support center.



## Install the Flexarm

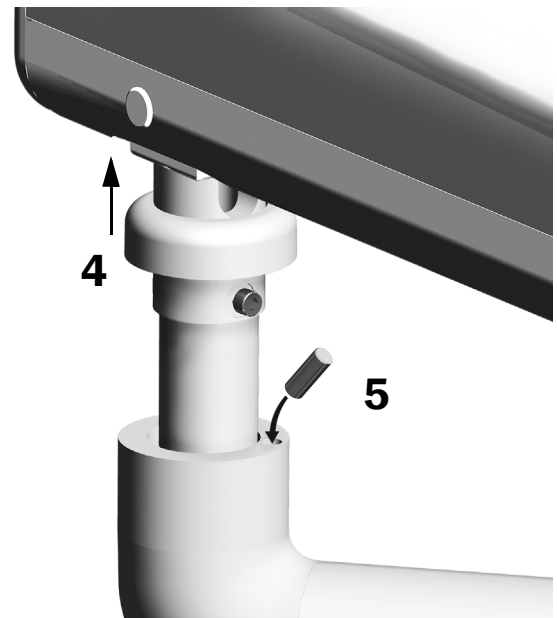
1. Align the flexarm over the rigid arm while ensuring that the notch in the flexarm post lines up with the pin in the rigid arm.
2. Install the flexarm post into the rigid arm.



3. Rotate the light so that it is in the working position.



4. Lift the trim ring.
5. Insert the stop pin.

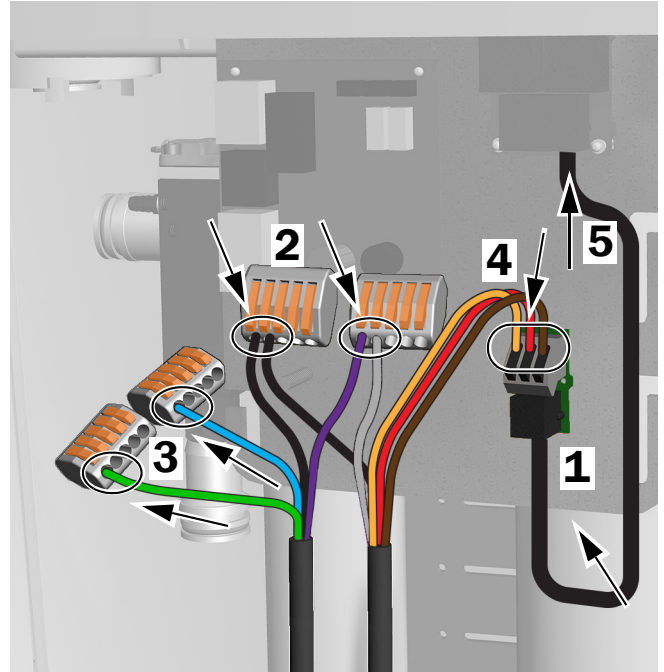


## Connect the Electrical Wires and Data Line

See the section for your system's configuration.

### 371L With Touchpad Functionality and 571L

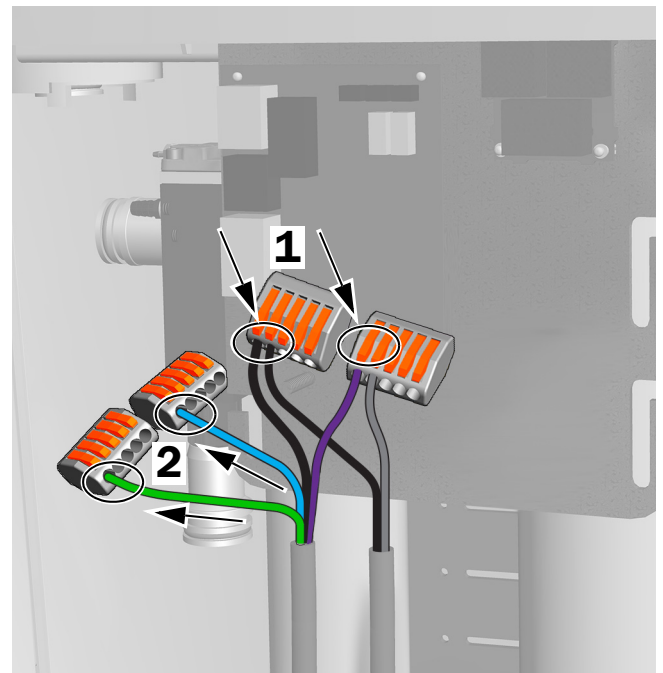
1. Peel off the protective paper from the adaptor board. Attach the adaptor board to the support center frame.
2. Connect the light cable's black wire to the wire connector with the black wire. Connect the light cable's gray wire to the wire connector with the purple wire.
3. Cap the blue wire and the green wire with wire connectors.
4. Connect the wires to the positions on the adaptor board as labeled: brown to BRN, red to RED, and orange to ORN.
5. Connect the data line from the adaptor board to a data port.
6. Coil and secure the excess cable.



Connections for 371L with Touchpad Functionality and 571L

### 371L Without Touchpad Functionality

1. Connect the light cable's black wire to the wire connector with the black wire. Connect the light cable's gray wire to the wire connector with the purple wire.
2. Cap the blue wire and the green wire with wire connectors.
3. Coil and secure the excess cable.



Connections for 371L without Touchpad Functionality

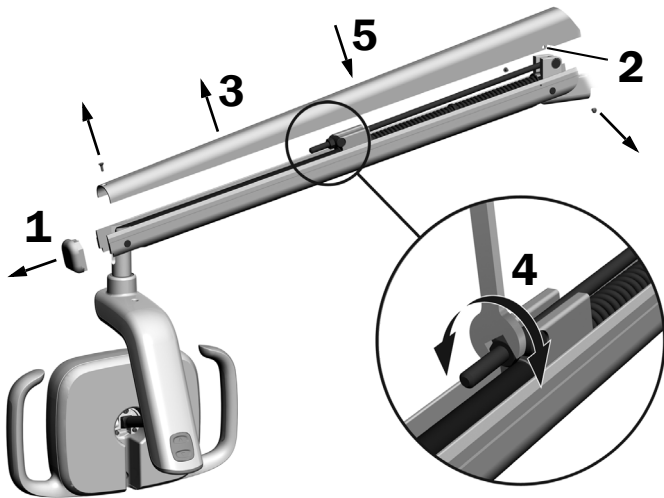
## Prepare and Adjust the Light

### Adjust the Dental Light Flexarm Counterbalance

#### Recommended Tools

- Phillips head screwdriver
- 5/64" hex key
- 1/2" combination wrench

1. Remove the end cap.
2. Remove the three screws that secure the cover.
3. Remove the cover.
4. Adjust the nut on the end of the spring.
  - If the dental light drifts up, turn the nut counterclockwise.
  - If the dental light drifts down, turn the nut clockwise.
5. Set the cover back onto the flexarm (but do not reattach it yet). Check for drift.
6. Repeat steps 4 and 5 until drift is eliminated.



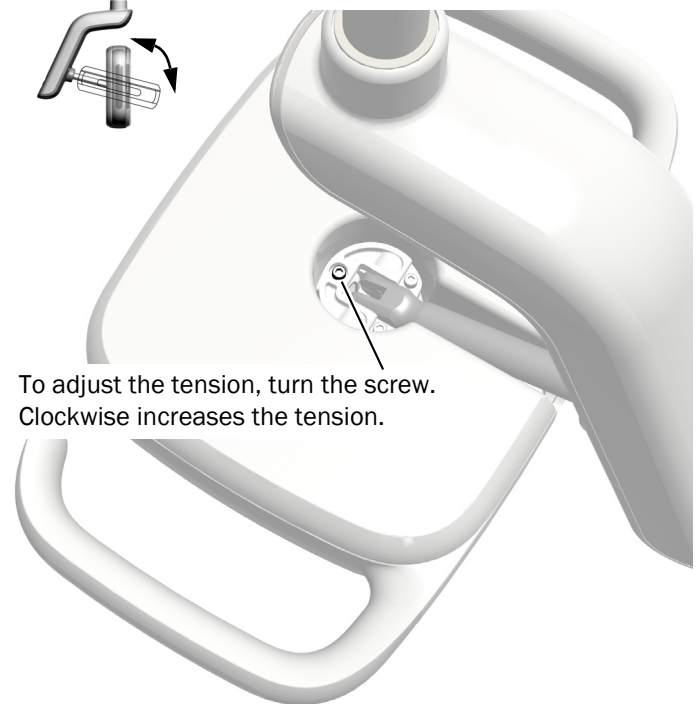
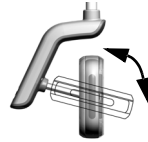
**NOTE** An optional travel stop limit kit (p/n 90.1044.00) can be installed to limit the upward and downward motion of the flexarm.

## Adjust the Rotation Tension Settings

#### Recommended Tool

- 7/64" hex key

#### Adjust the Vertical Tension



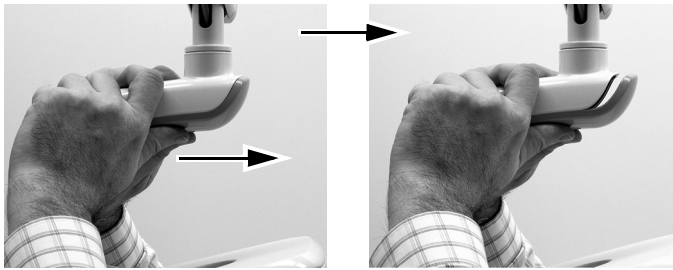
To adjust the tension, turn the screw. Clockwise increases the tension.

#### Remove the Driver Housing Cover

1. Remove the two screws securing the driver housing cover.

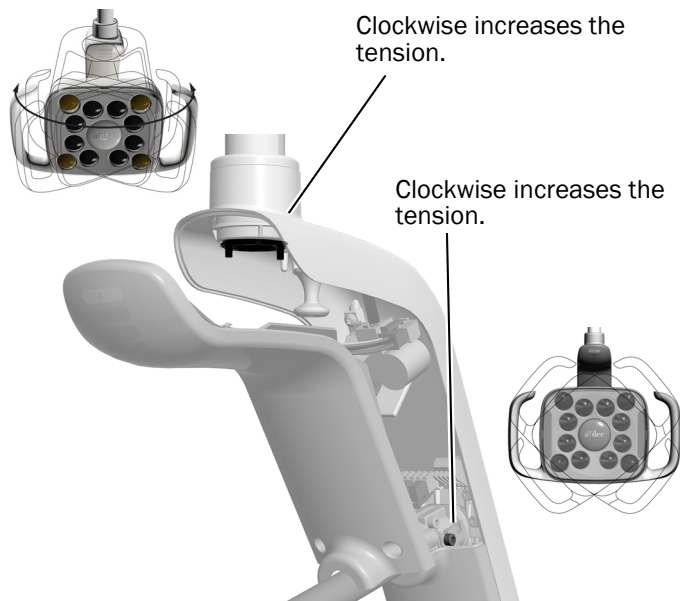


2. Grasp the driver housing and use your thumbs to push the driver housing cover away from the driver housing.



### Adjust the Horizontal and Diagonal Tension

1. To adjust horizontal tension, rotate the friction adjustment.
2. To adjust diagonal tension, turn the setscrew. Clockwise increases the tension.



### Level the Light

See the *A-dec 200 Installation Guide* (p/n 86.0004.00) for instructions on leveling the system and light.

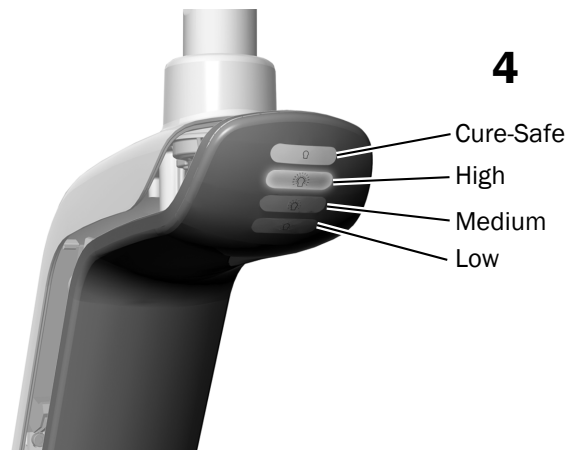
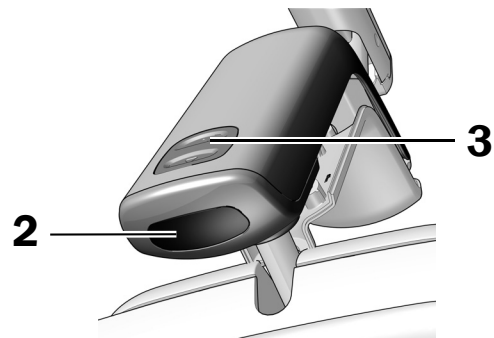
## Test the Light

See the section for your system's configuration:

<b>A-dec 571L</b> .....	<b>6</b>
<b>A-dec 371L</b> .....	<b>7</b>
<b>Test the Dental Light Using the Touchpad</b> .....	<b>7</b>

### A-dec 571L

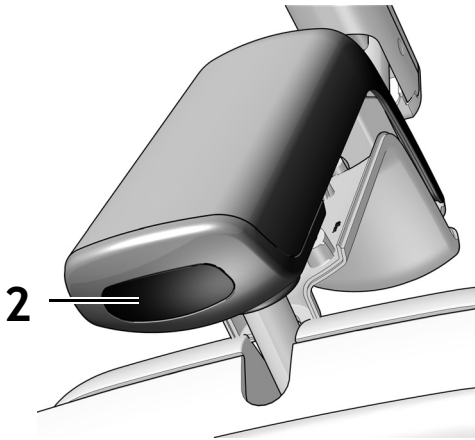
1. Turn on the system.
2. Move your hand within 3" (76 mm) of the touchless on/off sensor to turn on the light.
3. Press the buttons to test the light in each mode.
4. For each mode, verify that the correct light on the driver housing cover is illuminated.
5. If it doesn't work properly, check the wire connections.



**Next Step** Continue with "Test the Dental Light Using the Touchpad" on page 7.

## A-dec 371L

1. Turn on the power to the system.
2. Test the light:
  - **Lights with touch control functionality** – Do one of the following several times to verify the light switches between off and on:
    - **Touchless Sensor** – Move your hand within 3" (76 mm) of the touchless on/off sensor.
    - **Push Button** – Press the power button (in the same location as the touchless sensor shown below).
  - **Lights without touch control functionality** – Press the power button (in the same location as the touchless sensor shown below) and verify that the light cycles through high-low-off.



Touchless Sensor Shown

3. If it doesn't work properly, check the wiring connections.

## Test the Dental Light Using the Touchpad



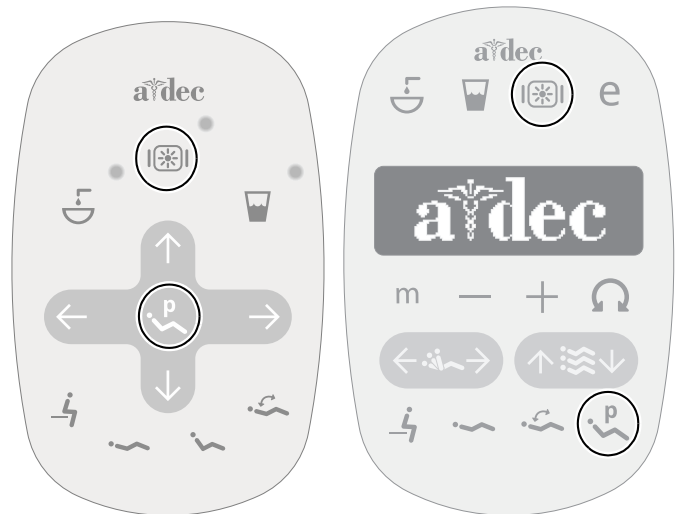
**NOTE** Touchpad symbols and icons are proprietary to A-dec, Inc.

1. Turn on the power to the system.
2. To verify the light turns on and off, and toggles between intensity modes (371L with touchpad functionality: high and composite/low; 571L: high, medium, and low, plus cure-safe mode), repeatedly press and release . To turn off the light, press and hold the button.



**NOTE** When the 371L is in the composite/low mode or 571L is in the cure-safe mode, the light indicator on the touchpad flashes.

3. To disable the auto on/off feature, press and hold and at the same time for three seconds. One beep indicates that the auto on/off function is off. To re-enable, repeat this step. Three beeps indicate that the auto on/off feature is activated.



Standard Touchpad

Deluxe Touchpad

## Install the Driver Housing Cover



**WARNING** Shock hazard. When you remove or replace the covers, take care not to damage any wiring or tubing. Verify that the covers are secure after you replace them.

1. Position the driver housing cover so the keyhole fits around the post; then push the driver housing cover into position with your palm.



2. Use two screws to secure the cover.



## Regulatory Information and Warranty

For required regulatory information and the A-dec warranty, see the *Regulatory Information, Specifications, and Warranty* document (p/n 86.0221.00) available in the Resource Center at [www.a-dec.com](http://www.a-dec.com).



For quick access to this document online, scan, tap, or click this QR code, which points to [a-dec.com/regulatory-guide](http://a-dec.com/regulatory-guide).



### A-dec Headquarters

2601 Crestview Drive  
Newberg, OR 97132 USA  
Tel: 1.800.547.1883 Within USA/CAN  
Tel: +1.503.538.7478 Outside USA/CAN  
[www.a-dec.com](http://www.a-dec.com)

*A-dec, Inc. makes no warranty of any kind with regard to the content in this document including, but not limited to, the implied warranties of merchantability and fitness for a particular purpose.*

