



# A-dec® 482/381 Monitor Mount

## INSTALLATION GUIDE

### Contents

- What's New in This Release . . . 2**
- Before You Begin . . . . . 2**
- Adjust the Cable Length . . . . 2**
- Install the Monitor Mount . . . 6**
- Route and Connect the Cables to the Power Supply . . . . . 18**
- Connect the Cables in a 397 Specialty Cabinet . . . . . 45**
- Test the System . . . . . 48**
- Install the Covers . . . . . 48**
- Regulatory Information and Warranty . . . . . 56**



A-dec 482 Monitor Mount and A-dec 572L Dental Light on an A-dec 511B Dental Chair

#### Product Models and Versions Covered in this Document\*

Model	Versions	Description
200/411	A	Dental Chair
311ft/511ft	n/a	Dental Chair
311	B	Dental Chair
511	A/B	Dental Chair
371L/372L/378L/571L/572L/578L	A	Dental Light
482/381	A	Monitor Mount
397	A	Specialty Cabinet
362/363	A	Support Center

*\*Equipment shown in this document may include optional features or accessories. Some product models, versions, and options in this document may not be available in certain regions.*

## What's New in This Release

---

This release includes the addition of the 397 Specialty Cabinet:

- “Install an Intermediate Post on a 397 Specialty Cabinet” on page 10.
- “Connect the Cables in a 397 Specialty Cabinet” on page 45.

## Before You Begin

---



**NOTE** Information that is critical to a successful installation is shaded like this note throughout the guide.



**WARNING** Shock hazard. When you remove or replace the covers, take care not to damage any wiring or tubing. Verify that the covers are secure after you replace them.

The procedure for installing the A-dec 482 or 381 monitor mount is the same for all configurations, except for routing the cables.

## Recommended Tools

- Hex key set
- Diagonal cutters
- 15/16" socket and ratchets (2)
- 3/16" T-handle hex key



**TIP** To ensure proper installation, we recommend installing the monitor immediately after installation of the monitor mount.

## Adjust the Cable Length

---



**NOTE** To avoid installation difficulties and potential damage to the cables, make sure to adjust their lengths now before the monitor mount is installed.

Complete the section for the system's configuration.

<b>Adjust the Cable Length on the A-dec 482 Monitor Mount</b>	<b>3</b>
<b>Adjust the Cable Length on the 381 Monitor Mount</b>	<b>5</b>

## Adjust the Cable Length on the A-dec 482 Monitor Mount

### Recommended Tool

- 5/64" hex key

### Task 1.

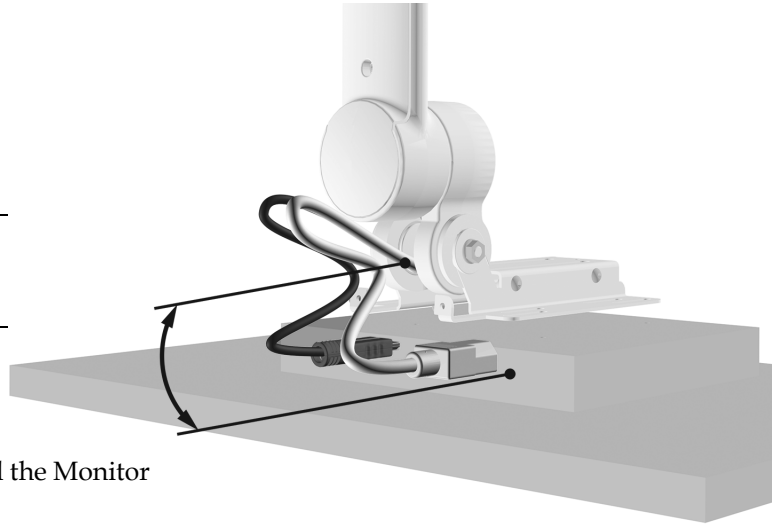
- 1 Place the bracket on the back of the monitor and measure the length of the cables needed to reach from the mount to the monitor outlets.



**CAUTION** Failure to provide range of motion for the cables can lead to product damage.

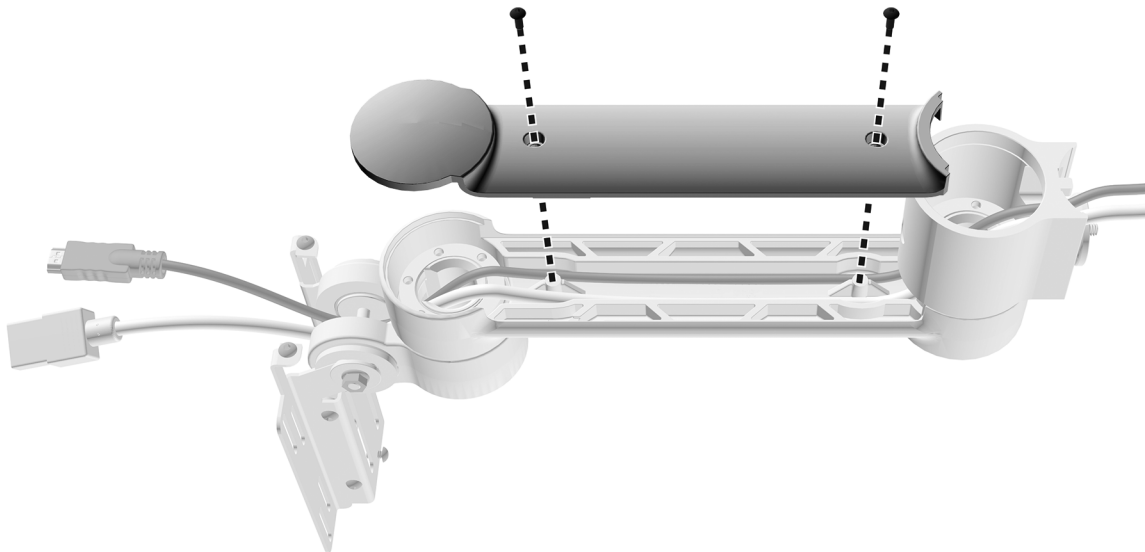
- 2 Leave a small loop to provide range of motion, but do not bind the cables.
- 3 If the cables are the correct length, see "Install the Monitor Mount" on page 6.

If the cables need to be adjusted, continue to Task 2.



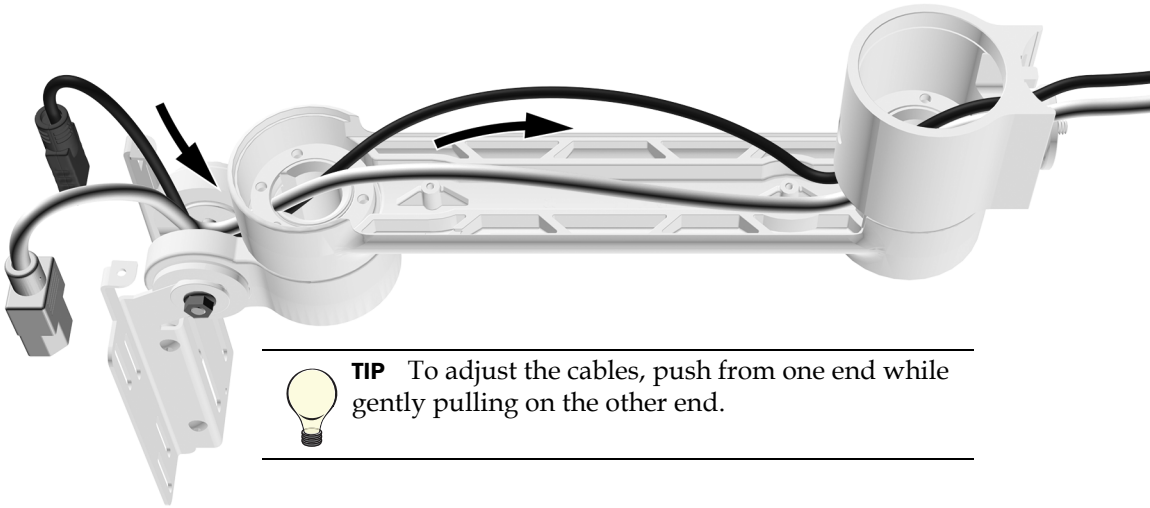
### Task 2.

- 1 Use a 5/64" hex key to remove the monitor mount's bottom cover.

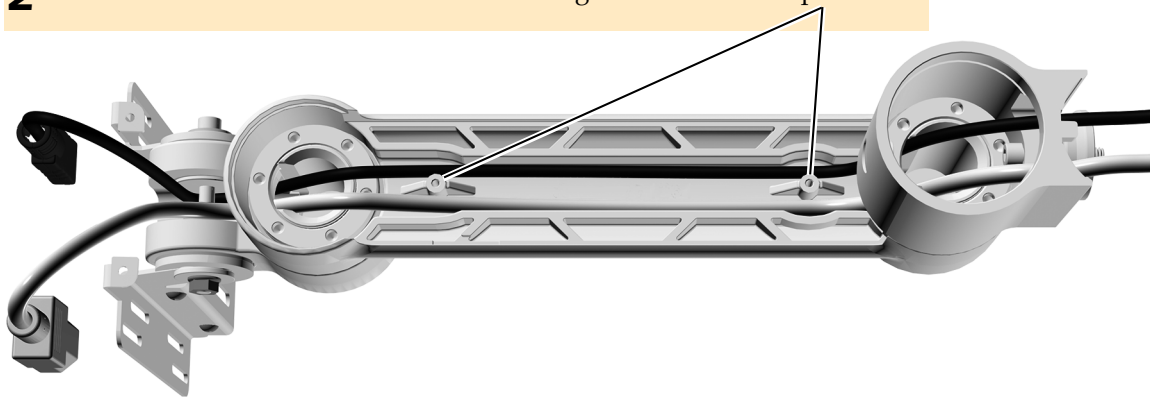


### Task 3.

- 1 Adjust the length of the cables to your measurement.



- 2 Make sure the cables sit in the bottom of the grooves beside the posts.



**WARNING** Shock hazard. When you remove or replace the covers, take care not to damage any wiring or tubing. Verify that the covers are secure after you replace them.

- 3 Replace the cover.

**Next Step** See "Install the Monitor Mount" on page 6.



## Adjust the Cable Length on the 381 Monitor Mount

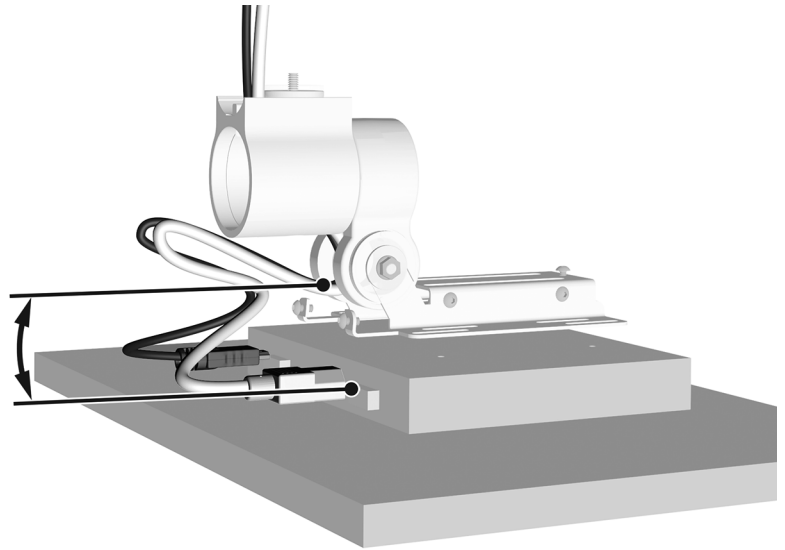
### Task 1.

- 1 Place the bracket on the back of the monitor and measure the length of the cables needed to reach from the mount to the monitor outlets.



**CAUTION** Failure to provide range of motion for the cables can lead to product damage.

- 2 Leave a small loop to provide range of motion, but do not bind the cables.

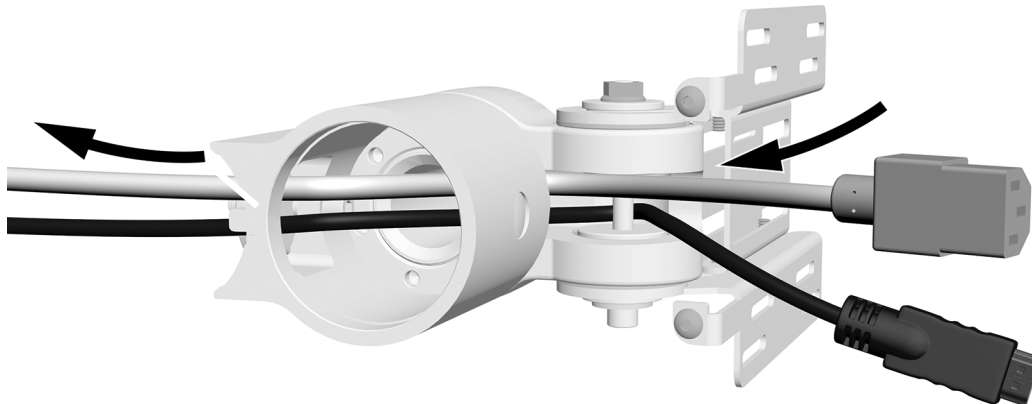


### Task 2.

- 1 Adjust the length of the cables to your measurement.



**TIP** To adjust the cables, push from one end while gently pulling on the other end.



## Install the Monitor Mount



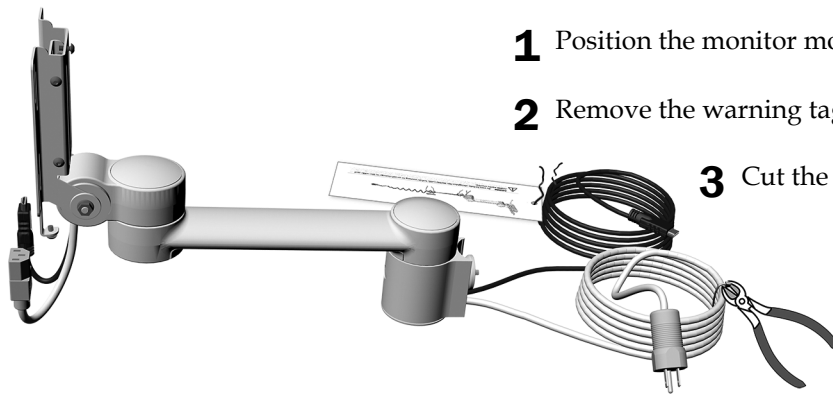
**NOTE** While the A-dec 482 monitor mount is shown in this section, the instructions apply equally to the A-dec 381.

### Straighten the Cables

#### Recommended Tool

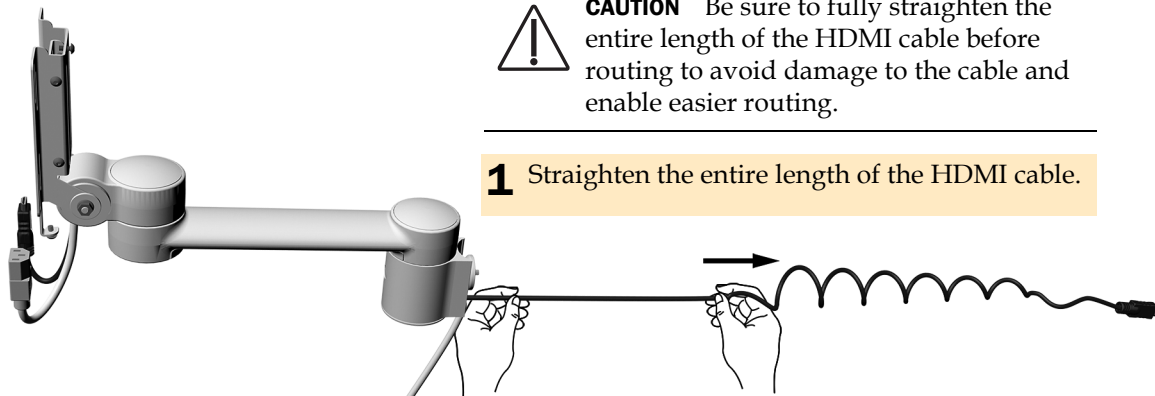
- Diagonal cutters

#### Task 1.



- 1** Position the monitor mount components in a straight line.
- 2** Remove the warning tag from the HDMI cable.
- 3** Cut the cable ties securing the power cable.

#### Task 2.



**CAUTION** Be sure to fully straighten the entire length of the HDMI cable before routing to avoid damage to the cable and enable easier routing.

- 1** Straighten the entire length of the HDMI cable.

## Install an Intermediate Post or Rigid Arm (A-dec 381 only)

Complete the section for the system's configuration:

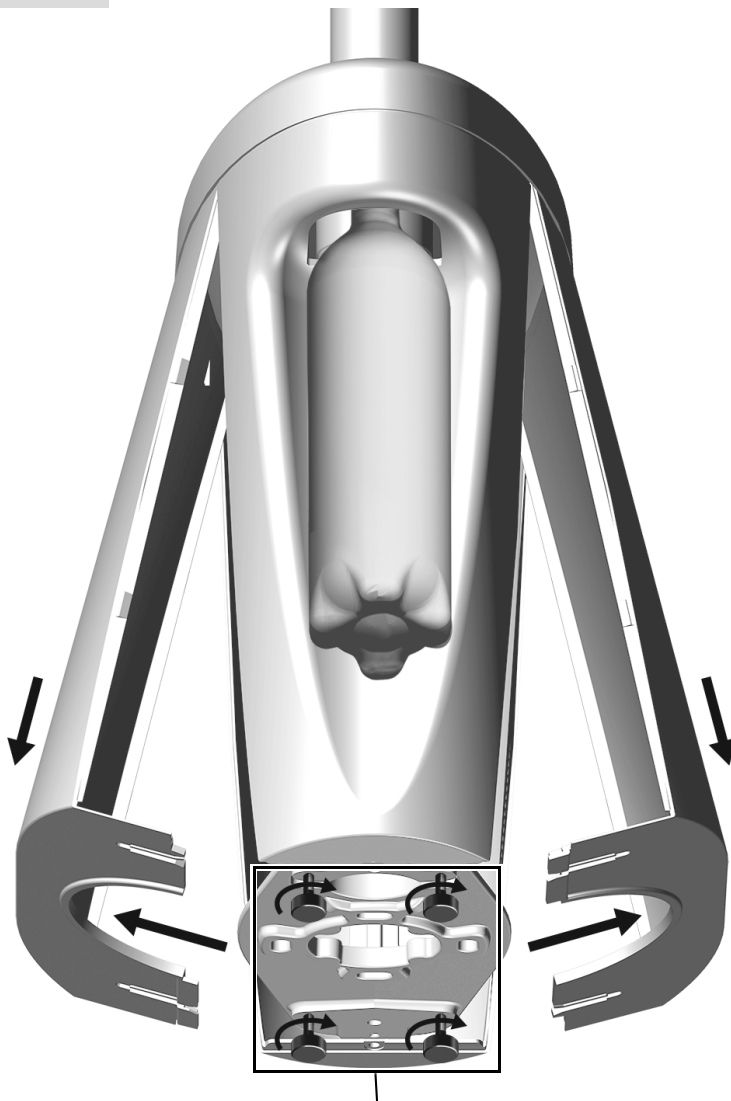
<b>Install an Intermediate Post on an A-dec 200 Support Center</b>	<b>7</b>
<b>Install an Intermediate Post on an A-dec 362/363 Support Center</b>	<b>9</b>
<b>Install an Intermediate Post on a 397 Specialty Cabinet</b>	<b>10</b>
<b>Install an Intermediate Post on a Rigid Arm</b>	<b>12</b>

### Install an Intermediate Post on an A-dec 200 Support Center



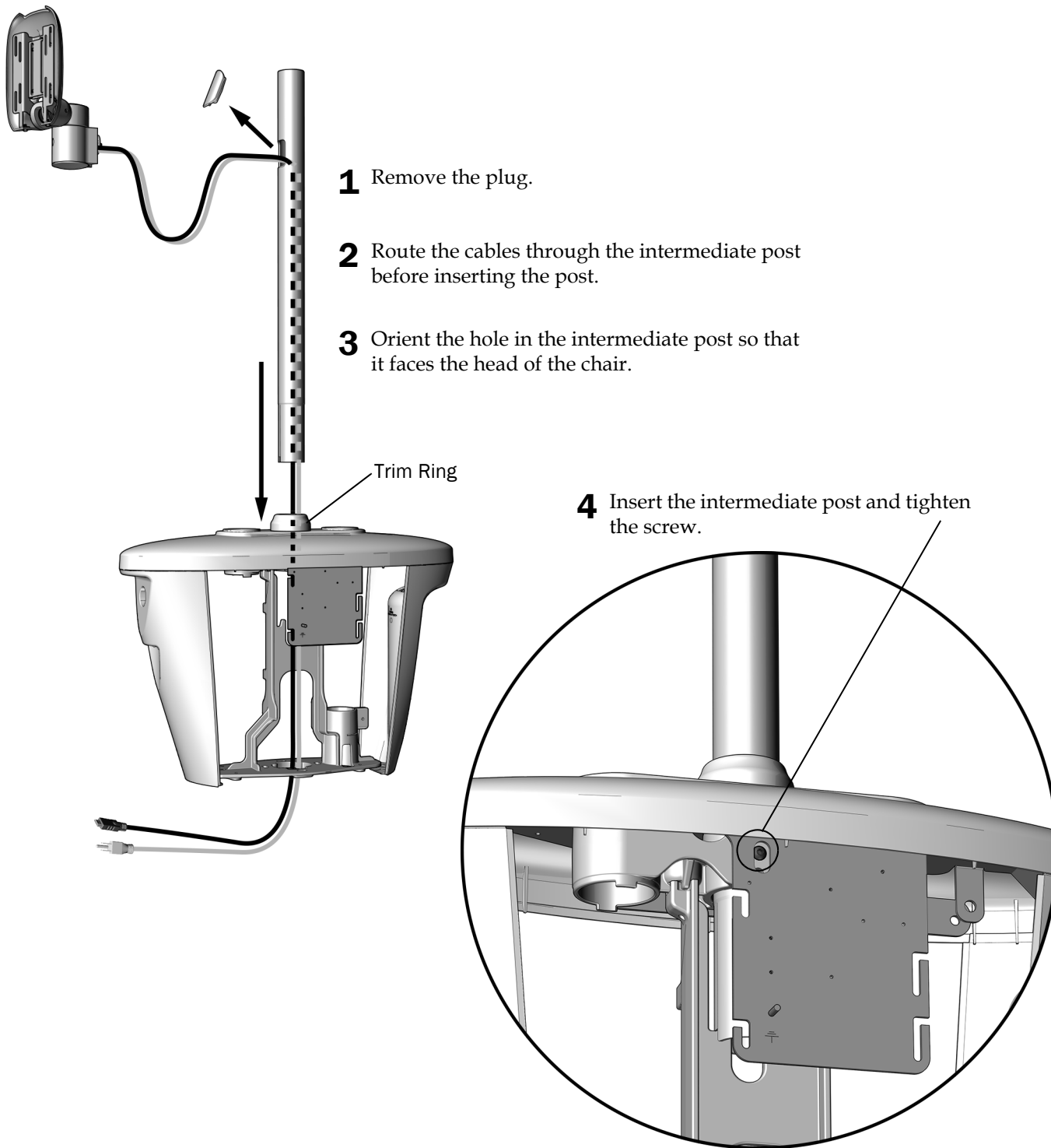
**NOTE** If the monitor mount is being installed with a dental light, fully install the monitor mount before installing the light.

#### Task 1.



- 1** Loosen the four thumbscrews.
- 2** Slide out the bottoms and pull the covers down.

**Task 2.**

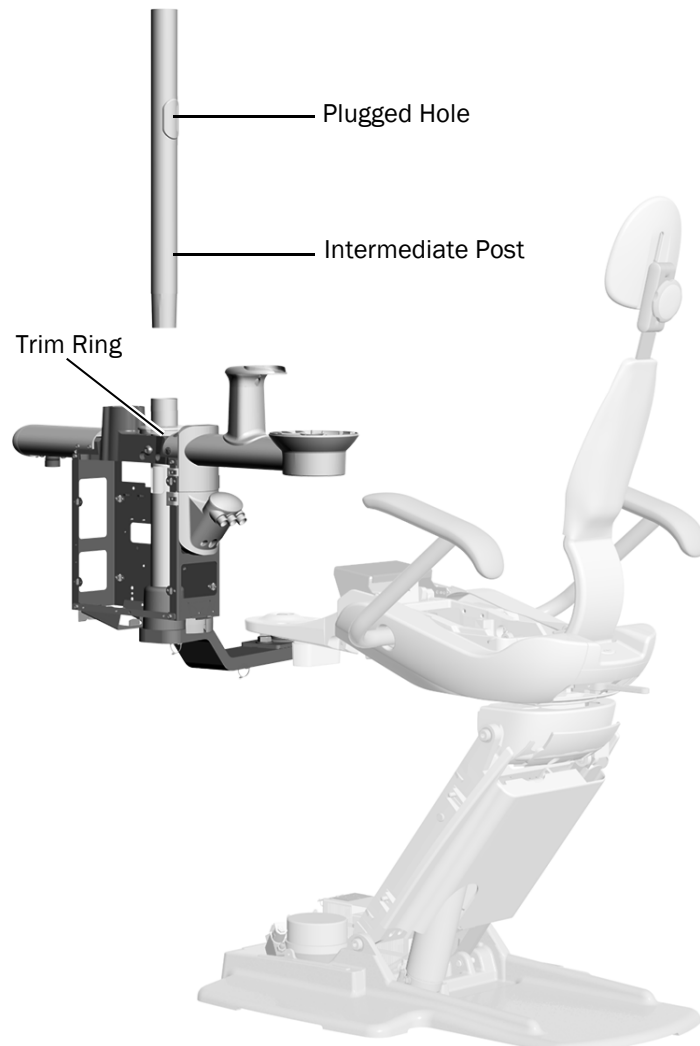


**Next Step** See "Install the Monitor Mount" on page 13.

## Install an Intermediate Post on an A-dec 362/363 Support Center

### Recommended Tool

- Rubber mallet



- 1** Orient the plugged hole in the intermediate post so that it faces the head of the chair, then insert the intermediate post into the support center post.
- 2** Lightly tap the top of the intermediate post with a rubber mallet. Do not hit it too hard or it will be difficult to remove.



**NOTE** When the post is fully seated, there is still a gap between the white painted sections. The gap will be behind the support center covers.

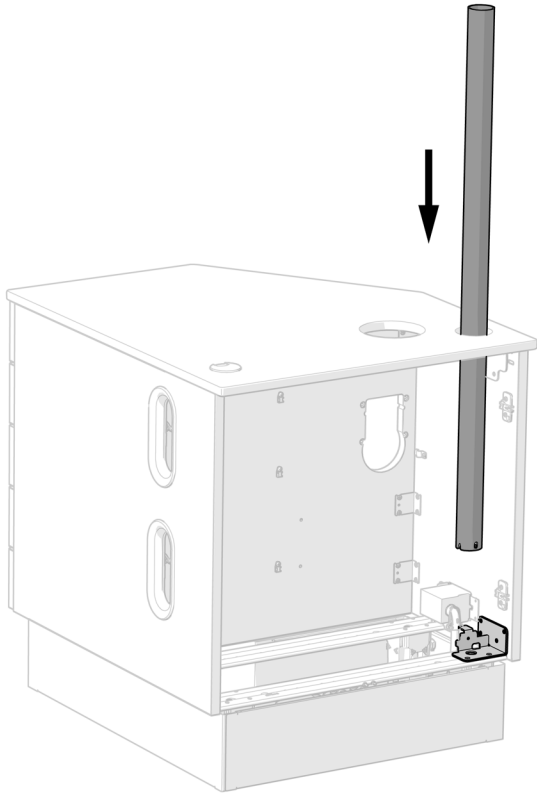
**Next Step** See "Install the Monitor Mount" on page 13.

## Install an Intermediate Post on a 397 Specialty Cabinet

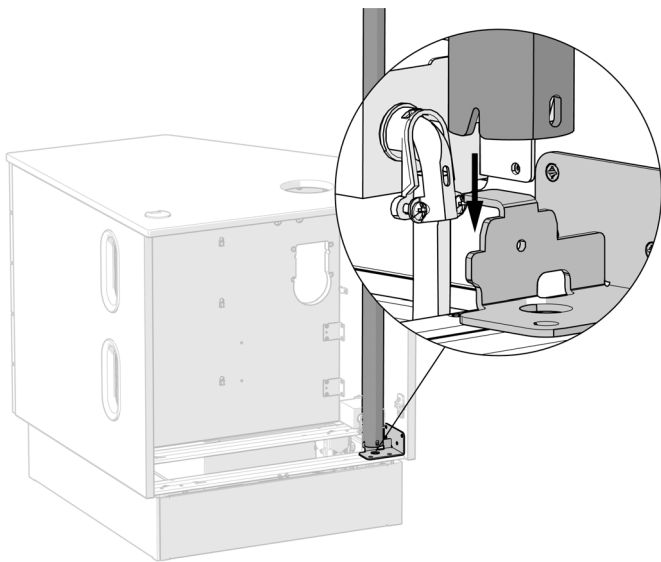
### Recommended Tools

- 5/32" hex key
- Four-foot level
- Umbilical snake

### Task 1.

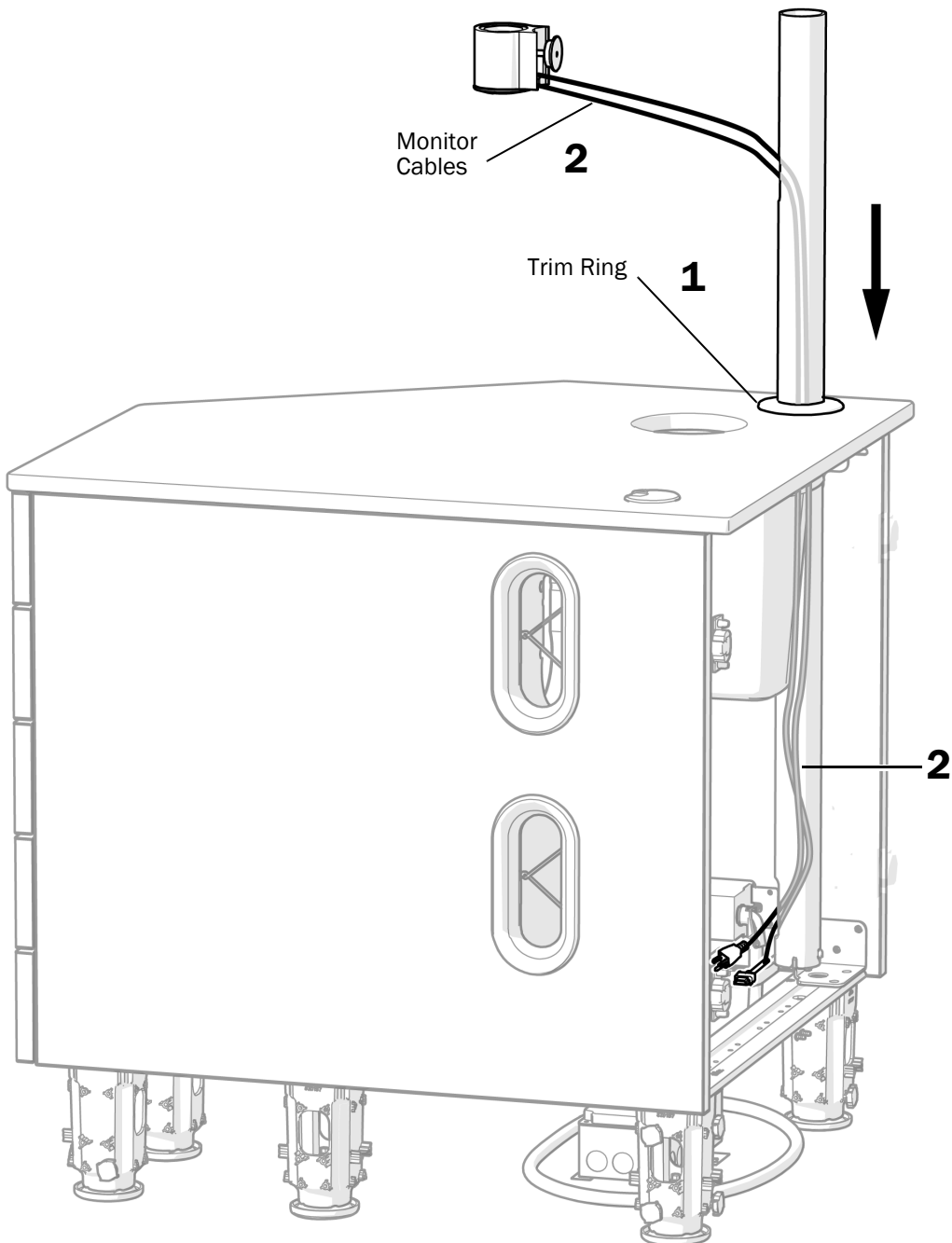


- 1** Insert the intermediate post through the hole in the countertop, down to the bracket in the bottom of the cabinet.



- 2** Slide the slot in the post over the ridge in the bracket.

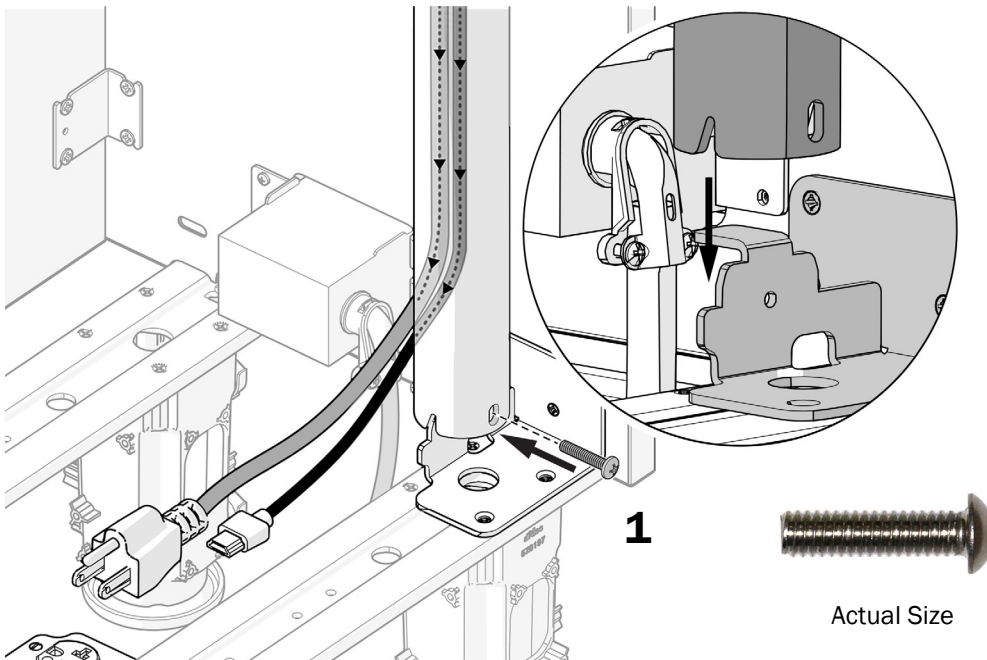
**Task 2.**



**1** Install the trim ring on the intermediate post, and slide it down to the countertop.

**2** Route the cables through the intermediate post.

### Task 3.



- 1** Use a hex key and the screw from the ship-with kit to secure the post to the bracket.
- 2** Check that the post is level vertically. If it isn't level, adjust the level of the cabinet until it is level. See the *A-dec Inspire 397 Specialty Cabinet Installation Guide* (p/n 86.1084.00) for leveling instructions.



**NOTE** If the intermediate post is not level vertically, the light may drift after placed in position.

**Next Step** See "Install the Monitor Mount" on page 13.

### Install an Intermediate Post on a Rigid Arm

For information on installing a rigid arm, see the instructions for your system's configuration, which are available in the Resource Center at [www.a-dec.com](http://www.a-dec.com):

- **Install a Rigid Arm on an A-dec 311, 411, or 511A Dental Chair** - see the section for the system's configuration in the *A-dec 372L/572L Dental Light on A-dec 311/411/511 Dental Chair Installation Guide* (p/n 86.0333.00).
- **Install a Rigid Arm on an A-dec 511B Dental Chair** - see the section for the system's configuration in the *A-dec 372L/572L Dental Light on A-dec 511 Dental Chair Installation Guide* (p/n 86.0795.00).

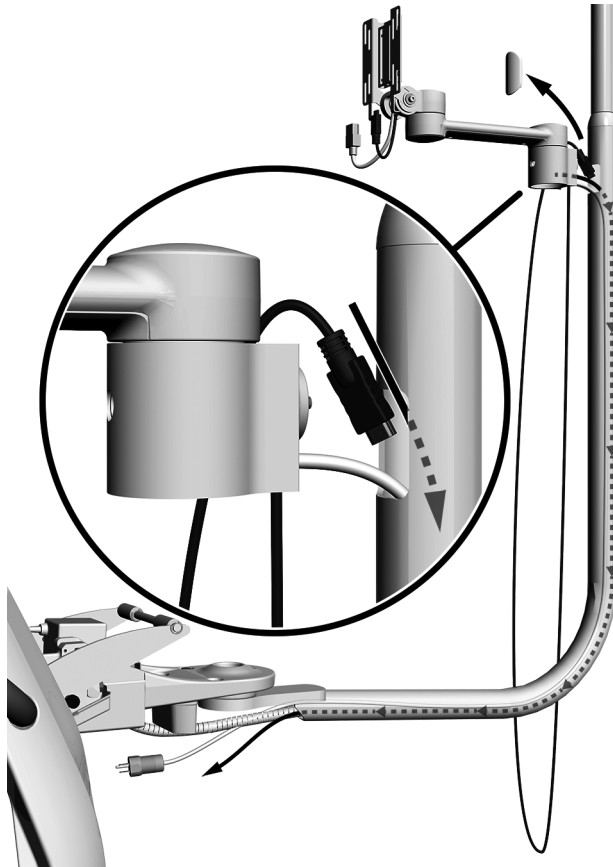


## Install the Monitor Mount

### Recommended Tool

- 3/16" T-handle hex key

### Task 1. A-dec 362/363 and Rigid Arm Installations Only



A-dec 411 Dental Chair Shown

- 1** Remove the plug.



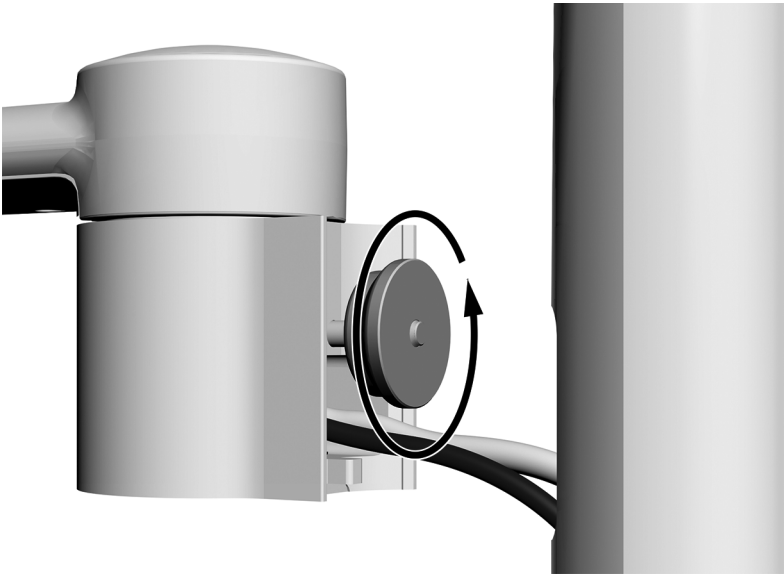
**CAUTION** Do not pull the cables fully tight or they may be damaged.

- 2** Route the power cable first.

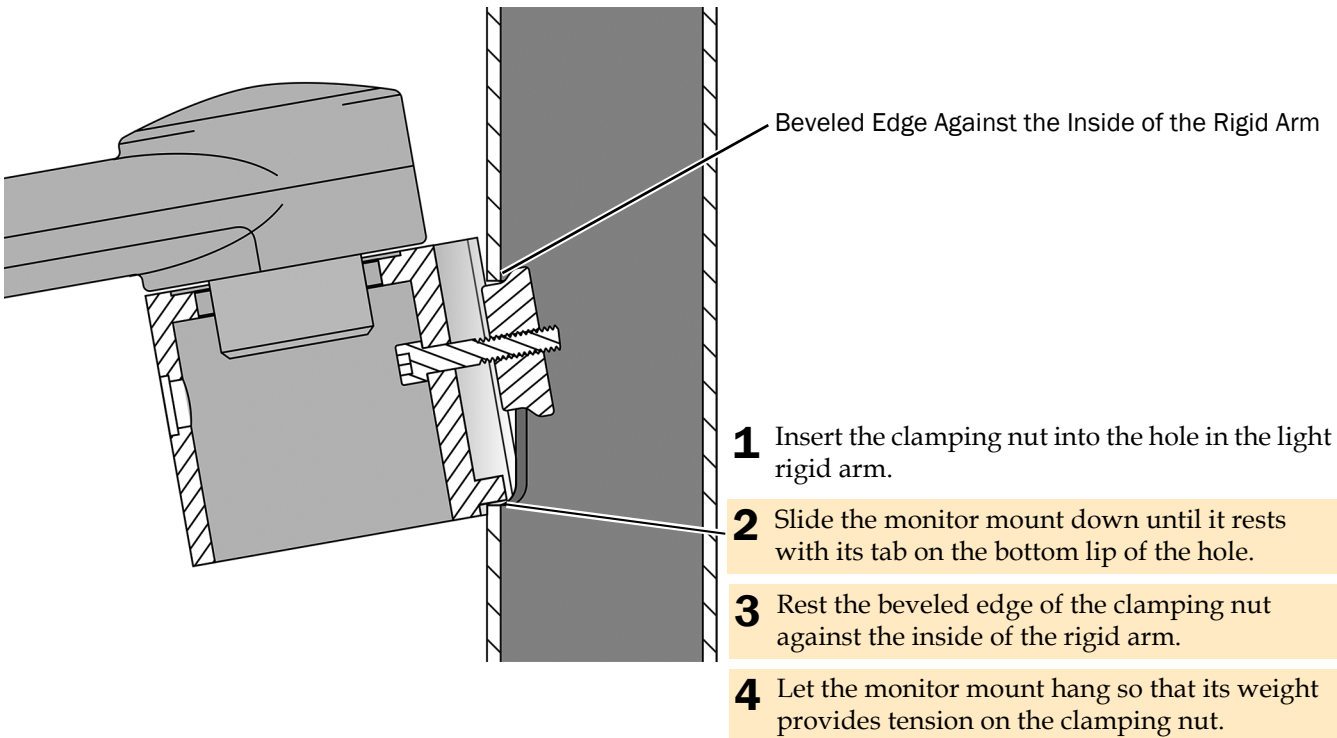
- 3** Route the HDMI cable.

**Task 2.**

- 1** Unscrew the clamping nut enough so that the whole nut can go inside of the rigid arm.

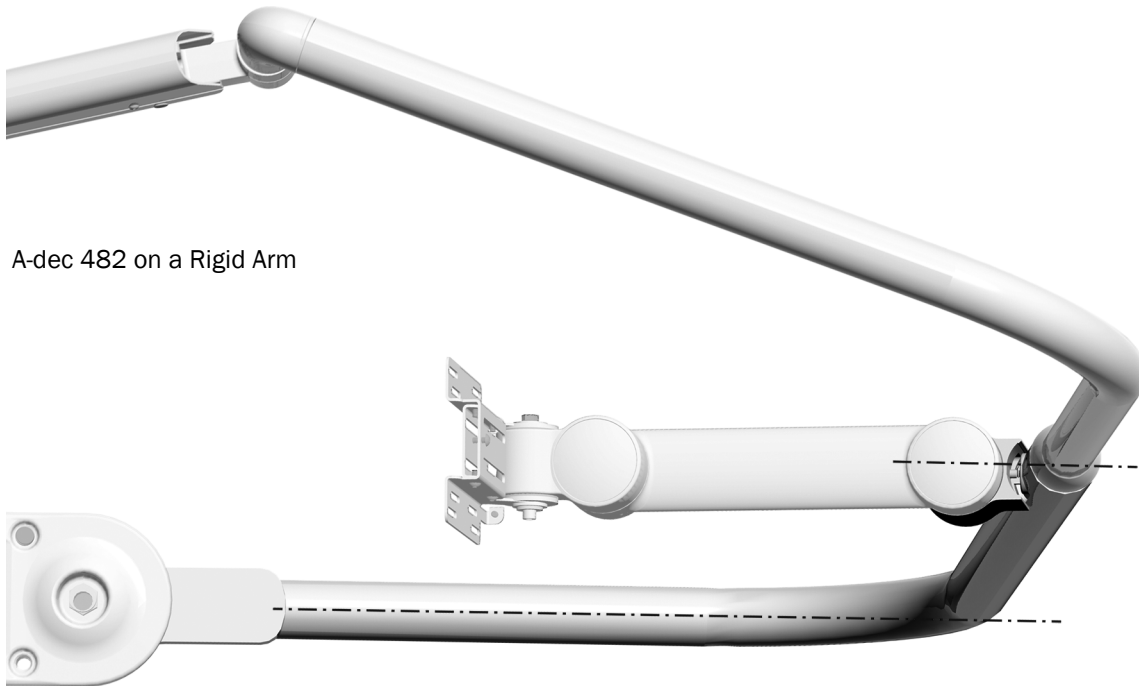


**Task 3.**

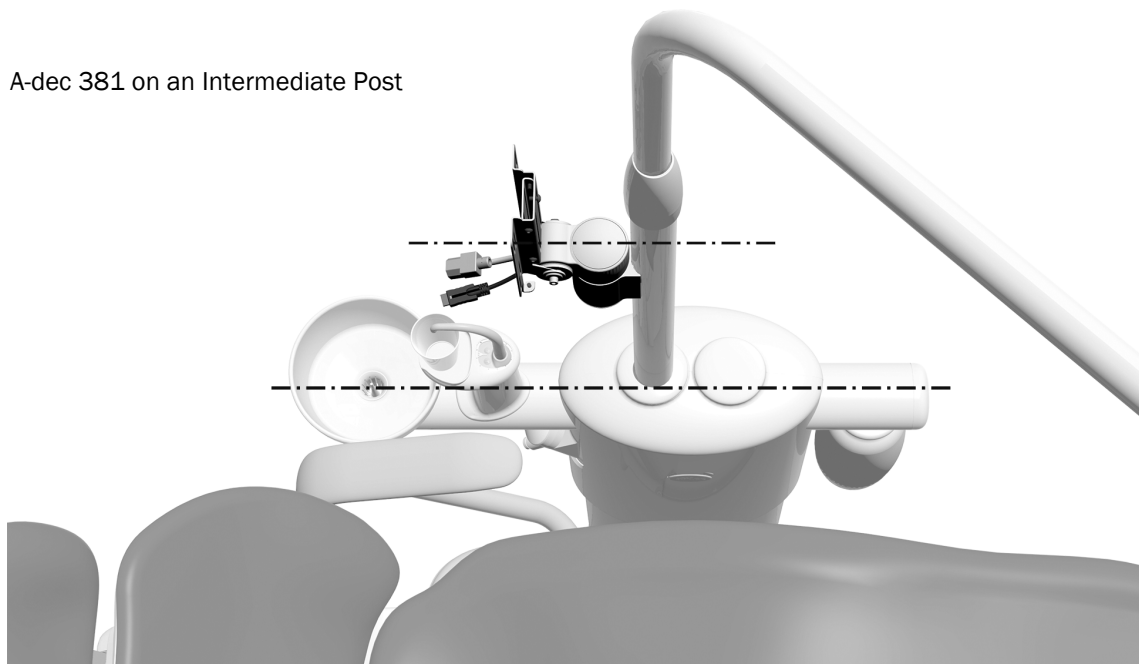


#### Task 4.

- 1 With the beveled edge of the clamping nut against the inside of the rigid arm, align the mount.
  - **Rigid Arm Installations** – align the mount with the lower section of the rigid arm.
  - **Intermediate Post Installations** – align the mount with the water bottle support and cuspidor.



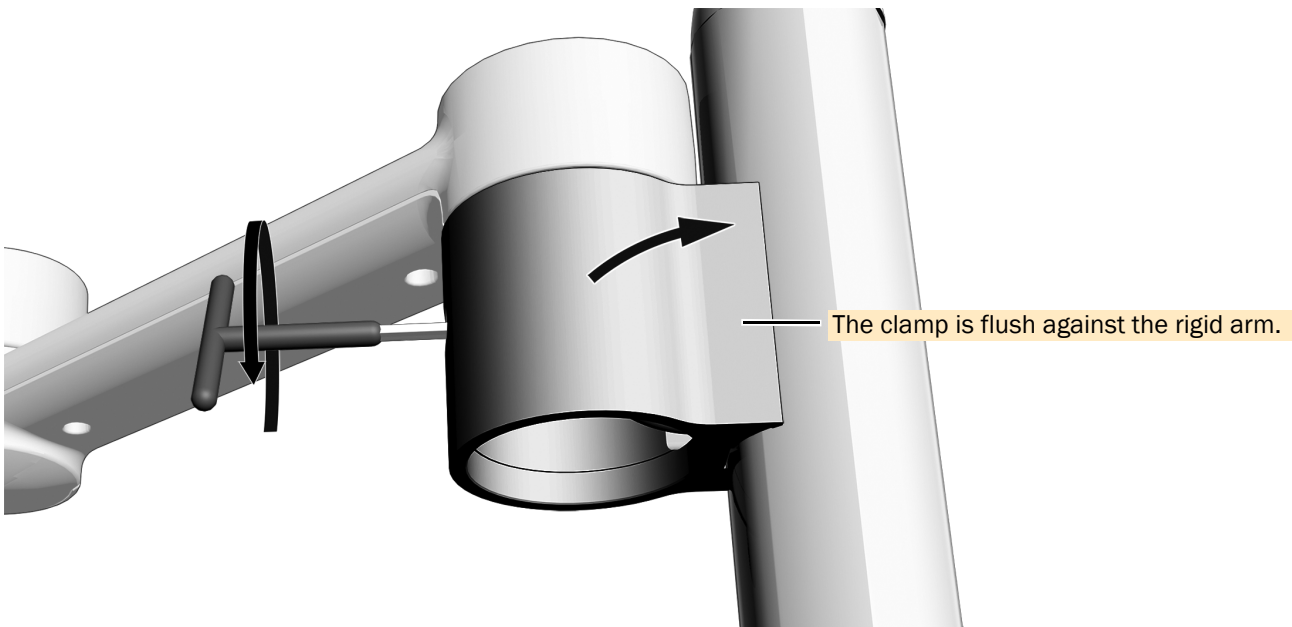
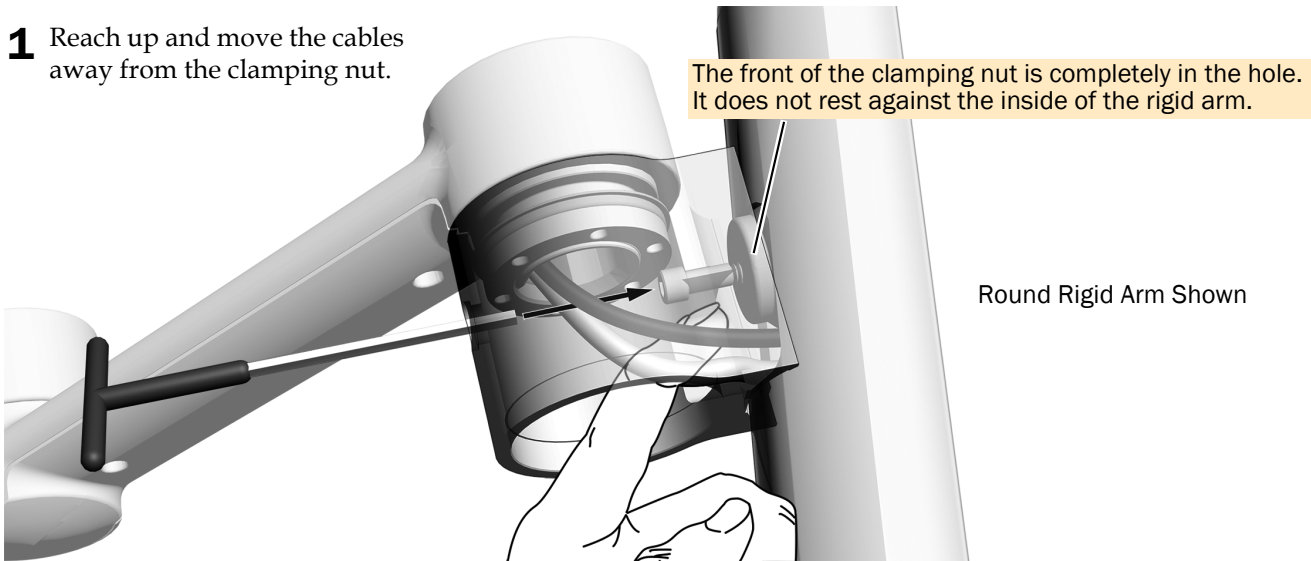
A-dec 482 on a Rigid Arm



A-dec 381 on an Intermediate Post

### Task 5.

- 1 Reach up and move the cables away from the clamping nut.



- 2 While the weight of the mount maintains downward tension on the clamping nut, use a 3/16" T-handle hex key to draw the clamp to the rigid arm. Securely tighten the clamp against the rigid arm.



**NOTE** Downward tension must be maintained when securing the monitor mount to keep the clamping nut engaged.

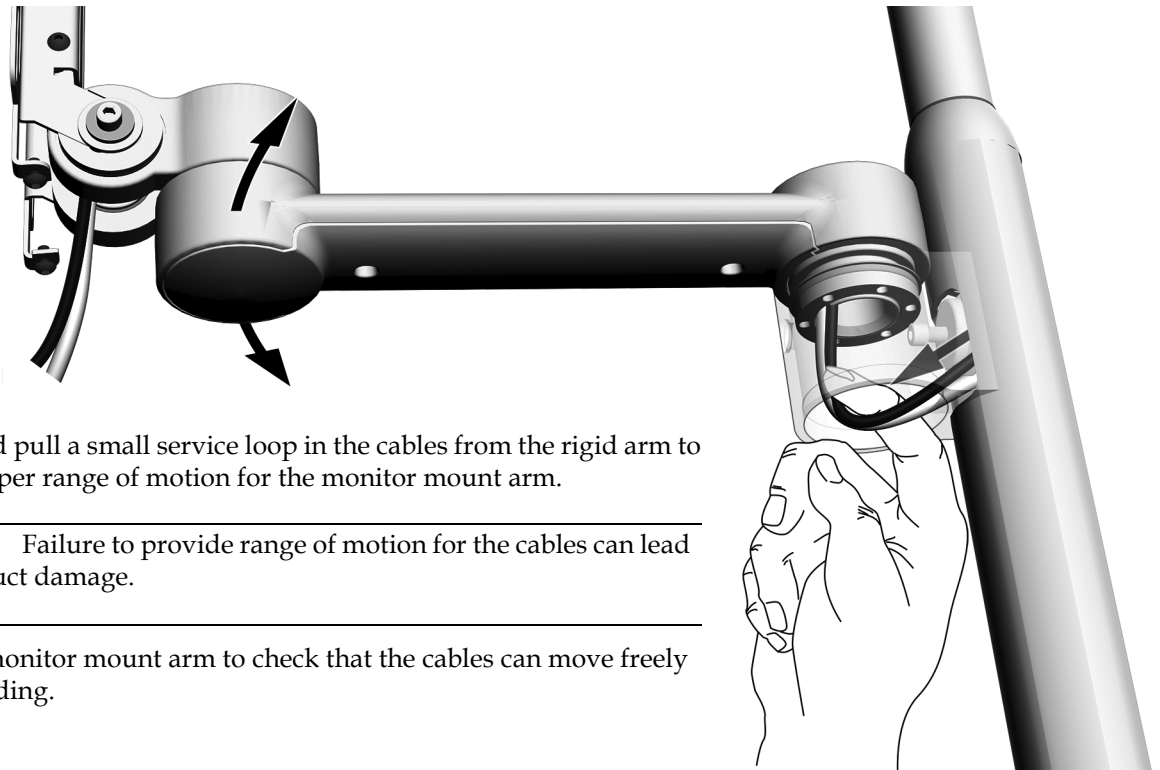


**NOTE** When the monitor mount is properly secured:

- **Round Rigid Arm** – The clamp is flush against the rigid arm with no gap.
- **Stylized Rigid Arm** – There is a small gap between the top and bottom of the clamp and the rigid arm.

The clamp is aligned with the lower section of the rigid arm (or with the water bottle support for installations on an intermediate post on a support center).

**Task 6.**



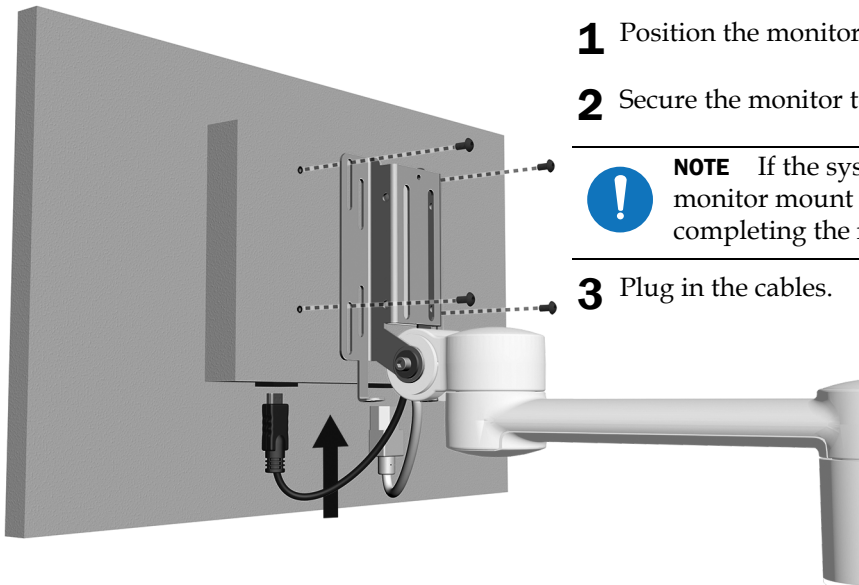
- 1 Reach in and pull a small service loop in the cables from the rigid arm to provide proper range of motion for the monitor mount arm.



**CAUTION** Failure to provide range of motion for the cables can lead to product damage.

- 2 Rotate the monitor mount arm to check that the cables can move freely without binding.

**Task 7.**



- 1 Position the monitor on the bracket.

- 2 Secure the monitor to the mount.



**NOTE** If the system includes an A-dec monitor mount handle, install it now before completing the rest of these instructions.

- 3 Plug in the cables.



**NOTE** The kit includes a DVI to HDMI converter for connecting to older monitors.



**NOTE** For installing monitors with a recessed mounting area, use the adaptor plate included with the kit.

## Route and Connect the Cables to the Power Supply

---

**Task 1.** Raise the chair to the half base-up position.

**Task 2.** Turn off the power to the system.



**WARNING** Failure to turn off or disconnect the power before you begin this procedure can lead to product damage and result in serious injury or death.

---



**ATTENTION** Circuit boards are sensitive to static electricity. Electrostatic Discharge (ESD) precautions are required when touching a circuit board or making connections to or from the circuit board. Circuit boards should be installed only by an electrician or qualified service person.

---



**WARNING** Shock hazard. When you remove or replace the covers, take care not to damage any wiring or tubing. Verify that the covers are secure after you replace them.

---

**Task 3.** Complete the procedure for the system's configuration:



**CAUTION** Failure to provide range of motion for the cables can lead to product damage.

---

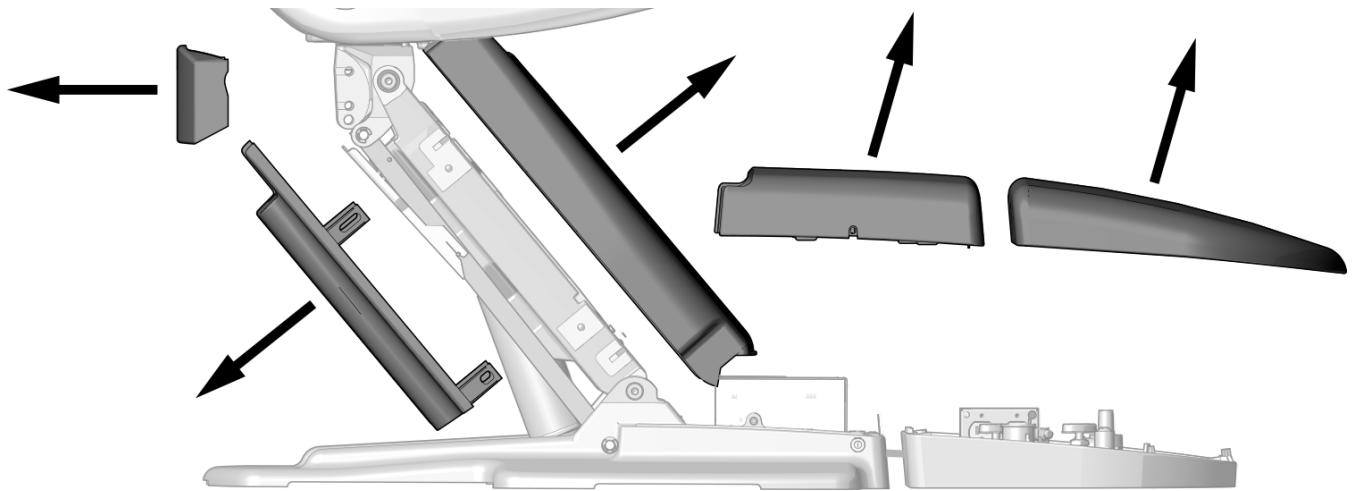
<b>Route the Cables from a Rigid Arm on an A-dec 311fit/311B Chair</b> .....	<b>19</b>
<b>Route the Cables from a Rigid Arm on an A-dec 411 Chair</b> .....	<b>23</b>
<b>Route the Cables from a Rigid Arm on an A-dec 511fit/511B Chair</b> .....	<b>31</b>
<b>Route the Cables from a Rigid Arm on an A-dec 511A Chair (manufactured after April 2011 only)</b> .....	<b>35</b>
<b>Route the Cables on an A-dec 362 Support Center</b> .....	<b>40</b>
<b>Route the Cables on an A-dec 363 Support Center</b> .....	<b>41</b>
<b>Route the Cables on an A-dec 200 Support Center</b> .....	<b>42</b>
<b>Connect the Cables in a 397 Specialty Cabinet</b> .....	<b>45</b>

## Route the Cables from a Rigid Arm on an A-dec 311ft/311B Chair

### Recommended Tools

- 3/16" hex key
- Diagonal cutters

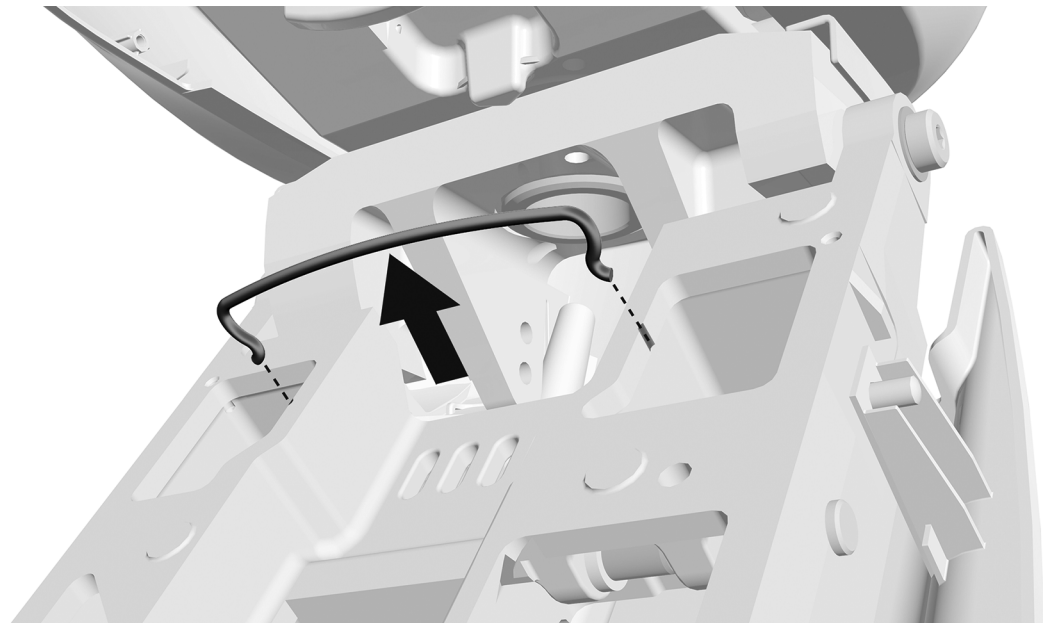
#### Task 1.



- 1 Remove these covers.

#### Task 2.

- 1 Remove the bail.

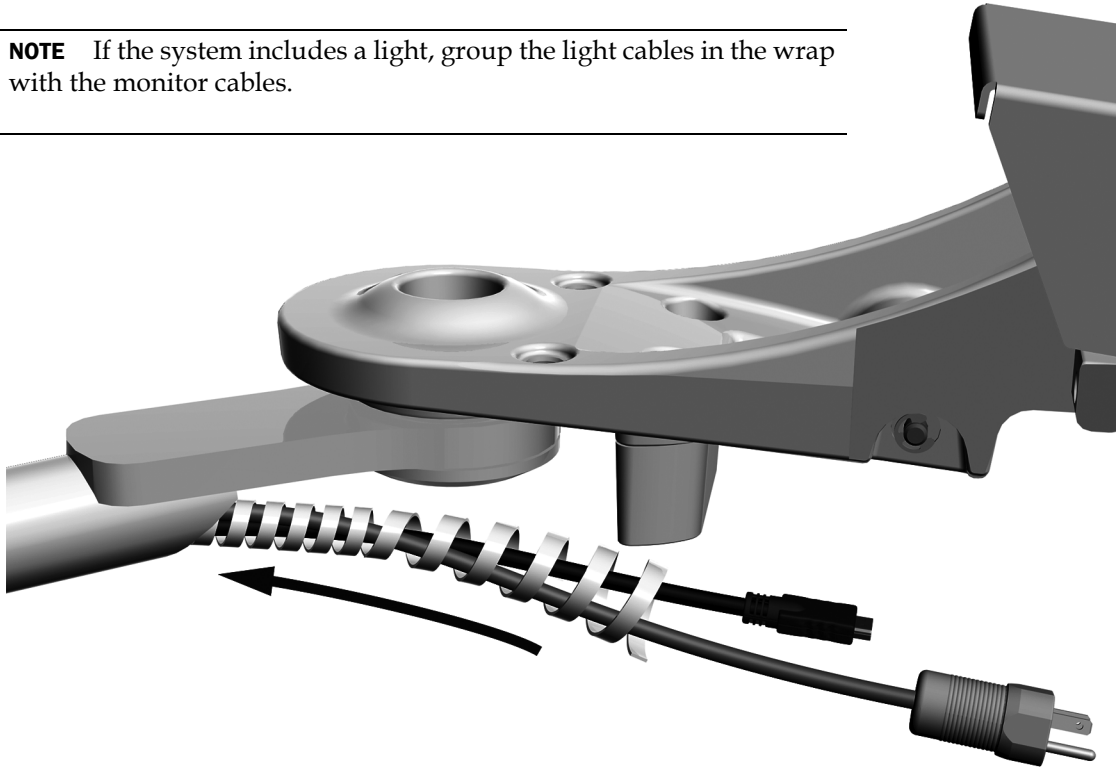


### Task 3.

- 1 Install the wrap around the cables.



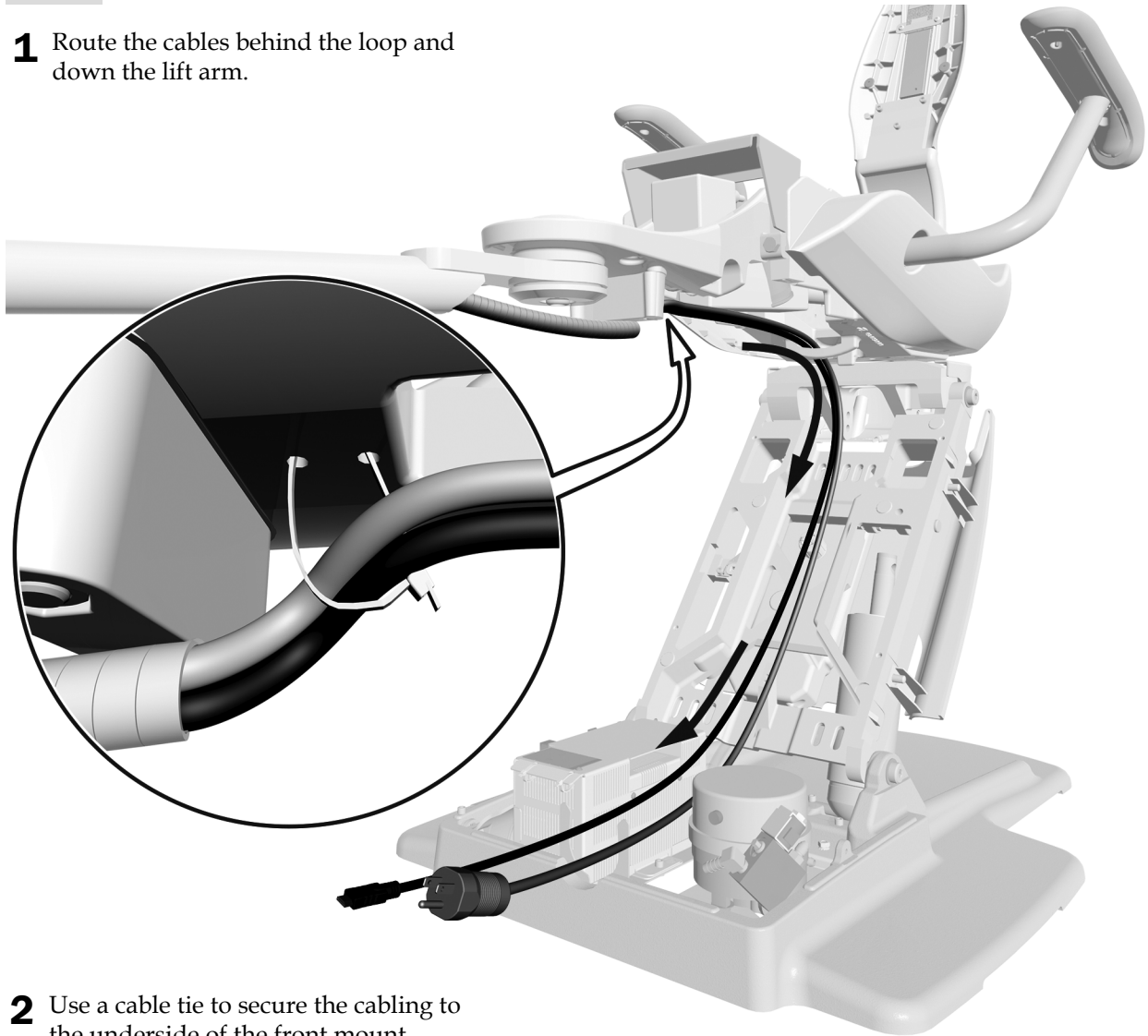
**NOTE** If the system includes a light, group the light cables in the wrap with the monitor cables.





**Task 4.**

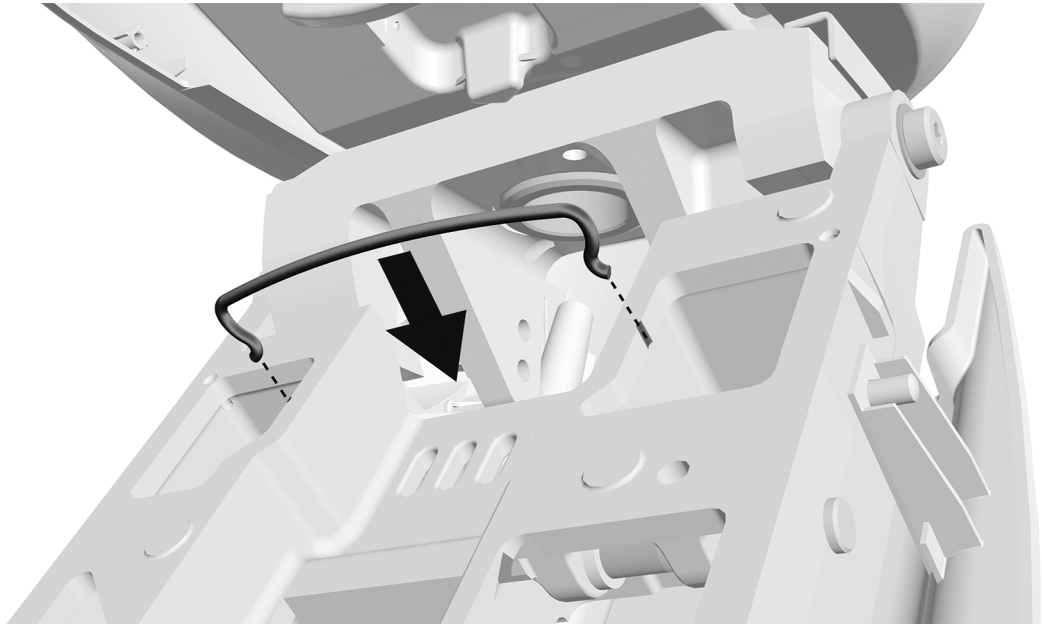
- 1** Route the cables behind the loop and down the lift arm.



- 2** Use a cable tie to secure the cabling to the underside of the front mount.

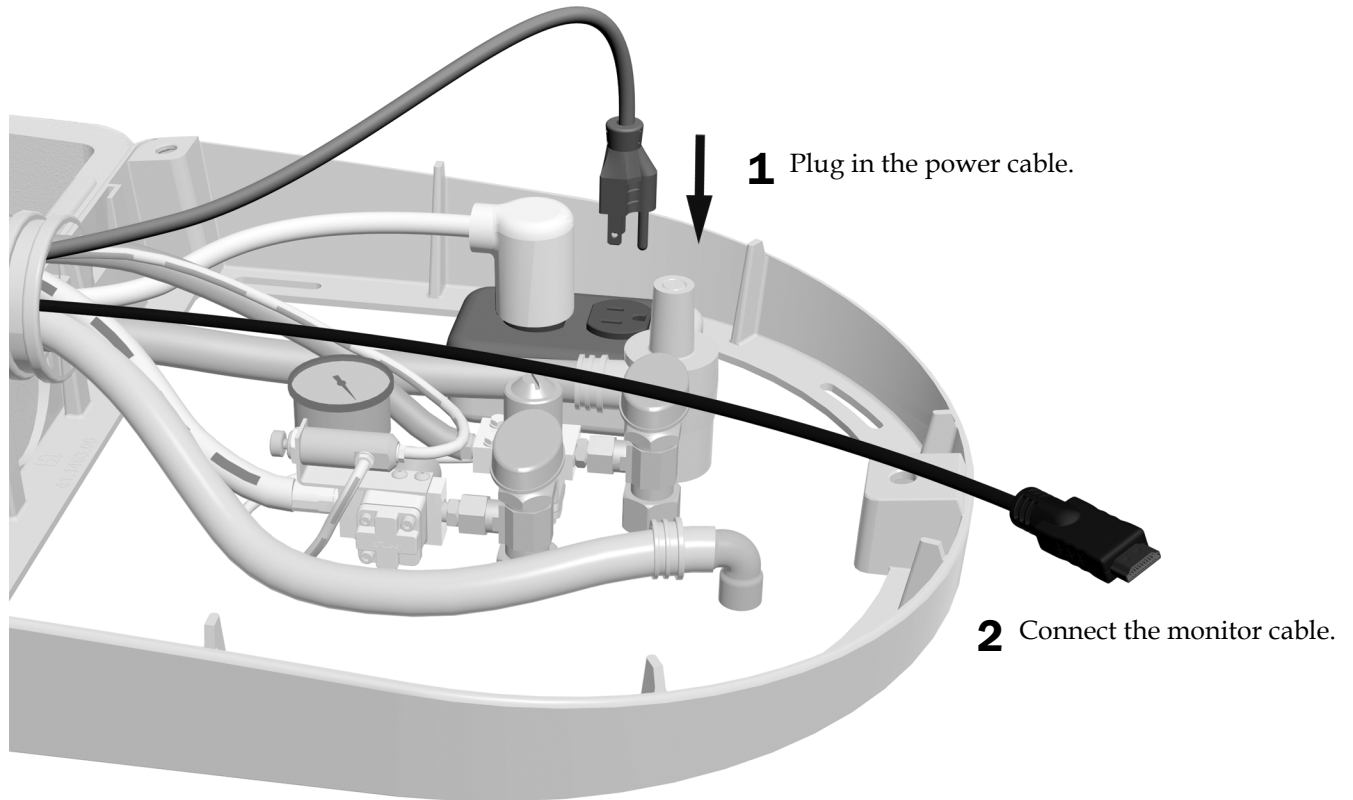
**Task 5.**

**1** Install the bail.



**Task 6.**

**1** Plug in the power cable.



**2** Connect the monitor cable.

**Next Step** See "Adjust the System" on page 46.

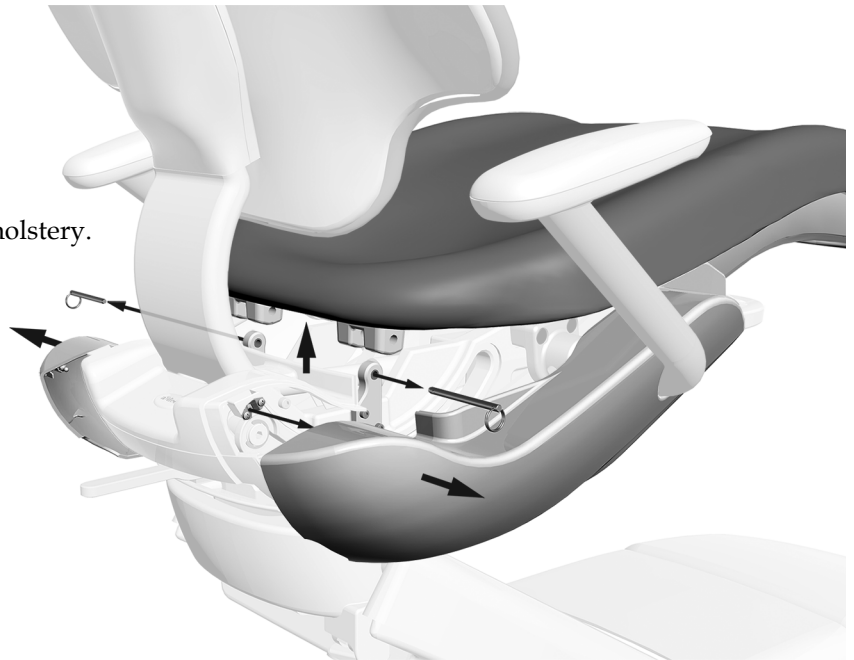
## Route the Cables from a Rigid Arm on an A-dec 411 Chair

### Recommended Tools

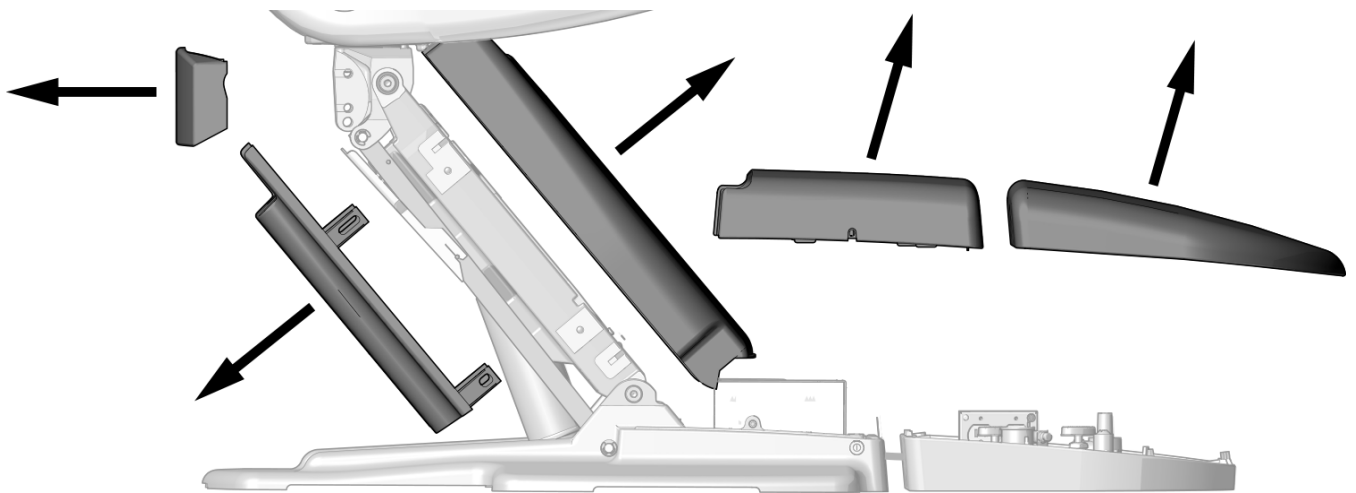
- 3/16" hex key
- Diagonal cutters

### Task 1.

- 1** Pull out the side covers.
- 2** Remove the pins securing the seat upholstery.
- 3** Remove the seat upholstery.

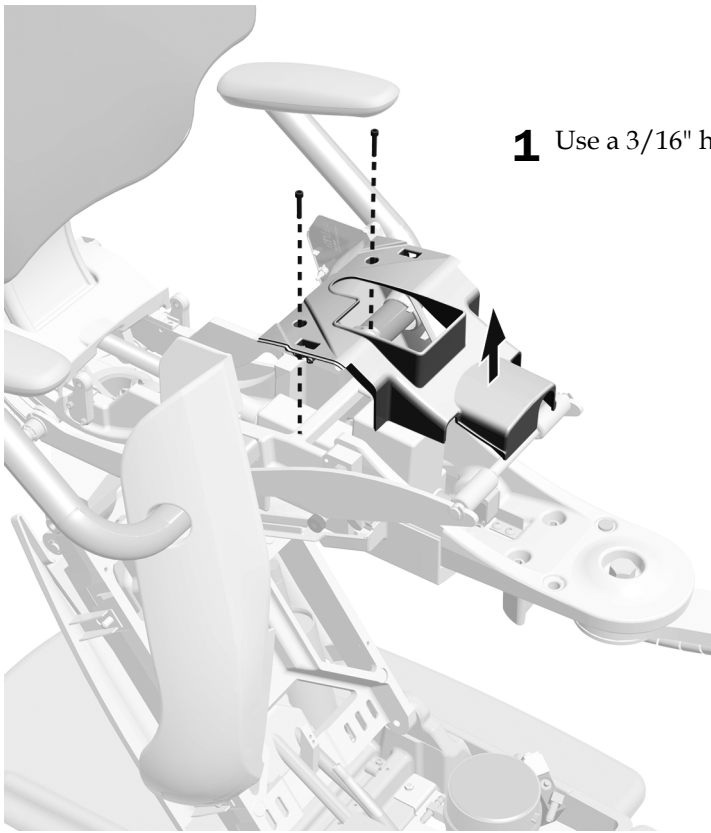


### Task 2.



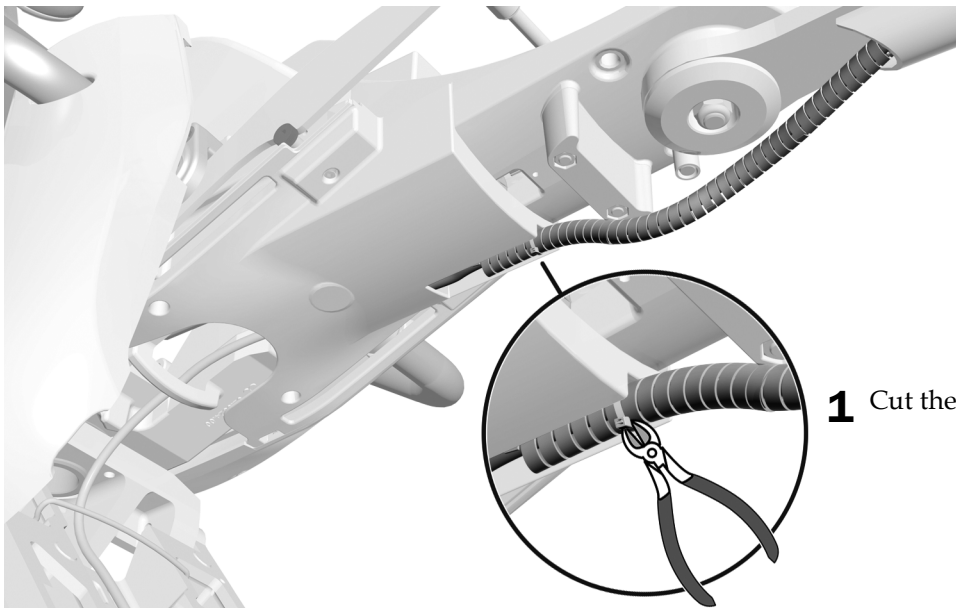
- 1** Remove these covers.

**Task 3.**



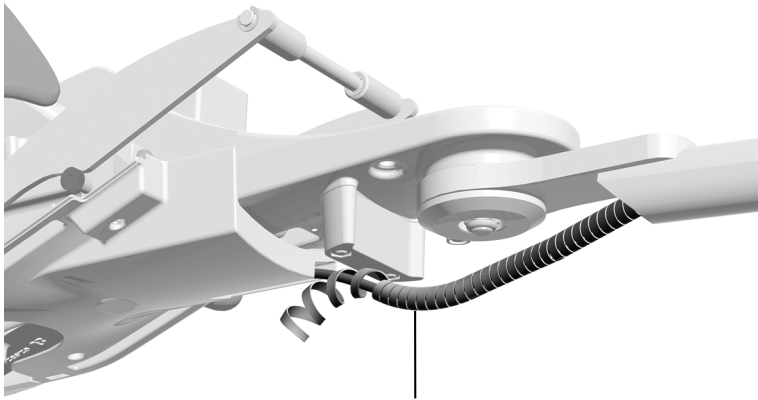
**1** Use a 3/16" hex key to remove the guard.

**Task 4.** If the system includes a previously installed dental light, complete this task and task 5.



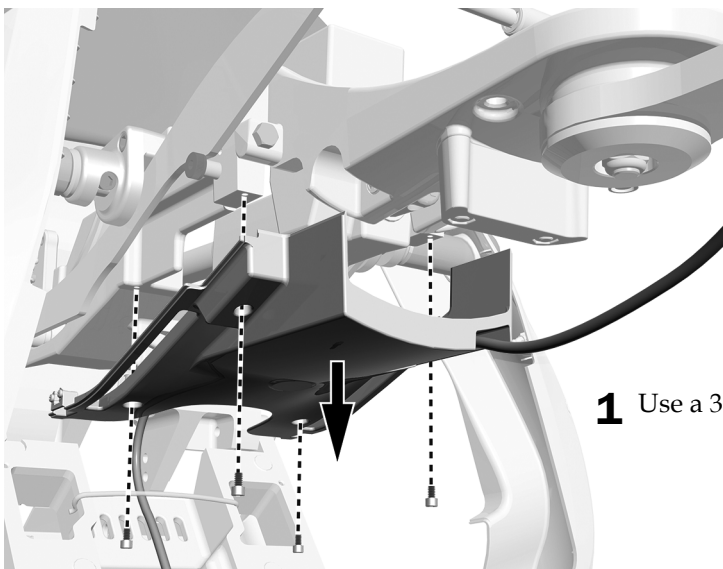
**1** Cut the cable tie.

**Task 5.**



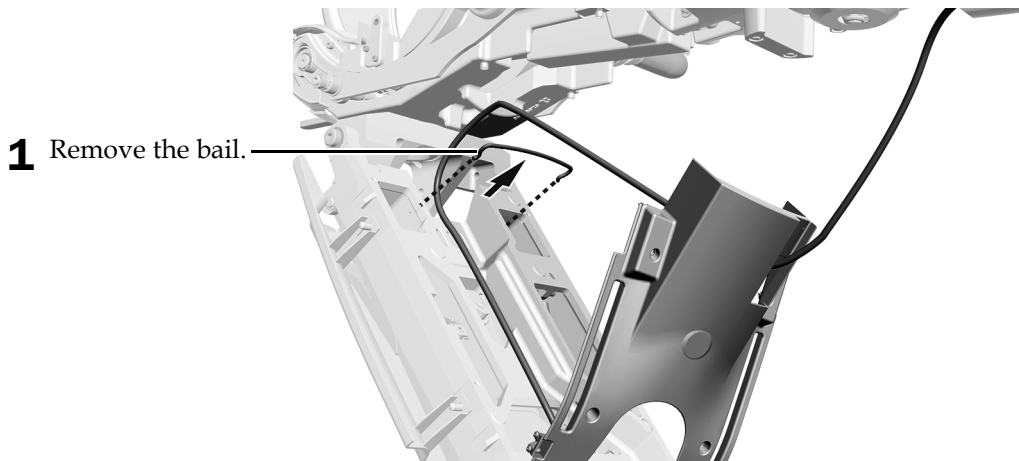
**1** Remove the umbilical wrap.

**Task 6.**



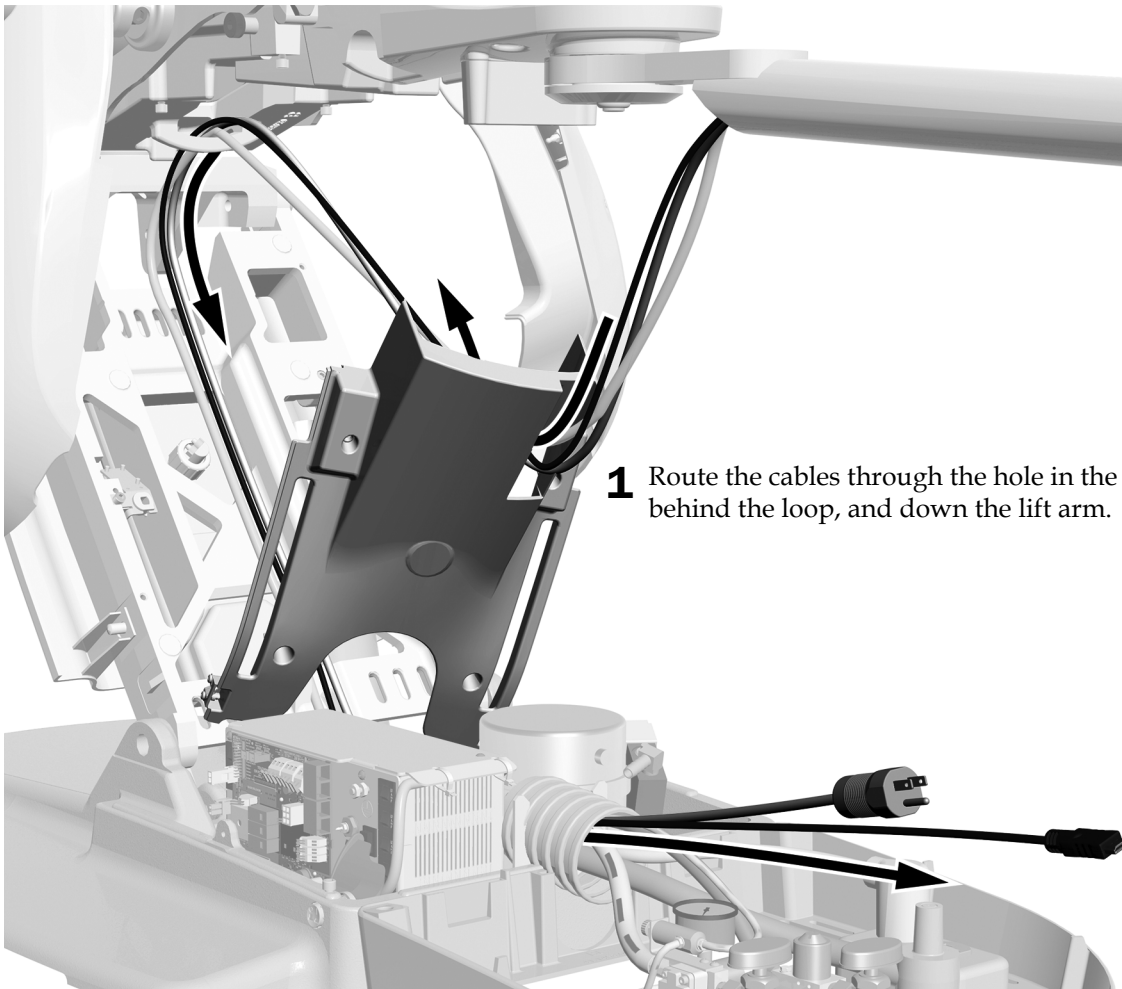
**1** Use a 3/16" hex key to remove the lower cover.

**Task 7.**



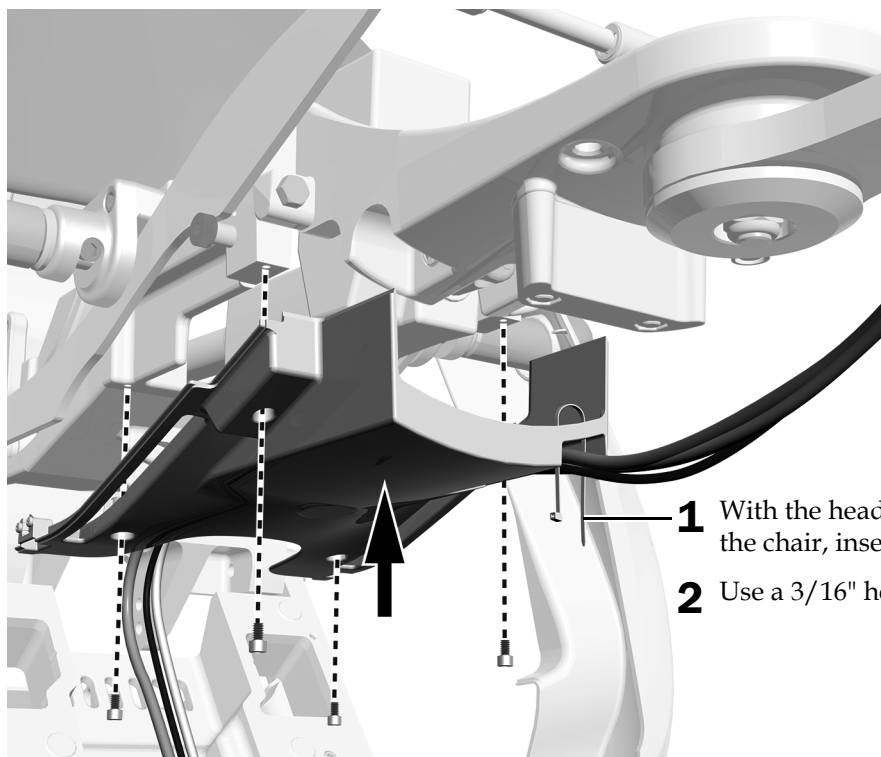
**1** Remove the bail.

**Task 8.**



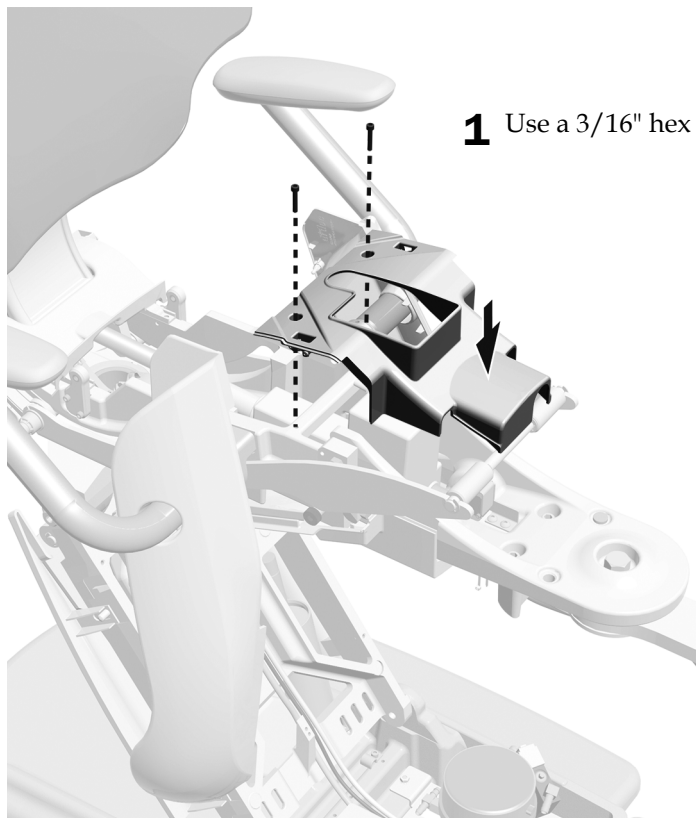
- 1** Route the cables through the hole in the lower cover, behind the loop, and down the lift arm.

**Task 9.**



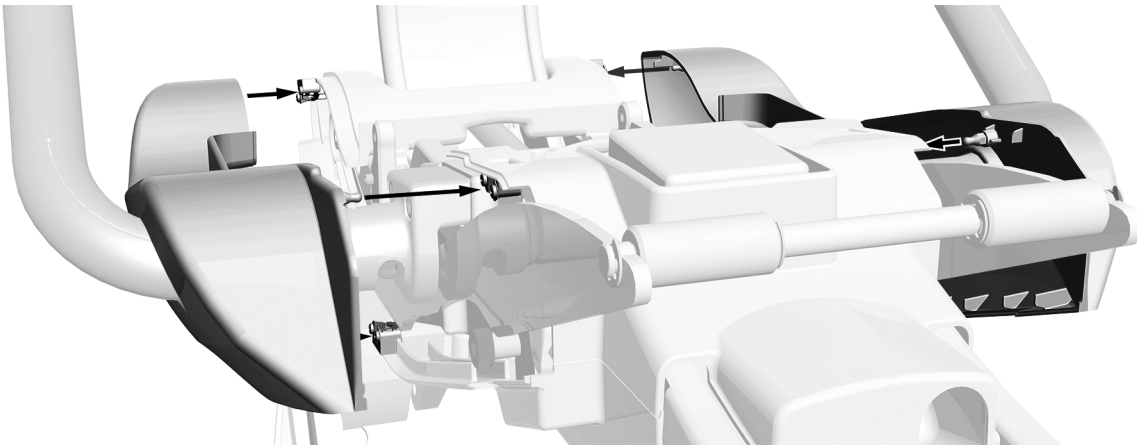
- 1** With the head of the cable tie toward the middle of the chair, insert it through the lower cover.
- 2** Use a 3/16" hex key to install the lower cover.

**Task 10.**



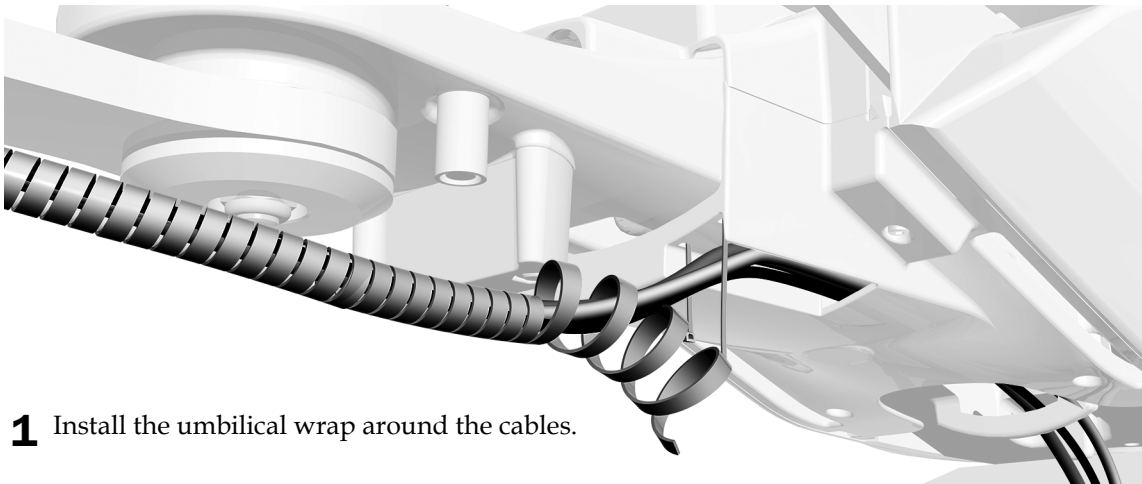
- 1** Use a 3/16" hex key to reinstall the guard.

**Task 11.**



- 1** Install the side covers.

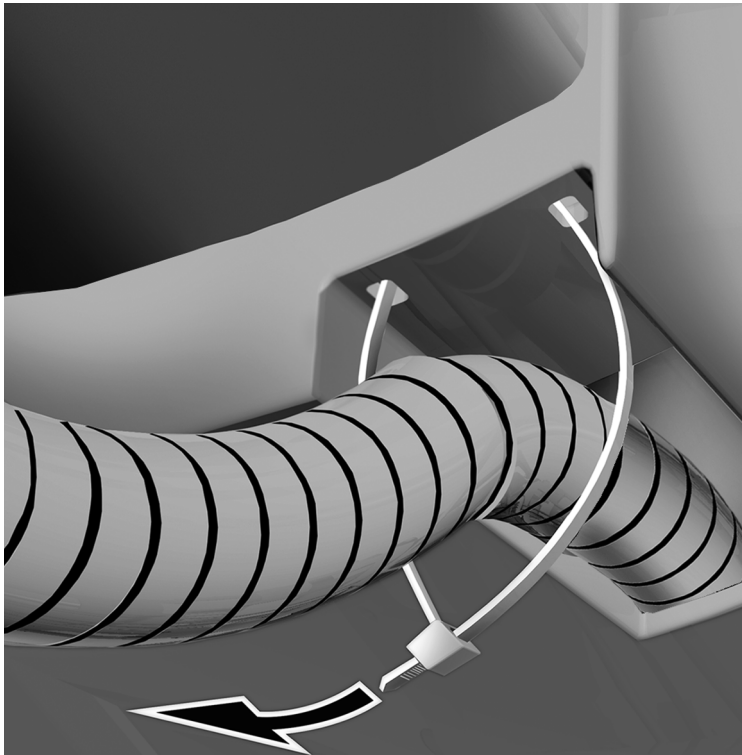
**Task 12.**



- 1** Install the umbilical wrap around the cables.



**Task 13.**



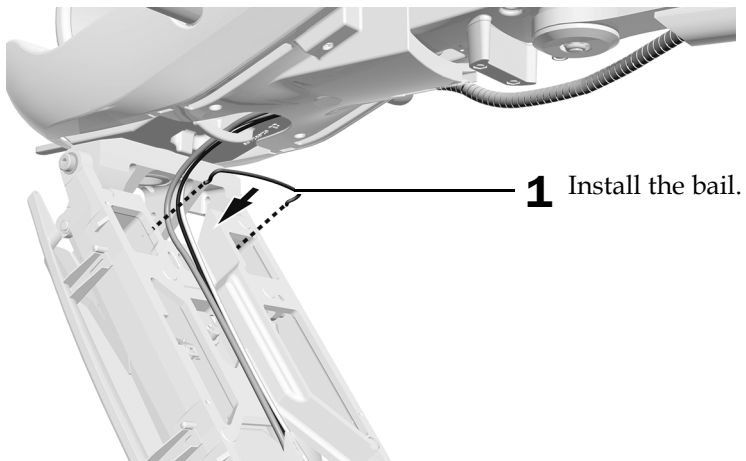
- 1** Position the wrap so it is 1" (2.5 cm) past the hole in the plastic cover.
- 2** Secure the wrap with the cable tie.

**Task 14.**

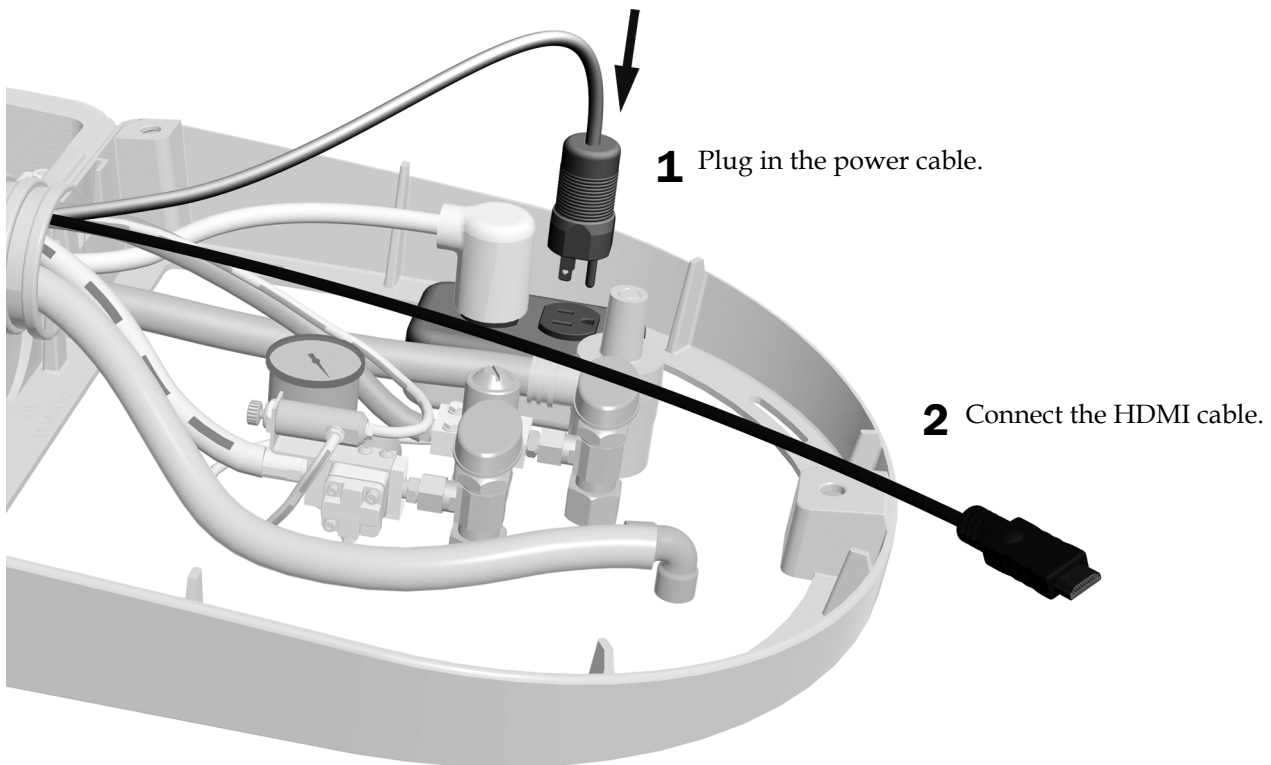


- 1** Rotate the cable tie connector toward the middle of the chair.
- 2** Trim the excess cable tie.

**Task 15.**



**Task 16.**



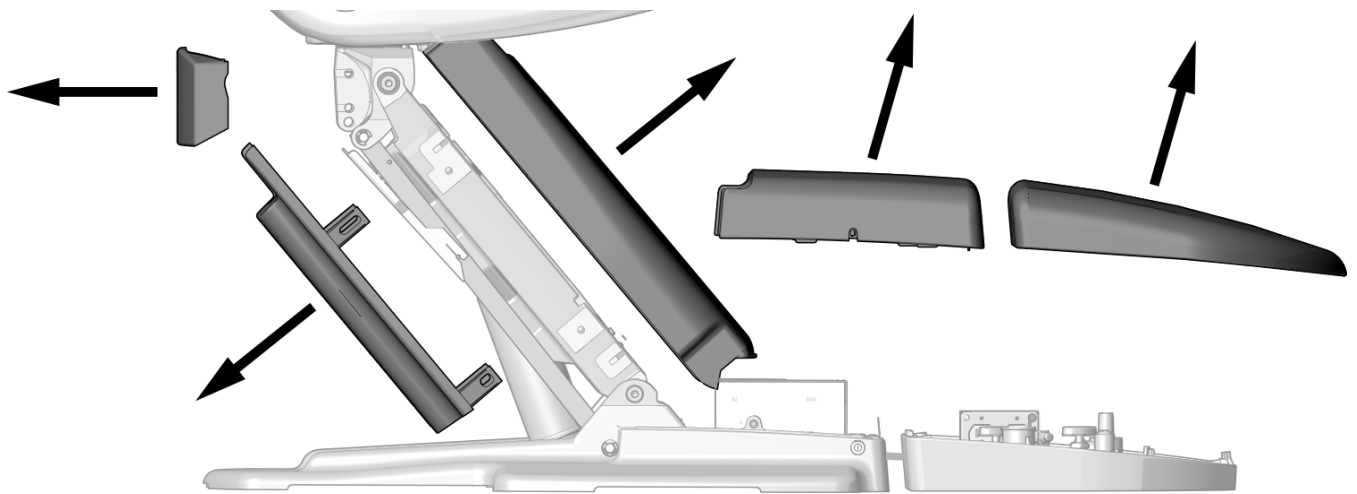
**Next Step** See "Adjust the System" on page 46.

## Route the Cables from a Rigid Arm on an A-dec 511ft/511B Chair

### Recommended Tool

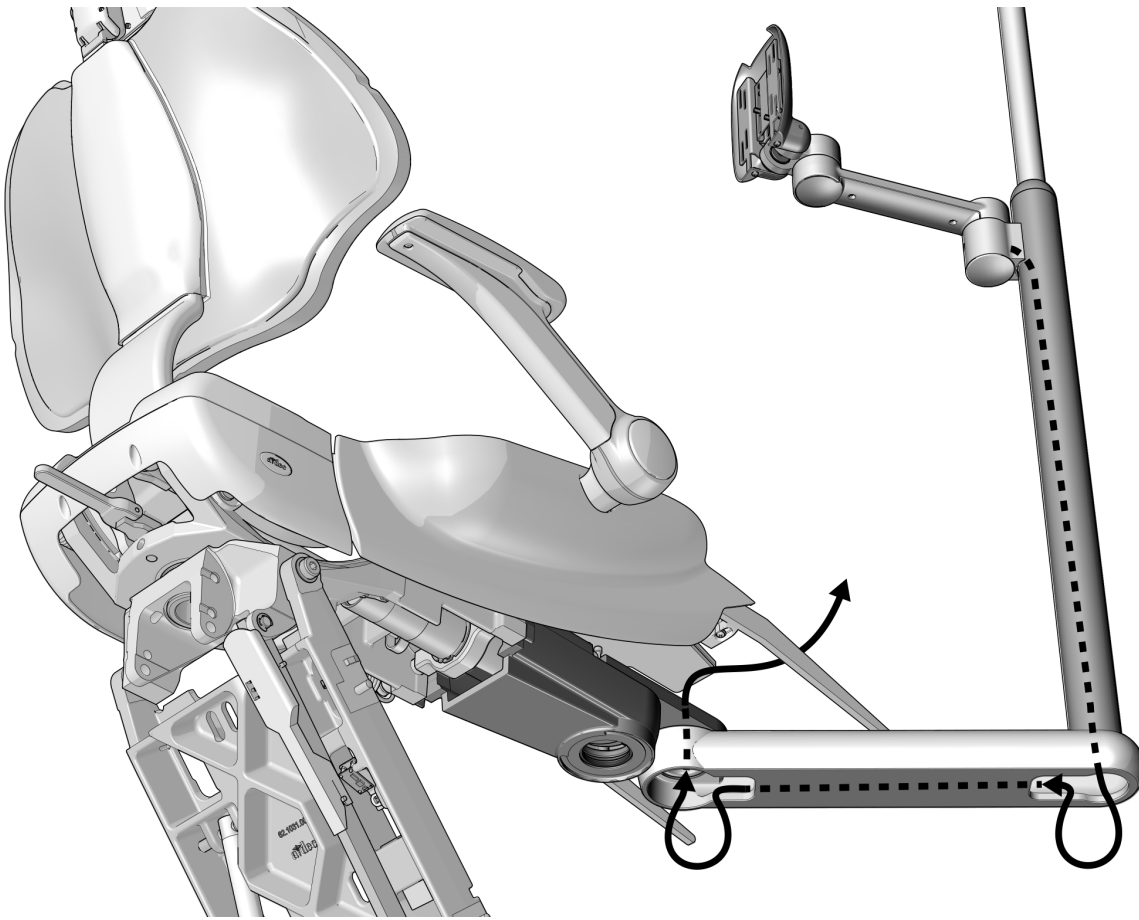
- 3/16" hex key

### Task 1.



- 1** Remove these covers.

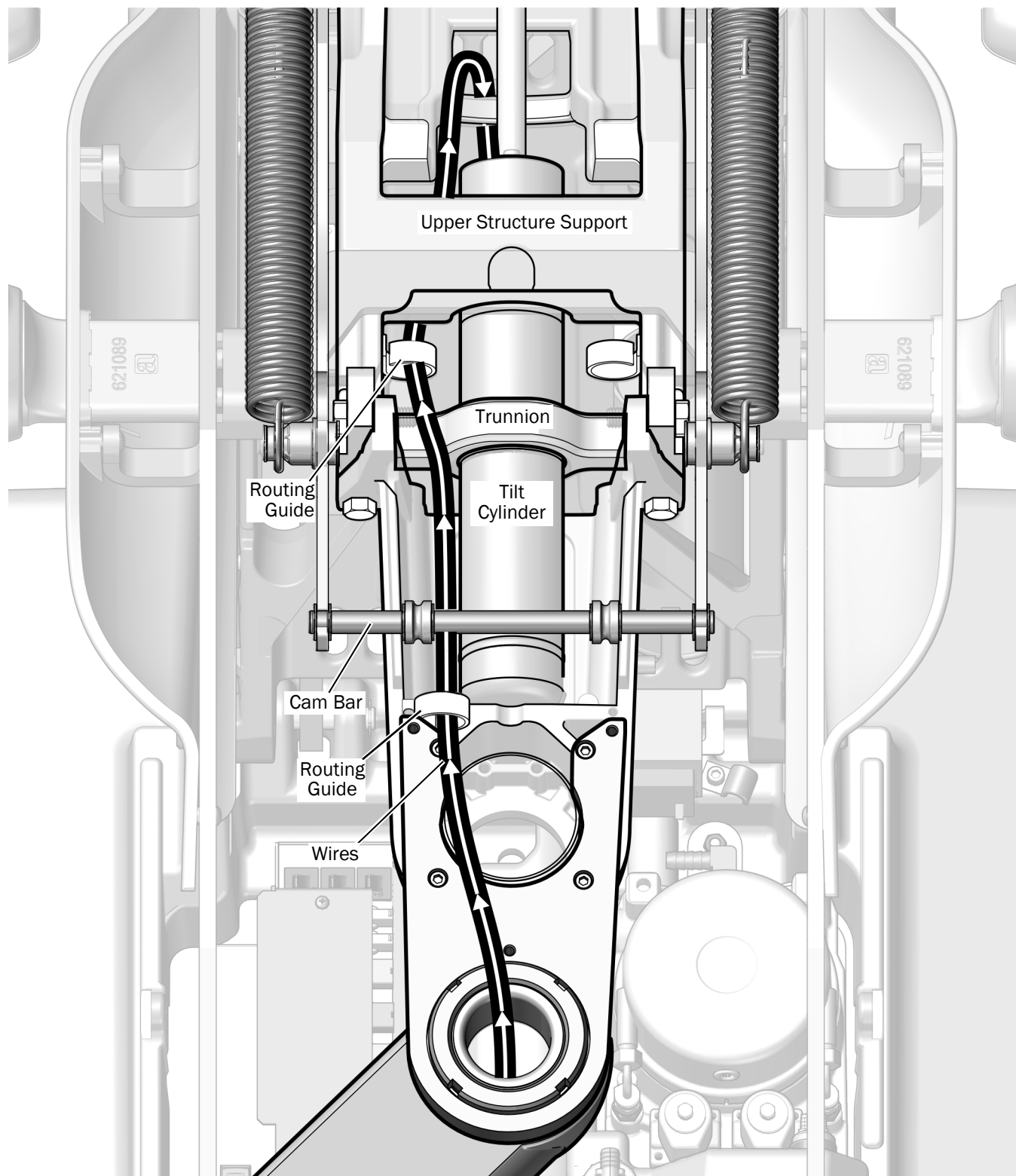
**Task 2.**



A-dec 511B Shown

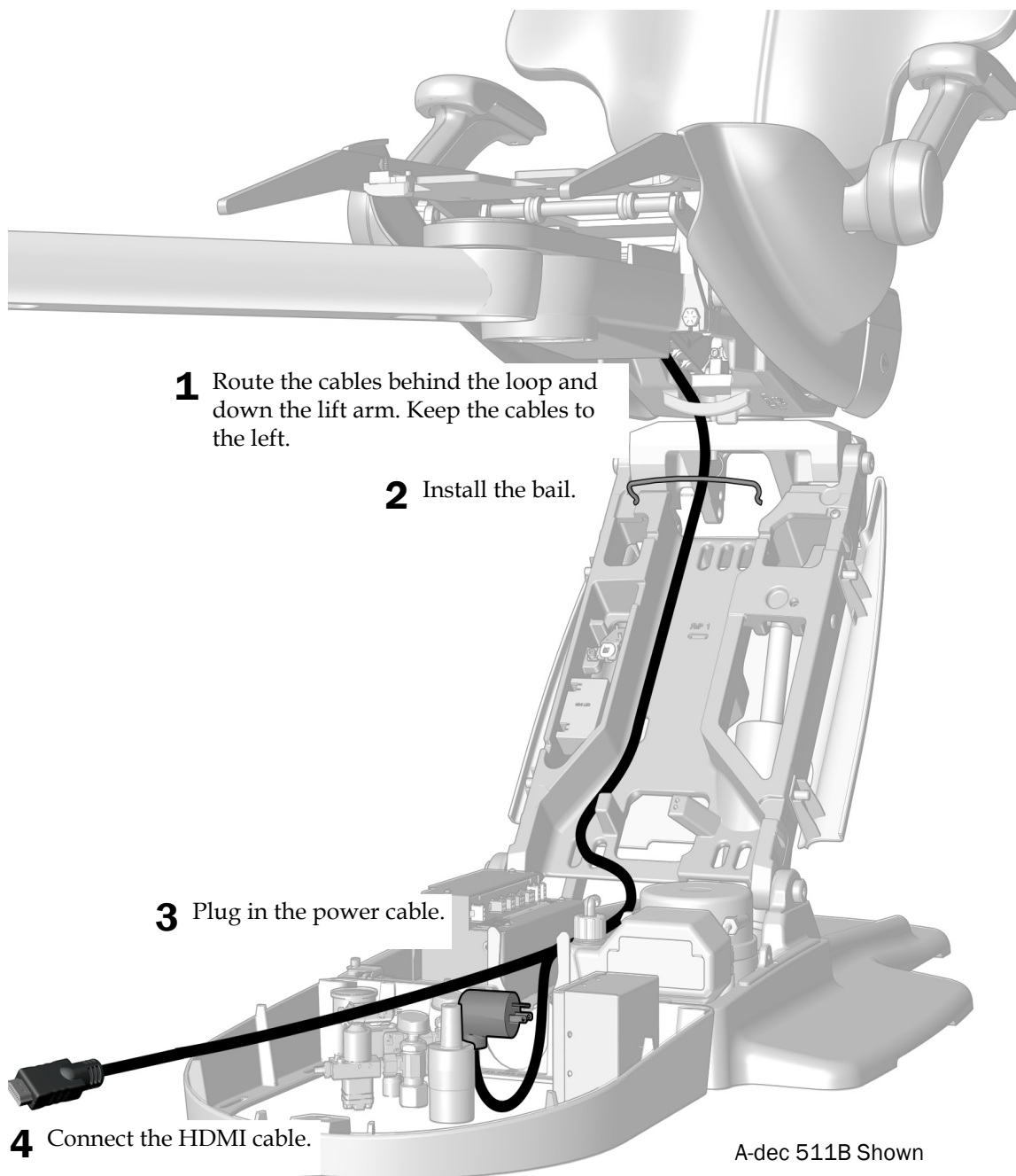
- 1** Route the cables down through the rigid arm and up through the hole in the front mount.

**Task 3.**



- 1** Route the cables as shown on the left, through the routing guides, and under the upper structure.

**Task 4.**



**Next Step** See "Adjust the System" on page 46.

## Route the Cables from a Rigid Arm on an A-dec 511A Chair (manufactured after April 2011 only)

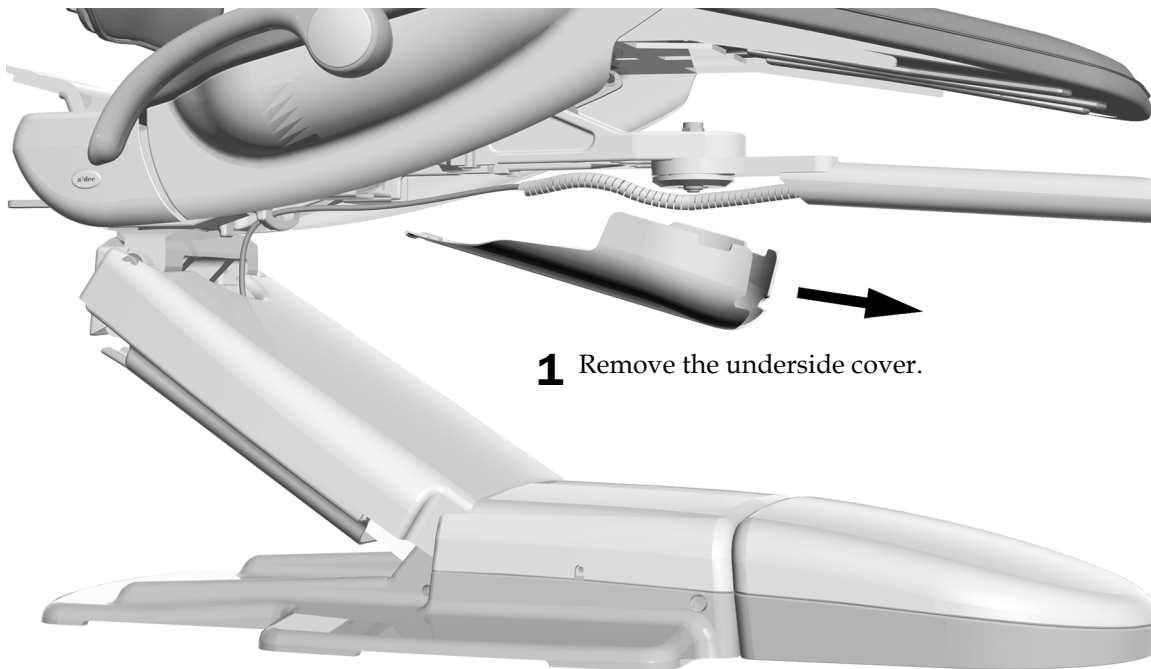


**NOTE** For A-dec 511A chairs manufactured before April 2011, see “Route the Cables on an A-dec 362 Support Center” on page 40.

### Recommended Tool

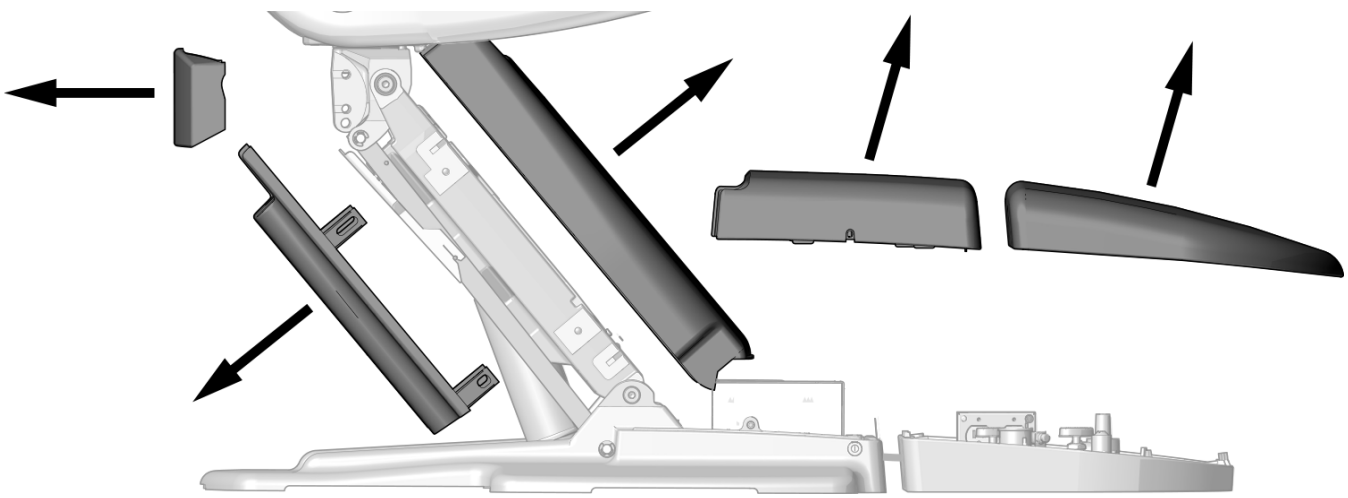
- 3/16" hex key

### Task 1.



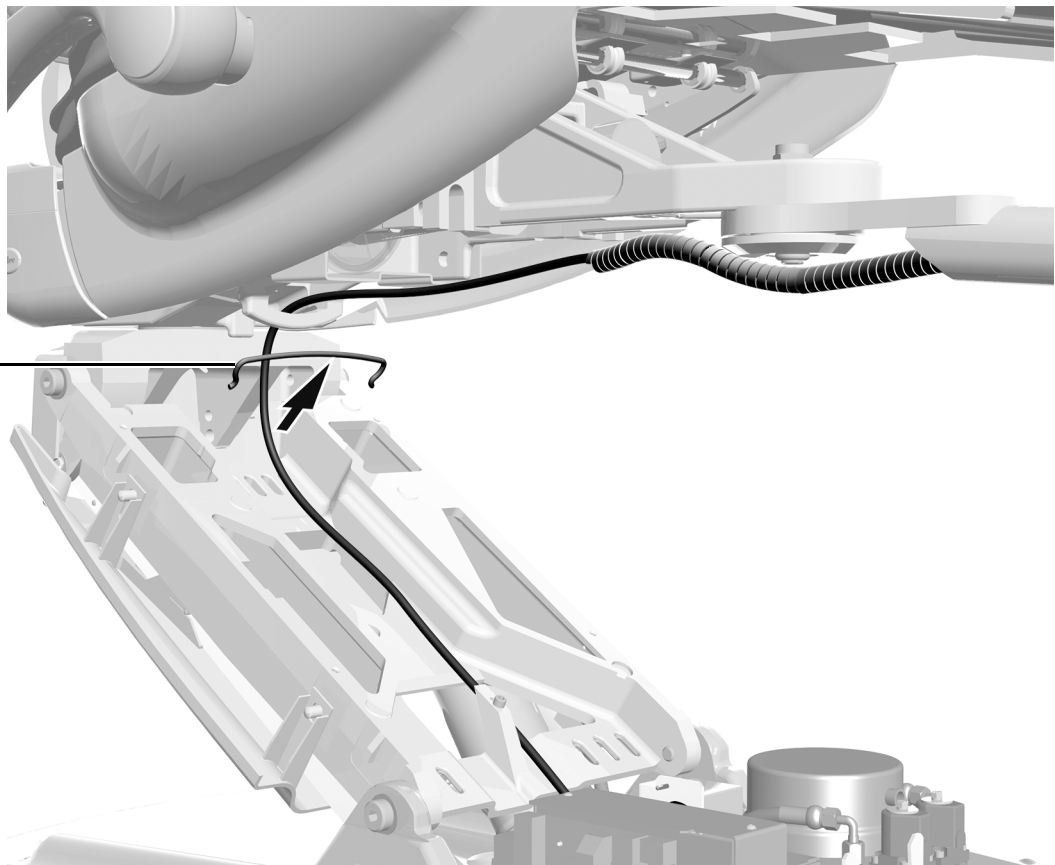
**1** Remove the underside cover.

**Task 2.**



**1** Remove these covers.

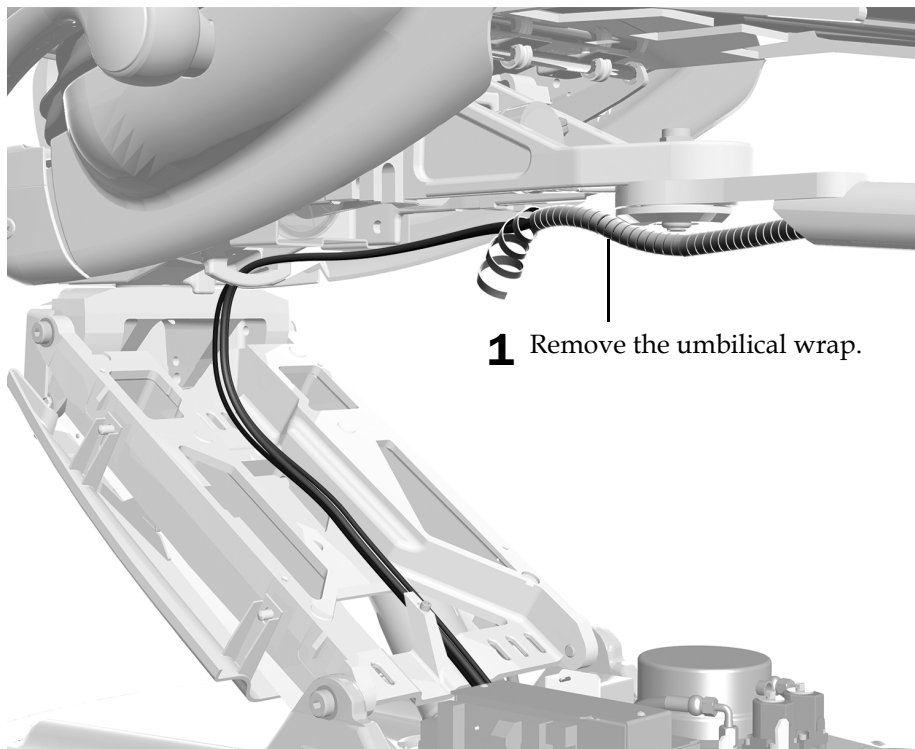
**Task 3.**



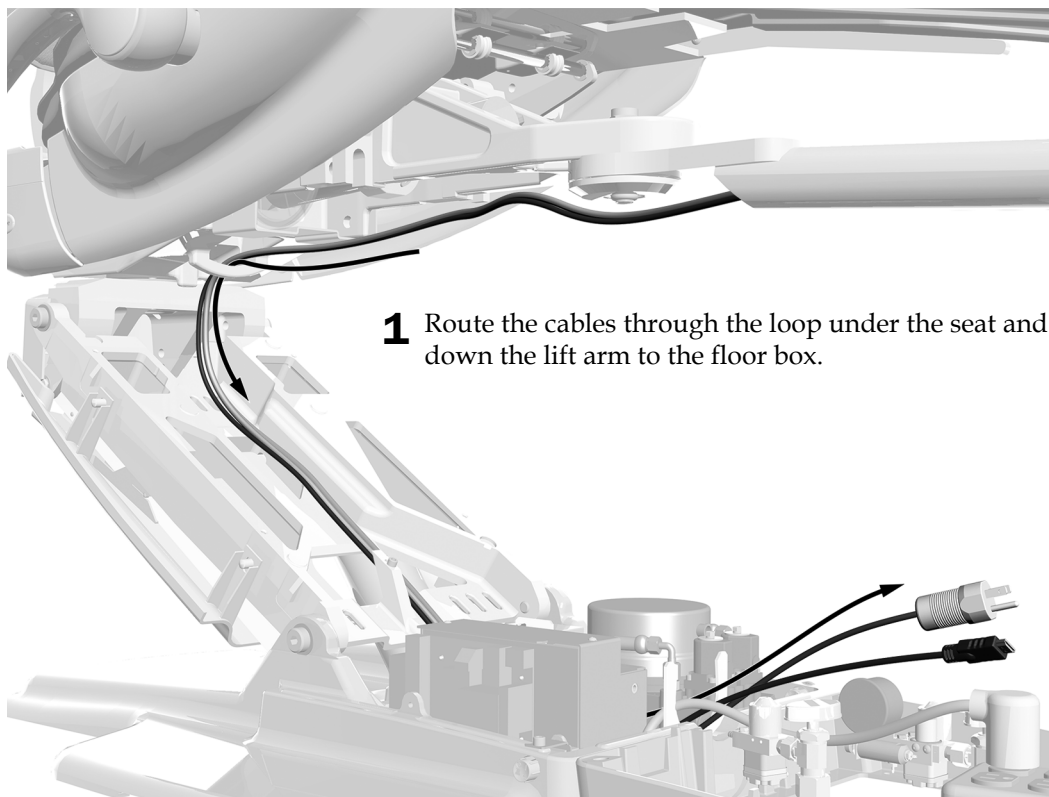
**1** Remove the bail.



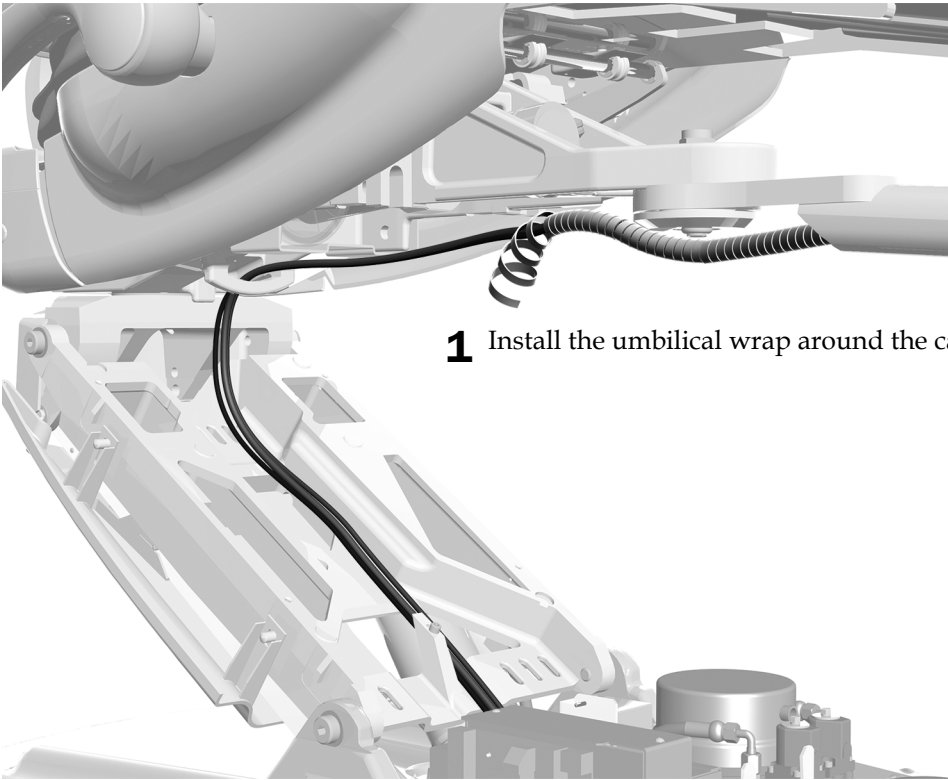
**Task 4.** If the system includes a previously installed dental light, complete this task.



**Task 5.**

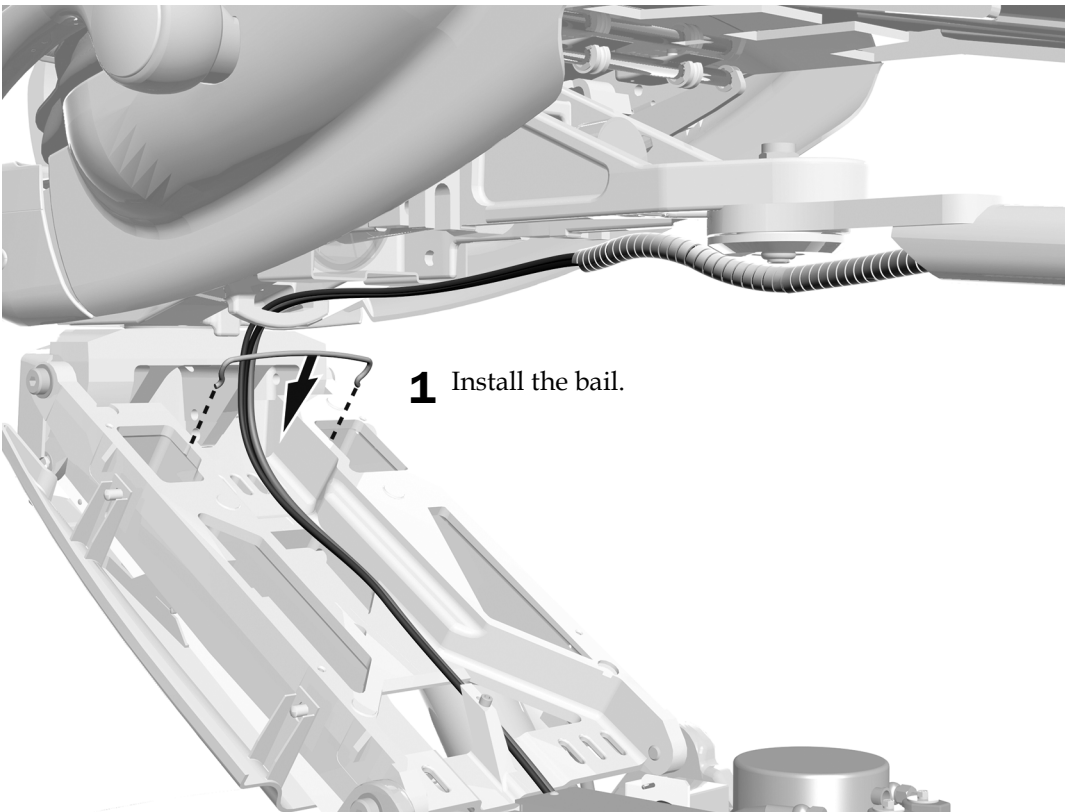


**Task 6.**



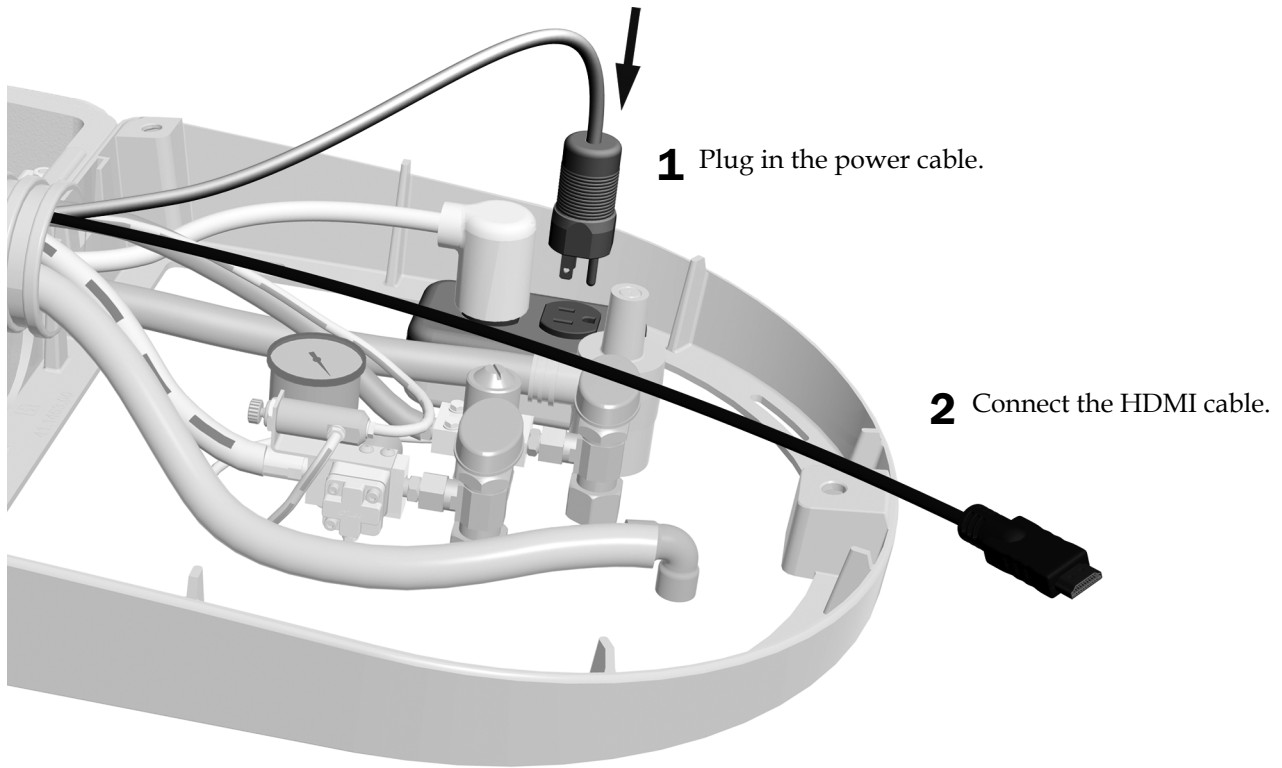
**1** Install the umbilical wrap around the cables.

**Task 7.**



**1** Install the bail.

**Task 8.**



**Next Step** See "Adjust the System" on page 46.

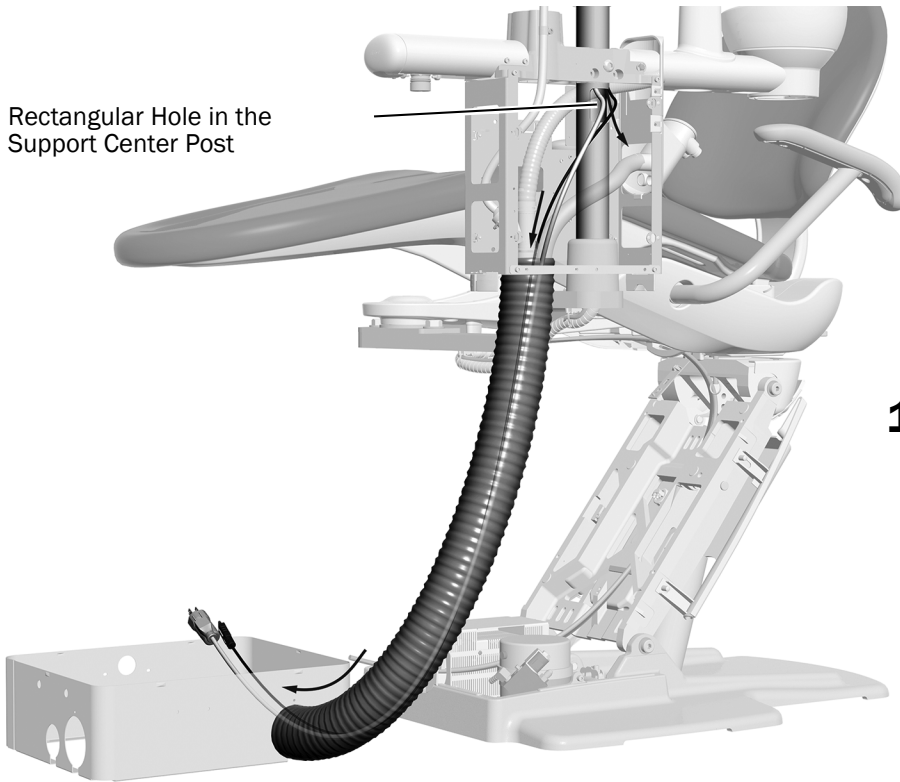
## Route the Cables on an A-dec 362 Support Center



**TIP** If this is part of an initial installation that includes other modules, for easier routing, route these cables later when you route the other modules' tubing and wires.

### Task 1.

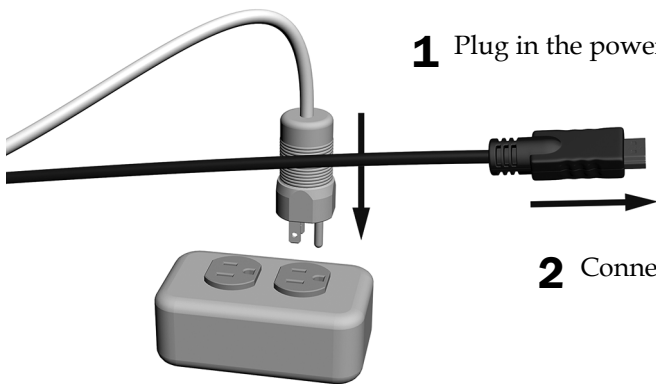
Rectangular Hole in the Support Center Post



A-dec 311 Dental Chair Shown

- 1** Route the cables out of the rectangular hole in the support center post and through the convolute to the floor box.

### Task 2.



- 1** Plug in the power cable.

- 2** Connect the HDMI cable.

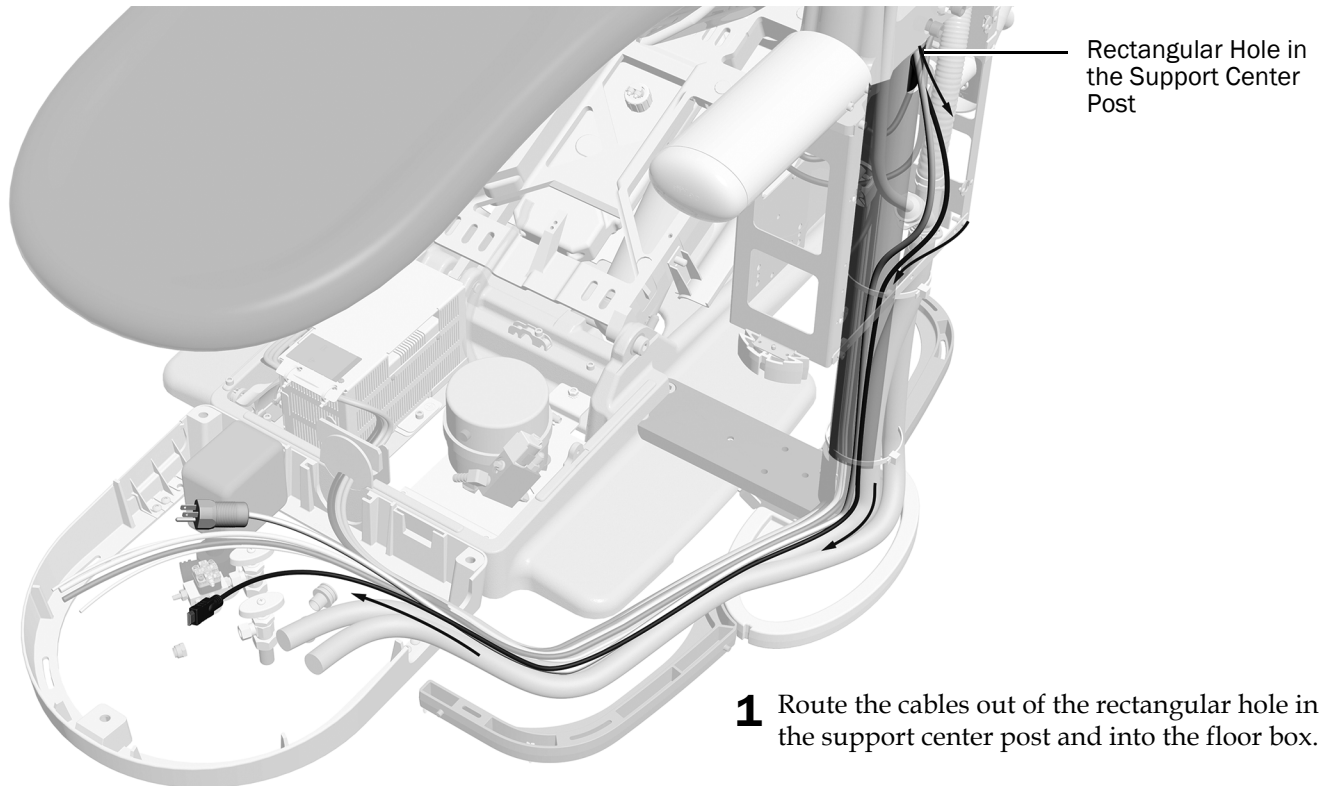
**Next Step** See "Adjust the System" on page 46.

## Route the Cables on an A-dec 363 Support Center

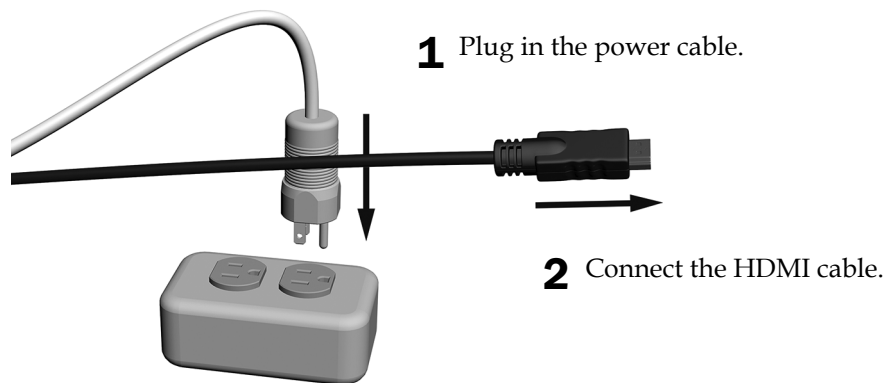


**TIP** If this is part of an initial installation that includes other modules, for easier routing, route these cables later when you route the other modules' tubing and wires.

### Task 1.



### Task 2.

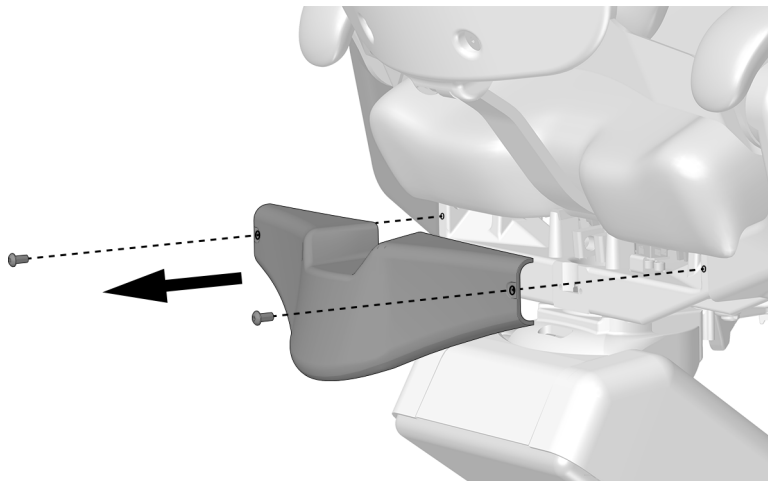


**Next Step** See "Adjust the System" on page 46.

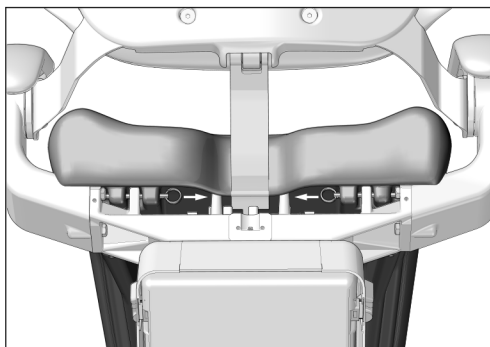
## Route the Cables on an A-dec 200 Support Center

### Task 1.

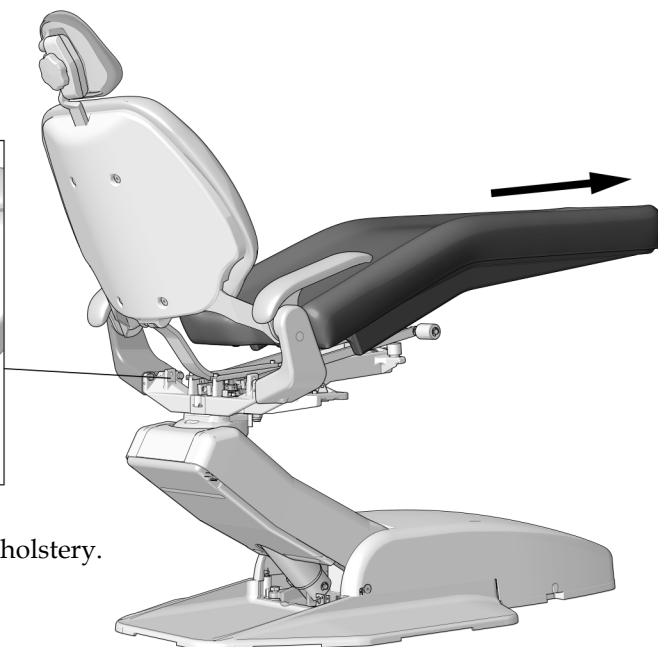
- 1 Use a 5/32" hex key to remove the cover.



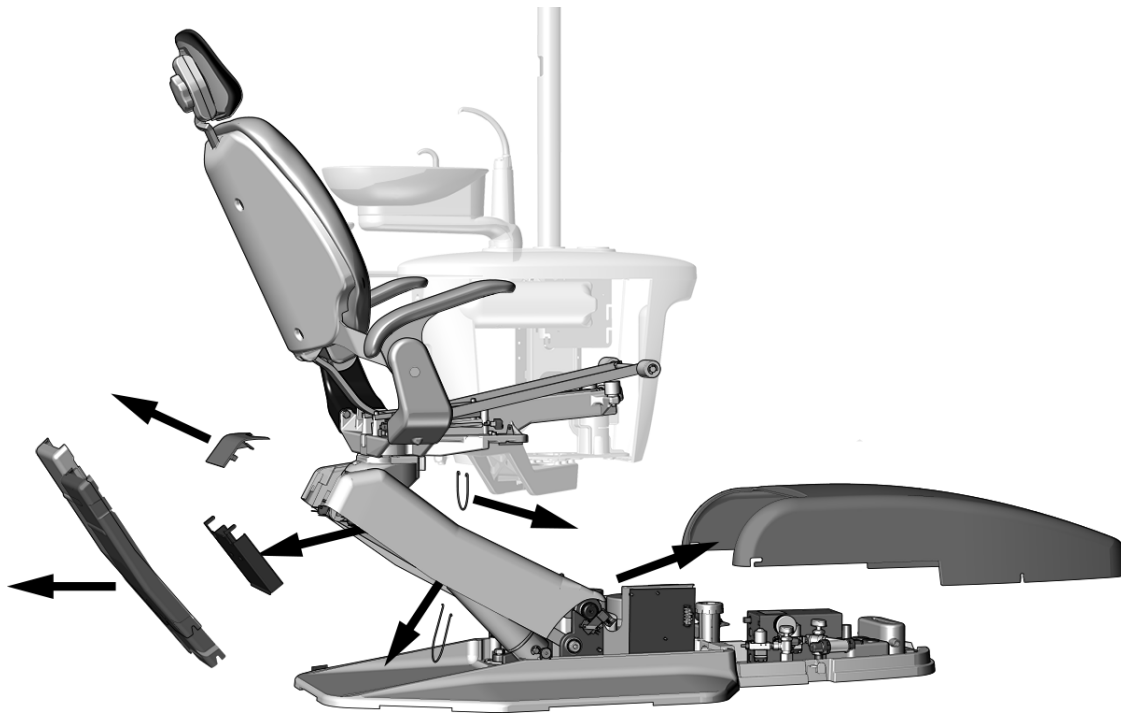
### Task 2.



- 1 Remove the pins securing the seat upholstery.
- 2 Remove the seat upholstery.



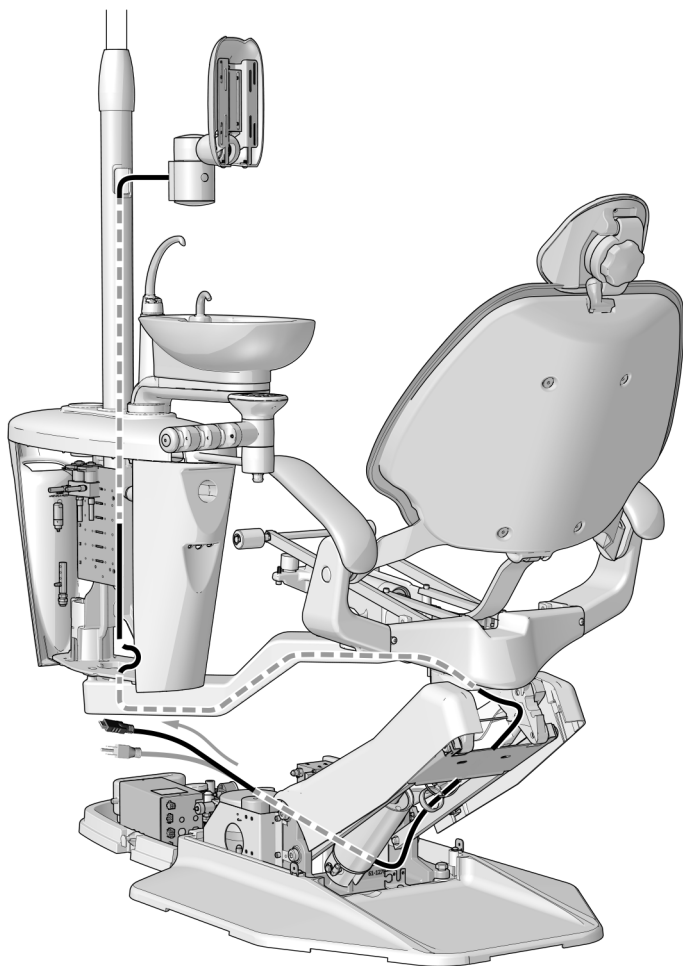
**Task 3.**



**1** Remove these covers.

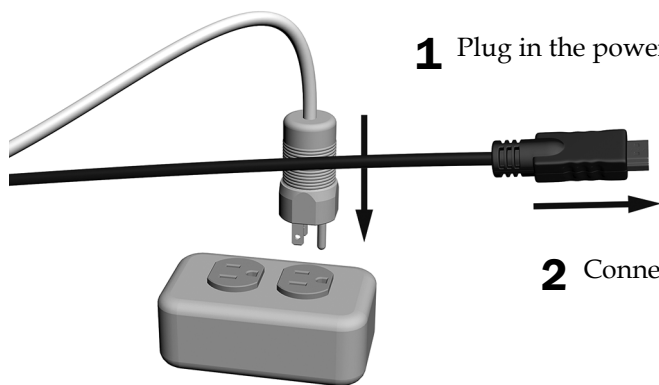
**2** Remove the bails.

**Task 4.**



- 1** Route the cables out of the support center, under the adaptor arm, through the upper structure, and into the floor box.
- 2** Install the umbilical wrap around the cables.
- 3** Use cable ties to secure the wrap where necessary.

**Task 5.**



- 1** Plug in the power cable.

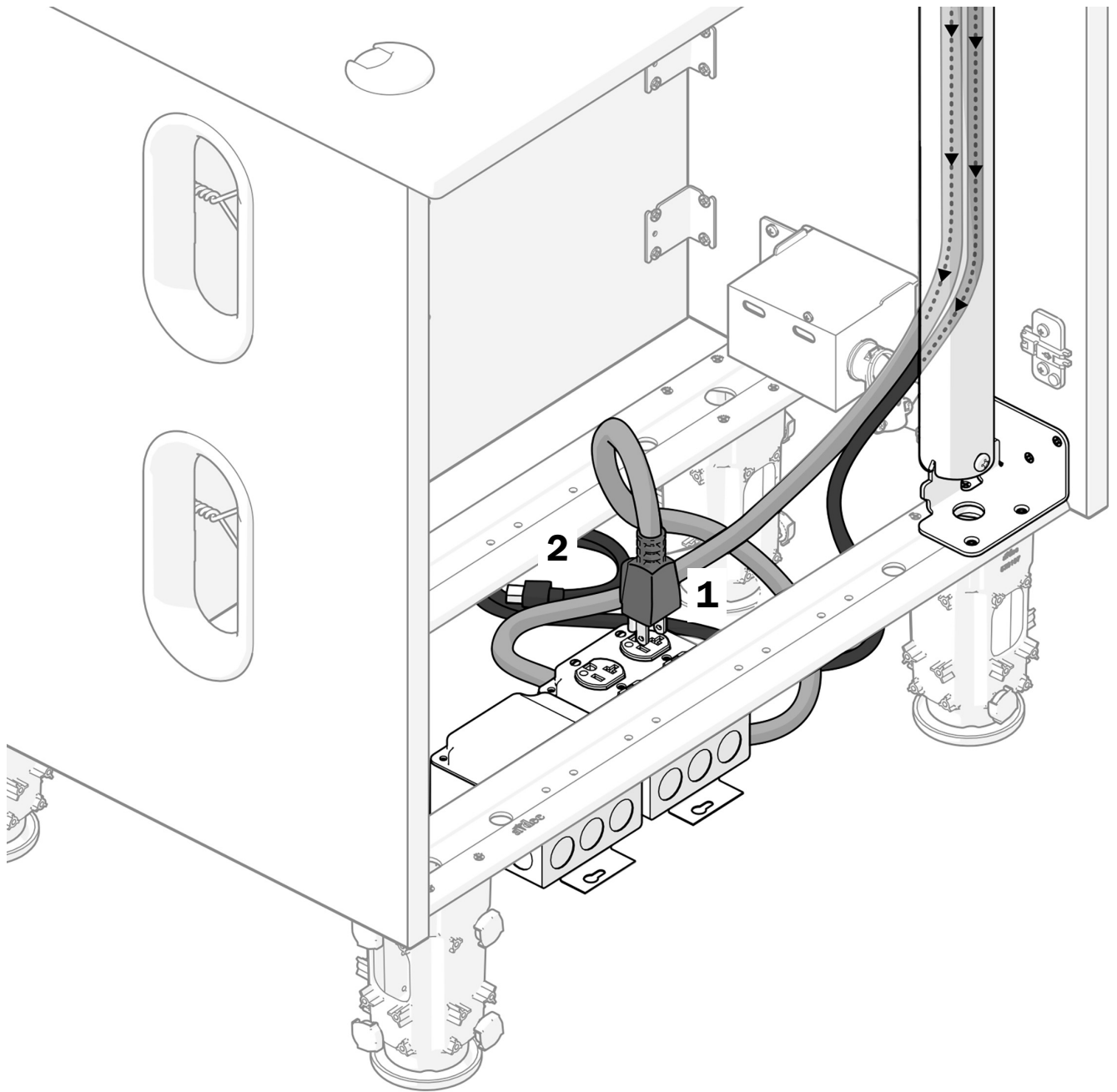
- 2** Connect the HDMI cable.

**Next Step** See "Adjust the System" on page 46.



## Connect the Cables in a 397 Specialty Cabinet

### Task 1.



**1** Plug in the power cable.

**2** Connect the HDMI cable.

**Next Step** See "Adjust the System" on page 46.

## Adjust the System

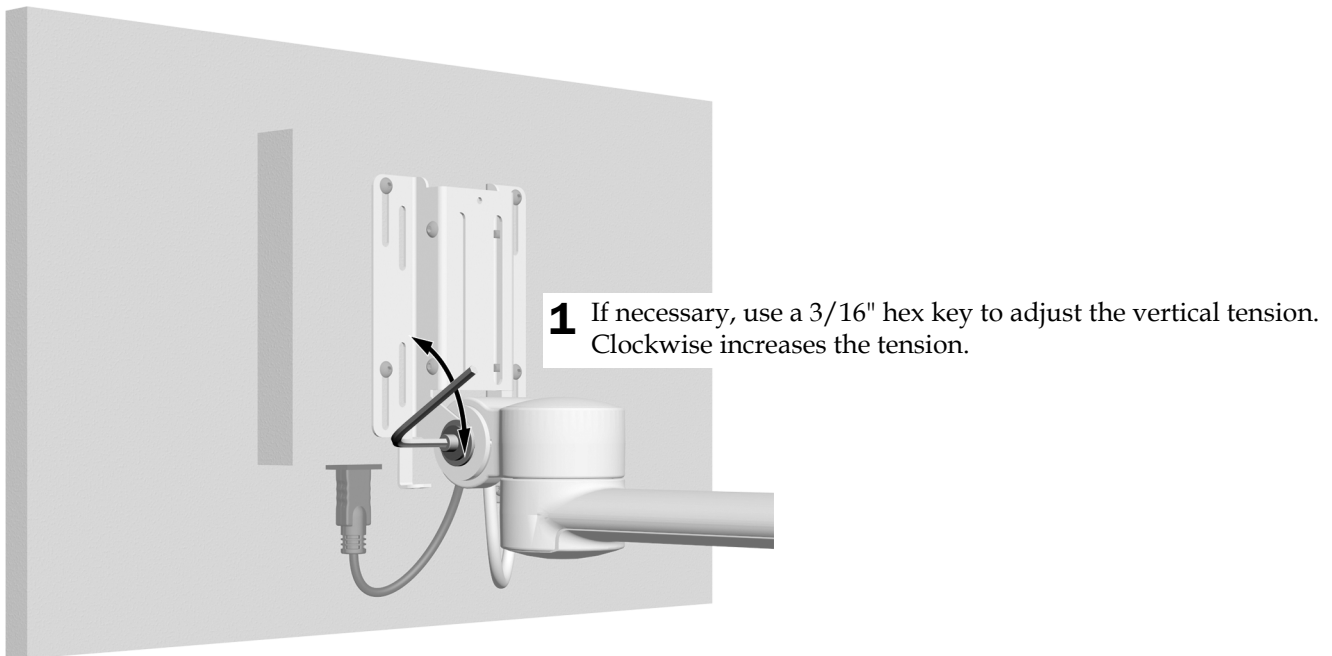
---

### Adjust the Vertical Tension

The vertical tilt tension should prevent the monitor from drifting down but allow the monitor to be repositioned without requiring significant force.

#### Recommended Tool

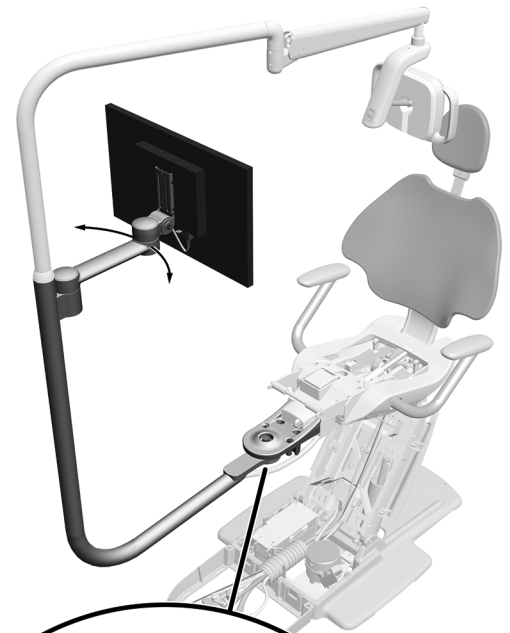
- 3/16" hex key



## Adjust the Rigid Arm Tension (311ft/311B/411/511A/511ft Only)

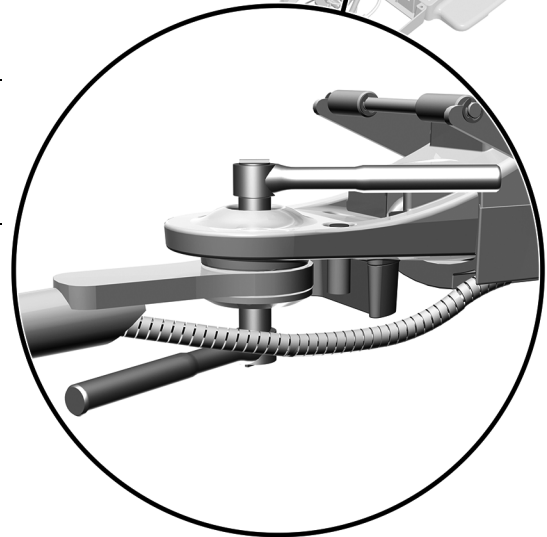
### Recommended Tools

- 15/16" socket and ratchets (2)



**NOTE** Complete this procedure to minimize the amount of unintentional dental light rigid arm movement when adjusting the position of the monitor.

- 1** Place the monitor mount in working position.
- 2** Tighten the lower nut.



A-dec 411 Dental Chair Shown with  
A-dec 372L Dental Light and  
A-dec 482 Monitor Mount

## Test the System

---

Once the monitor is connected to a computer system, test the following:

- When you reposition the monitor, it moves smoothly, and the light rigid arm holds its position.
- After the monitor is in position, it doesn't drift.
- When you turn on the power to the monitor, it functions correctly.

## Install the Covers

---

### Install the Monitor Mount Back Cover

---



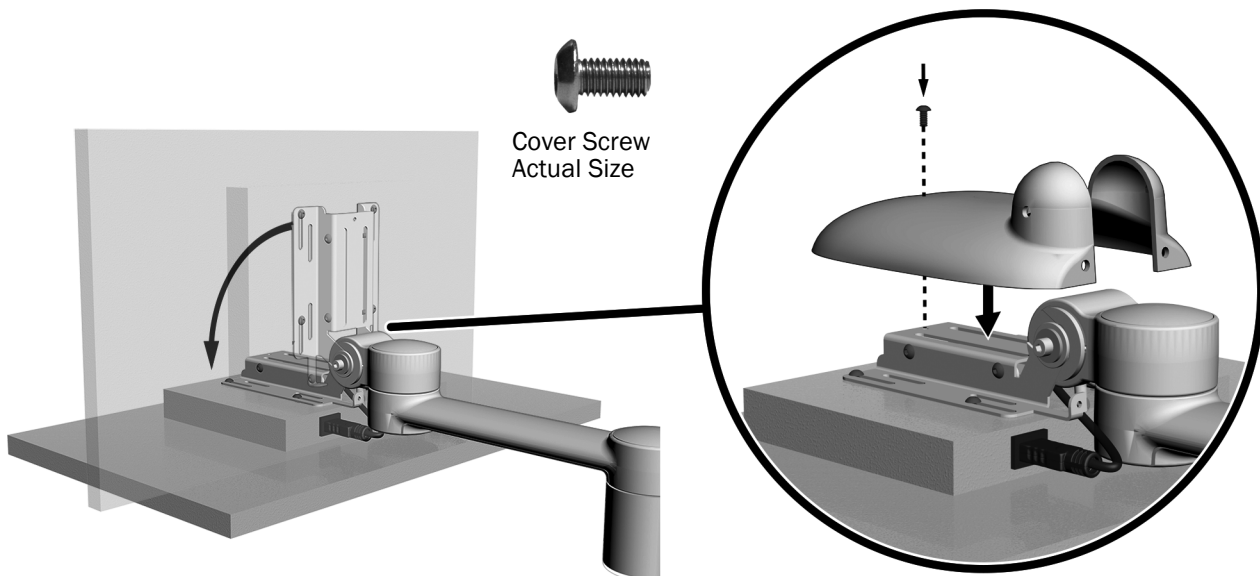
**CAUTION** When removing or replacing covers, take care not to damage any wiring or tubing. Verify that the covers are secure after replacing them.

---

### Recommended Tool

- 1/8" hex key

### Task 1.

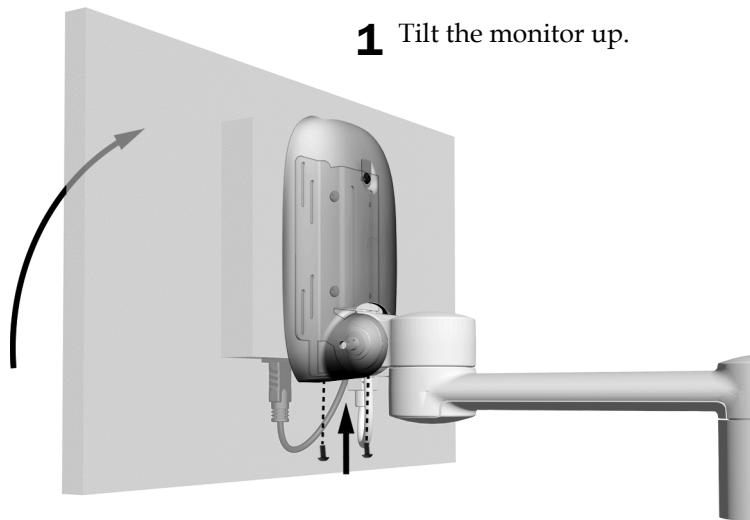


**1** Tilt the monitor down as far as you can.

**2** Place the cover over the bracket.

**3** Use a 1/8" hex key to install the top screw.

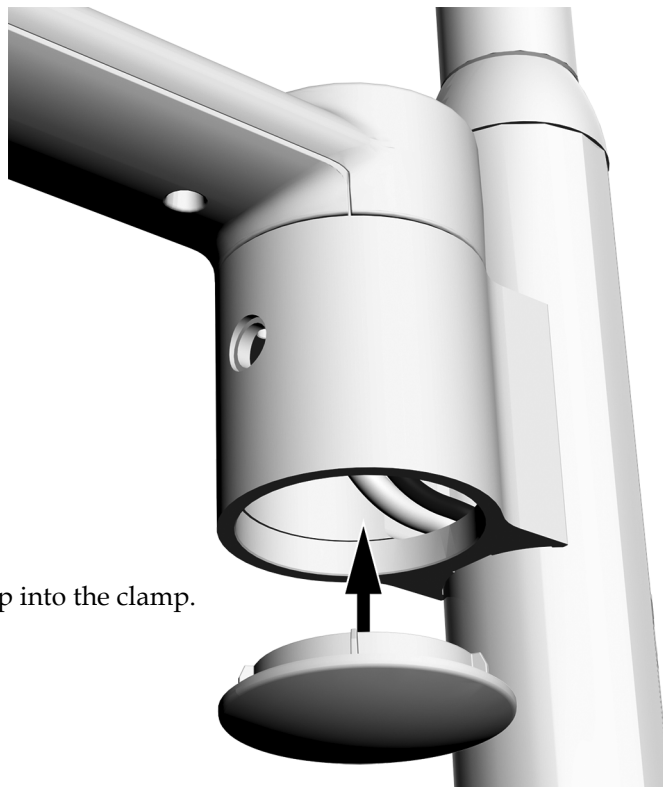
**Task 2.**



**1** Tilt the monitor up.

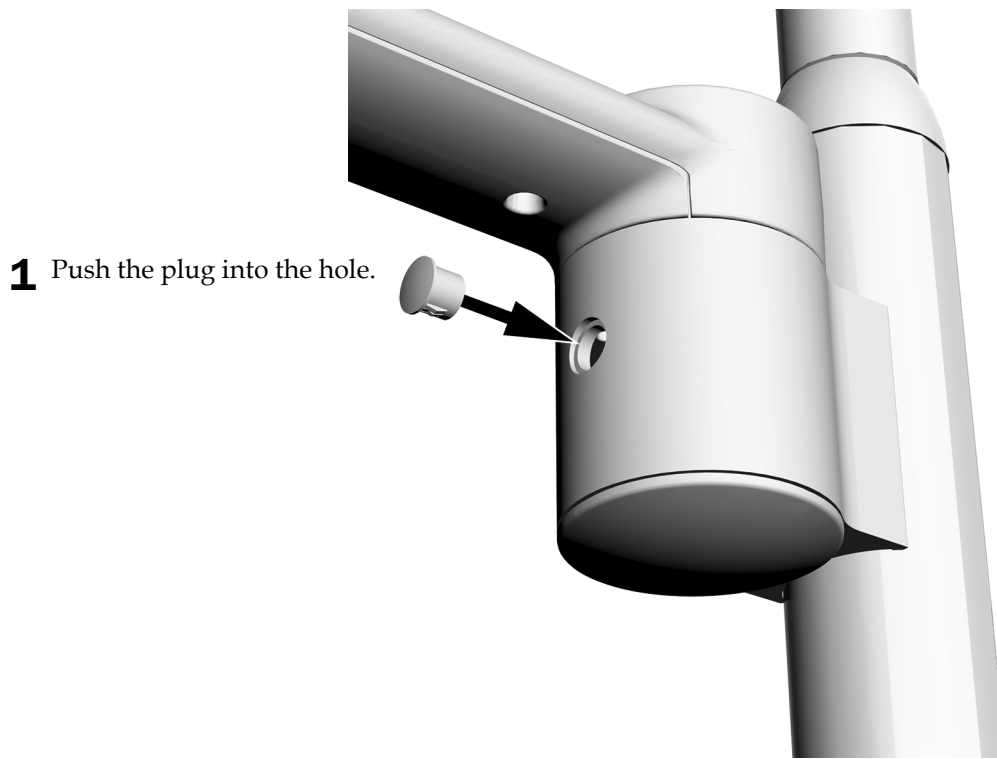
**2** Use a 1/8" hex key to install two screws in the bottom of the cover.

**Install the Clamp Cover**



**1** Push the cover up into the clamp.

## Install the Clamp Plug



## Install the Trim Cap (optional)

- 1 For systems that include an intermediate post or rigid arm and no dental light, push the trim cap onto the end of the post.



Trim Cap Used with Round Rigid Arms  
and Intermediate Posts



Trim Cap Used With Stylized Rigid Arms

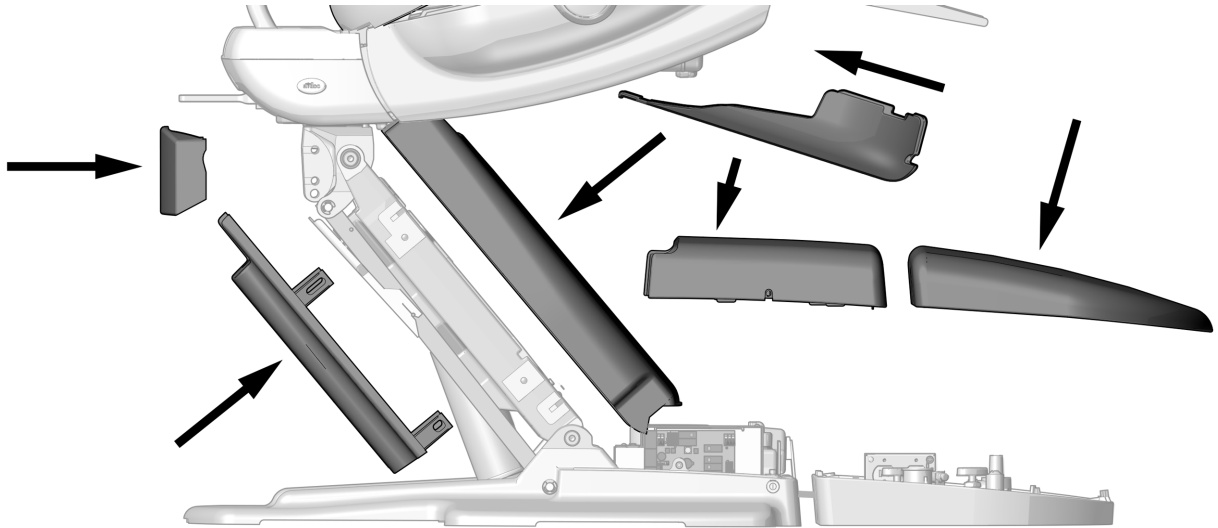
## Install the Remaining Covers



**WARNING** Shock hazard. When you remove or replace the covers, take care not to damage any wiring or tubing. Verify that the covers are secure after you replace them.

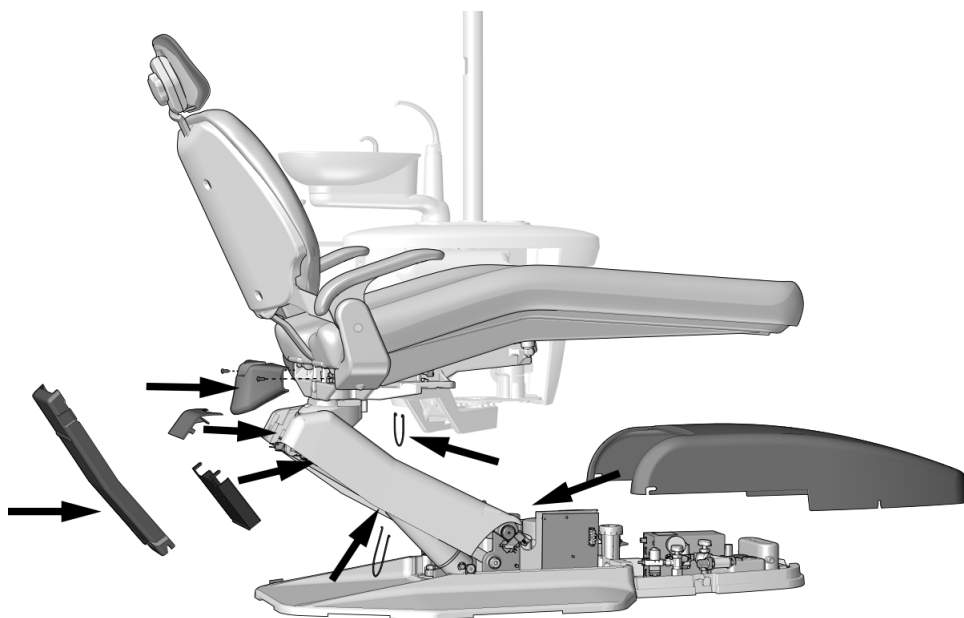
### 311ft/311/411/511ft/511

1. **411 only:** Reinstall the seat upholstery and the pins securing the seat upholstery.
2. **511A only:** Reinstall the underside cover.
3. **311ft/311/411/511ft/511:** Reinstall the remaining covers.



**200 Only**

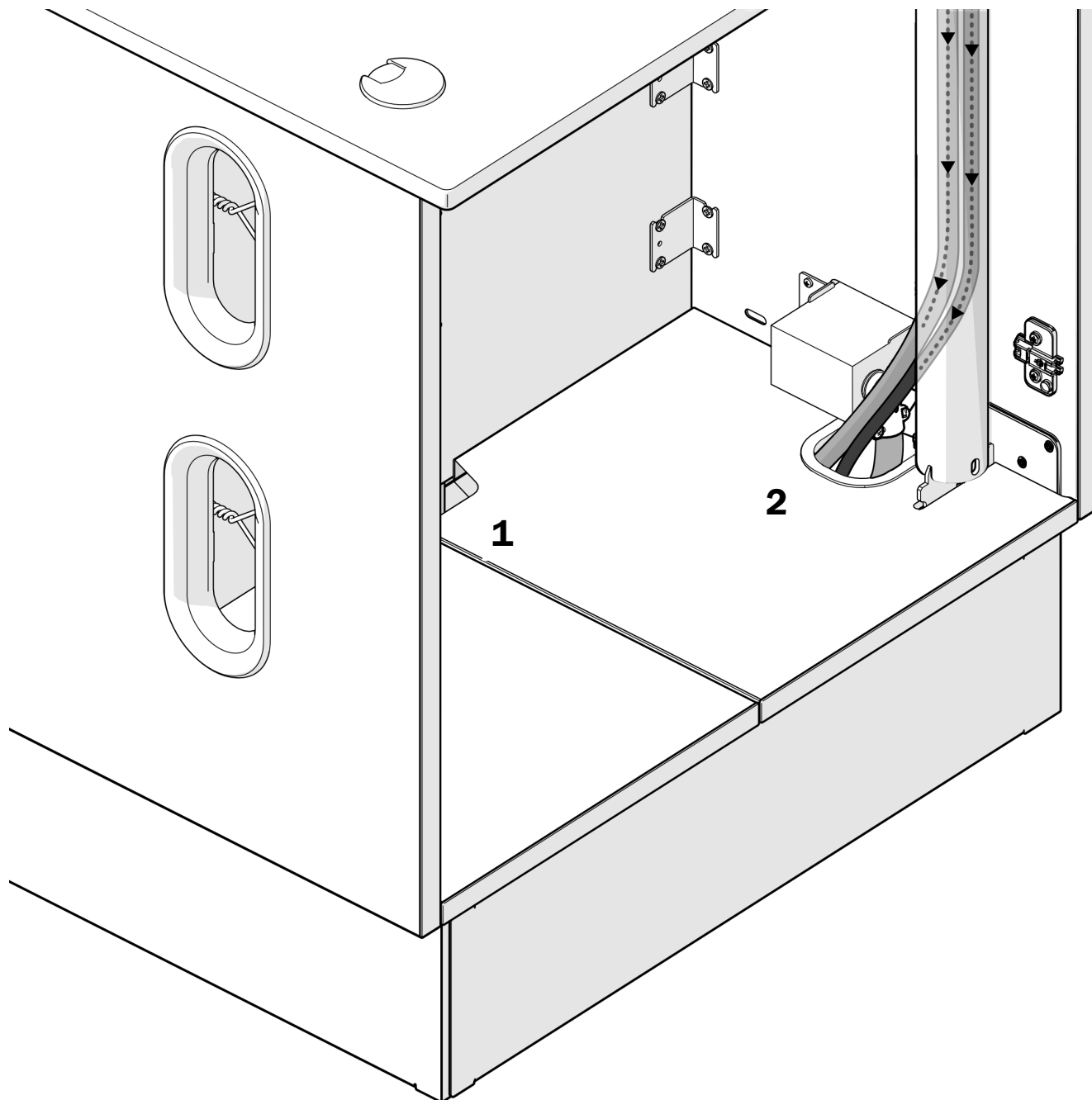
1. Reinstall the seat upholstery and the pins securing the seat upholstery.
2. Reinstall the bails and remaining covers.





**397 Only**

1. Install the false bottoms so that there is a cutout in the center at the back of the cabinet.
2. Ensure the power and video cables route through the cutout on the right side of the cabinet.







## Regulatory Information and Warranty

---

For required regulatory information and the A-dec warranty, see the *Regulatory Information, Specifications, and Warranty* document (p/n 86.0221.00) available in the Resource Center at [www.a-dec.com](http://www.a-dec.com).



For quick access to this document online, scan, tap, or click this QR code, which points to [a-dec.com/regulatory-guide](http://a-dec.com/regulatory-guide).

All trademarks cited herein are registered trademarks or trademarks of A-dec, Inc. in the United States and may also be trademarks or registered trademarks in other countries.



**A-dec Headquarters**

2601 Crestview Drive  
Newberg, OR 97132 USA  
Tel: 1.800.547.1883 Within USA/CAN  
Tel: +1.503.538.7478 Outside USA/CAN  
[www.a-dec.com](http://www.a-dec.com)

*A-dec, Inc. makes no warranty of any kind with regard to the content in this document including, but not limited to, the implied warranties of merchantability and fitness for a particular purpose.*



86.0410.00 Rev G  
Date of Issue 2024-03-26  
Copyright 2024 A-dec, Inc.  
All rights reserved.  
IGrphpor24