

# A-dec 361 Support Center Locking Monitor Mount



## INSTALLATION GUIDE

### Recommended Tools

- Hex key set
- Diagonal cutters

### Before You Begin

Check with local building and code authorities about installation requirements.



**CAUTION** Use a SJT type cable when connecting power to the monitor. SJT cables are more durable than the SVT cables typically provided by monitor manufacturers and are required when routed through moving arms. Use a monitor that weighs 20 lb or less and accommodates either a 75 mm or 100 mm VESA pattern mount. Always follow local building and electrical codes.

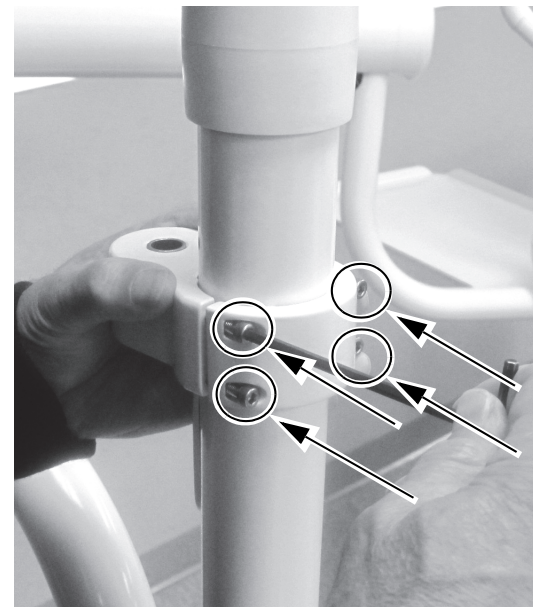
### Install the Monitor Mount

#### Attach the Monitor Mount to the Post

Use a 5/32" hex key and four 3/4" socket head screws to attach the clamp for the monitor toward the top of the intermediate post. Position the mounting hole for the monitor arm toward the toe of the chair.

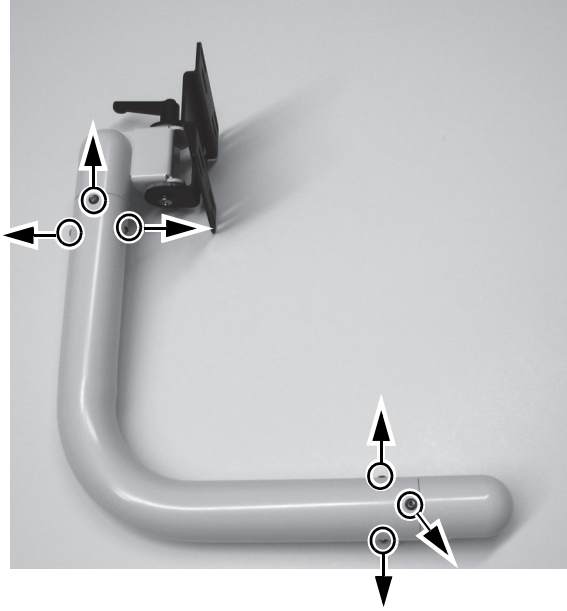


**TIP** Position the monitor mount just above the cap on the post so you can easily route the monitor cables inside the post.

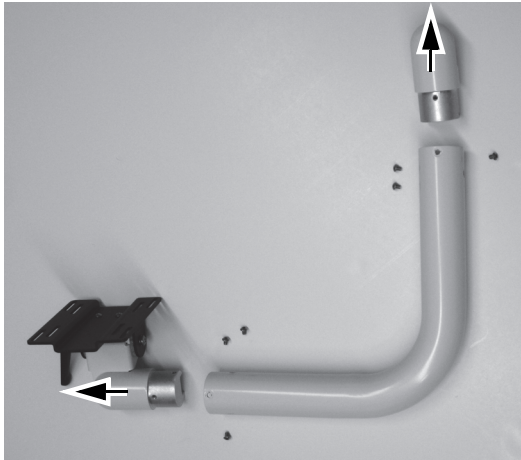


## Install the Monitor Arm Support

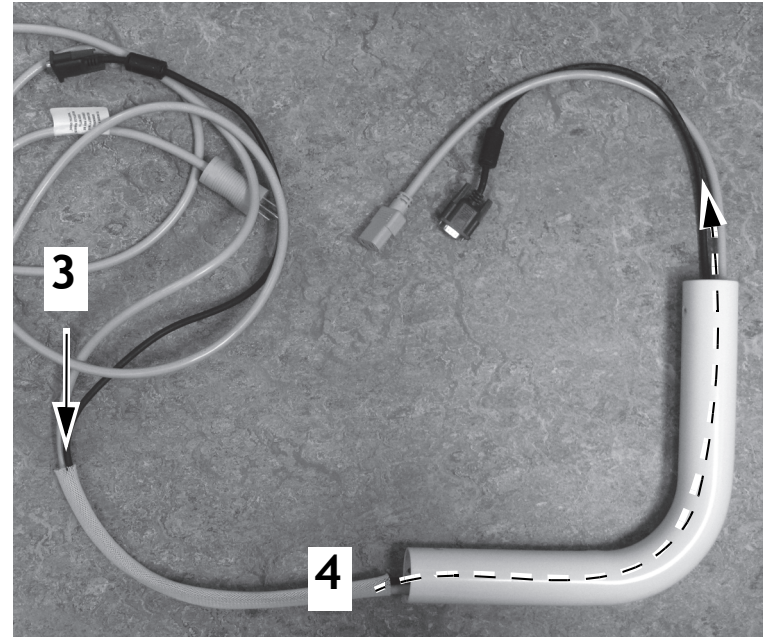
1. Use a 1/8" hex key to remove the three button head screws from each end of the monitor arm.



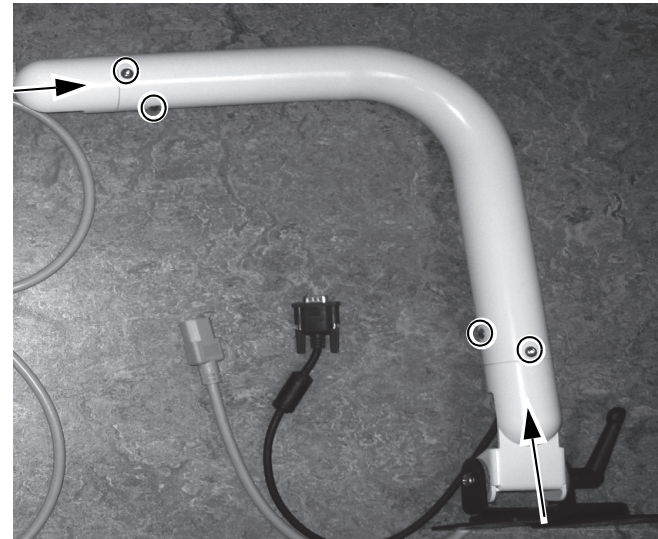
2. Remove the ends from the monitor mount arm.



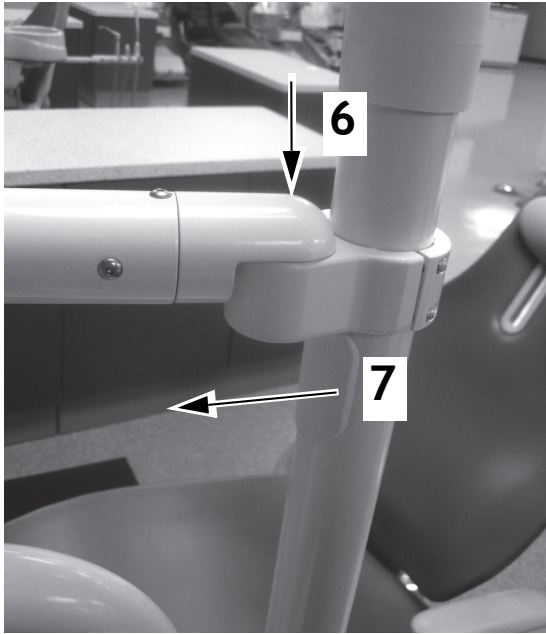
3. Install the protective sheath on the cables.
4. Route the monitor cables through the monitor arm.



5. Screw the ends back onto the monitor arm support.



6. Install the post end of the monitor arm into the monitor mount.
7. Remove the cap from the post.

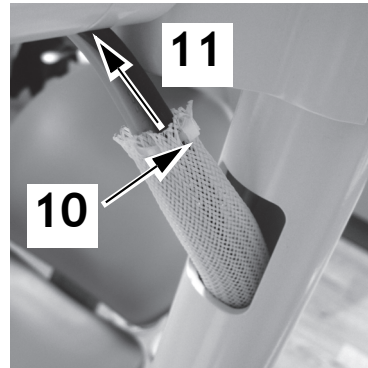
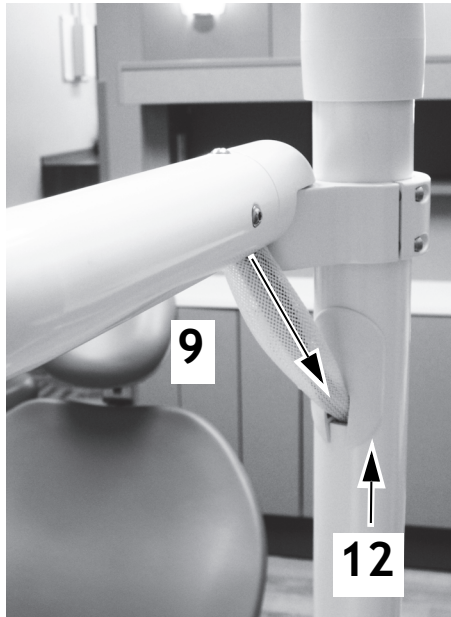


8. Attach the monitor to the VESA mounting bracket using the screws (metric) supplied with the monitor.

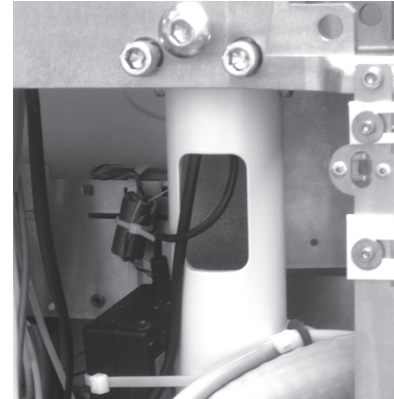


Screws Through Bracket Into Monitor

9. Route the monitor cables through the opening into the post and down into the support center.
10. Thread a cable tie to secure the protective sheath, pull it snug, and trim the end.
11. Move the protective sheath up the cables so they are covered.
12. Install the new cap on the post.



13. Once in the support center, bring the cables out of the opening and route them down into the umbilical for connection in the utilities area.



## Adjustments

### Tilt Friction

Tighten or loosen the tilt friction handle located on the back left top of the monitor mount.

### Drift Friction

Tighten or loosen the drift friction screw located on the back right top of the monitor mount.

## Regulatory Information

Regulatory information is provided with A-dec equipment as mandated by agency requirements. This information is delivered in the equipment's *Instructions for Use* or the separate *Regulatory Information and Specifications* document. If you need this information, please go to the Document Library at [www.a-dec.com](http://www.a-dec.com).