

## A-dec 585 Monitor Mount on a Wall or Cabinet

### Before You Begin

This procedure applies to the A-dec Inspire™ 593 Full Side Consoles and 595 Wall-Mounted Cabinet and wall mounts.

### Recommended Tools

- 7/16" combination wrench
- Tape measure
- 9/16" socket and ratchet with 6" extension
- Phillips head screwdriver
- Hole saw - 1.75"
- Level
- 3/8" drill with a 3/16" drill bit
- Hex key set ("T" handles recommended)

### Important Information

Check with local building and code authorities about installation requirements specific to your location.



**CAUTION** Use an SJT type cable when connecting power to the monitor. SJT cables are more durable than the SVT cables typically provided by monitor manufacturers and they are required when routed through moving arms.

- Do not use a monitor that weighs more than 20 lb.
- Use a monitor that fits a 75 mm or 100 mm VESA pattern mount.
- Always follow local building and electrical codes.



**NOTE** Not all parts included in this kit may be necessary for your particular installation or configuration.

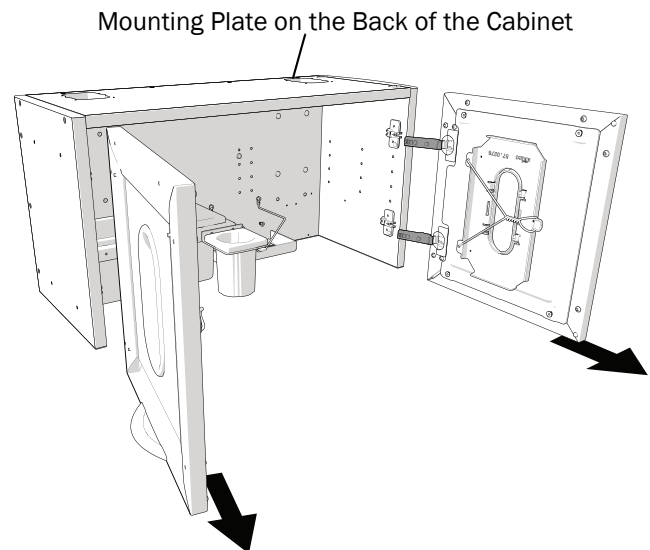


**CAUTION** When removing or replacing covers, take care not to damage any wiring. Verify that the covers are secure after replacing them.



### Prepare the Cabinet (Cabinets Only)

1. Remove the doors.



595 Wall-Mounted Cabinet Shown

## Determine the Mounting Location (Wall Mount Only)

The mounting location must allow the backboard to be securely mounted to permanent structural members, such as a wall with studs.

The optimal backboard location:

- 55" from the floor to the bottom of the backboard
- 60" recommended distance from a 12 o'clock wall or back of the 12 o'clock cabinet to the edge of the backboard
- 51" minimum clearance from any perpendicular wall to the edge of the backboard

## Determine the Stud Spacing

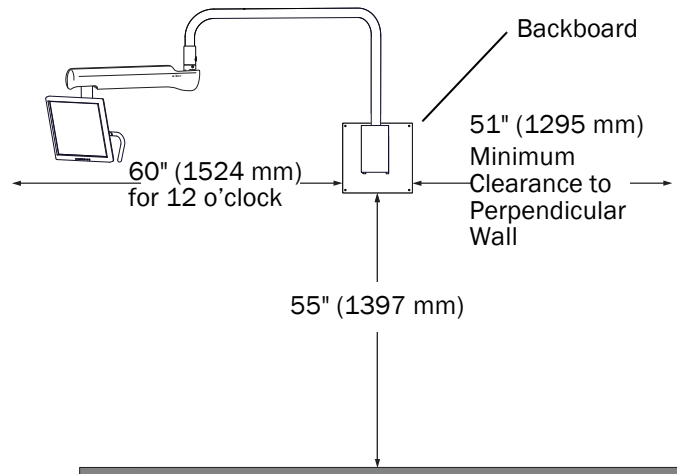
Determine the stud spacing in the wall to which you are installing the monitor mount. The wall mount must have all four lag screws installed into the wall studs.

If the stud spacing is not 16", you must create a support structure.



**WARNING** Do not use hollow wall fasteners that rely on non-structural elements. A-dec is not responsible for any damage resulting from the use of hollow wall fasteners.

Consult a licensed professional, such as a structural or architectural engineer, for mounting to metal studs or a masonry wall. Ensure that all installations conform to local code requirements. The mounting structure must be designed to support a minimum 55 lb. (25 kg) static load and a minimum moment of 203 ft.-lb. (275 Nm).



## Install the Monitor Mount

- For wall mounts, continue with “Install the Wall Mounting Backboard (Wall Only)” on page 3.
- For cabinet mounts, continue with “Install the Mount in the Cabinet” on page 4.

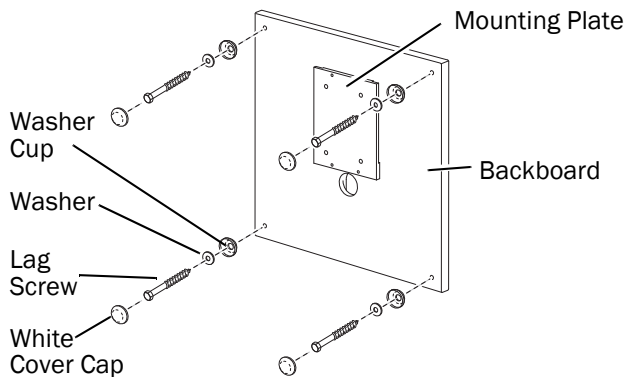
### Install the Wall Mounting Backboard (Wall Only)

1. Mark the mounting holes using the backboard as a template.
2. Drill four 3/16" (5 mm) diameter mounting holes.
3. Route the cables from the monitor through the hole in the backboard.



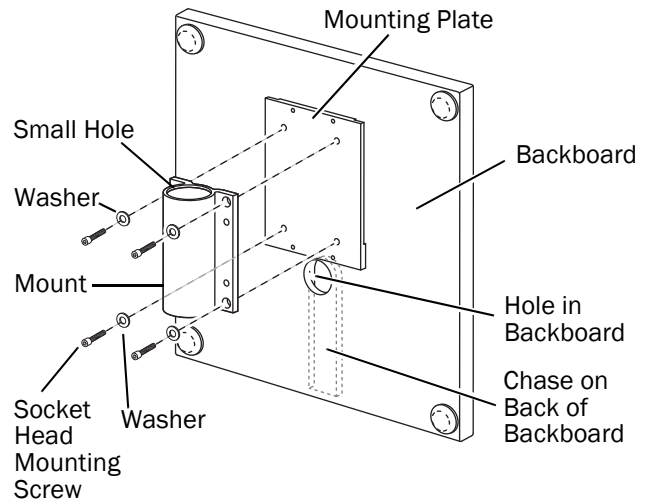
**NOTE** Drill a 1.75" cable routing hole in the wall if you are routing the monitor cables into the wall.

4. Position the cables in the chase (slot) while being careful not to pinch them. Mount the backboard to the wall using a 9/16" socket and ratchet with the 3" lag screws, washers, and washer cups.
5. Attach the cover caps to the washer cups.



### Install the Mount on the Backboard (Wall Only)

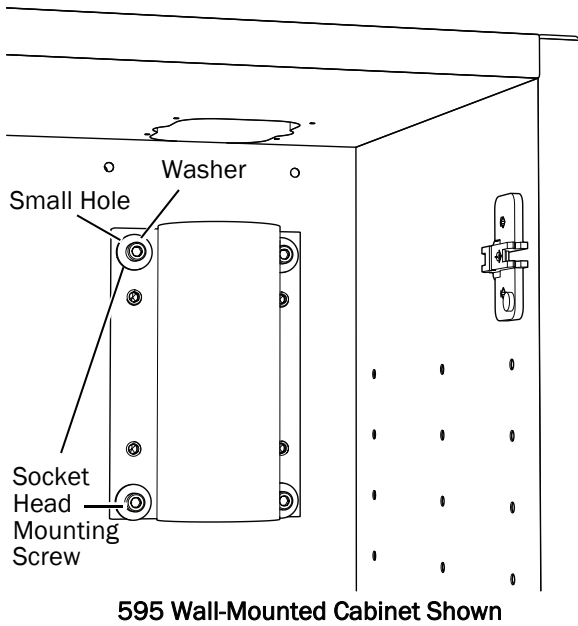
1. Align the mount holes to the holes on the mounting plate. Position the smaller hole in the mount to the top left hole of the mounting plate for proper orientation.
2. Use a 3/16" hex key, the 1 3/4" screws, and washers to secure the mount.



**Next Step** Continue with “Install the Rigid Arm” on page 4.

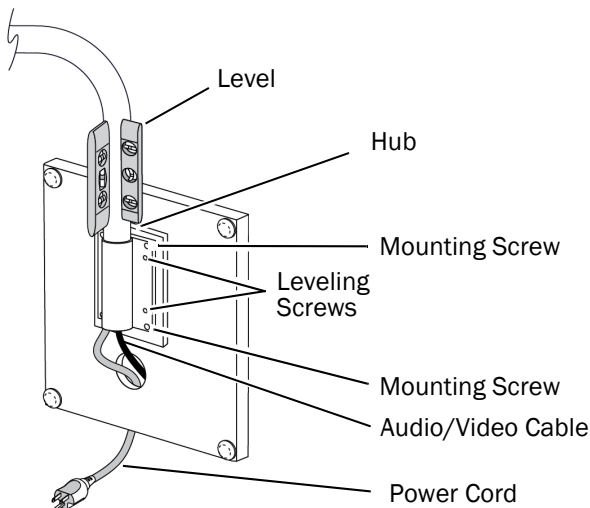
## Install the Mount in the Cabinet

1. Position the smaller hole in the mount to the top left hole of the mounting plate.
2. Use a 3/16" hex key, the 1 3/4" screws, and washers to secure the mount.



## Install the Rigid Arm

1. Slide the rigid arm into the mount.
2. Place the level on the vertical section of the rigid arm, and rough level the mount. Loosen the mounting screws and adjust the leveling screws until the mount is level.



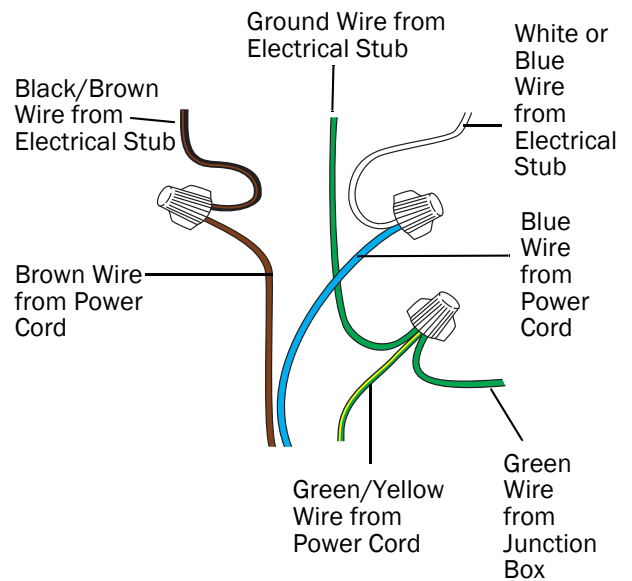
## Connect to Power

1. Route the power cord through the mount.



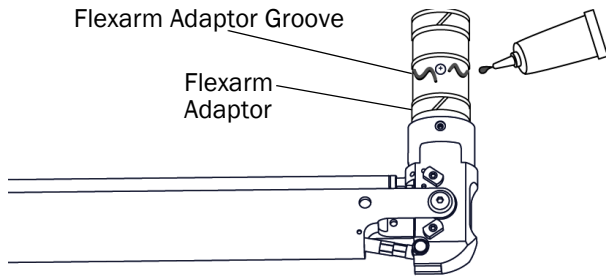
**NOTE** For hard wired applications, an electrician or another qualified personnel must make the connections per local codes and regulations.

2. Plug the power cord into a wall outlet for 100 VAC or 110-120 VAC versions.

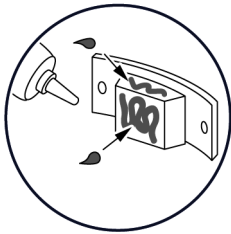


## Install the Flexarm

1. Apply a light coat of Lubriplate™ or another lubricant to the flexarm adaptor groove.



2. Lubricate the flexarm joint retainer.



3. Insert the flexarm in the rigid arm collar.

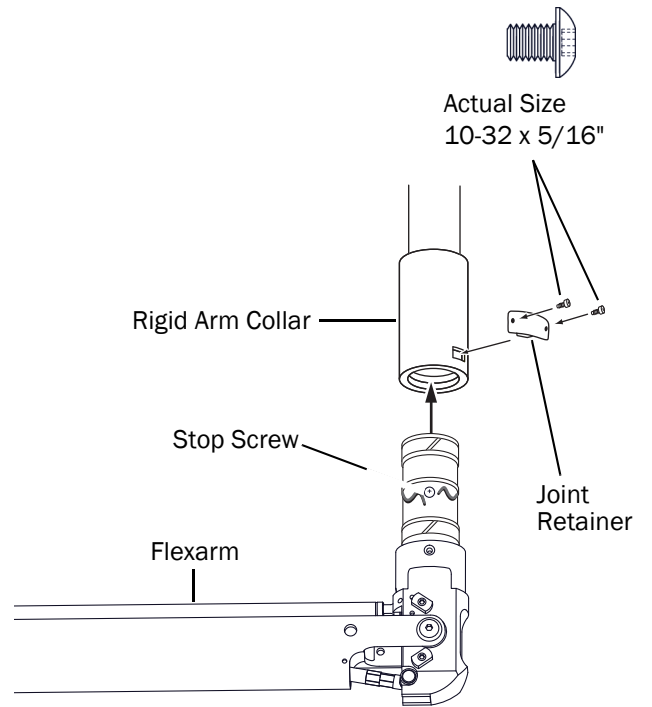


**NOTE** Make note of the position of the stop screw before securing the flexarm. For more details see "Change the Rotation Stop Location" on page 8.

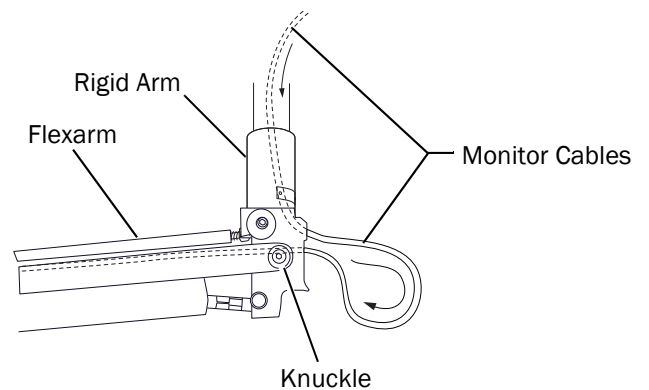
4. Use a 1/8" hex key to secure the joint retainer with the two 10-32 x 5/16" button head screws.



**WARNING** Failure to securely hold the flexarm while you install the joint retainer can lead to product damage and result in serious injury.



5. Route the monitor cables down and through the rigid arm, and then through the flexarm knuckle.



## Install the Monitor Rotation Adaptor



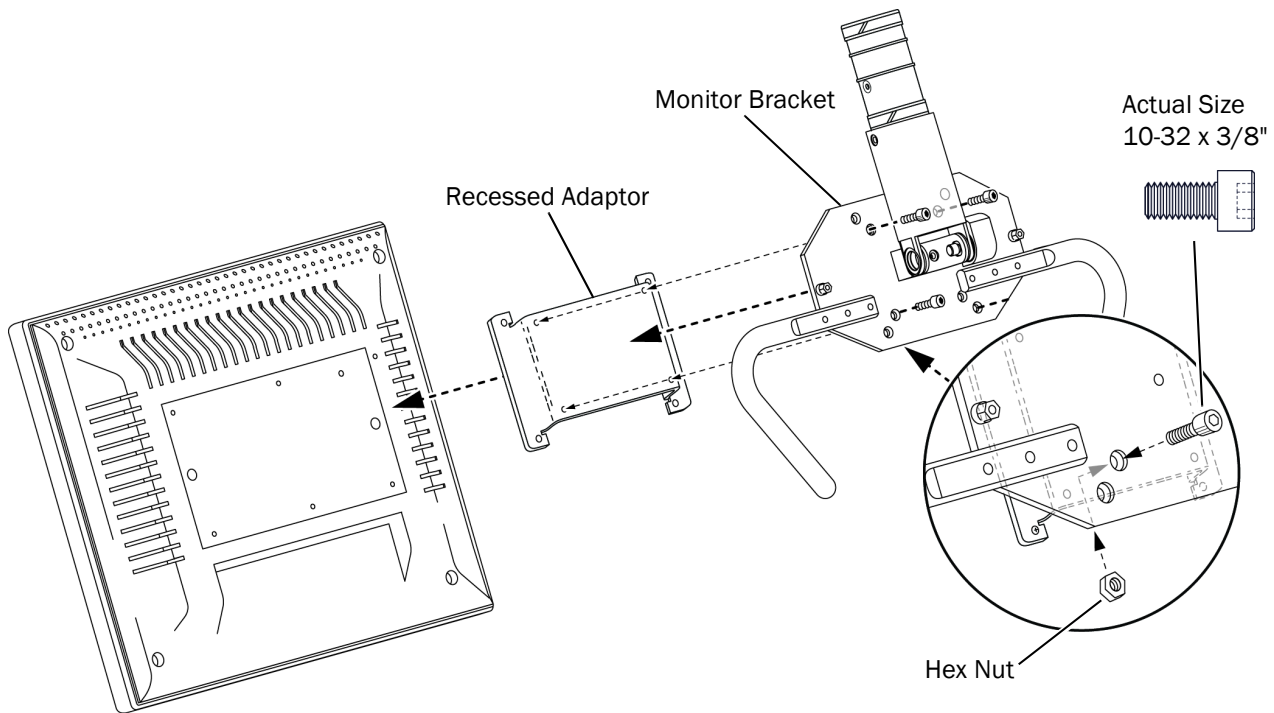
**NOTE** If the monitor is not available to install at this time, leave this installation guide for the person who will install the monitor and level the mount.



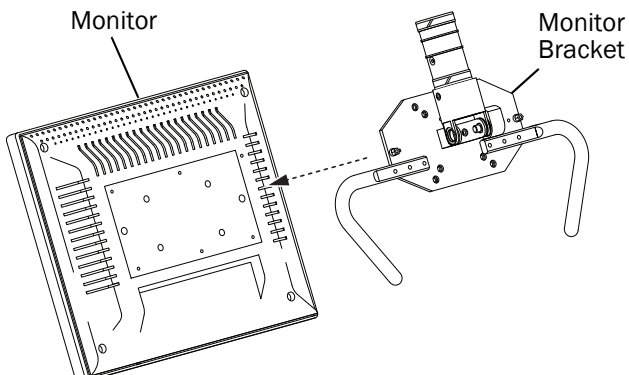
**NOTE** The monitor mount is designed to accommodate:

- A medical grade monitor
- 20 lb maximum monitor weight
- Either a 75 mm or 100 mm VESA pattern mount
- Only monitors configured with an internal power supply

1. If the mounting holes on the monitor are recessed, use four 10-32 x 3/8" socket head screws and nuts to install the recessed adaptor.

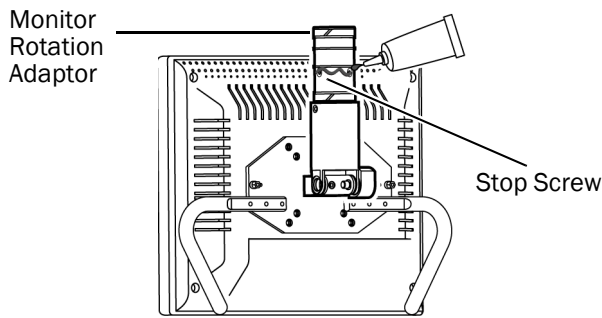


2. Attach the monitor to the monitor bracket. Use the four metric screws provided with the monitor.

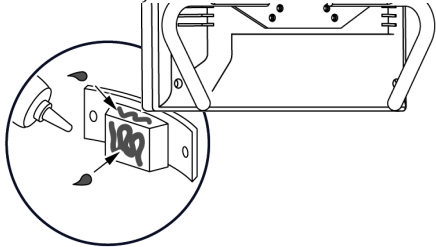


## Install the Monitor

1. Apply a light coat of Lubriplate to the monitor rotation adaptor.

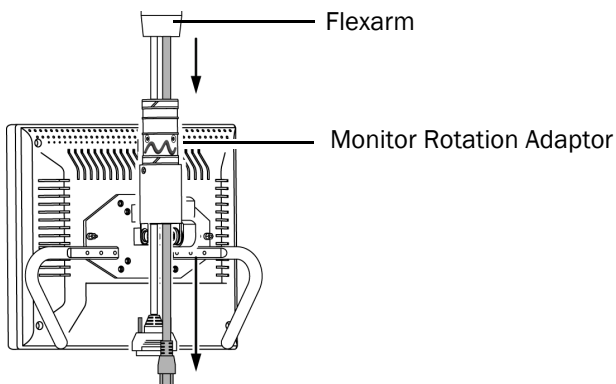


2. Lubricate the joint retainer.

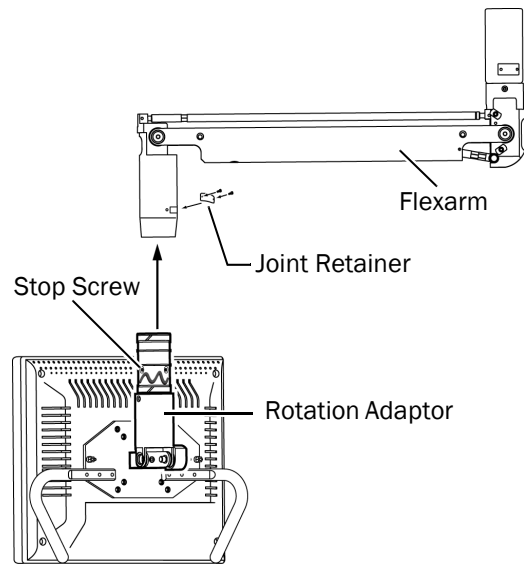


**WARNING** Failure to securely hold the flexarm while you install the joint retainer can lead to product damage and result in serious injury.

3. Route the monitor cables down through the adaptor.



4. Insert the monitor rotation adaptor in the flexarm or rigid arm.
5. Use a 1/8" hex key and two 5/16" screws to secure the joint retainer.

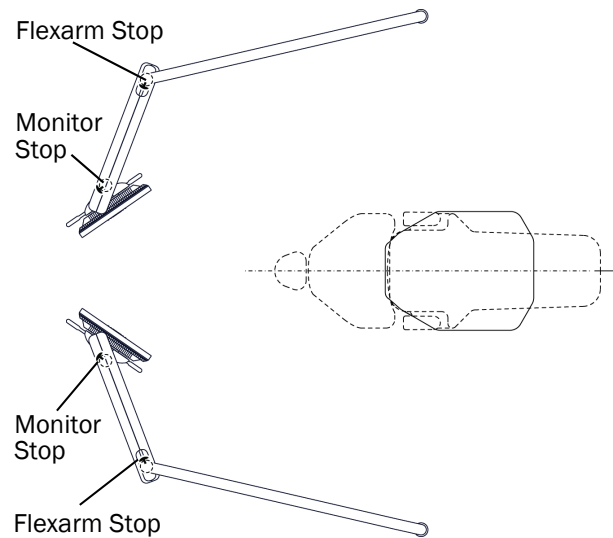


**NOTE** Take note of the position of the factory-installed stop screw before securing the monitor bracket. For more details, see "Change the Rotation Stop Location" on page 8.

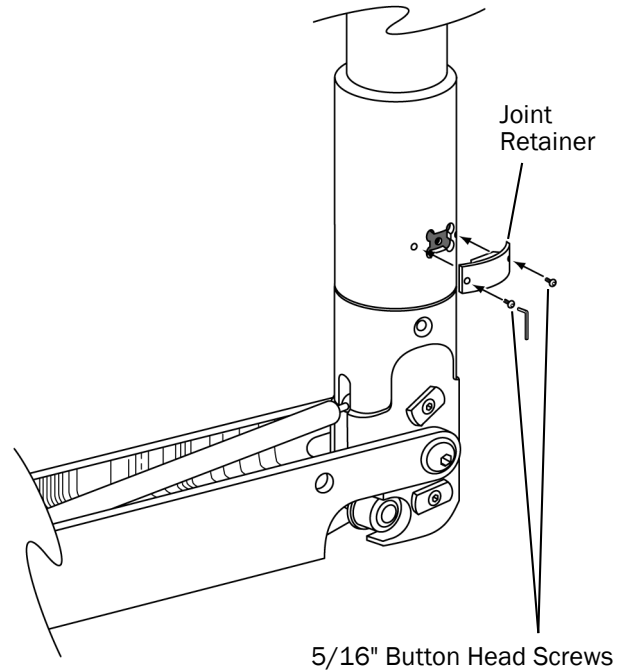
## Adjust the Monitor Mount

### Change the Rotation Stop Location

The stop screw sets the rotation limits. Two joint locations (monitor and flexarm) with four stop screw positions at each location rotate  $310^{\circ}$  from stop to stop. To achieve the proper rotation angle of the flexarm or monitor adaptor, you must move the corresponding stop screw to one of the four stop screw positions.

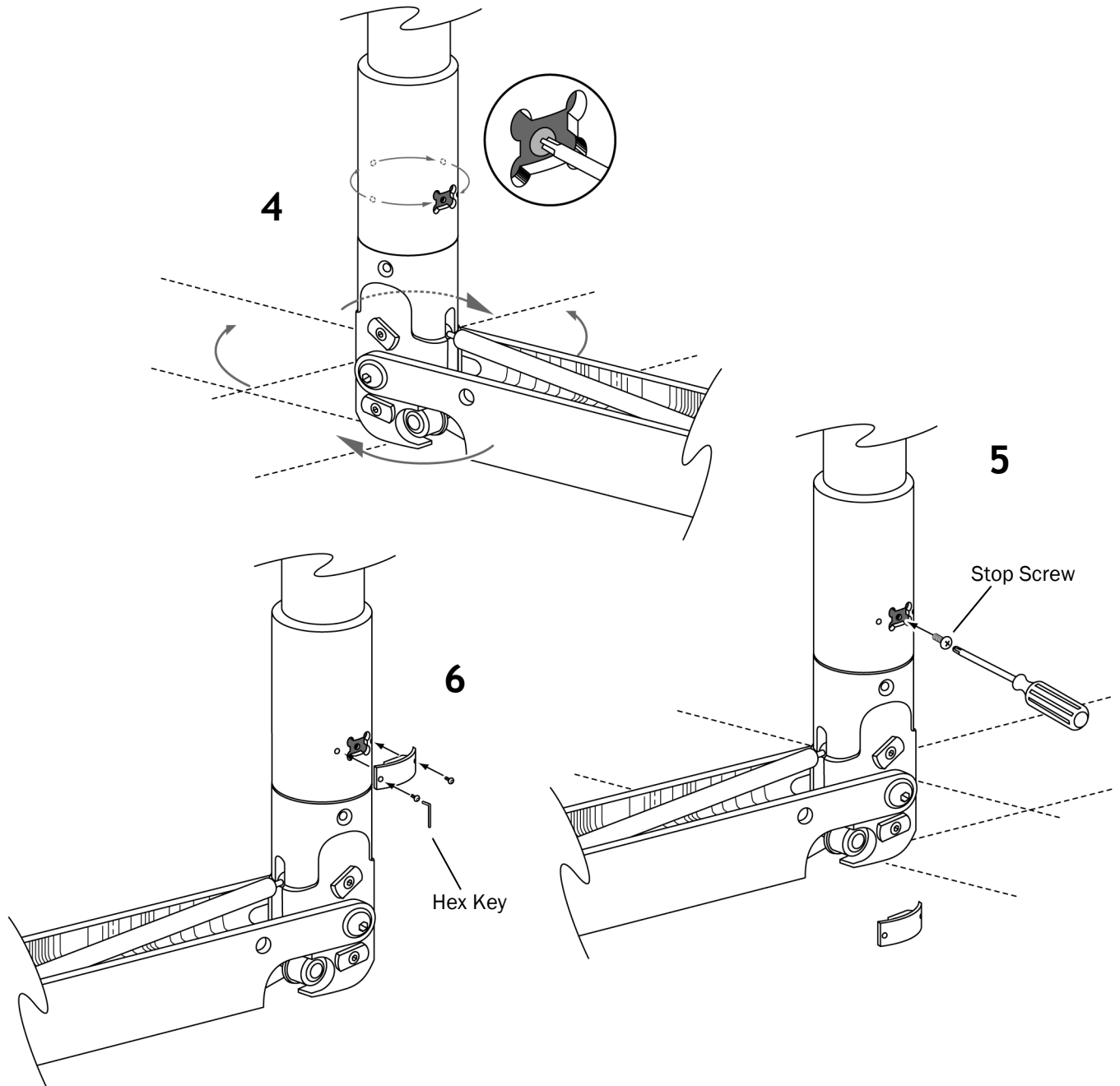


1. Use a 1/8" hex key to remove the screws securing the joint retainer, and then remove it.
2. Rotate the flexarm or adaptor until the stop screw is visible.



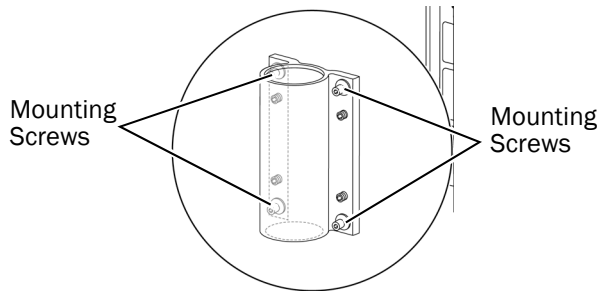


3. Use a Phillips head screwdriver to remove the stop screw.
4. Rotate the flexarm or adaptor to locate a new mounting hole location.
5. Install the stop screw.
6. Rotate the arm away from the stop screw, and reinstall the joint retainer.

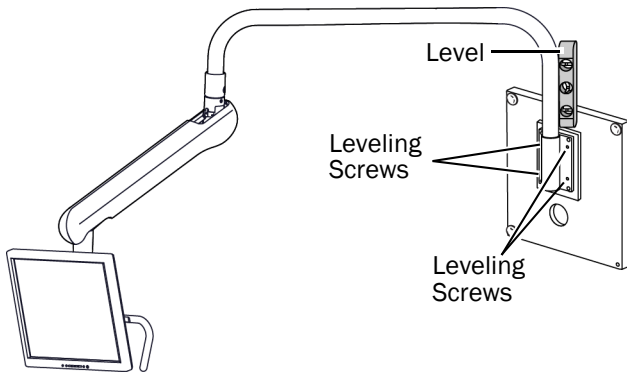


## Level the Monitor Mount

1. Loosen the four mounting screws in the corners of the mount.



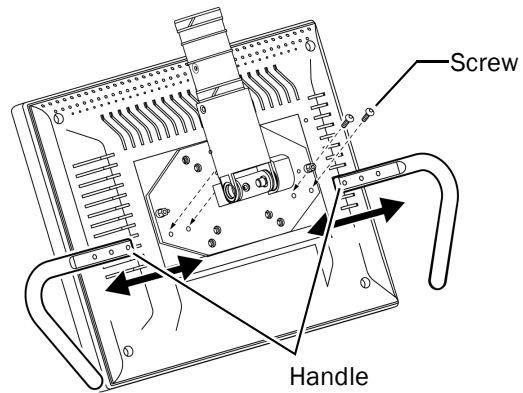
2. Place a level on a vertical section of the rigid arm.
3. Use the leveling screws to level the arm.



4. Once the arm is level, securely tighten the mounting screws.

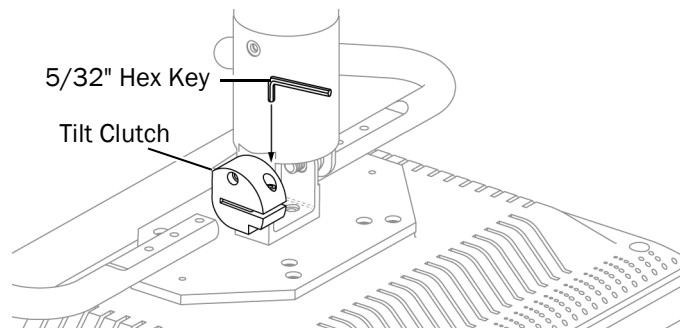
## Adjust the Monitor Handle

Use a 5/32" hex key to remove the screws securing the monitor handles to the monitor. Move the handles to the desired position and secure with screws.



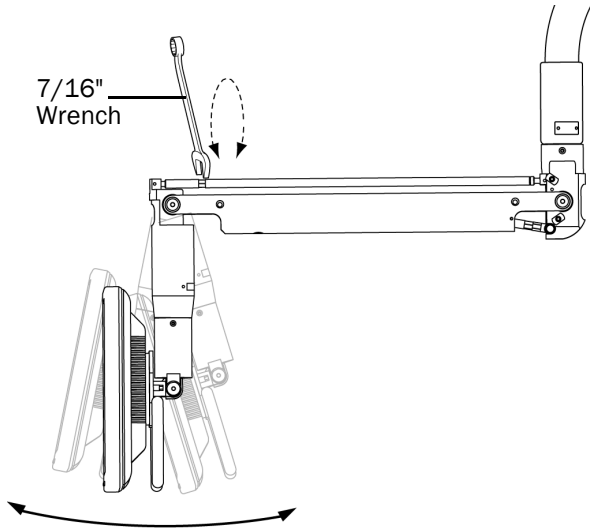
## Adjust the Tilt Friction

The tilt friction adjustment allows you to adjust the pivot tension of the monitor. Use a 5/32" hex key to adjust the tilt friction.



### Align the Lower Vertical Post

Use a 7/16" wrench to adjust the alignment of the lower vertical post so it is perpendicular to the floor.

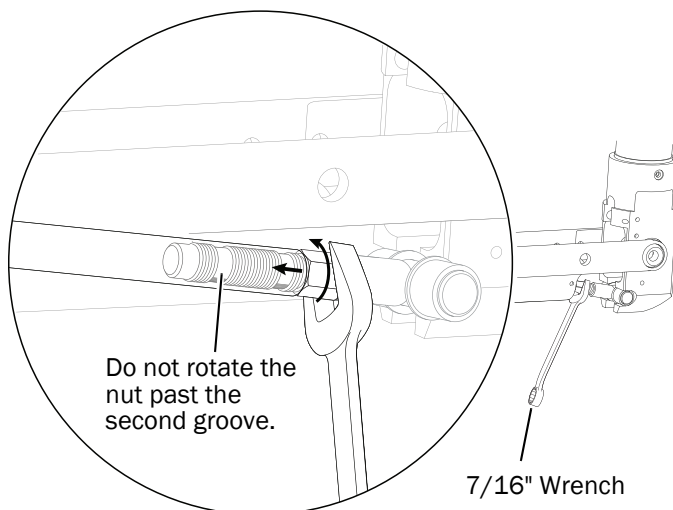


### Adjust the Flexarm Counterbalance

When you install the monitor, the flexarm might drift slightly up or down. If the flexarm drifts down, increase the tension. If it drifts up, see "Decrease the Tension" on page 11.

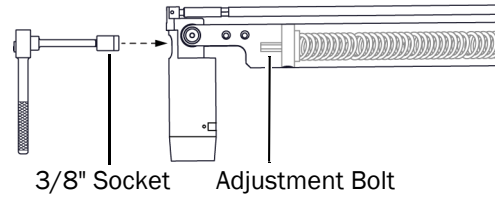
#### Increase the Tension

Use a 7/16" wrench to turn the nut. Do not rotate the nut past the second groove.



### Decrease the Tension

Use 3/8" socket and ratchet with a 6" extension to loosen the bolt at the front of the flexarm. The factory preset for this bolt is all the way in so, initially, you can only loosen the bolt.



### Test the Installation

1. Verify ease of motion and range of motion of the monitor.
2. Verify that the monitor functions properly.

### Install the Covers and Doors

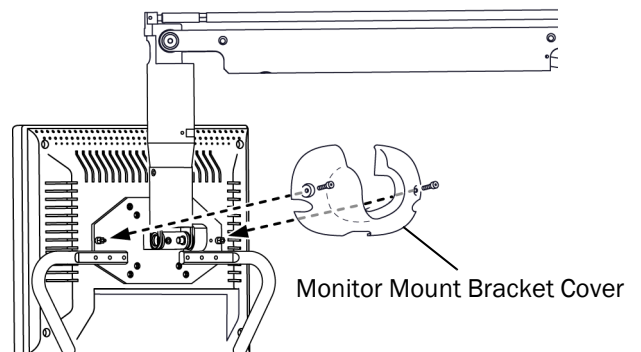
1. Install the doors on the 593 Full Side System or 595 Wall-Mounted Cabinet.



**CAUTION** When removing or replacing covers, take care not to damage any wiring. Verify that the covers are secure after replacing them.

### Install the Monitor Bracket Cover

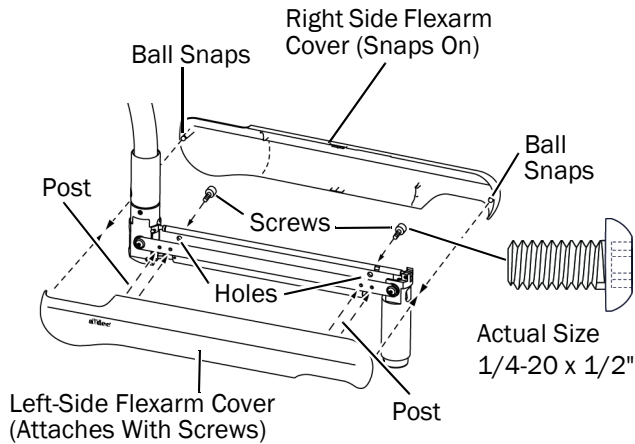
1. Use two screws and a 1/8" hex key to attach the monitor mount bracket cover.



**NOTE** The monitor mount bracket cover is designed to accommodate only monitors configured with an internal power supply.

## Install the Flexarm Covers

1. Insert the two posts of the left-side cover into the outside holes on the flexarm.
2. Use a 5/32" hex key through the access hole and two 1/4-20 x 1/2" screws to secure the left-side cover.
3. Line up the ball snaps and snap the covers together.



## Regulatory Information

Regulatory information mandated by agency requirements is provided in the *Regulatory Information, Specifications, and Warranty* document (p/n 86.0221.00), which is available in the Document Library at [www.a-dec.com](http://www.a-dec.com).

Lubriplate is a trademark of the Lubriplate Lubricants Co.

## Product Models and Versions Covered in this Document

Models	Versions	Description
A-dec 585	A	Monitor Mount
A-dec Inspire 593, 595	A	Dental Furniture

### A-dec Headquarters

2601 Crestview Drive  
 Newberg, OR 97132 USA  
 Tel: 1.800.547.1883 Within USA/CAN  
 Tel: +1.503.538.7478 Outside USA/CAN  
[www.a-dec.com](http://www.a-dec.com)

*A-dec Inc. makes no warranty of any kind with regard to the content in this document including, but not limited to, the implied warranties of merchantability and fitness for a particular purpose.*

