

Owner's Guide

CASCADE[®] STOOLS

Warranty

A-dec warrants its products against defects in material or workmanship for one year from time of delivery (except for handpieces which have a warranty period of six months). A-dec's sole obligation under the warranty is to provide parts for the repair, or at its option, to provide the replacement product (excluding labor). The buyer shall have no other remedy. (All special, incidental, and coincidental damages are excluded.) Written notice of breach of warranty must be given to A-dec within the warranty period. The warranty does not cover damage resulting from improper installation or maintenance, accident or misuse. The warranty does not cover damage resulting from the use of cleaning, disinfecting or sterilization chemicals and processes. The warranty also does not cover light bulbs. Failure to follow instructions provided in A-dec's Operation and Maintenance Instructions (Owner's Guide) may void the warranty.

NO OTHER WARRANTIES AS TO
MERCHANTABILITY OR OTHERWISE ARE MADE



All product names used in this document are trademarks or registered trademarks of their respective holders.

**Cascade 1601
Doctor's Stool/
Contoured**



**Cascade 1621
Assistant's Stool/
Contoured**



**Cascade 1603
Doctor's Stool/
Contoured**



**Cascade 1622
Assistant's Stool/
Contoured Round**



Cascade Stools

**Cascade 1626
Assistant's Stool/
Contoured**



**Cascade 1604
Doctor's Stool/
Contoured Round**

**Cascade 1623
Assistant's Stool/
Contoured**

**Cascade 1624
Assistant's Stool/
Contoured Round**



**Cascade 1625
Assistant's Stool/
Contoured Round**

**Cascade 1605
Doctor's Stool/
Contoured Round**

CONTENTS

Operation

About Your Cascade Stool	2
Height Adjustment	3
Backrest Adjustments	3
Assistant's Foot Support Adjustments	4
Torso Support Adjustment	5
Care Instructions	6
<i>(Refer also to your Equipment Asepsis Owner's Guide, Publication No. 85-0696-00.)</i>	

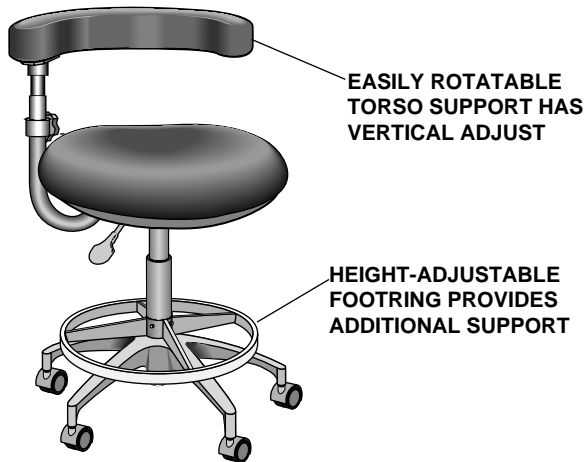
Maintenance

Lubrication	6
Stool Casters	6

OPERATION

About Your Cascade Stool

Your A-dec Cascade Stool is one of the finest available to the dental profession. It is engineered to provide many years of reliable performance, while requiring a minimal amount of attention.



Height Adjustment

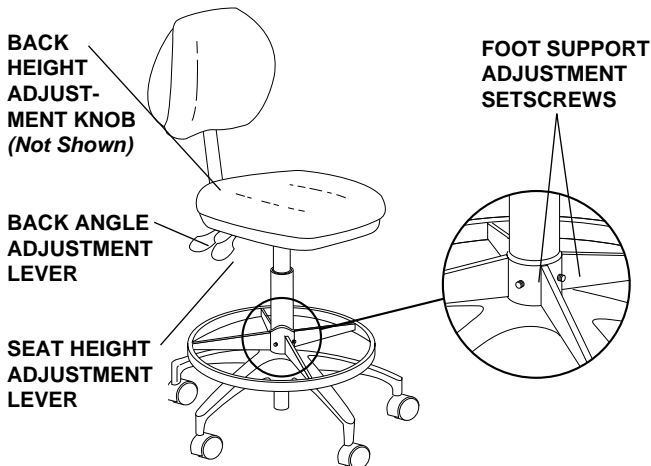


Figure 1. 1601/1621 Stool Adjustments

A lever-actuated gas cylinder provides seat height adjustment of up to 6 $\frac{1}{2}$ -inches.

To raise the seat, lift the height adjustment lever. To lower the seat, sit in the stool and lift the height adjustment lever. Release the lever to hold the seat in position.

Backrest Adjustments

The backrest height is adjusted by loosening the knob (see *Figure 1 or 2*) and raising the backrest to the desired position. Retighten the knob to hold the backrest in position.

The backrest angle for Cascade 1601/1621 stool is adjusted while you are seated on the stool (the Cascade 1622 does not have angle adjustment). Lift and hold the lower lever (see *Figure 1*). Lean forward or back to move the backrest to the desired position. Release the lever to hold the backrest in position.

Assistant's Foot Support Adjustment

The foot support for all assistant's stools may be adjusted vertically by loosening the two setscrews on the foot support (see Figure 1) and positioning the support in the desired position. Tighten the two setscrews to hold the foot support in position.

Torso Support Adjustment

Lift the torso support at the vertical support junction (see Figure 2) to disengage the rotation locking hub. Rotate the torso support to the desired position, then lower the support. The rotation locking hub will engage when the torso support has been fully lowered.

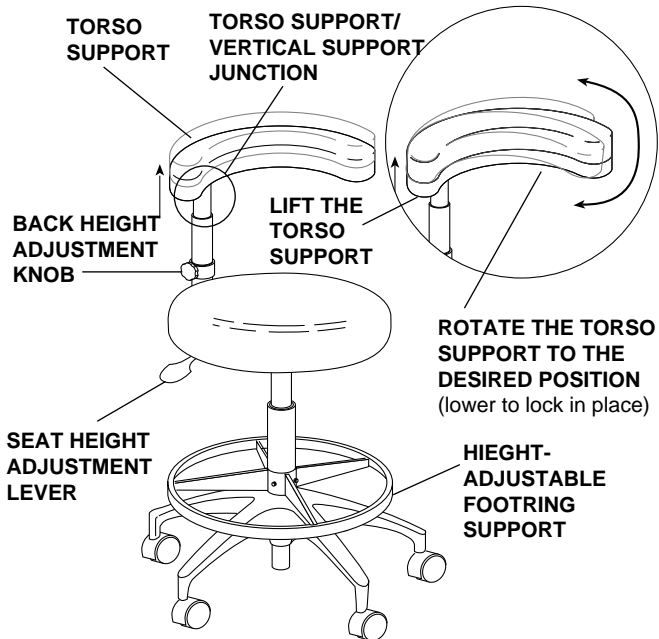


Figure 2. 1622 Stool Adjustments

Care Instructions

For surface cleaning and disinfecting instructions, refer to your *Equipment Asepsis Owner's Guide* (A-dec Publication No. 85-0696-00).

MAINTENANCE

Lubrication

If the stool begins to stick when you are raising or lowering the seat, lubricate the shaft surface of the lift cylinder with a very light application of Mobil Mobilux EP-2, Shell Alvania EP-2, Exxon Lidok EP-2, or an equivalent.

Stool Casters

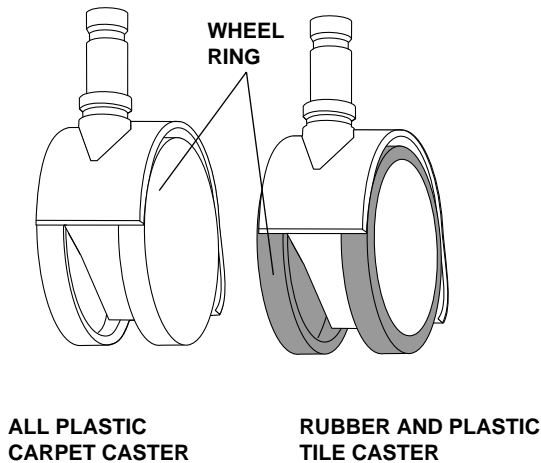


Figure 3. Stool Casters

Two types of casters are used on A-dec stools.

One is for carpeted floors, and the other is for tiled floors. You can tell which caster you have by the wheel ring. The carpet caster wheel ring is all plastic, while the tile caster wheel ring is rubberized.



2601 Crestview Drive
Newberg, Oregon 97132 U.S.A.
Telephone 1-800-547-1883
(503) 538-7478
Fax (503) 538-0276



85-2606-00
07/97 Rev C
(7127)

Made with 50% waste paper

Printed in U.S.A.
Copyright © 1997
All Rights Reserved