

About This Install

These instructions detail how to anchor the A-dec 511 chair to concrete or wood floors.

Before You Begin

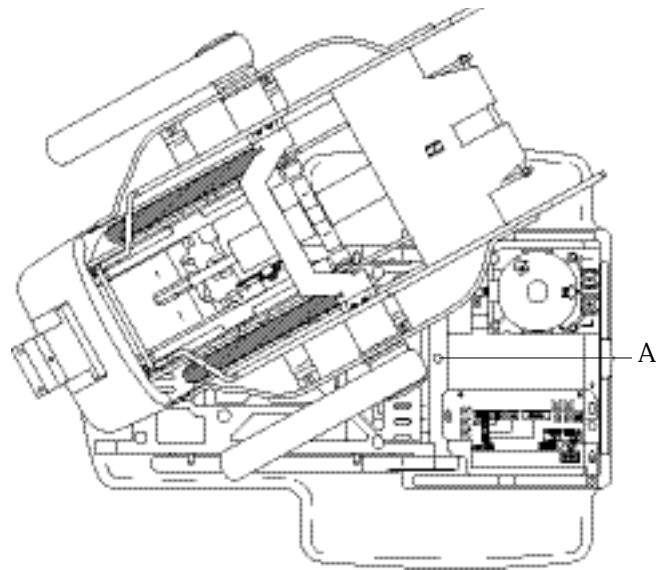
Check with local code authorities about installation requirements. They differ state to state and internationally.

WARNING: If you are installing a lower support arm on the dental chair, UL stability testing requires the chair to be bolted to the floor.

IMPORTANT: Check flooring material if it is not at least 3-1/4" (82.6 mm) thick, a licensed contractor should be contacted about reinforcing the floor.

Recommended Tools

| Concrete Tools | Wood Tools |
|---|--|
| <ul style="list-style-type: none"> • Roto-hammer drill | <ul style="list-style-type: none"> • 3/8" drill bit |
| <ul style="list-style-type: none"> • 1/2" concrete drill bit | |
| <ul style="list-style-type: none"> • 9/16" and 3/4" socket and ratchet | |



How to Position the Chair

To move the chair from the pallet to the floor, follow these steps.

CAUTION: Do not attempt to position the chair by pulling or pushing on the armrests.

1. Unpackage the chair, but do not remove the shipping straps.
2. Using the seat frame, remove the chair from the pallet and place in position.
3. Remove both shipping straps.
4. Plug-in the power cord and power ON the chair.

The Power On/Off button is located on the base of chair. This function allows you to engage power or disengage power to the entire system at the touch of a button. When the button is pressed in, the system has power. When the button is out, the system has no power.

5. Loosen the swivel brake. Loosening the swivel brake allows you to rotate the seat frame of the chair to the left or right so the chair anchoring hole is clearly accessible (see Figure 1).

Figure 1. After positioning the chair, rotate it away from the anchoring hole. (A) anchoring hole

How to Anchor the Chair to the Floor

Use these steps to anchor the chair to the floor.

CAUTION: A hydraulic line runs near the anchoring hole.

| If you are . . . | Then . . . |
|-------------------------------|--|
| anchoring to a concrete floor | <ol style="list-style-type: none"> 1. Drill a 4" (101 mm) deep hole using a roto-hammer drill. 2. Remove any debris. 3. Drive the anchor into the hole until the bolt head is seated against the chair base. 4. Tighten the bolt until it firmly holds the baseplate to the floor (see Figure 2). |
| anchoring to a wood floor | <ol style="list-style-type: none"> 1. Drill a 2" (50 mm) deep hole, using a 3/8" (0.375 mm) drill. 2. Remove any debris. 3. Place the washer on the anchor bolt and insert it into the hole. 4. Tighten the anchor bolt until it is tight against the washer and firmly holds the baseplate to the floor (see Figure 3). |

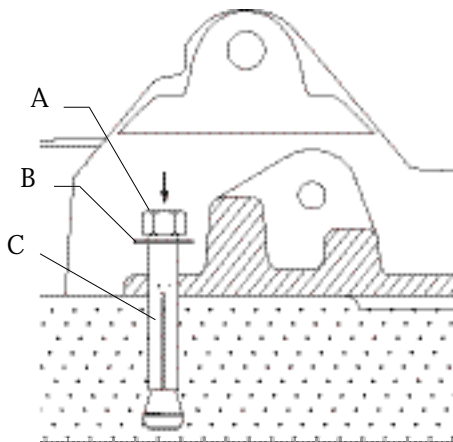


Figure 2. Concrete floor anchoring depth is 4" (101 mm). (A) bolt; (B) washer; (C) anchor

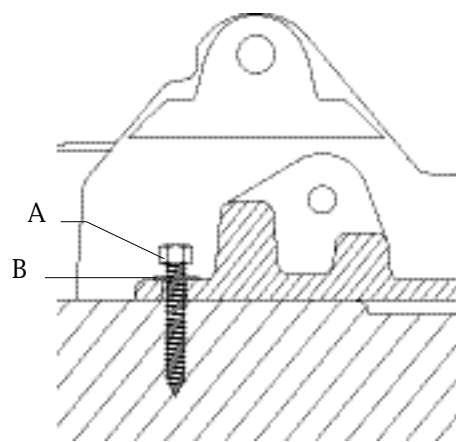


Figure 3. Wood floor anchoring depth is 2" (50 mm). (A) anchor bolt; (B) washer

Before Leaving

Check these steps before leaving.

1. Power on the chair.
2. Check that all necessary adjustments have been made and that the equipment functions properly.
3. Replace any covers.