

CHECK WITH LOCAL CODE AUTHORITIES ABOUT INSTALLATION REQUIREMENTS FOR THIS PRODUCT

Installation Instructions

Relocating the Privacy Panel on Preference Collection® 5543

About this installation instruction

This instruction is for the six possible configurations for relocating the privacy panel on a Preference Collection 5543.

You Will Need

- Drill
- 3/16" drill bit
- Phillips screwdriver

Before You Begin

Determine the side (A, B, or Center) on which the privacy panel is currently located (see Figure 1).

Note: The two sides of the console, defined from the sink end are: A side - left and B side - right.

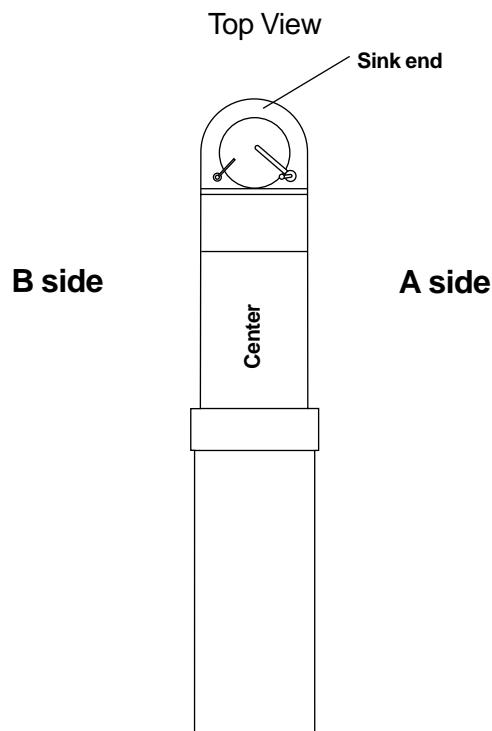


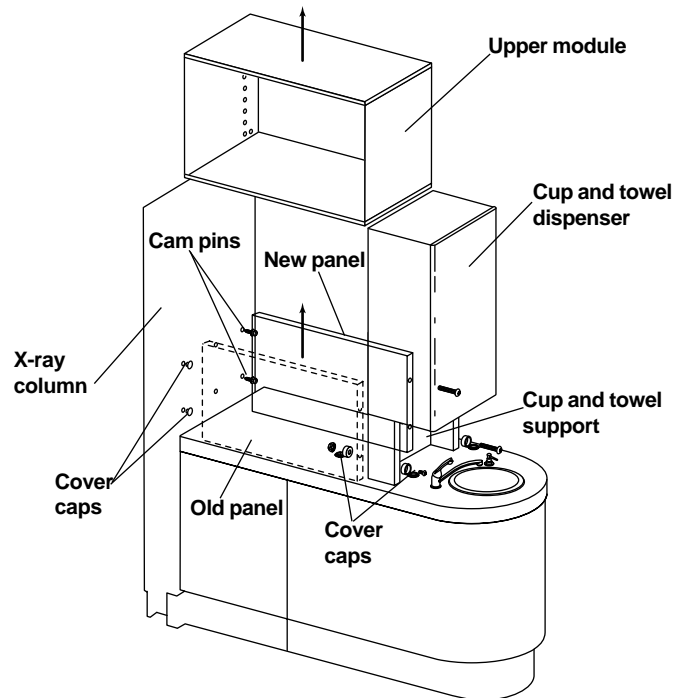
Figure 1

Relocating from A to B Side or B to A Side

Note: If a turntable option is present, the bottom of the turntable must be replaced during conversions.

If there is a task light, move the task light to the opposite side once the privacy panel has been moved.

1. Remove upper module, removing doors and shelves to lessen the weight. Make sure to note door location.



A to B
Figure 2

2. Remove the screws from the cup and towel dispenser end that secures the privacy panel.
3. Remove the privacy panel from the x-ray column by lifting up. Discard the old privacy panel.
4. Drill a new hole in the aluminum cup and towel

support with a 3/16" drill bit 4-11/16" from the countertop at punch mark. Plug the previous side with the screw, nut and caps provided in the kit (see Figure 2).

5. If there is no turntable, drill a new 3/16" diameter hole in the cup and towel dispenser 16" from the countertop and 2-5/8" from the side of the module.
6. Remove cam pins from the previous side of x-ray column. Plug holes with 5mm caps provided in the kit.
7. On the x-ray column, drill two new 3/16" at 4-11/16" and 16" from the countertop and in 4-13/16" from the side of the cabinet. Install the cam pins.
8. Install new privacy panel, and replace upper module.

After completing this section go to —
page 3, *Testing the Unit*

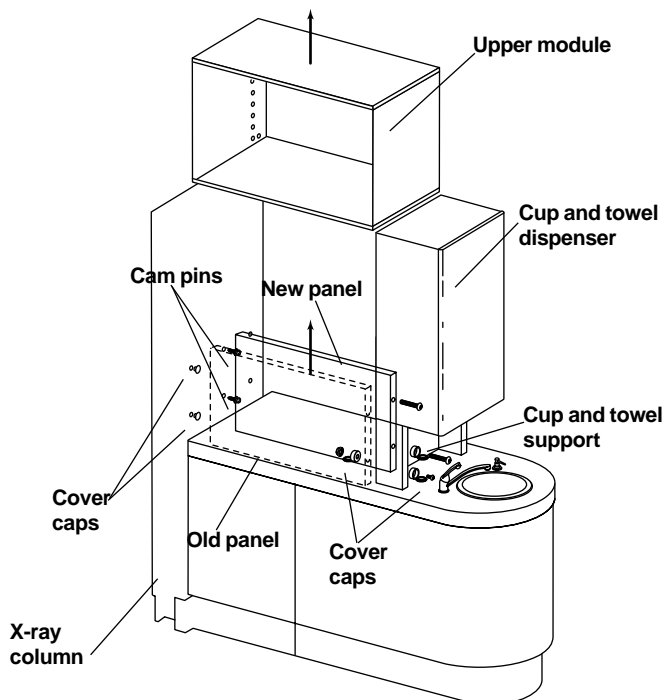
Relocating from A to Center or B to Center

Note: If a turntable option is present, the bottom of turntable must be replaced during conversions.

Moving of the task light is not required. However, two lights are installed at the factory when the privacy panel is located in the center.

1. Remove upper module, removing doors and shelves to lessen the weight. Make sure to note door location.
2. Remove the screws from the cup and towel dispenser end that secures the privacy panel.
3. Remove the privacy panel from the x-ray column by lifting up. Discard the old privacy panel.
4. Drill a new hole in the aluminum cup and towel support with a 3/16" drill bit 4-11/16" from the countertop at the punch mark. Plug the previous side with the screw, nut and caps provided (see Figure 3).
5. If there is no turntable, drill a new 3/16" diameter hole in the cup and towel dispenser 16" from the countertop and 9-3/4" from the side of the module.
6. Remove cam pins from the previous side x-ray column. Plug holes with 5mm caps provided.
7. On the x-ray column, drill two new 3/16" at 4-11/16" and 16" from the countertop and in 12" from the side of the cabinet. Install the cam pins.
8. Install new privacy panel, and replace upper module.

After completing this section go to —
page 3, *Testing the Unit*



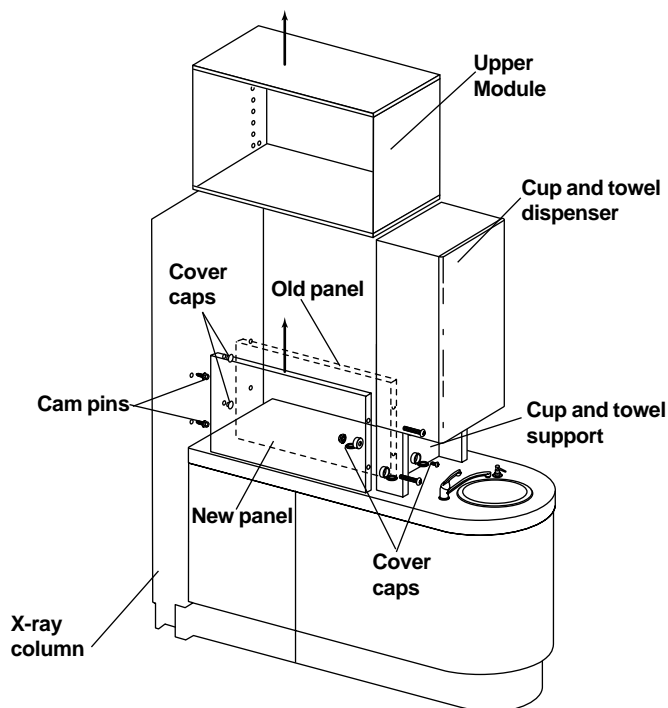
A to Center
Figure 3

Relocating from Center to A or Center to B

Note: If a turntable option is present, bottom of the turntable must be replaced during conversions.

If there is a task light, remove the task light from the side on which the new privacy panel will be installed.

1. Remove upper module, removing doors and shelves to lessen the weight. Make sure to note door location.
2. Remove the screws from the cup and towel dispenser end that secures the privacy panel.



Center to A
Figure 4

3. Remove the privacy panel from the x-ray column by lifting up. Discard the old privacy panel.
4. Drill a new hole in the aluminum cup and towel support with a 3/16" drill bit 4-11/16" from the countertop at the punch marks (see Figure 4). Plug the previous side with the screw, nut and caps provided.
5. If there is no turntable, drill a new 3/16" diameter hole in the cup and towel dispenser 16" from the countertop and 2-5/8" from the side of the module.

6. Remove cam pins from the previous side of the x-ray column. Plug holes with 5mm caps provided.
7. On the x-ray column, drill two new 3/16" at 4-11/16" and 16" from the countertop and in 4-13/16" from the side of the cabinet . Install the cam pins.
8. Install new privacy panel, and replace upper module.

Testing the Unit

Make sure all parts of the cabinet function properly.

Before Leaving the Facility

Return cabinet to normal service.

Identification of Symbols



Recognized by Underwriters Laboratories Inc.® with respect to electric shock, fire and mechanical hazards only in accordance with UL 2601-1. Recognized with respect to electric shock, fire, mechanical and other specified hazards only in accordance with CAN/CSA C22.2, No. 601.1.



UL listed to US (UL 544) and Canadian (CAN/CSA C22.2, No. 125) safety standards.



Classified by Underwriters Laboratories Inc. with respect to electric shock, fire and mechanical hazards only in accordance with UL 2601-1. Classified with respect to electric shock, fire, mechanical and other specified hazards only in accordance with CAN/CSA C22.2, No. 601.1.



Conforms to European Directives (*refer to Declaration Statement*).



Protective earth (ground).



Functional earth (ground).



Attention, consult accompanying documents.



TYPE B APPLIED PART.



CLASS II EQUIPMENT.

Classification of Equipment (EN 60601-1)

Types of shock protection:

CLASS I EQUIPMENT

(Dental Chairs, Dental Lights, & Power Supplies)

CLASS II EQUIPMENT

(Chair, Wall, & Cart Mounted Delivery Systems)

Degree of shock protection:

TYPE B APPLIED PART (Delivery Systems only)

Degree of protection against water ingress:

ORDINARY EQUIPMENT (All products)

Mode of operation:

CONTINUOUS OPERATION

(All models except Dental Chairs)

Mode of operation:

CONTINUOUS OPERATION WITH INTERMITTENT
LOADING (Dental Chairs)

Environmental

Storage - Temperature: -40°C to 70°C (-40°F to 158°F)
Relative Humidity: 95% maximum

Operating - Temperature: 10°C to 40°C (50°F to 104°F)
Relative Humidity: 95% maximum

Electromagnetic Compatibility

This equipment has been tested and found to comply with the limits for medical devices in IEC 601-1-2:1994. These limits are designed to provide reasonable protection against harmful interference in a typical medical installation. Contact A-dec Customer Service if you have any questions.

Flammable Gasses

Not suitable for use in the presence of a flammable anesthetic mixture with air, oxygen, or nitrous oxide.



Recycle
Conserve
Made with recycled paper.

Printed in USA.
Copyright © 2002,
All Rights Reserved.