

Check With Local Code Authorities About Installation Requirements For This Product

Installation Instructions Performer[®] III Chair Arm Slings

You Will Need:

- Hex key set
- Phillips screwdriver

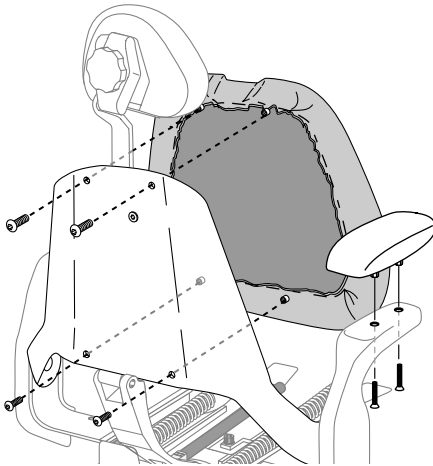
Removing Upholstery and Arm Caps

Note: If the upholstery has not yet been installed proceed to the *Installing the arm slings* section.

If the chair backrest upholstery and the arm caps are already installed you will need to:

Remove the chair backrest upholstery screws and lift off backrest upholstery (retain backrest screws).

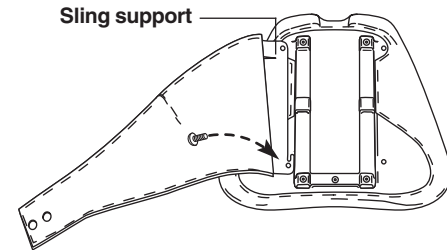
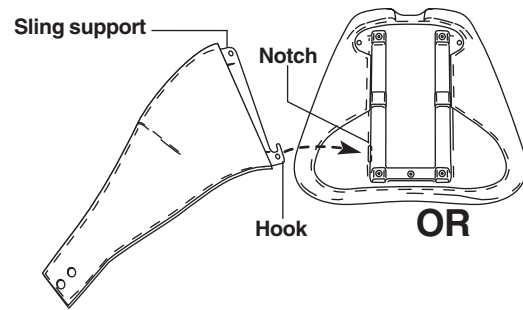
Remove and discard armcap screws and lift off armcaps.



Removing the backrest upholstery and arm caps

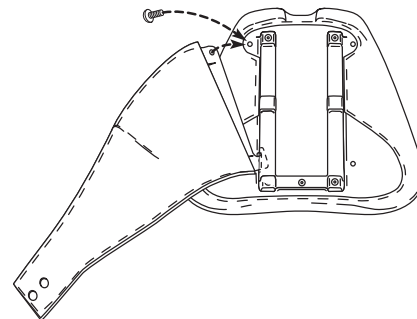
Installing the Arm Slings

1. Insert the hook on the sling support into the notch in the backrest upholstery. If the backrest upholstery doesn't have a notch, secure the lower end of the sling support to the backrest using a button-head screw from the kit.



Inserting the arm sling

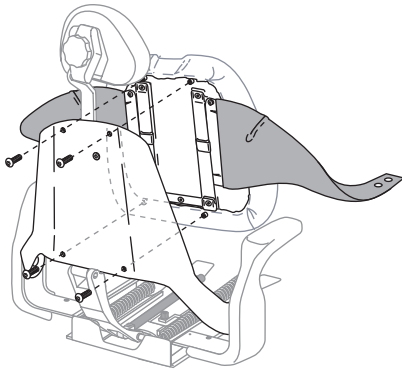
2. Secure the upper end of the sling support to the backrest upholstery using a button-head screw.



Attaching the arm sling

3. Install the other arm sling to the backrest upholstery using the same procedure.

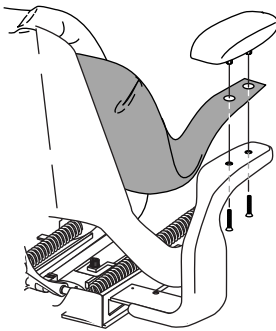
- Secure the backrest upholstery to the backrest by installing the top screws first, followed by the bottom screws.



Securing the backrest upholstery and arm slings to the back

- Align the holes in the arm slings with the holes in the chair armrests.
- Using two flat-head screws each, secure the arm caps firmly to the armrests (see *Reassembling the arm caps with arm slings* below).

Note: If a pivoting armrest is being used, secure the arm caps with the Phillips truss-head screws that came with the pivoting armrest.



Reassembling the arm caps with arm slings

Identification of Symbols



Recognized by Underwriters Laboratories Inc.® with respect to electric shock, fire and mechanical hazards only in accordance with UL 2601-1. Recognized with respect to electric shock, fire, mechanical and other specified hazards only in accordance with CAN/CSA C22.2, No. 601.1.



UL listed to US (UL 544) and Canadian (CAN/CSA C22.2, No. 125) safety standards.



Classified by Underwriters Laboratories Inc. with respect to electric shock, fire and mechanical hazards only in accordance with UL 2601-1. Classified with respect to electric shock, fire, mechanical and other specified hazards only in accordance with CAN/CSA C22.2, No. 601.1.



Conforms to European Directives (refer to Declaration Statement).



Protective earth (ground).



Functional earth (ground).



Attention, consult accompanying documents.



TYPE B APPLIED PART.



CLASS II EQUIPMENT.

Classification of Equipment (EN 60601-1)

Types of shock protection:

CLASS I EQUIPMENT

(Dental Chairs, Dental Lights, & Power Supplies)

CLASS II EQUIPMENT

(Chair, Wall, & Cart Mounted Delivery Systems)

Degree of shock protection:

TYPE B APPLIED PART (Delivery Systems only)

Degree of protection against water ingress:

ORDINARY EQUIPMENT (All products)

Mode of operation:

CONTINUOUS OPERATION

(All models except Dental Chairs)

Mode of operation:

CONTINUOUS OPERATION WITH INTERMITTENT LOADING

(Dental Chairs)

Flammable Gasses

Not suitable for use in the presence of a flammable anesthetic mixture with air, oxygen, or nitrous oxide.

Electromagnetic Compatibility

This equipment has been tested and found to comply with the limits for medical devices in IEC 601-1-2:1994. These limits are designed to provide reasonable protection against harmful interference in a typical medical installation. Contact A-dec Customer Service if you have any questions.

Environmental

Storage - Temperature: -40°C to 70°C (-40°F to 158°F)

Relative Humidity: 95% maximum

Operating - Temperature: 10°C to 40°C (50°F to 104°F)

Relative Humidity: 95% maximum



Recycle
Conserve

Made with recycled paper.