



A-DEC INC.
2601 CRESTVIEW DRIVE
POST OFFICE BOX 111
NEWBERG, OREGON 97132 USA
TELEPHONE (503)-538-9471

DESIGNATED E.U. REPRESENTATIVE:
A-DEC DENTAL U.K., LTD.
AUSTIN HOUSE
11 LIBERTY WAY
ATTEBOROUGH FIELDS INDUSTRIAL ESTATE
NUNEATON, WARWICKSHIRE
ENGLAND CV116RZ
PHONE: 0800-ADECUK (233285) WITHIN UK
00 44 24 7635 0901 OUTSIDE UK

A-DEC AUSTRALIA
41-43 BOWDEN STREET
ALEXANDRIA, N.S.W. 2015
AUSTRALIA
TELEPHONE (61) 1.800.225010

CHECK WITH LOCAL CODE AUTHORITIES ABOUT INSTALLATION REQUIREMENTS FOR THIS PRODUCT

INSTALLATION INSTRUCTIONS

SELF-CONTAINED WATER SYSTEM TO DECADE® 1021 SOLO® CHAIR

YOU WILL NEED:

- Hex keys: 1/8", 5/32"
- Diagonal cutters

BEFORE YOU BEGIN

1. Move the Master On/Off toggle, located on the floor box (see Figure 1), to the OFF position. Bleed the system of air and water by operating the syringe.

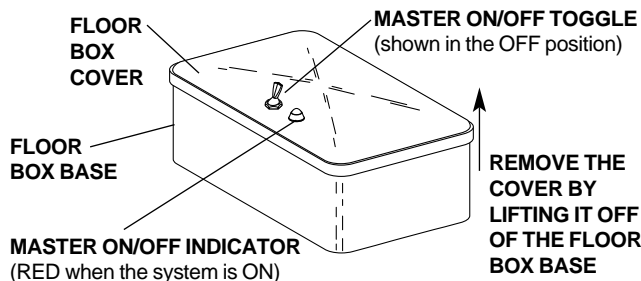


FIGURE 1

2. Remove the floor box cover by simply lifting the cover off of the floor box base (see Figure 1).
3. Turn off the system water supply at the manual water shutoff valve inside the floor box.

INSTALL THE SELF-CONTAINED WATER SYSTEM

4. Remove the solids collector from the chair backrest by pulling it out of its connector. Remove the four screws that secure chair backrest cover (see Figure 2). Carefully pull the cover away from the chair backrest, allow the cover to hang on the instrument arm (see Figure 3).

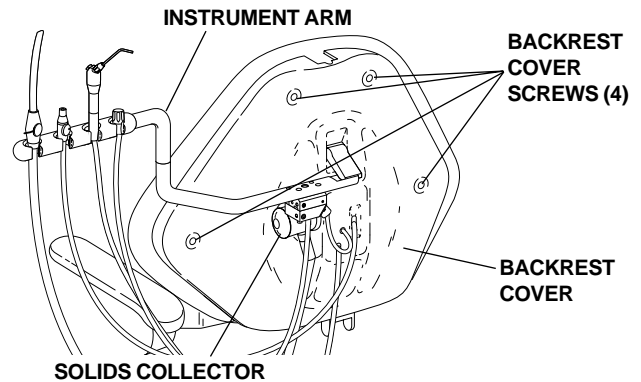


FIGURE 2

BACKREST UPHOLSTERY (4) SCREWS
(2 not shown)

BACKREST
UPHOLSTERY

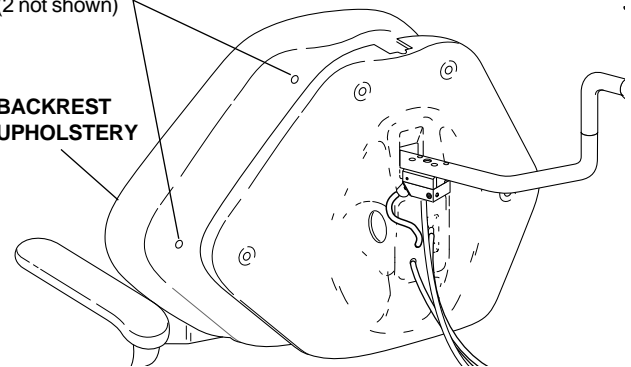


FIGURE 3

5. Remove the four 10-32 x 5/8" (15.9 mm) long button-head screws that secure the chair backrest upholstery (see Figure 3), then remove the backrest upholstery and set aside.

- Remove the two (2) 1/4-20 x 5/8" (16 mm) long button-head screws from the chair backrest bracket (see Figure 4) and replace with them two (2) 1/4-20 x 3/4" (19 mm) long button head screws from the kit.

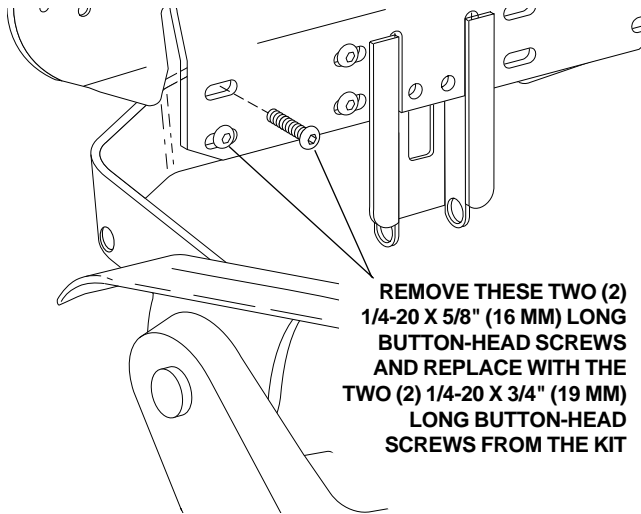


FIGURE 4

- Install the regulator bracket from the kit onto the screws installed in Step 6 (see Figure 5). Secure the bracket with the two (2) hex nuts from the kit.

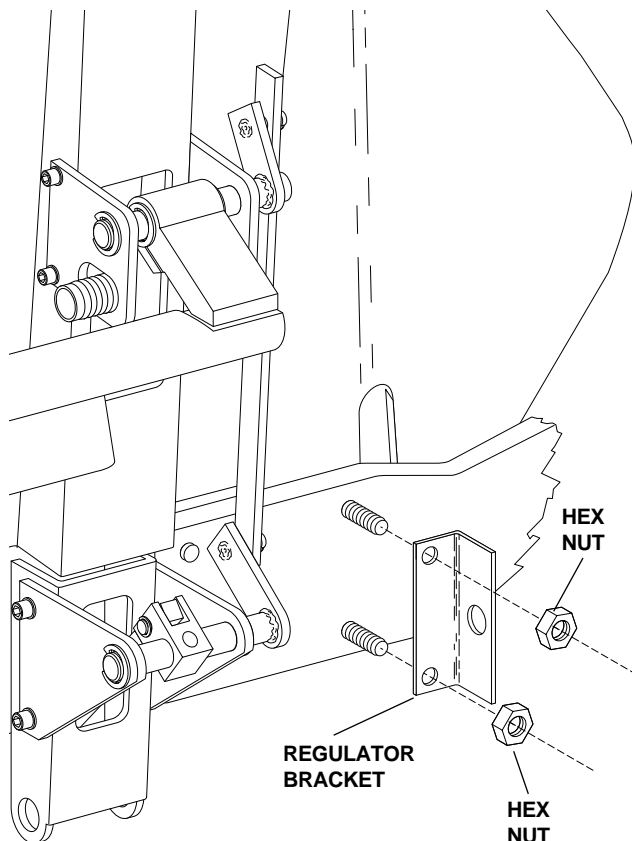


FIGURE 5

- Locate the 40-psi regulator in the kit and remove the hex nut from the regulator. Install the regulator to the bracket (see Figure 6). Secure the regulator with the hex nut removed from the regulator.

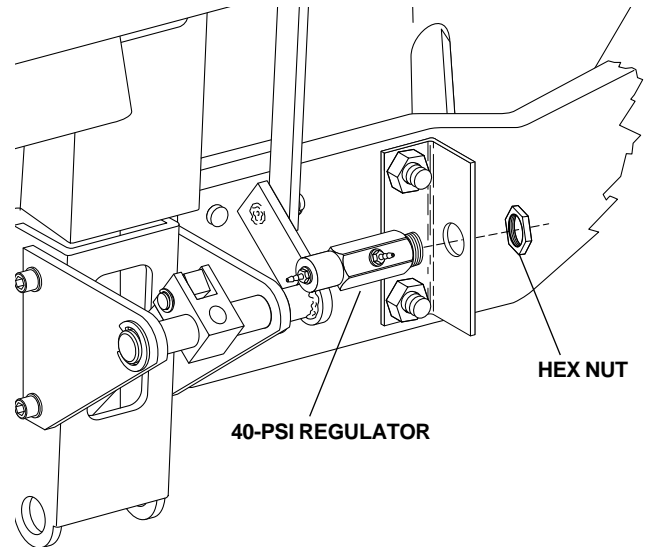


FIGURE 6

- Locate the bottle mounting pin and retaining screw from the kit. The water bottle can be mounted on either side of the chair. Install the mounting pin and retainer screw as shown in Figure 7. Securely tighten the retaining screw.

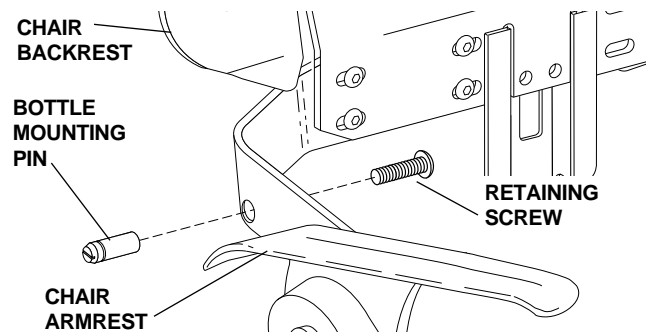


FIGURE 7

- Install the self-contained water bottle cap to the mounting pin (see Figure 8).

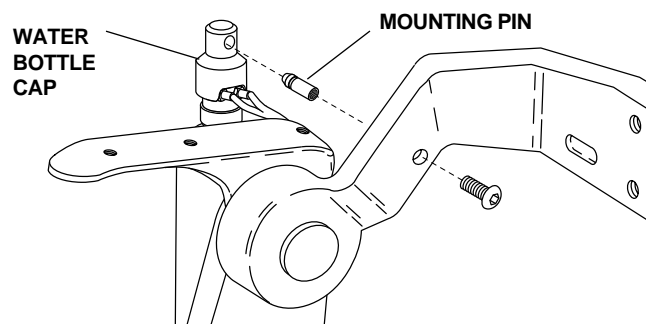


FIGURE 8

11. Route the 1/8" twin-hole tubing coming from the bottle cap under the armrest bracket and through the backrest (see Figure 9).
12. Separate the air (ribbed) tubing and the water (smooth) tubing coming from the cap. Slide a uni-clamp on the air (ribbed) tubing. Connect the air (ribbed) tubing to the barb on the side of the 40-psi regulator (see Figure 9). Secure the connection with the uni-clamp.
13. Locate the plastic tee connecting (see Figure 9) the oral water (red) tubing coming from the chair umbilical, the syringe water (black) tubing, and the handpiece control block water (red) tubing. Slide the uni-clamp, securing the oral water (red) tubing coming from the chair umbilical, away from the plastic tee and remove the oral water tubing from the plastic tee (see Figure 9). Install a 1/8" tubing plug, from the kit, onto the red tubing coming from the chair umbilical. Secure the connection with the uni-clamp.
14. Slide a uni-clamp on the water (smooth) tubing. Connect the tubing to the plastic tee (see Figure 9). Secure the connection with the uni-clamp.
15. Remove the air (yellow) tubing from the kit. Slide a uni-clamp onto the tubing and connect the tubing to the remaining barb on the regulator (see Figure 9). Secure the connection with the uni-clamp.
16. Locate the air (yellow) tubing coming from the chair umbilical. Cut the air (yellow) tubing (see Figure 9). Slide a uni-clamp onto each end of the air tubing and reconnect the air tubing using a plastic tee from the kit. Secure the connections with the uni-clamps.
17. Slide a uni-clamp onto the yellow tubing installed to the regulator in Step 15. Connect the air tubing to the remaining barb on the plastic tee installed in Step 16 (see Figure 9).

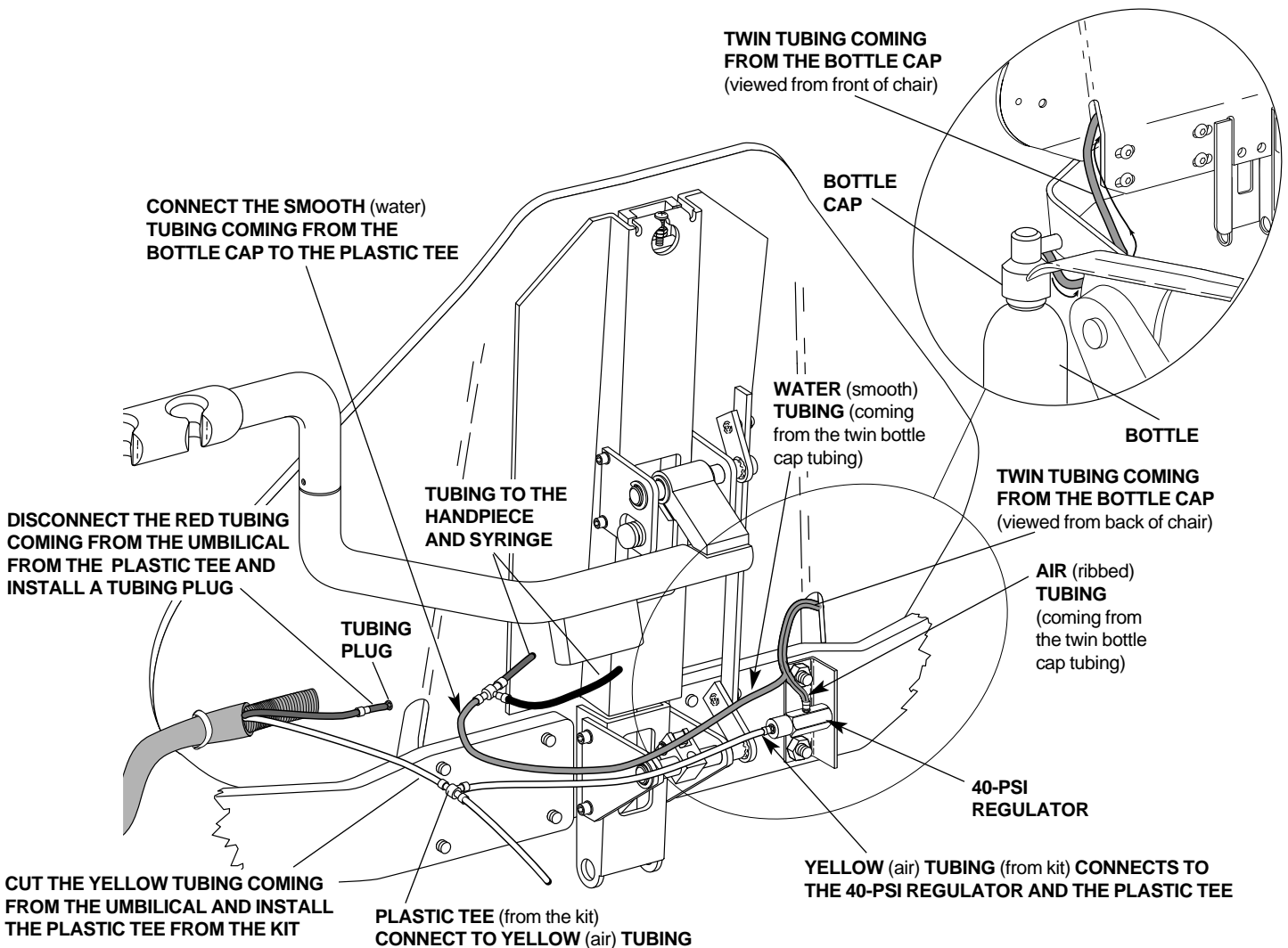


FIGURE 9

TEST THE SYSTEM

18. Install the clear tubing from the kit to the barb inside the water bottle cap.
19. Remove a water bottle from the kit and fill with water specified by the doctor or assistant.
20. Move the Master On/Off toggle to the ON position. The hissing noise is the system bottle pressurizing.
21. Operate the syringe and handpiece for water. Check all connections for leaks.
22. Reinstall the chair backrest upholstery with the four (4) screws removed in Step 5.
23. Reinstall the chair backrest cover with the four screws removed in Step 4.
24. Make sure the tubing is not pinched or kinked by operating the syringe and handpiece again for water and air.

BEFORE LEAVING THE FACILITY

25. Move the Master On/Off toggle to the OFF position.
26. Distribute the Owner's Guide and instruct the dental team on proper care and maintenance of the Self-contained Water System.



Recycle
Conserve
Made with 10% post-consumer fiber

Printed in U.S.A.
Copyright © 1995
All Rights Reserved