



A-DEC INC.
2601 CRESTVIEW DRIVE
POST OFFICE BOX 111
NEWBERG, OREGON 97132 USA
TELEPHONE (503)-538-9471

DESIGNATED E.U. REPRESENTATIVE:
A-DEC DENTAL U.K., LTD.
AUSTIN HOUSE
11 LIBERTY WAY
ATTLBOROUGH FIELDS INDUSTRIAL ESTATE
NUNEATON, WARWICKSHIRE
ENGLAND CV11 6RZ
PHONE: 0800-ADECUK (233285) WITHIN UK
00 44 24 7635 0901 OUTSIDE UK

A-DEC AUSTRALIA
41-43 BOWDEN STREET
ALEXANDRIA, N.S.W. 2015
AUSTRALIA
TELEPHONE (61) 1.800.225010

CHECK WITH LOCAL CODE AUTHORITIES ABOUT INSTALLATION REQUIREMENTS FOR THIS PRODUCT

INSTALLATION INSTRUCTIONS

A-DEC CASCADE® STOOL ASSEMBLY

YOU WILL NEED:

- 7/16" or adjustable wrench
- Phillips screwdriver
- Flat blade screwdriver
- 1/8" hex wrench

IF YOU ARE INSTALLING:

- *Cascade Assistant's Stool with Torso Support, go to page 1 below.*
- *Cascade Assistant's or Doctor's Stool with traditional-style backrest, go to page 2.*

CASCADE ASSISTANT'S STOOL WITH TORSO SUPPORT

Refer to Figure 1 while assembling the assistant's stool with torso support.

Assemble the Stool Base

1. Remove the five casters and the stool base from the kit. Insert the casters fully into the base.
2. Remove foot support and cylinder from the kit. Insert the cylinder through the foot ring and into the stool base assembly.
3. Install the adjustment mechanism onto the cylinder.

Install the Stool Seat Upholstery

4. Using the four (4) short bolts from the kit, install the stool seat upholstery to the adjustment mechanism.
5. Sit on the stool to seat both ends of the cylinder.

Install the Torso Support Upholstery

6. Using the two (2) washers and two (2) long bolts from the kit, install the torso support upholstery to the mounting arm upright.

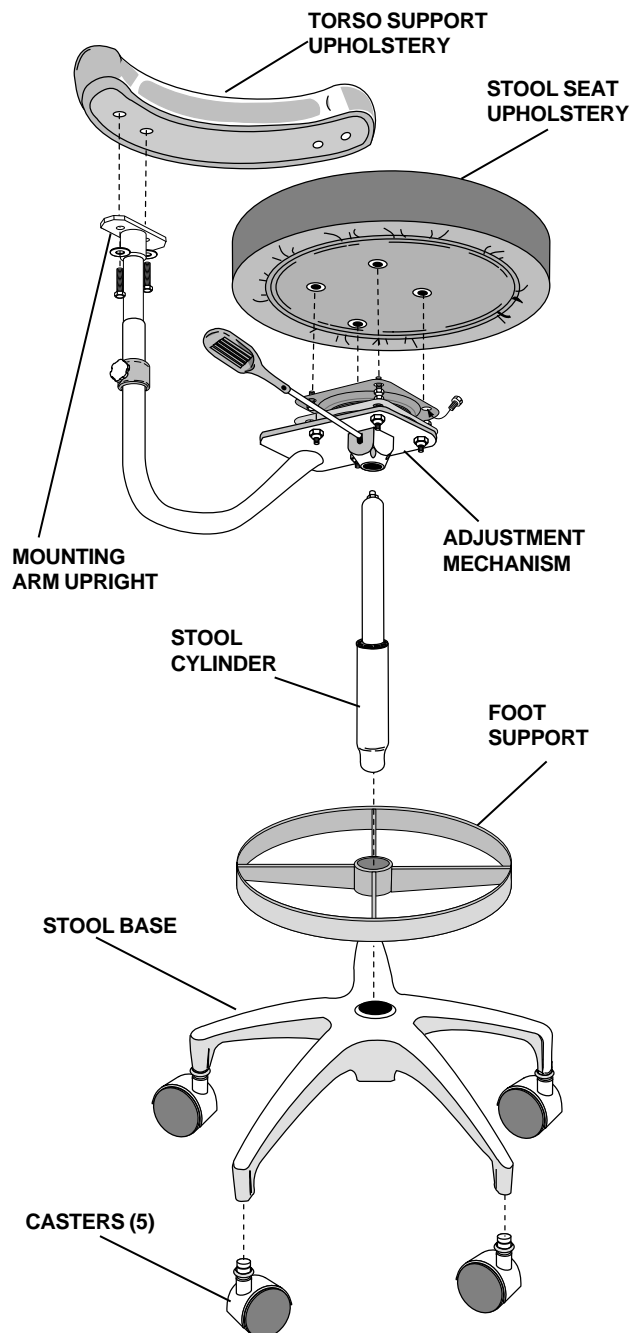


FIGURE 1

CASCADE ASSISTANT'S STOOL AND DOCTOR'S STOOL

Assemble the Stool Base

Refer to Figure 2 while assembling the assistant's or doctor's stool base.

7. Remove the five casters and the stool base from the kit. Insert the casters fully into the base.
8. Remove cylinder and foot support (if applicable) from the kit.

Doctor's stool, insert the stool cylinder into the stool base assembly.

Assistant's stool, insert the cylinder through the foot support and into the stool base assembly.

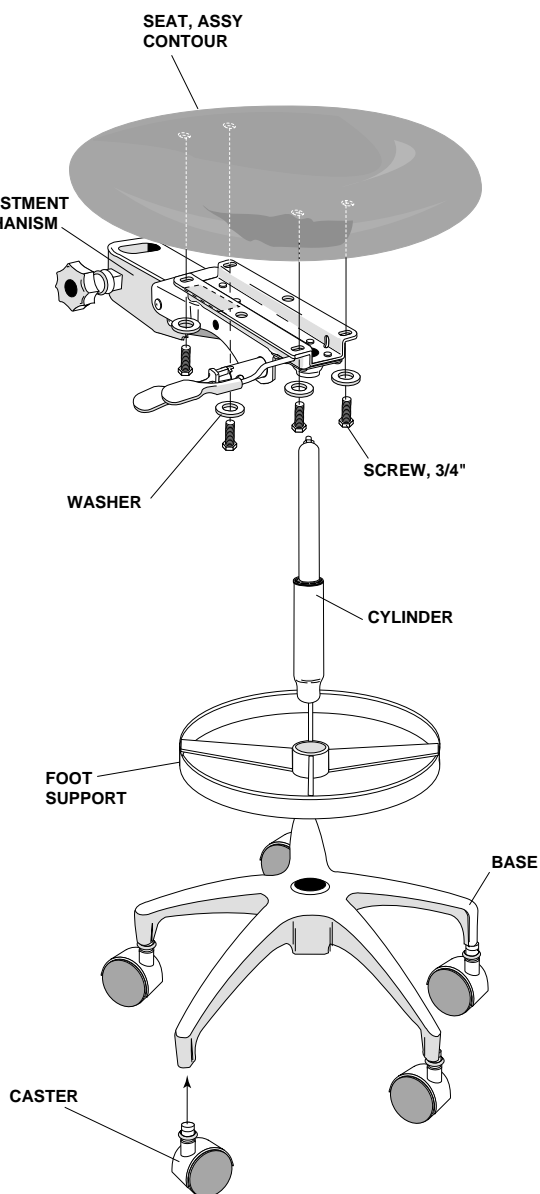


FIGURE 2

9. Install the adjustment mechanism onto the cylinder.

Install the Stool Seat Upholstery

Refer to Figure 2 while assembling the assistant's or doctor's seat upholstery.

10. Using the four (4) short bolts from the kit, install the stool seat upholstery to the adjustment mechanism.
11. Sit on the stool to seat both ends of the cylinder.

Install the Backrest Upholstery

12. Remove the back upholstery assembly, backrest upright, spring, back cover and the two phillips head screws from the kit.
13. Place the back upholstery assembly on a firm, flat surface. Install the spring on the spring retaining guide on the backrest upholstery assembly (see Figure 3 for the contoured backrest or see Figure 4 for the oval backrest).

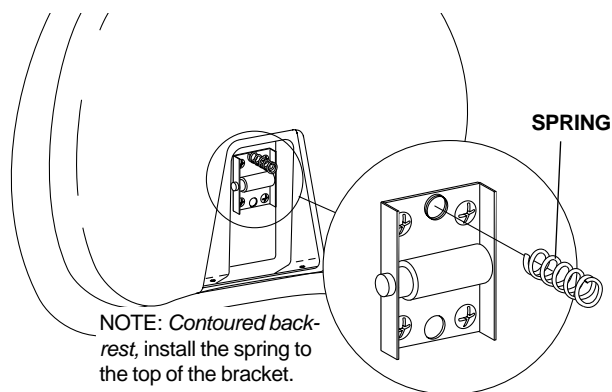


FIGURE 3
CONTOURED BACKREST

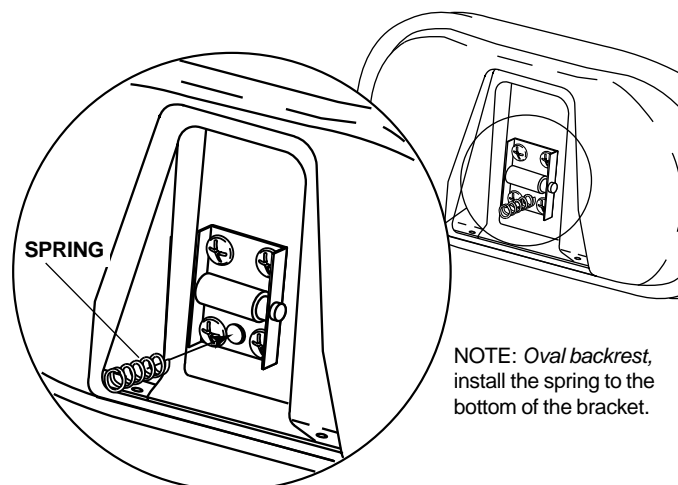


FIGURE 4
OVAL BACKREST

- Place the backrest upright over the spring pin assembly. Insert one end of the spring pin into the hole in the side of the backrest upright. Using a screwdriver, push the opposite end of the spring pin in while gently pressing down on the backrest upright (see Figure 5). The pin will slide up, into the backrest upright, and pop through the remaining hole.

NOTE: Contoured backrest is shown, installation of the oval backrest is the same.

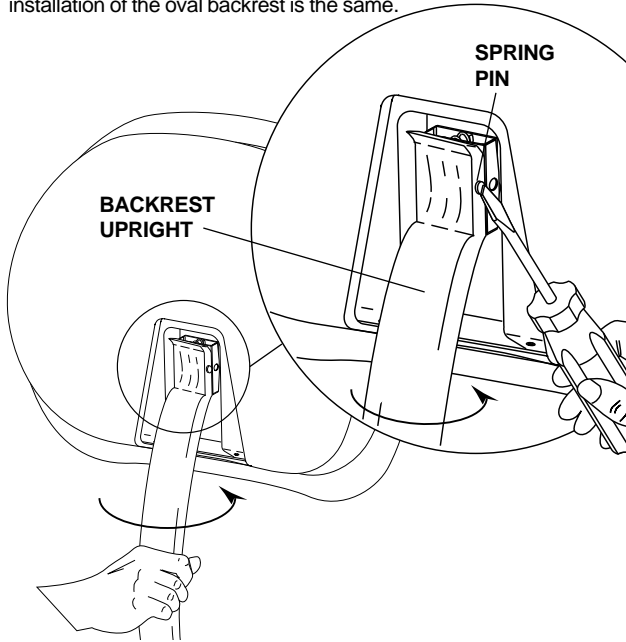


FIGURE 5

- Insert the tab on the trim cover into the slot in the back upholstery assembly. Use the two phillips head screws to retain the cover.

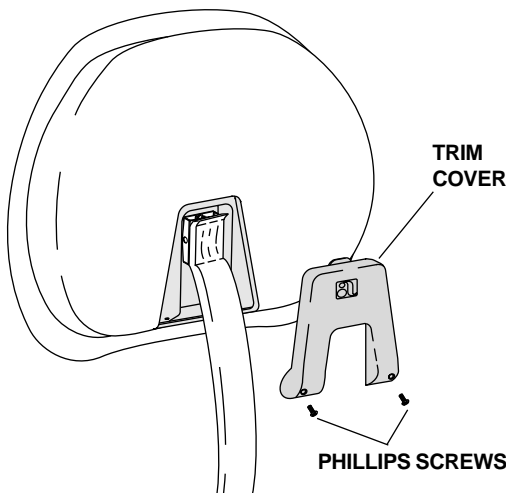


FIGURE 6

- Install the stool backrest assembly to the stool base by inserting the upright into the stool adjustment mechanism (see Figure 7).

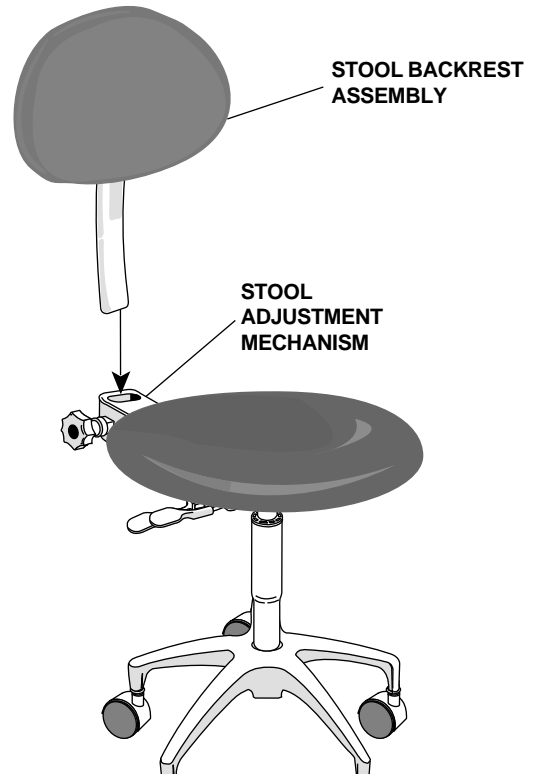


FIGURE 7

ASSISTANT'S FOOT SUPPORT ADJUSTMENT

- Position the foot support to the desired height. Tighten the two set screws to hold the foot support in position (see Figure 8).

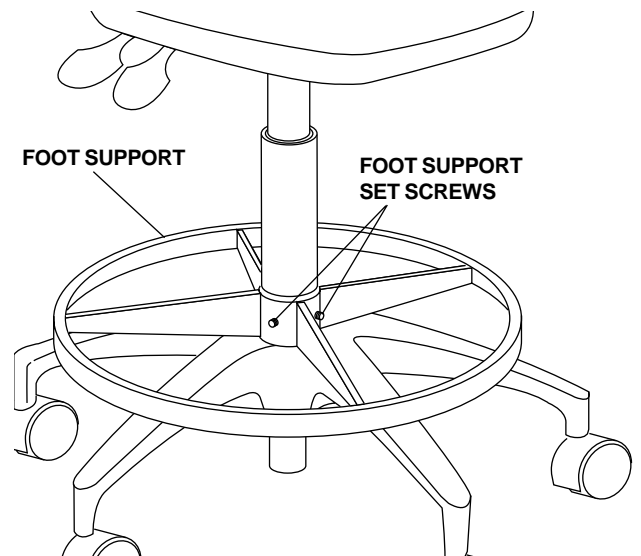


FIGURE 8

BEFORE LEAVING THE FACILITY

18. Distribute, and review, the *Owner's Guide* with the dental team.



Recycle
Conserve
Made with 10% post-consumer fiber

Printed in U.S.A.
Copyright © 1996
All Rights Reserved