

Ceiling Monitor Mount



A - D E C T E C H N I C A L S P E C I F I C A T I O N

Introduction

This document contains technical specifications for installing a ceiling monitor mount. Check with local building and code authorities about installation requirements. They differ from state to state and internationally.

This specification contains the following sections:

- Construction Requirements
- Miscellaneous Requirements
- Active Working Area



WARNING Consult a licensed professional, i.e. structural or architectural engineer, for mounting to metal studs or masonry walls. Ensure that all installations conform to local code requirements.

WARNING Mounting structure must be designed to support a minimum 55 lb. (25 kg) static load and a minimum moment of 203 ft.-lb. (275 Nm)

Shipping Weight:

Ceiling Monitor Mount Short Post with Flexarm - 46lb.

Ceiling Monitor Mount Short Post without Flexarm - 35b.

Ceiling Monitor Mount Long Post with Flexarm - 49lb.

Ceiling Monitor Mount Long Post with Flexarm - 37lb.

Construction Requirements

Mounting Location

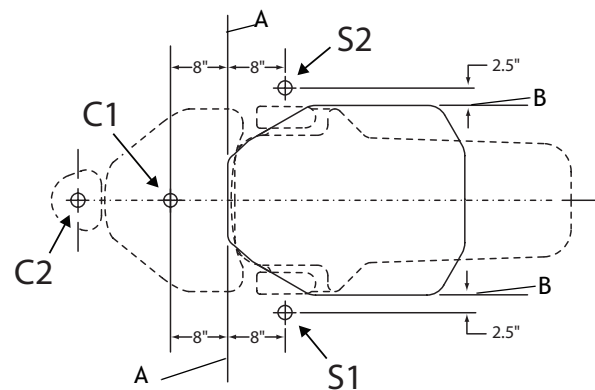
■ Determine Recommended Mounting Location

1. Determine the recommended mounting location for the ceiling-mount monitor in relation to the dental chair (see Figure 1).
2. Check with the doctor to determine whether a left or right hand installation is desired.

Table 1 Monitor Mount and Light Compatibility

Type of Light	Mount Off Center of the Dental Chair	Mount Center Line of the Dental Chair or 12 O'clock
Track Mount Ceiling Light		C2 Position a minimum of 6-1/2" in front of the track light.
Fixed Mount Ceiling Light	S1 or S2	C1
Chair Mount Light	S1 or S2	
Preference Mount Light	S1 or S2	

Figure 1 Recommended Mounting Locations

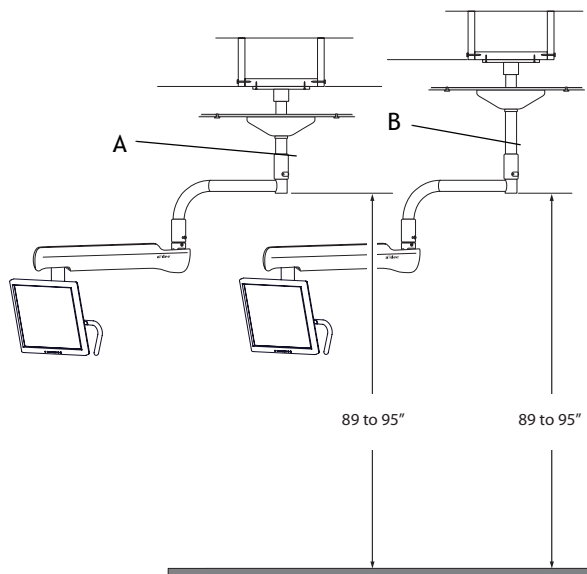


(A) Back of Baseplate; (B) Side of Baseplate



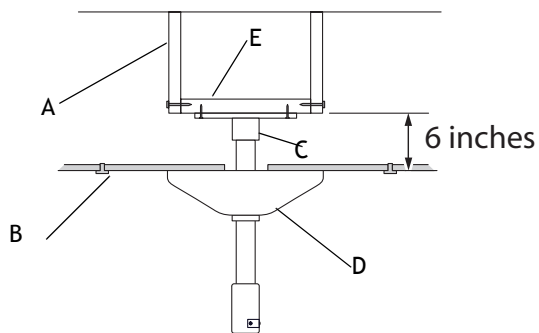
NOTE The monitor mount should measure a minimum of 89" from the bottom of the extension arm (see Figure 2) after installation.

Figure 2 Proper Installation Height



(A) Short Post (for use on a 8-6' to 9' false ceiling);
 (B) Long Post (for use on a 9-1/2' to 10' false ceiling)

Figure 3 False Ceiling



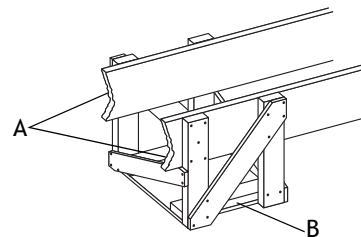
(A) Ceiling Joists; (B) False Ceiling; (C) Mounting Plate With Collar and Post; (D) Cover; (E) Mounting Structure

Ceiling and Bracing Type

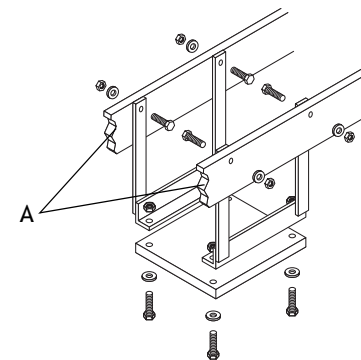
1. Determine the type of material (wood frame or metal) to which the monitor mount is being installed (see Table 2).
2. Build mounting structure. Leave a maximum of 6" clearance between the false ceiling and the support structure ensures correct product height for a given ceiling height and post length (see Figure 3).

Table 2 Ceiling and Bracing Type

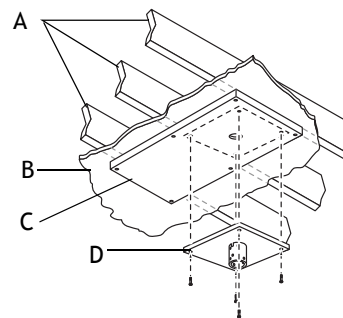
False Ceiling with Wood Construction
 (A) Ceiling Joists;
 (B) Mounting Structure



False Ceiling with Metal Construction
 (A) Ceiling Joists



Existing Construction
 (A) Ceiling Joists;
 (B) Finished Ceiling;
 (C) Backing Structure;
 (D) Mounting Plate



Miscellaneous Requirements

- Only use cables supplied with the monitor or recommended by the manufacturer of the monitor.
- Contact the manufacturer of the monitor for applications where the cables need to be extended or customized.
- Monitor weight not to exceed 20 lb.
- Always follow local building and electrical codes.

References

- Installation Guides:
 Wall Monitor Mount (P/N 86.0066.00)
- Full-size Templates:
 Wall Monitor Mount (P/N 86.0076.00)



