

A-dec 542 Delivery System



A - D E C T E C H N I C A L S P E C I F I C A T I O N

Introduction

This document contains technical specifications for installing A-dec 542 Delivery System to a wall. This specification contains the following sections:

- Construction Requirements
- Utilities
- Miscellaneous Requirements
- Active Working Area



CAUTION Local regulation requires licensed plumbers and electricians to install utilities. All plumbing and utilities must conform to prevailing local codes.

Construction Requirements

Wall Construction Requirements

- **Standard wood wall construction with/without utilities:**
2x6 minimum
- **Non-Standard wall construction:**
7 1/2" depth minimum

Utilities

Air

- The air supply pipe must protrude 3" (76.2mm) at rough-in.
- Finish, test, and cap the pipe so it protrudes 1" (25.4mm) from finished floor (or wall surface).
- A manual shut-off valve with 3/8" compression outlet supplied by the contractor is required.
- Flush the air supply plumbing clean before making final connections to the dental equipment.
- Plumb from the manual shut-off to the A-dec-supplied 3/8" O.D. air line using a 3/8" compression fitting.
- Air requirements are 80-125 psi (550 to 860 KPa), 2.5 scfm (71 sl/min) minimum, during normal use (7.5 scfm [210 sl/min] peak intermittent flow).

Electrical (Optional)

- If electrical/power is required in the utility locations, install 1/2" (13mm) conduit and box with duplex or equal receptacle, supplied by contractor. Wire box as per code.
- Voltage: 120VAC-3 wire. (Horizontally orient duplex receptacle.)
- Utilities must be non-tool accessible.

Central Vacuum

The central vacuum plumbing should terminate in the cabinet as follows:

- **Wet systems:** Plumbing should terminate with 5/8" (16mm) O.D. tube protruding 1" perpendicular to the floor. 10 + 2 in Hg, 9 scfm minimum.
- **Dry/Semi-dry systems:** Plumbing should terminate with 40mm O.D. tube protruding 1" perpendicular to the floor. 4.5 + 1 in Hg, 12 scfm minimum.

Gravity Drain

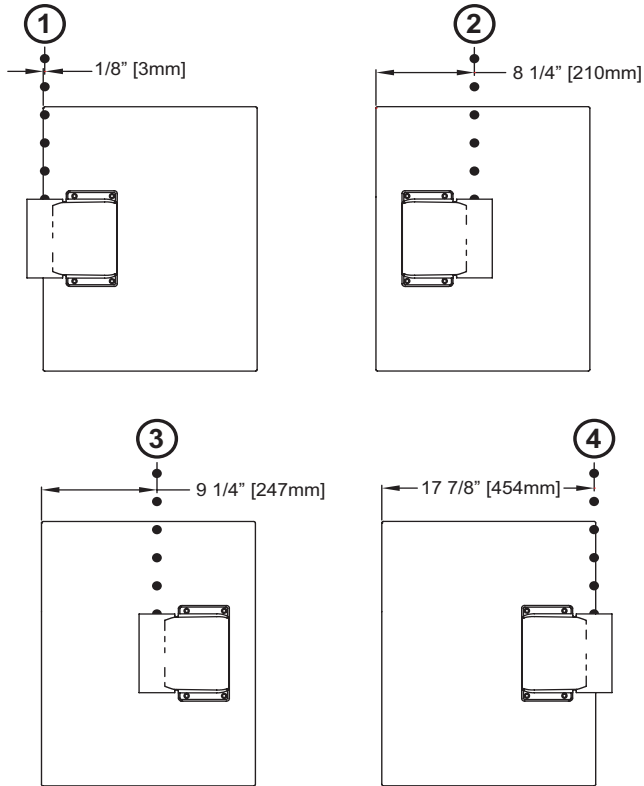
The contractor should supply the floor mounting. The gravity drain tubing is to protrude 3" (76.2mm) roughed-in from the finished floor. Connect the A-dec-supplied basket strainer to the 1-1/4" or 1-1/2" flanged tailpiece.



NOTE Place trap in-line to conform to prevailing local codes.

Miscellaneous Requirements

When minor adjustments are necessary to spot the 542 control head properly within the treatment room, use one of the following wall board and/or mounting bracket positioning options.

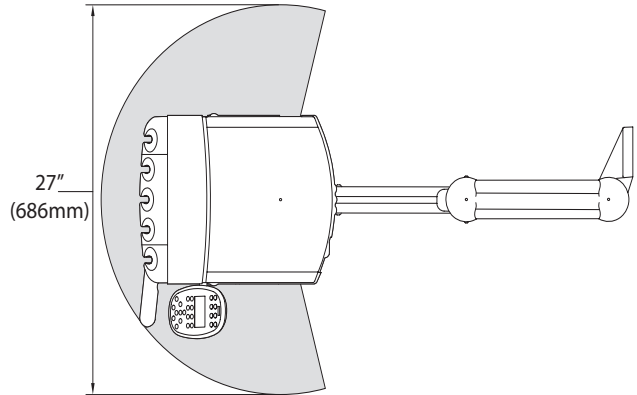


Using either the right hand or left hand mounting positions on the wallboard and flip the mounting bracket orientation to achieve four different control head positions.

(The dimensions shown in the examples are typical regardless of which side of the wall board you begin dimensioning from.)

Active Working Area

Figure 1 Active Working Area



References

• Installation Guides:

A-dec 500 Side Delivery System (P/N 86.0467.00)

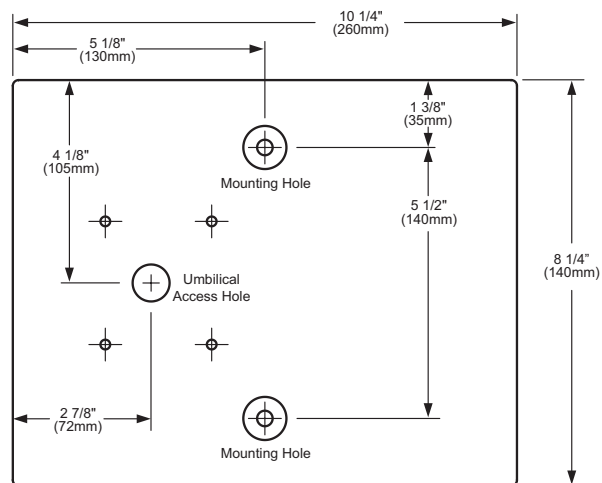
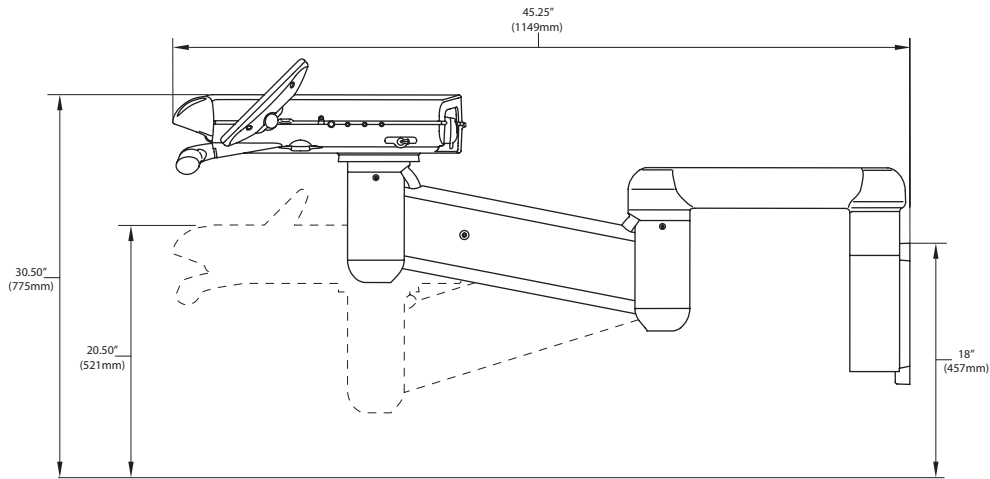
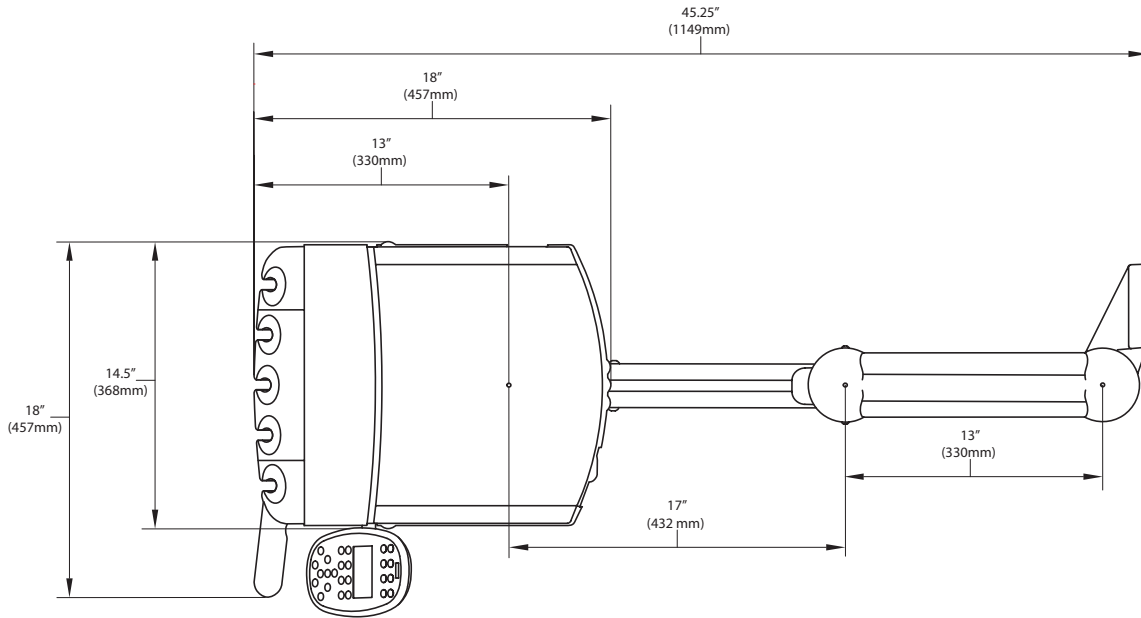
• Service Guides:

Service Guide Addendum, A-dec 500, Volume II (P/N 85.0816.99)

• Full-size Templates:

- A-dec 542 Wall Mount (P/N 85.0050.00)
- A-dec 500 Chair (P/N 86.0905.00)
- A-dec Floor Box (P/N 85.0472.00)





Water Bottle Mounting Board Template



