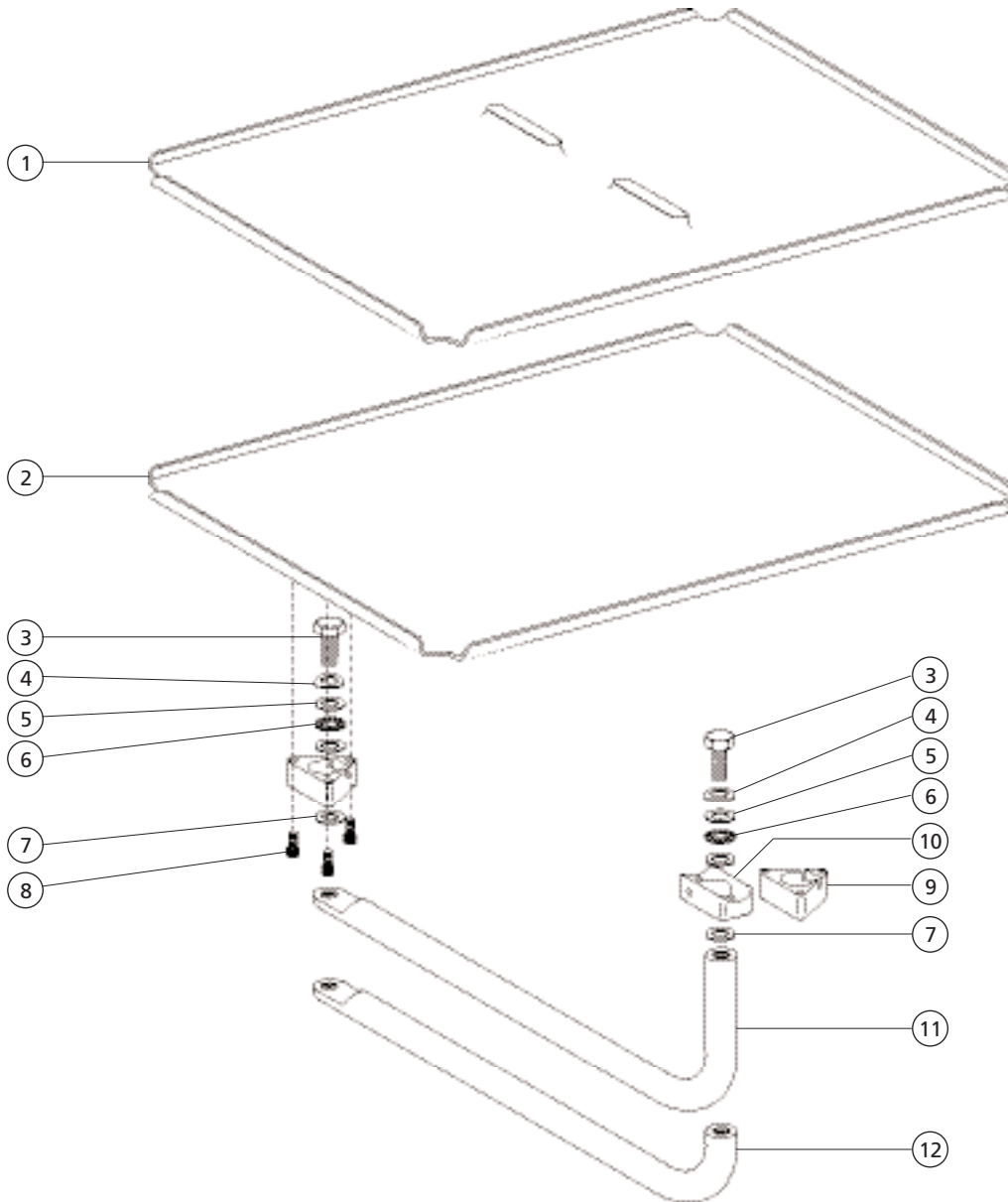


Trays, Tray Holders and Shelves

**Control Head Mount Tray Holders
Continental 47-1378-00, 47-1381-00,
47-1389-00, and 47-1391-00**

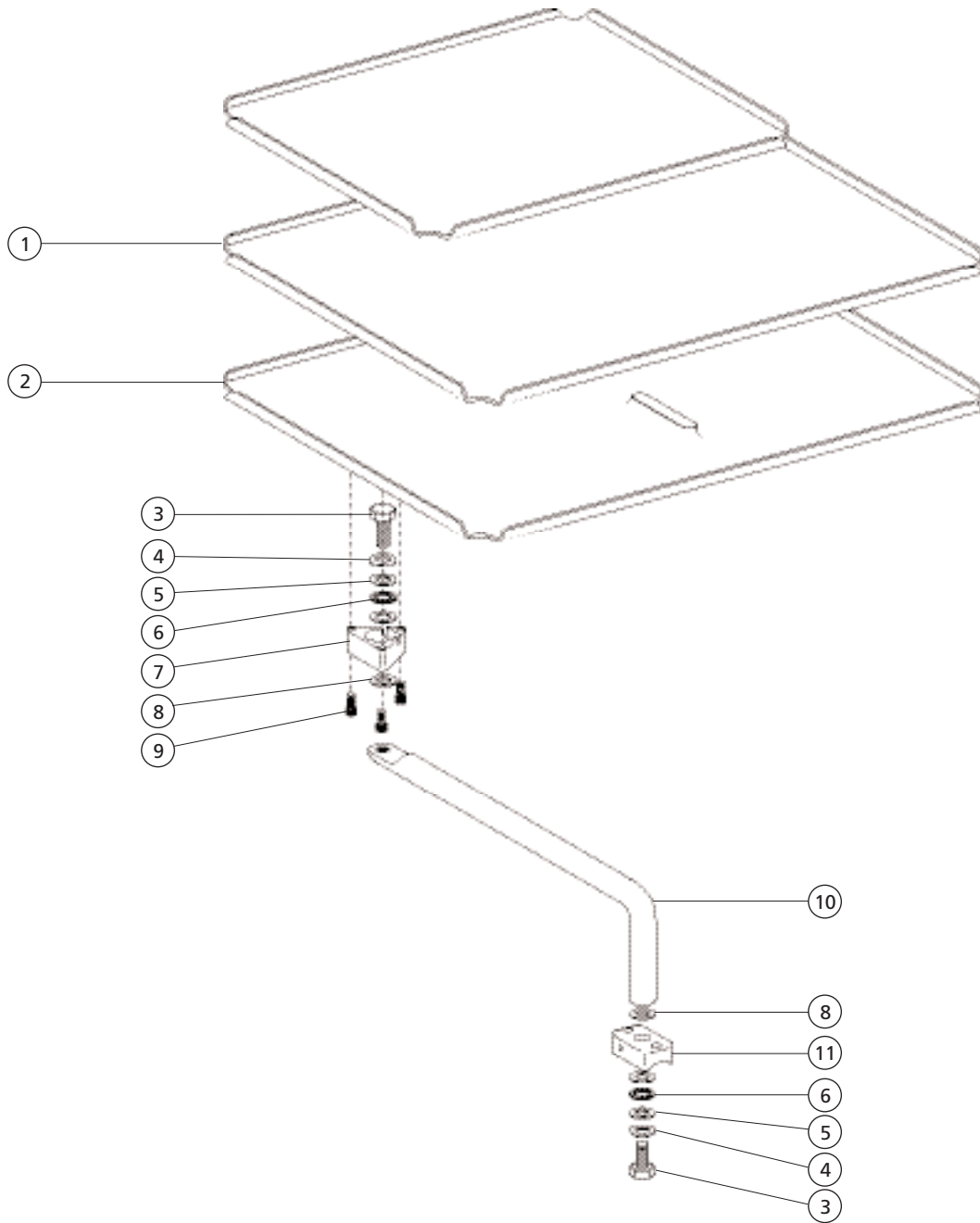


12

REF. NO.	DESCRIPTION	PART NO.
1	Twin Tray Holder	47-1380-00
2	Tray Holder, 17 x 11-1/2	47-1374-00
3	Scr, Hex Hd, 3/8-16 x 3/4 GR 5 Z	005-135-00
4	Washer, Spring, SS, .384 ID	004-019-00
5	Washer, Thrust .375 ID	004-172-00
6	Bearing, Thrust .375 ID	016-102-00

REF. NO.	DESCRIPTION	PART NO.
7	Washer Nylatron .380 ID x .02	39-1048-00
8	Scr, 10-32 x 3/8, Soc Hd	002-130-00
9	Bearing Mount, Tray Holder	39-1036-00
10	Mounting Block Tray Holder	39-1066-00
11	Arm, Tray Holder, Use w/39-1036-00	47-1388-00
12	Arm, Tray Holder, Use w/39-1066-00	47-1373-00

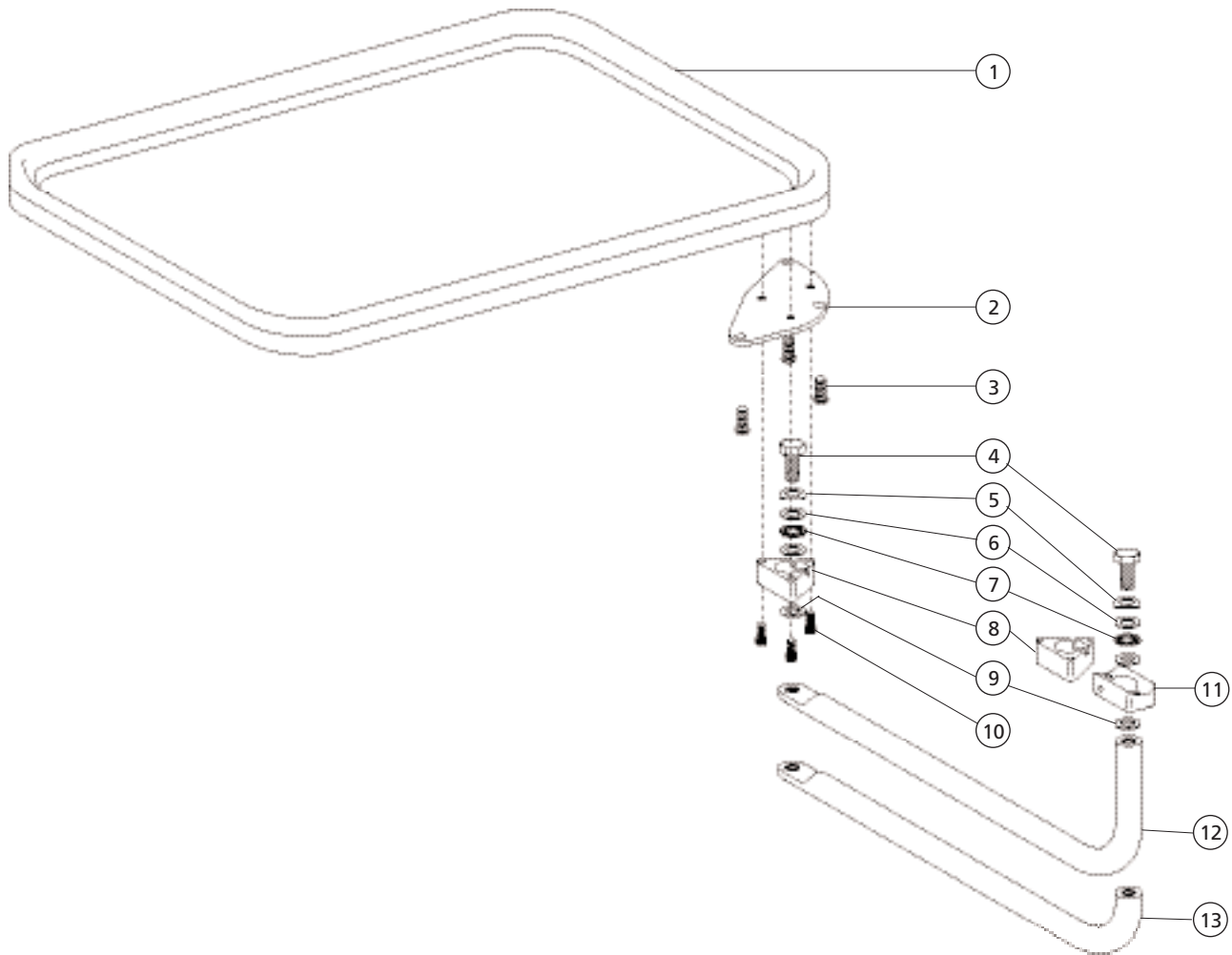
Traditional Tray Holders 47-1376-00, 47-1377-00, and 47-1382-00



REF. NO.	DESCRIPTION	PART NO.
1	Tray Holder, 17 x 11 1/2	47-1374-00
2	Twin Tray Holder	47-1380-00
3	Scr, Hex Hd, 3/8-16 x 3/4 GR 5 Z	005-135-00
4	Washer, Spring, SS, .384 ID	004-019-00
5	Washer, Thrust .375 ID	004-172-00
6	Bearing, Thrust .375 ID	016-102-00

REF. NO.	DESCRIPTION	PART NO.
7	Bearing Mount, Tray Holder	47-1372-00
8	Washer Nylatron .380 ID x .02	39-1048-00
9	Scr, 10-32 x 3/8, Soc Hd	002-130-00
10	Arm, Tray Holder, Std	39-1040-00
11	Mounting Block Tray Holder	39-1066-00

Control Head or Control Arm-Mount Tray Holders 39-1115-00 and 39-1042-00 Obsolete

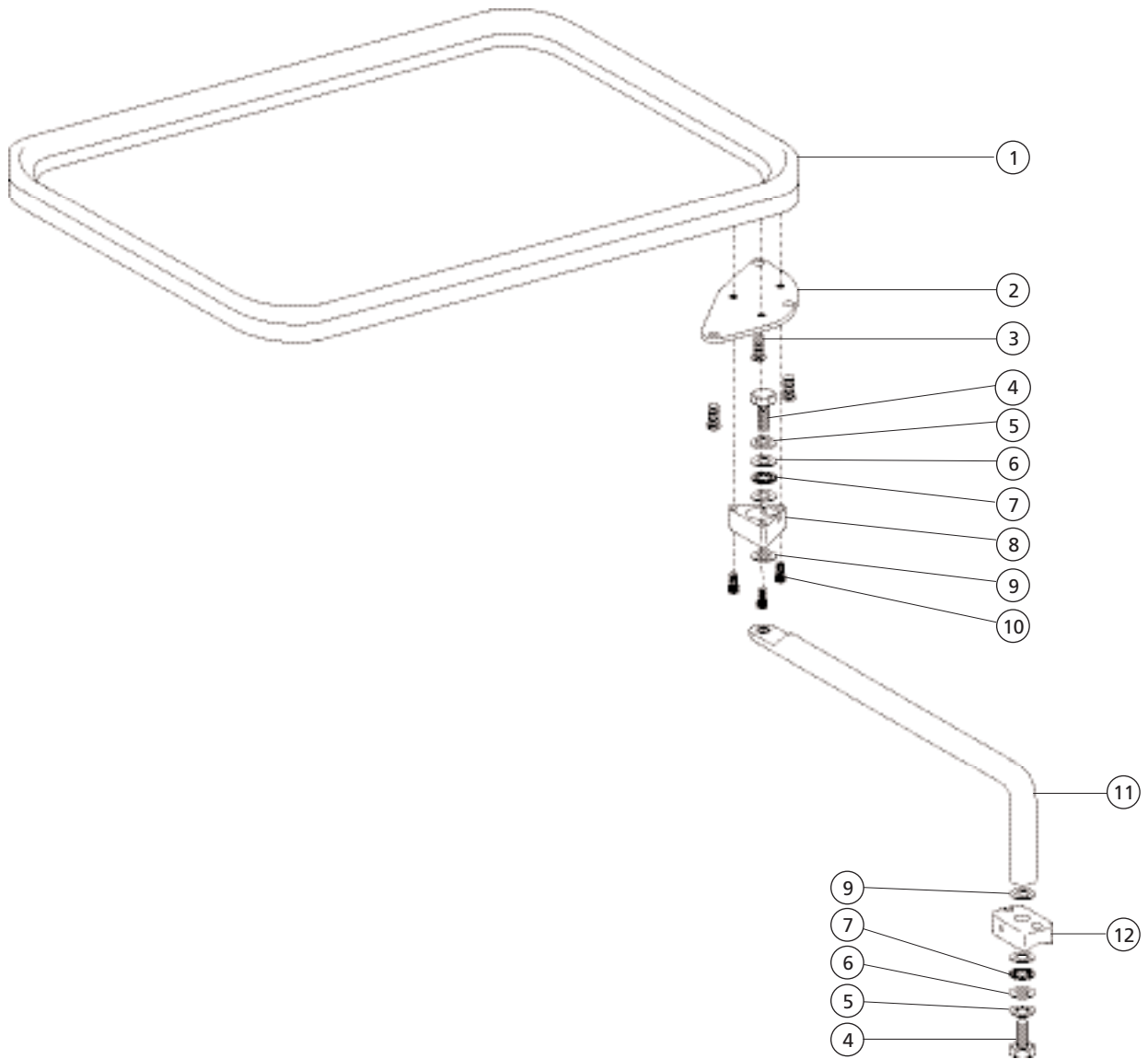


12

REF. NO.	DESCRIPTION	PART NO.
1	Tray Holder, Melamine, Surf 4	75-0017-00
2	Bracket, Tray Holder	39-1038-00
3	Scr, Btn Hd Soc, 10-32 x 3/8, SST	005-012-03
4	Scr, Hex Hd, 3/8-16 x 3/4 GR 5 Z	005-135-00
5	Washer, Spring, SS, .384 ID	004-019-00
6	Washer, Thrust .375 ID	004-172-00
7	Bearing, Thrust .375 ID	016-102-00

REF. NO.	DESCRIPTION	PART NO.
8	Bearing Mount, Tray Holder	39-1036-00
9	Washer Nylatron .380 ID x .02	39-1048-00
10	Screw, Soc Hd, 10-32 x 5/8, SST	001-088-00
11	Mounting Block Tray Holder	39-1066-00
12	Arm, Tray Holder, Continental	39-1113-00
13	Arm, Tray Holder, Continental	39-1037-00

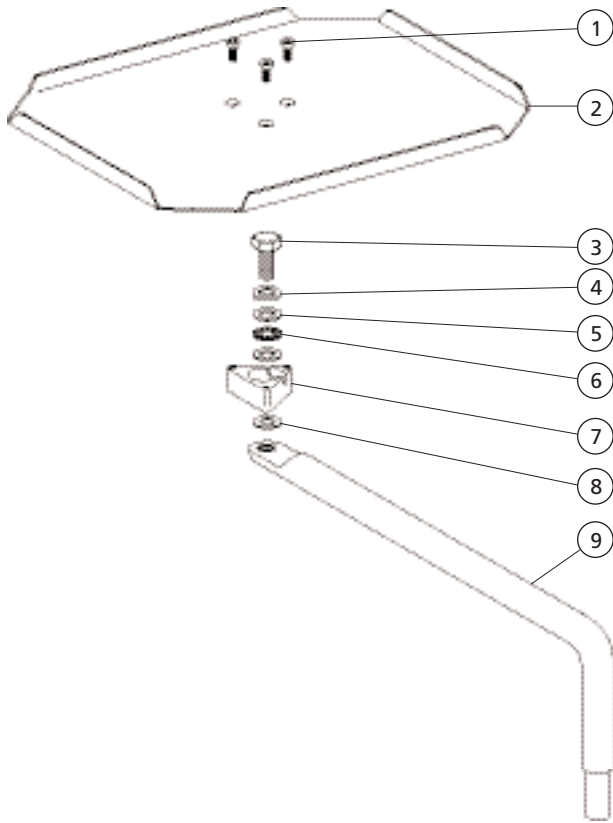
Tray Holder Assembly 17-1051-00



REF. NO.	DESCRIPTION	PART NO.
1	Tray Holder, Melamine, Surf 4	75-0017-00
2	Bracket, Tray Holder	39-1038-00
3	Scr, Btn Hd Soc, 10-32 x 3/8, SST	005-012-03
4	Scr, Hex Hd, 3/8-16 x 3/4 GR 5 Z	005-135-00
5	Washer, Spring, SS, .384 ID	004-019-00
6	Washer, Thrust .375 ID	004-172-00
7	Bearing, Thrust .375 ID	016-102-00

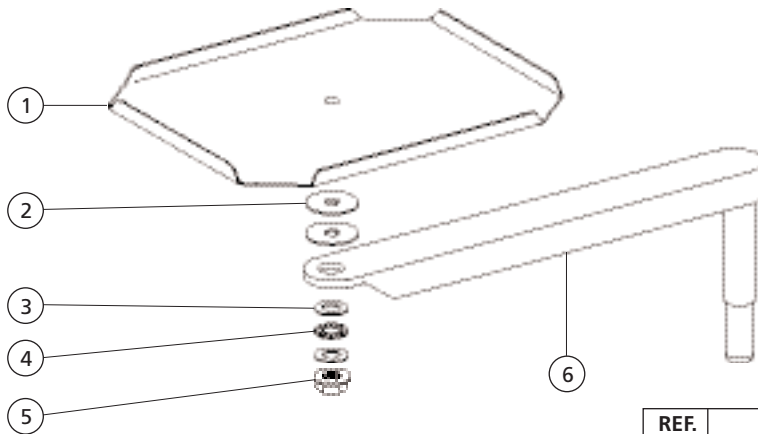
REF. NO.	DESCRIPTION	PART NO.
8	Bearing Mount, Tray Holder	39-1036-00
9	Washer Nylatron .380 ID x .02	39-1048-00
10	Screw, Soc Hd, 10-32 x 5/8, SST	001-088-00
11	Arm, Tray Holder, Std	39-1040-00
12	Mounting Block, Tray Holder	39-1066-00

Cascade Tray Holder Assembly 17-1046-00



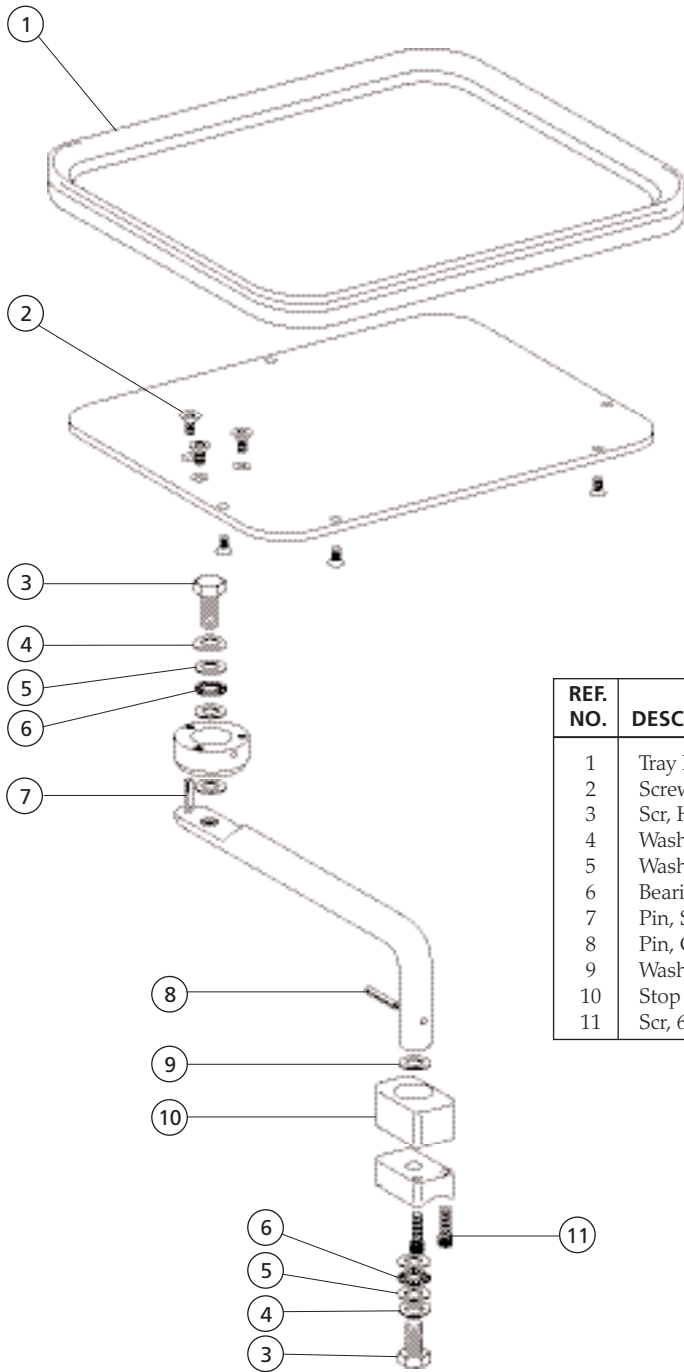
REF. NO.	DESCRIPTION	PART NO.
1	Scr, 6-32 x 3/8, Fl Hd Soc	001-121-01
2	Tray Holder, Cart/Wall Mt	17-1009-00
3	Scr, Hex Hd, 3/8-16 x 3/4 GR 5 Z	005-135-00
4	Washer, Spring, SS, .384 ID	004-019-00
5	Washer, Thrust .375 ID	004-172-00
6	Bearing, Thrust .375 ID	016-102-00
7	Brg Mount, Tray Holder	17-1031-00
8	Washer Nylatron .380 ID x .02	39-1048-00
9	Arm, Tray Holder, Cart/Wall Mt	17-1002-00

3420 PAC 1 Tray Holder and Arm Assembly 45-0445-00



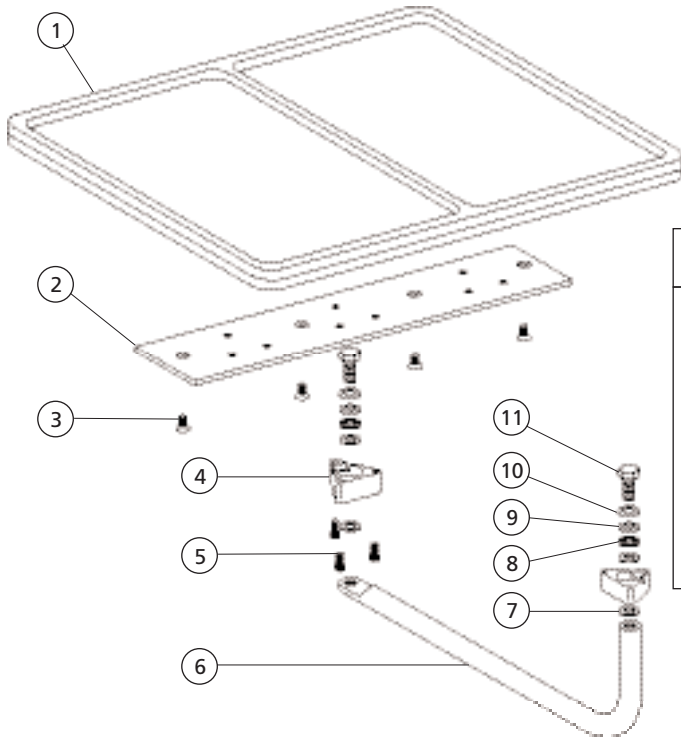
REF. NO.	DESCRIPTION	PART NO.
1	Tray Holder Cart, Surf	17-0016-01
2	Washer, Flat, Nylon, .255 ID	17-0380-00
3	Washer, Thrust .250 ID	016-053-00
4	Bearing, Thrust Needle, .250 ID	016-054-00
5	Nut, Lock, Hex, Flange, 1/4-20	006-089-00
6	Pivot Arm Assy, Tray Mount	17-0037-01

Cascade Tray Holder Assembly with Stops 17-0758-00



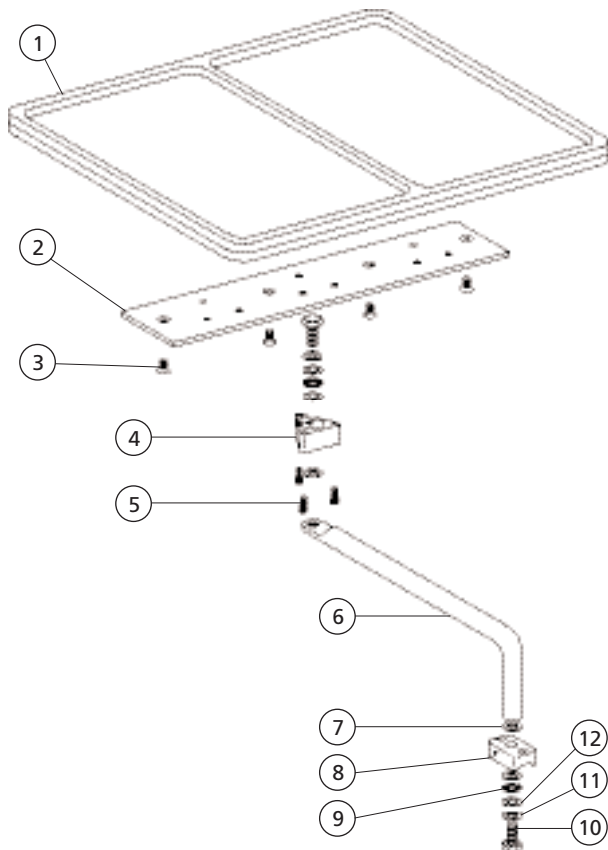
REF. NO.	DESCRIPTION	PART NO.
1	Tray Holder, Melamine, Surf 4	75-0017-00
2	Screw, Fl Hd Soc 10-32 x 3/8, SST	001-122-01
3	Scr, Hex Hd, 3/8-16 x 3/4 GR 5 Z	005-135-00
4	Washer, Spring, SS, .384 ID	004-019-00
5	Washer, Thrust .375 ID	004-172-00
6	Bearing, Thrust .375 ID	016-102-00
7	Pin, Spring, .125 Dia x 1.00	011-043-00
8	Pin, Groove, .125 Dia x .625	011-034-00
9	Washer, Nylatron .380 ID x .02	39-1048-00
10	Stop Block	17-0759-00
11	Scr, 6-32 x 5/8, Soc Hd	001-010-00

Twin Tray Holder 47-1246-00 Continental, International



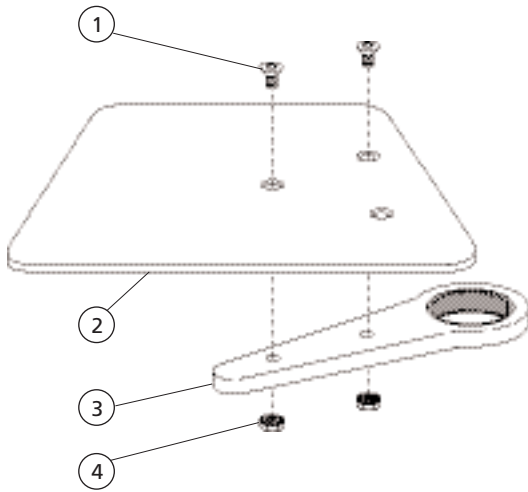
REF. NO.	DESCRIPTION	PART NO.
1	Tray Hldr, Pl, Twin, Surf 4	39-0107-03
2	Bracket, Twin Tray Hldr, Intl	47-1248-00
3	Screw, Fl Hd Soc 10-32 x 3/8, SST	001-122-01
4	Brg Mount, Tray Holder	39-1036-00
5	Scr, 10-32 x 3/4 Soc Hd	002-073-00
6	Arm, Twin Tray Hldr, Cont, Intl	47-1387-00
7	Washer, Nylatron .380 ID x .02	39-1048-00
8	Bearing, Thrust .375 ID	016-102-00
9	Washer, Thrust .375 ID	004-172-00
10	Washer, Spring, SS, .384 ID	004-019-00
11	Scr, Hex Hd, 3/8-16 x 3/4 Gr 5 Z	005-135-00

Twin Tray Holder 47-1371-00 Traditional



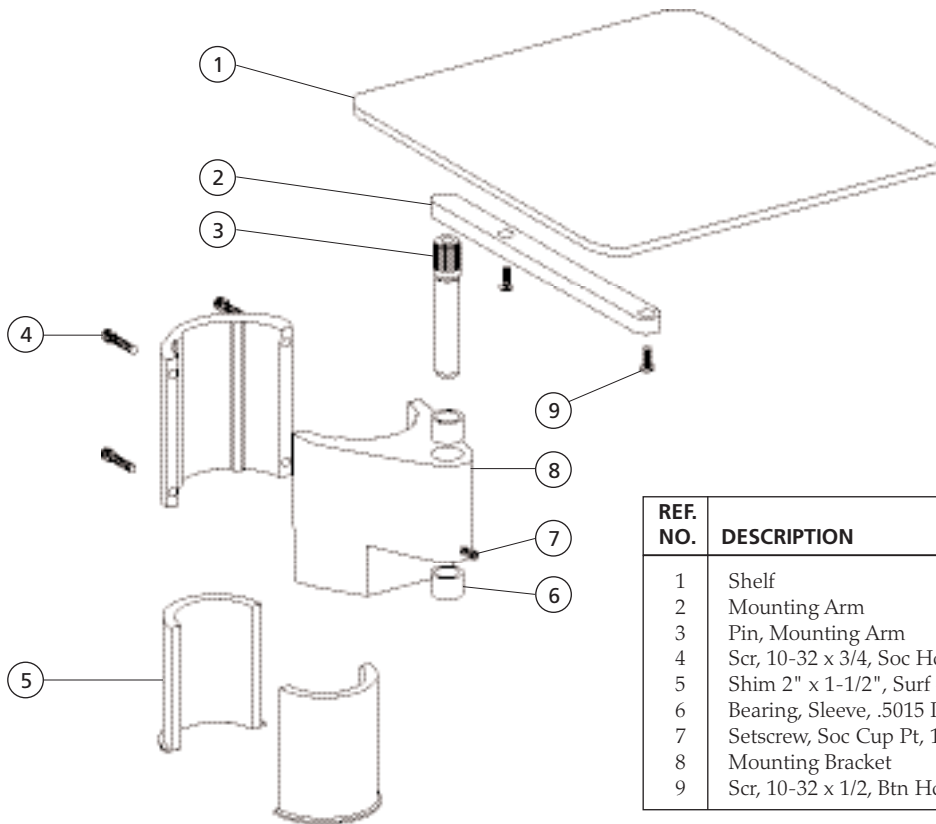
REF. NO.	DESCRIPTION	PART NO.
1	Tray Hldr, Pl, Twin, Surf 4	39-0107-03
2	Bracket, Twin Tray Hldr, Intl	47-1248-00
3	Screw, Fl Hd Soc 10-32 x 3/8, SST	001-122-01
4	Brg Mount, Tray Holder	39-1036-00
5	Scr, 10-32 x 3/4 Soc Hd	001-088-00
6	Arm, Twin Tray Hldr, Cont, Intl	47-1266-00
7	Washer, Nylatron .380 ID x .02	39-1048-00
8	Mounting Block Tray Holder	39-1066-00
9	Bearing, Thrust .375 ID	016-102-00
10	Scr, Hex Hd, 3/8-16 x 3/4 Gr 5 Z	005-135-00
11	Washer, Spring, SS, .384 ID	004-019-00
12	Washer, Thrust .375 ID	004-172-00

Post Box Tray Assembly



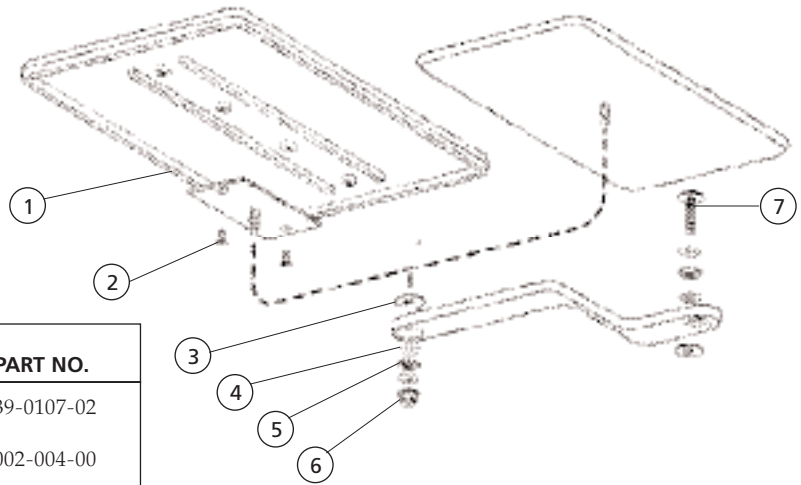
REF. NO.	DESCRIPTION	PART NO.
1	Scr, 10-32 x 5/8, Fl Hd Soc	001-204-00
2	Baseplate	F84-1137
3	Mtg. Arm, Asst/Tray	F84-1138
4	Nut, Hex, Keps, 10-32 x 3/8 x 5/32	006-016-00

Radius Post Shelf Assembly



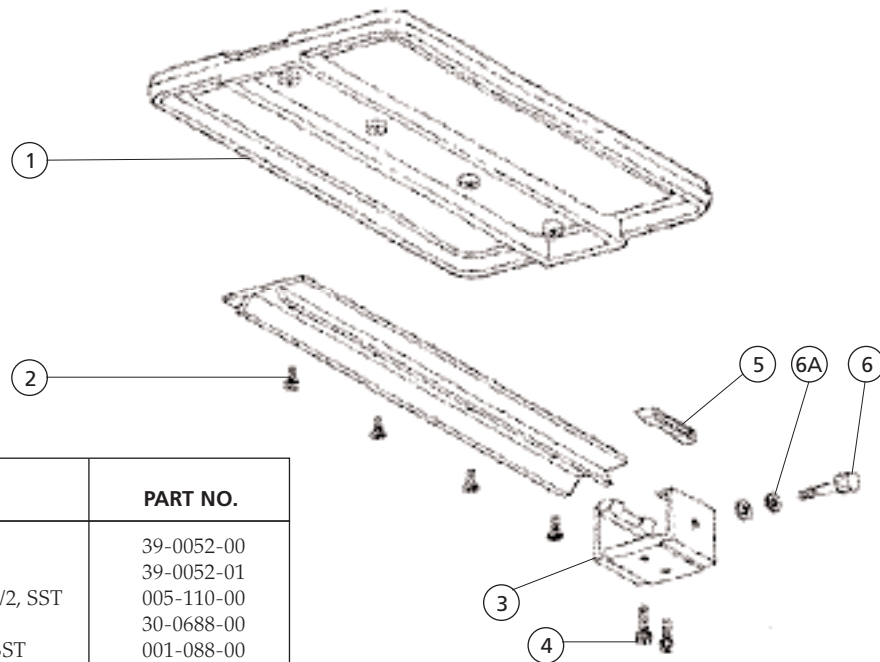
REF. NO.	DESCRIPTION	PART NO.
1	Shelf	F84-1126
2	Mounting Arm	F84-1128
3	Pin, Mounting Arm	F84-1129
4	Scr, 10-32 x 3/4, Soc Hd	002-073-00
5	Shim 2" x 1-1/2", Surf 4	C91-209
6	Bearing, Sleeve, .5015 ID	016-006-00
7	Setscrew, Soc Cup Pt, 10-32 x 5/16	007-004-00
8	Mounting Bracket	F84-1130
9	Scr, 10-32 x 1/2, Btn Hd Soc	005-110-00

Tray Holder and Arm Assembly, Mini-Trol Twin 39-0630-XX Obsolete and Standard 39-0607-XX Obsolete



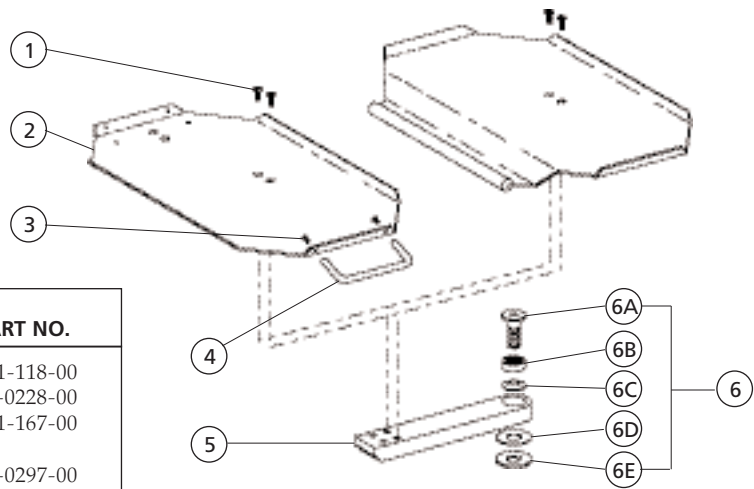
REF. NO.	DESCRIPTION	PART NO.
1	Tray Holder Plate, Twin, Surf (Used on 39-0630-00, 39-0630-01)	39-0107-02
2	Screw, Fl Hd Undct, Phil, 10-32 x 3/8 (Used on 39-0630-00, 39-0630-01)	002-004-00
3	Washer, Flat, Nylon, .255 ID	17-0380-00
4	Washer, Thrust, .250 ID	016-053-00
5	Bearing, Thrust Needle, .250 ID	016-054-00
6	Nut, Lock, Hex, Flange, 1/4 -20	006-089-00
7	Bolt, 1/4-20 x 23mm, Ptd Chin/Gray	005-114-00

Century II Tray Holder and Assembly 39-0114-00 Obsolete



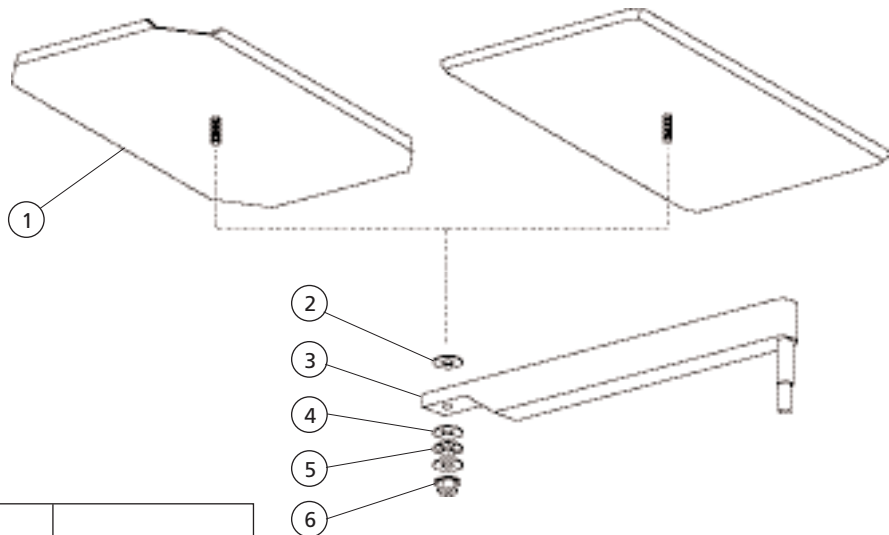
REF. NO.	DESCRIPTION	PART NO.
1	Tray Holder, Chmpgn	39-0052-00
-	Tray Holder, Surf	39-0052-01
2	Screw, Btn Hd Soc, 10-32 x 1/2, SST	005-110-00
3	Clamp, Tray Holder	30-0688-00
4	Screw, Soc Hd, 10-32 x 5/8 SST	001-088-00
5	Shoe, Clamp	30-0689-00
6	Knob Assy, Thumbscrew, 10-32 x 2	027-032-00
6A	Washer, Flat, Nylon, .187 ID	004-005-02

Tray Holder Assembly 40-0563-00 and 40-0565-00 Obsolete



REF. NO.	DESCRIPTION	PART NO.
1	Scr, Fl Hd Phil., 6-32 x 3/8, Zinc	001-118-00
2	Tray Holder (Used on 40-0563-00)	39-0228-00
3	Scr, Btn Hd Soc, 6-32 x 3/8, Black (Used on 40-0563-00)	001-167-00
4	Handle, U-Shape, 6-32 (Used on 40-0563-00)	39-0297-00
5	Mounting Arm, 9-1/2" Long	40-0564-00
6	Service Kit, Bearing	90-0227-00
6A	Scr, Special, 1/2-20 x 1.25, Chrome	35-0089-00
6B	Bearing, Unground, Thrust	016-005-00
6C	Washer, Spring, Stl, .50 ID	004-022-00
6D	Washer, Flat, Delrin, 33/64 ID	35-0017-00
6E	Washer, Flat, Nylatron, .525 ID	004-034-00

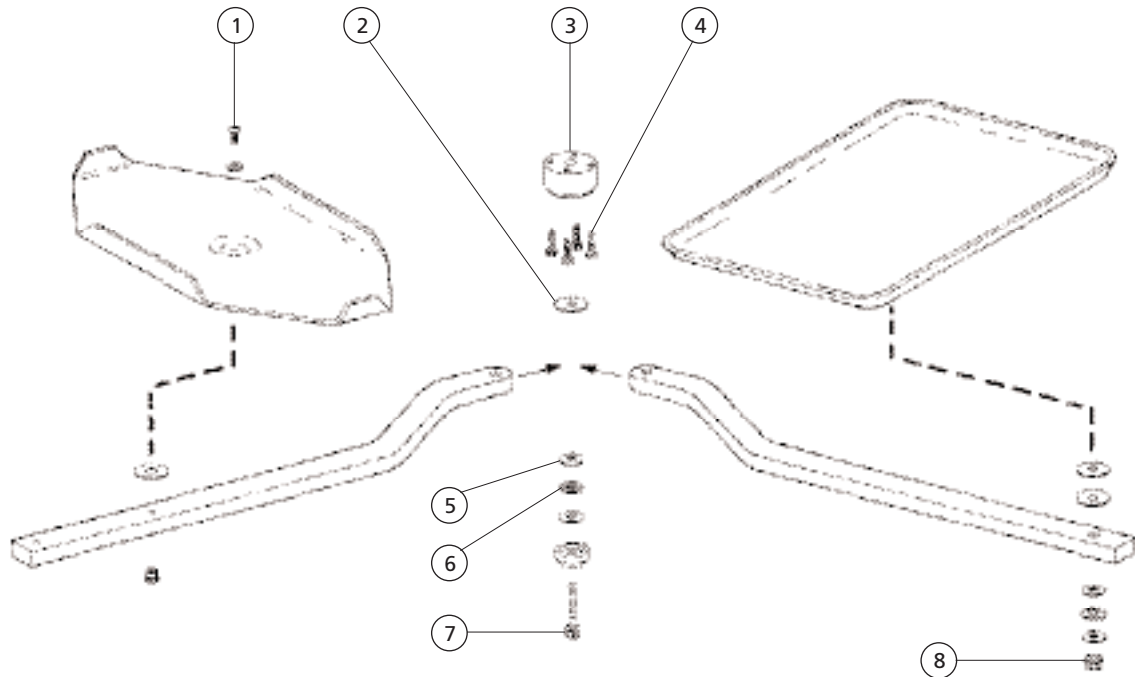
Tray Holder and Arm Assembly for Cart 17-0033-XX Obsolete



REF. NO.	DESCRIPTION	PART NO.
1	Tray Holder Cart, Surf	17-0016-01
2	Washer, Flat, Nylon, .255 ID	17-0380-00
3	Pivot Arm Assy, Tray Mount, Surf	17-0037-01
4	Washer, Thrust .250 ID	016-053-00
5	Bearing, Thrust Needle, .250 ID	016-054-00
6	Nut, Lock, Hex, Flange, 1/4-20	006-089-00

Continental II Tray Holder Assembly European-Size Tray

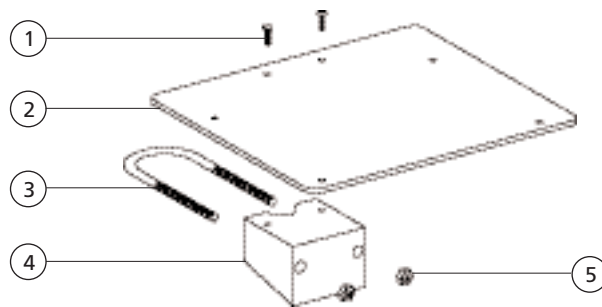
Standard Tray



REF. NO.	DESCRIPTION	PART NO.
1	Screw, Btn Hd Soc, 10-32 x 1/2 SST	005-110-00
2	Washer, Flat, Nylon, .255 ID	17-0380-00
3	Block, Tray, Cont II, Surf	35-1022-02
4	Screw, Soc Hd, 6-32 x 3/8 SST	001-033-00
5	Washer, Thrust, .250 ID	016-053-00

REF. NO.	DESCRIPTION	PART NO.
6	Bearing, Thrust Needle, .252 ID	016-054-00
7	Screw, Soc Hd, Gr 8, 1/4-20 x 1-1/2 Nickel Plate	002-082-02
8	Nut, Lock, Hex, Flange, 1/4-20	006-089-00

Post Mount Utility Shelf 40-0253-02



REF. NO.	DESCRIPTION	PART NO.
1	Screw, Tr Hd Phil, 10-32 x 3/4 Zinc	001-064-00
2	Plate, Shelf, Surf 4	40-0289-00 40-1033-01
3	U-Bolt, 5/16-18 x 4 3/4, Stl, Zinc	025-046-00

REF. NO.	DESCRIPTION	PART NO.
4	Mount, Post	40-0288-00
-	Block, Mount, Post, Surf 4	40-1032-01
5	Washer, Lock, Stl Pl, Int Tooth #10	004-040-00