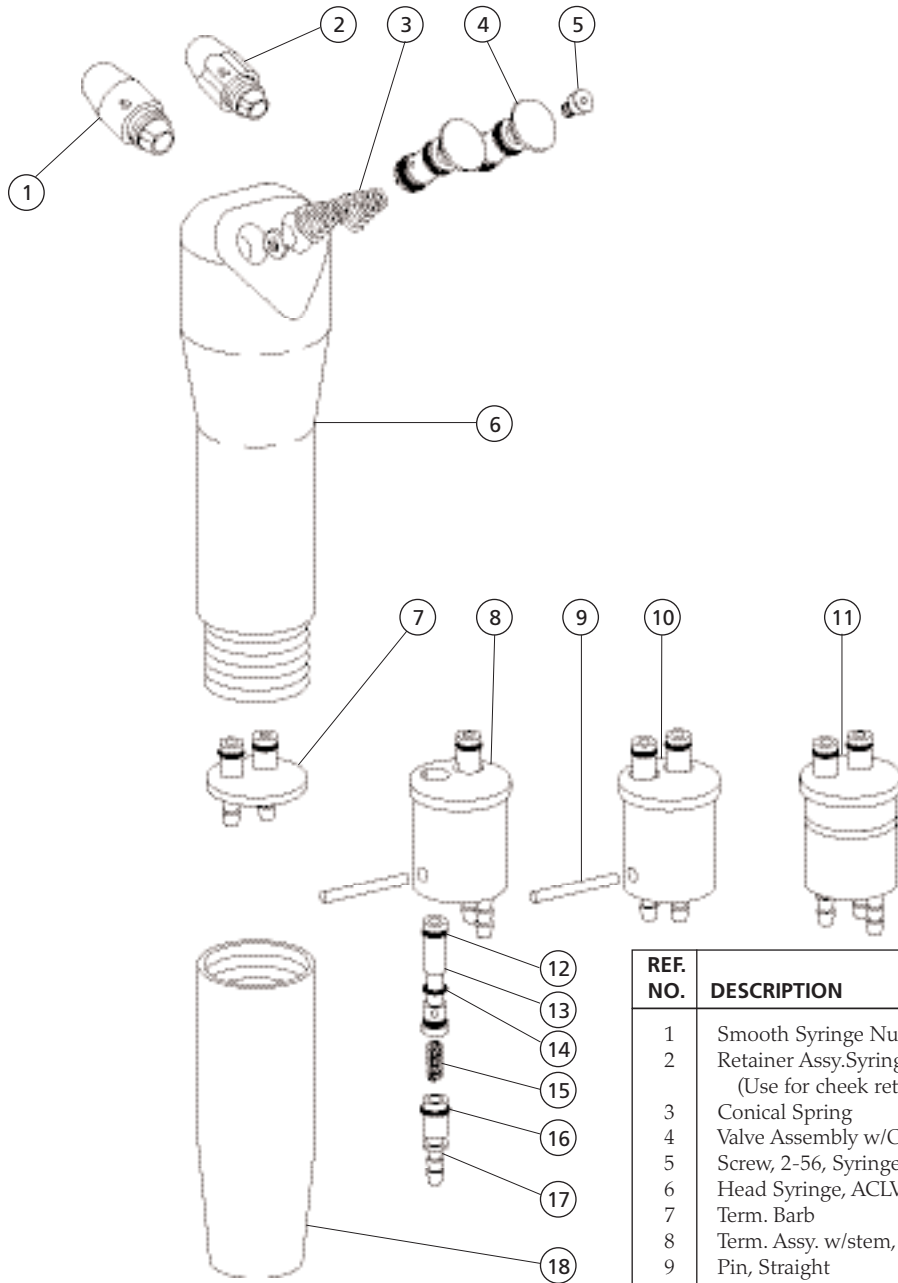


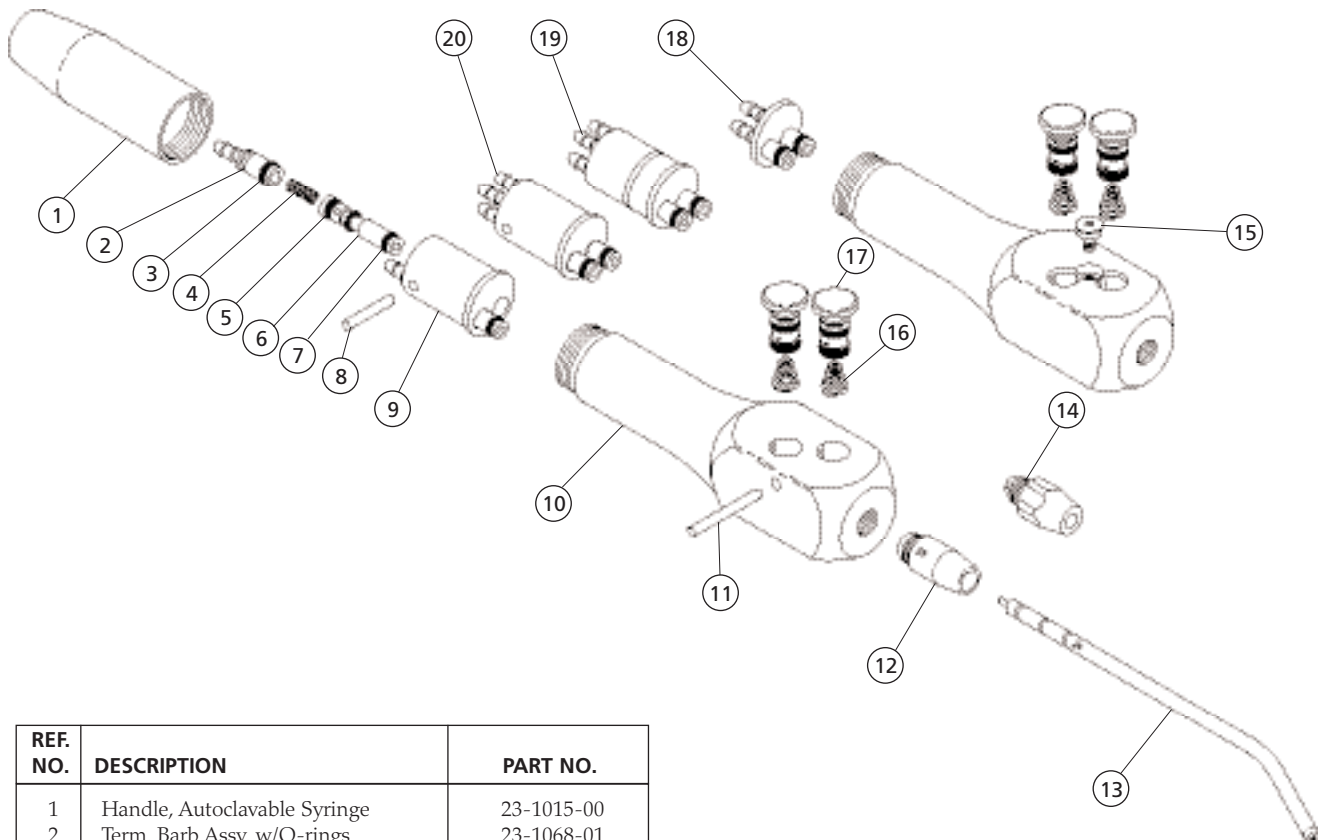
Syringes

Traditional Autoclavable Syringe



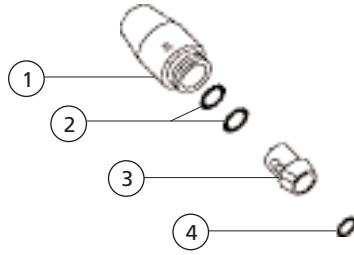
REF. NO.	DESCRIPTION	PART NO.
1	Smooth Syringe Nut Assembly	23-1112-00
2	Retainer Assy.Syringe Tip (Use for cheek retraction)	23-1090-00
3	Conical Spring	013-064-01
4	Valve Assembly w/O-rings	23-1232-01
5	Screw, 2-56, Syringe	23-1193-01
6	Head Syringe, ACLV	23-1190-00
7	Term. Barb	23-1110-00
8	Term. Assy. w/stem, 3 Barb, QD	23-1066-00
9	Pin, Straight	011-038-01
10	Term. Assy. w/Stem, 2 Barb, QD	23-1067-00
11	Term., Solder Assy., 3 Barb, Non QD	23-1185-00
12	O-ring, A2568-002, .042 ID x .050W	030-002-02
13	Stem. Assy. w/O-Rings	23-1064-01
14	O-ring, Spcl, .070 ID x .040W	035-025-01
15	Spring	013-003-01
16	O-ring, Special .110 ID x .040 W	035-028-01
17	Term. Barb Assy. w/O-rings	23-1068-01
18	Handle, Autoclavable Syringe	23-1015-00
*	Syringe Tip, Autoclavable	23-0872-01
*	Service Kit, ACLV/PCL, w/o Tools (includes 1, 3, 4, 5, 9, 12, 13, 14, 15, 17 and a syringe tip)	23-1235-01

Continental Autoclavable Syringe



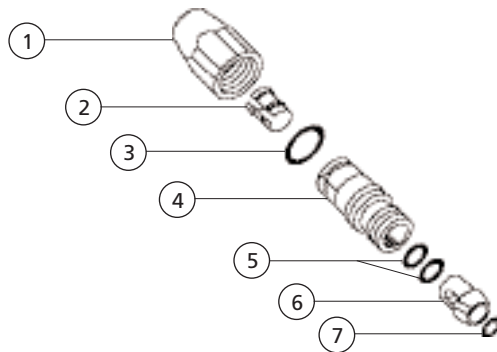
REF. NO.	DESCRIPTION	PART NO.
1	Handle, Autoclavable Syringe	23-1015-00
2	Term. Barb Assy. w/O-rings	23-1068-01
3	O-ring, Special .110 ID x .040 W	035-028-01
4	Spr, Comp, .088 OD x .250	013-003-01
5	O-ring, Spcl, .070 ID x .040W	035-025-01
6	Stem. Assy. w/O-rings	23-1064-01
7	O-ring, A2568-002, .042 ID x .050W	030-002-02
8	Pin, Straight	011-038-01
9	Term. Assy. w/Stem, 2 Barb, QD	23-1067-00
10	Syringe Head	23-1096-00
11	Pin, Bent, .062 Dia x .74 Lg.	011-029-01
12	Smooth Syringe Nut Assembly	23-1112-00
13	Syringe Tip, Autoclavable	23-0872-01
14	Retainer Assy.Syringe Tip (Use for cheek retraction)	23-1090-00
15	Screw, 2-56, Syringe	23-1193-01
16	Conical Spring	013-064-01
17	Valve Assembly w/O-rings	23-1232-01
18	Term. Barb	23-1110-00
19	Term., Solder Assy., 3 Barb, Non QD	23-1185-00
20	Term. Assy. w/stem, 3 Barb, QD	23-1066-00
*	Kit, Valve Assy, Pencil, Soft, Aclv (includes 15, 16, 17)	23-1234-00

Smooth Syringe Nut Assembly 23-1112-00



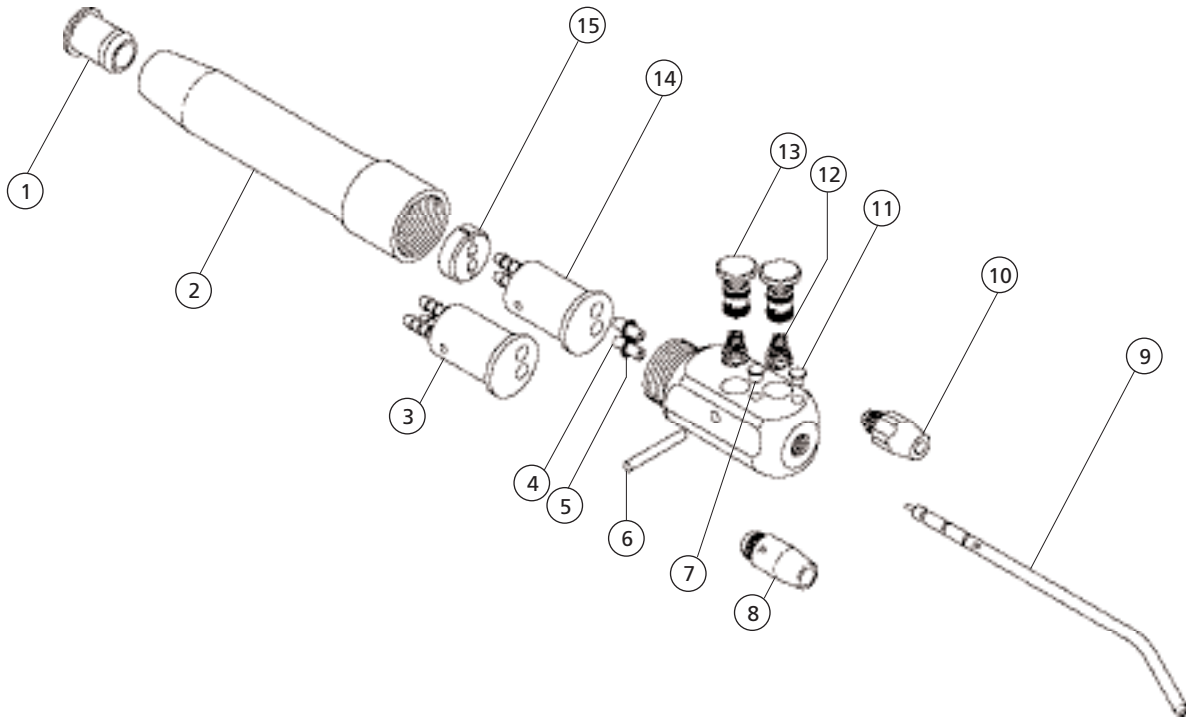
REF. NO.	DESCRIPTION	PART NO.
1	Smooth Syringe Nut	23-1111-01
2	O-ring, EP-AS568-006 .114 ID x .070 W	035-048-01
3	Spacer, Syringe Nut	23-1101-00
4	O-ring, EP-AS568-003 .056 ID x .060 W	034-003-01

Syringe Tip Retainer Assembly 23-1090-00



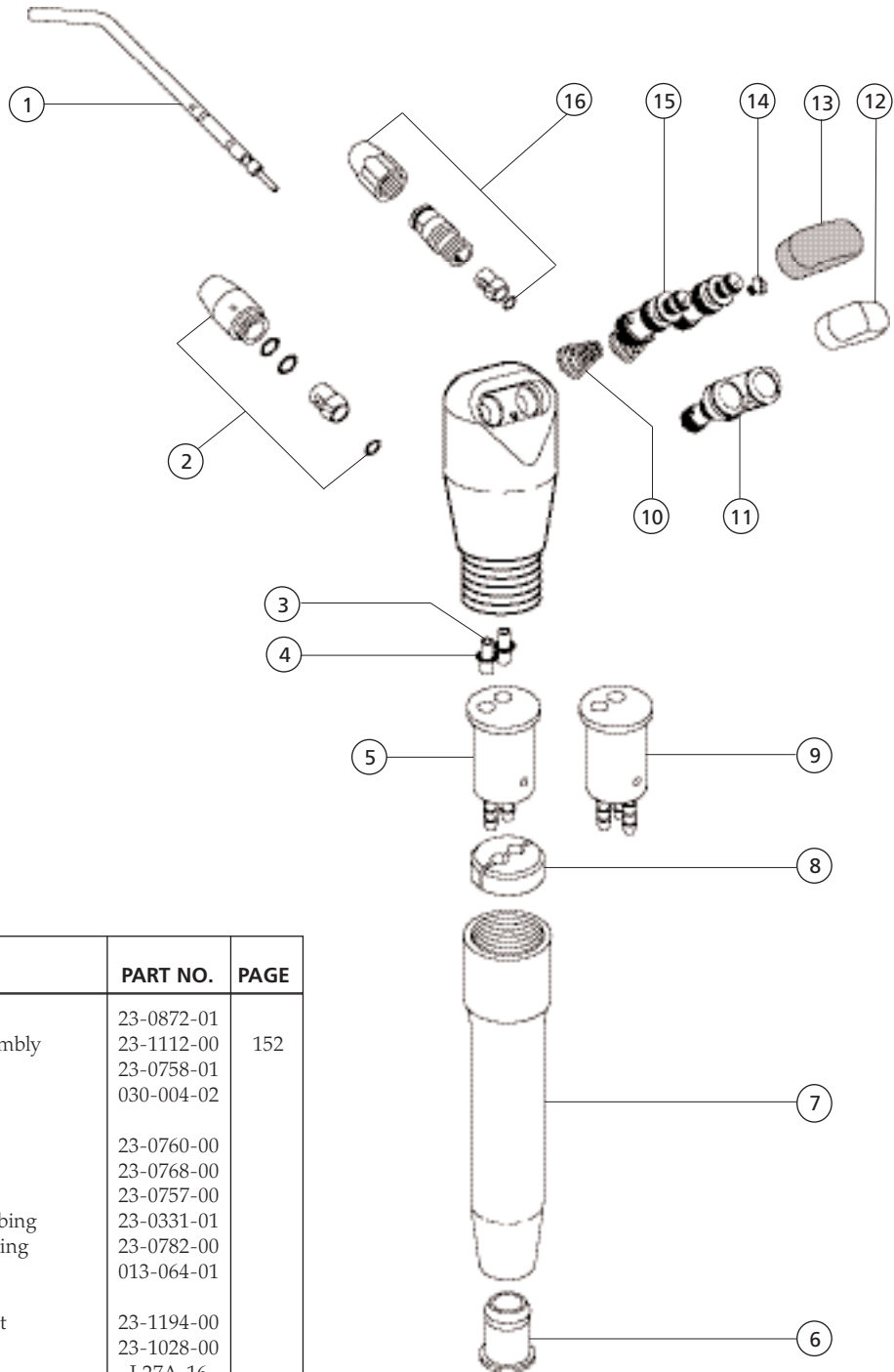
REF. NO.	DESCRIPTION	PART NO.
1	Syringe Nut	23-1103-00
2	Collet	23-1102-00
3	O-ring, V, .176 ID x .040W	035-030-01
4	Adapter	23-1104-00
5	O-ring, EP AS568-006 .114 ID x .070 W	035-048-01
6	Spacer	23-1101-00
7	O-ring, EP AS568-003 .056 ID x .060 W	034-003-01

Continental Pencil Syringe



REF. NO.	DESCRIPTION	PART NO.
1	Bushing, Handle, Syringe	23-0768-00
2	Handle, Syringe	23-0757-00
3	Terminal, Syringe, Circulating	23-0782-00
4	Connector Tube w/O-rings	23-0758-01
5	O-ring, AS568-004, .070 ID x .070 W	030-004-02
6	Pin, Dowel, .0626 Dia x .740 Lg, SST	011-029-01
7	Indicator, Plastic, Yellow	40-0689-00
8	Smooth Syringe Nut Assembly	23-1112-00
9	Syringe Tip	23-0872-01
10	Retainer Assy, Syringe Tip (Use for cheek retraction)	23-1090-00
11	Indicator, Plastic, Blue	40-0691-00
12	Spring, Conical, Comp. .127/.247 OD	013-038-01
13	Valve Assembly w/O-rings	23-1232-01
14	Terminal, Syringe Non-Circulating	23-0760-00
15	Collet, Syringe, 1/8 OD Tubing	23-0331-01

EZ Clean Syringe



REF. NO.	DESCRIPTION	PART NO.	PAGE
1	Syringe Tip	23-0872-01	152
2	Smooth Syringe Nut Assembly	23-1112-00	
3	Connector Tube w/O-ring	23-0758-01	
4	O-ring, AS568-004, .070 ID x .070 W	030-004-02	
5	Terminal, Syringe	23-0760-00	
6	Bushing, Syringe Handle	23-0768-00	
7	Syringe Handle	23-0757-00	
8	Collet, Syringe, 1/8 OD Tubing	23-0331-01	
9	Terminal, Syringe, Circulating	23-0782-00	
10	Spring, Conical .017 D x .127/.247 OD	013-064-01	
11	Two Button Conversion Kit	23-1194-00	
12	Button, Autoclavable	23-1028-00	
13	Hard Plastic Button	L27A-16	
14	Screw, Slotted, SST	001-002-01	
15	Valve Assembly w/O-rings	23-1021-01	
16	Retainer Assy, Syringe Nut (Use for cheek retraction)	23-1090-00	
*	Autoclavable Valve Assembly Kit (includes 10, 12, 15)	23-1094-00	