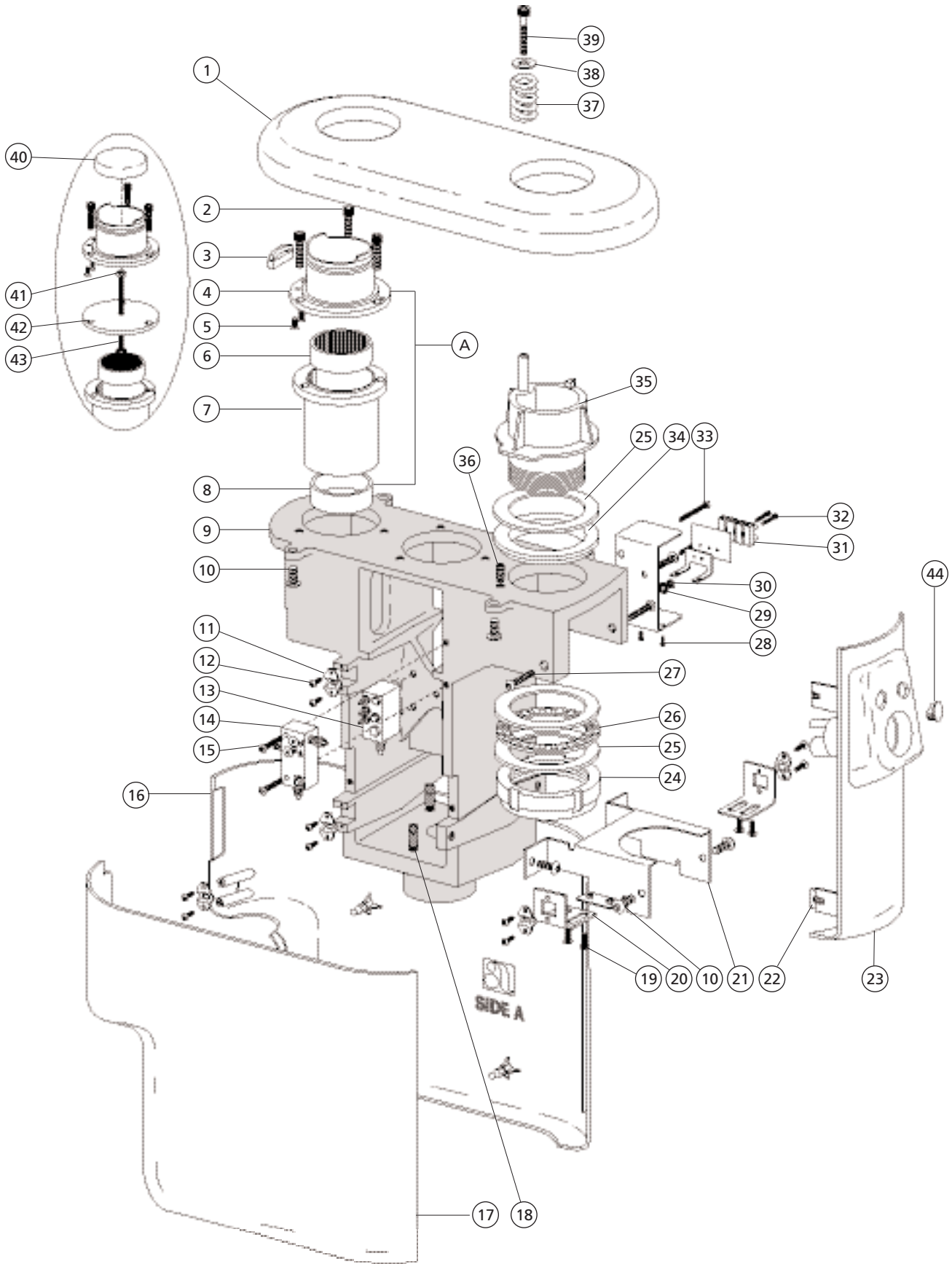


# Post Boxes

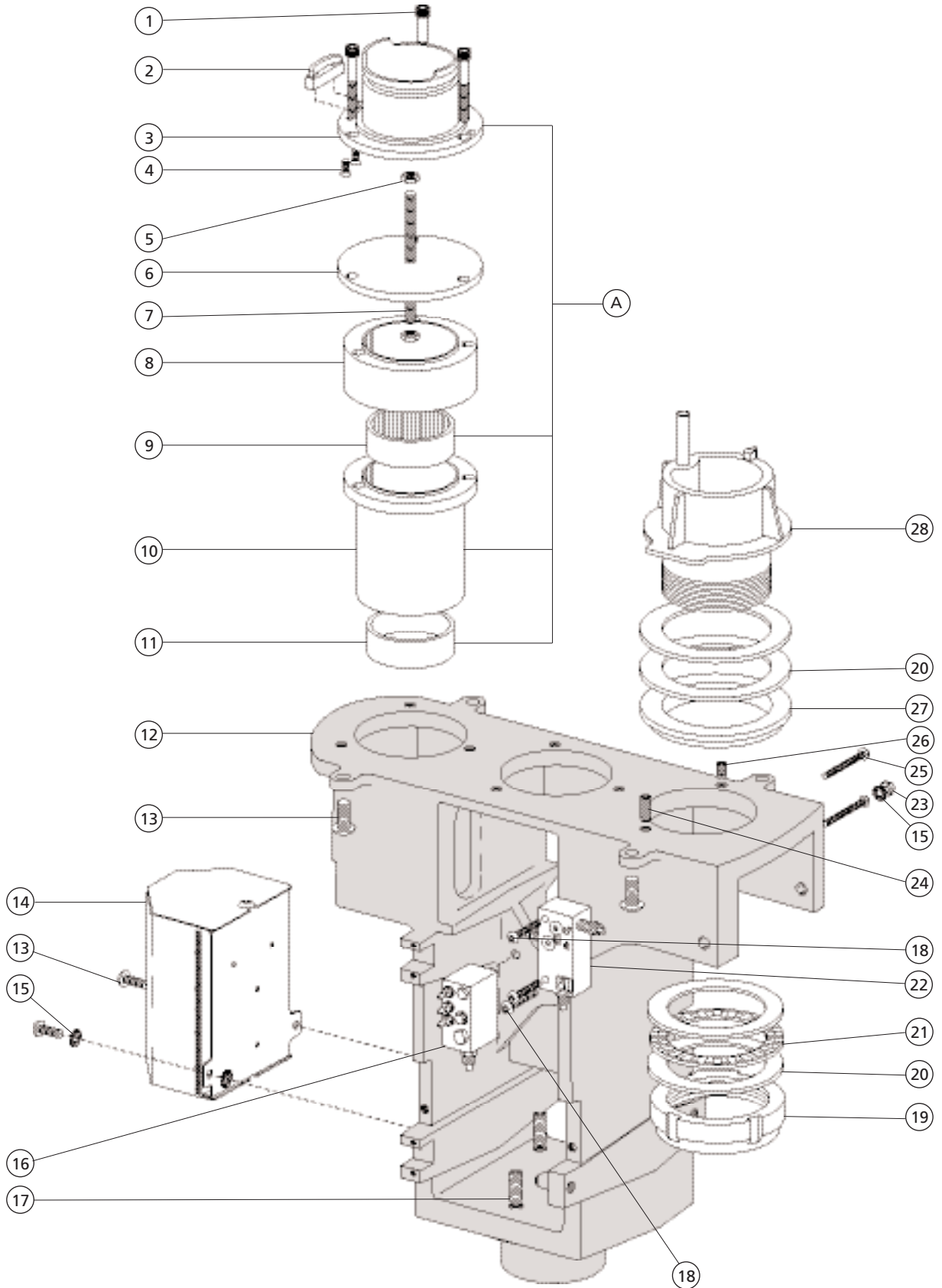
# Cascade Post Box



## Cascade Post Box

REF. NO.	DESCRIPTION	PART NO.	PAGE
1	Top, Cover	75-0068-00	
2	Screw, Soc Hd, 1/4-20 x 1, Zinc	001-009-00	
3	Stop, Asst, Arm	75-0127-00	
4	Mounting Hub, Asst. Arm	75-0126-00	
5	Screw, Fl Hd Soc 10-32 x 3/8 SST	001-122-01	
6	Brg, Roller, 1.75 ID x 2.125 OD	016-101-00	
7	Bearing Carrier	75-0125-00	
8	Bearing, Sleeve 1.75 ID	016-100-00	
A	Brg Hub Assembly (includes 4, 6, 7, 8)	75-0121-00	
9	Frame Post Box Master	75-0139-00	
10	Screw, Btn Hd Soc, 10-32 x 3/8, SST	005-012-03	
11	Ball Stud Spring	042-221-00	
12	Screw, Btn Hd Soc, 4-40 x 3/16 SS	002-118-00	
13	Manifold Assy, Air w/o QDs	75-0138-00	
14	Manifold Assy, Water, OTC	75-0113-00	76
15	Screw, 10-32 x 1, Btn Hd Soc	005-124-00	
16	Side Cover, A	75-0069-00	
17	Side Cover, B	75-0070-00	
18	Setscrew, 3/8-16 x 1.00, Flat Pt	007-059-00	
19	Screw, 6-32 x 3/8, Pan Hd Phil	002-015-00	
20	Bracket, Side, Front	75-0110-00	
21	Bracket, Umbilical	75-0102-00	
22	Nut Plate, 10-32	75-0117-00	
23	Vacuum Housing, with Vacuum	75-0071-00	
-	Housing w/o Vacuum	75-0072-00	
-	Vacuum Housing, Int'l	47-1938-00	
-	Housing Assy (includes 22)	12-0165-00	
-	Vacuum Hsg Assy, w/o Vacuum	12-0163-00	
24	Nut, Lock, 1-31/32-18, PLT	61-0954-00	
25	Bearing, Thrust, Race 2.0 ID, PLN	016-108-00	
26	Bearing, Thrust, Needle 2.000 ID	016-044-00	
27	Scr, Btn Hd Soc, 10-32 x 7/8, SST	005-010-01	
28	Scr, 4-40 x 5/16, Btn Hd Soc, Spcl	002-097-00	
29	Lockwasher, Ext Tooth, #10	004-076-00	
30	Nut, Hex, 10-32 x 3/8 x 1/8 Stl	006-002-00	
31	Term, Strp, 30A, 250V, 12-26, 4 Pos	041-631-00	
32	Screw, Soc Hd, 4-40 x 1/2 SST	001-021-00	
33	Scr, 10-32 x 1/2, Btn Hd Soc	005-110-00	
34	Bushing, Cuspidor Pivot	12-0911-00	
35	Pivot Hub, Cuspidor Arm	12-0931-00	
36	Setscrew, 1/4-20 x 3/4, Soc Cup Pt	007-023-00	
37	Spring, Comp, .75 OD x 1.00 Fl	013-061-00	
38	Washer, Flat 1/4 SST	004-153-00	
39	Screw, 1/4-20 x 1 1/2, Soc Hd	002-082-02	
40	Trim Ring, Solid	75-0089-00	
41	Nut, Hex, 10-32 x 3/8 x 1/8 Stl	006-002-00	
42	Spacer, Bearing Hub	75-0128-00	
43	Rod, Trim Ring Mount, Intl	75-0129-01	
44	Plug, Hole .625 x .55, Surf 4	018-086-00	

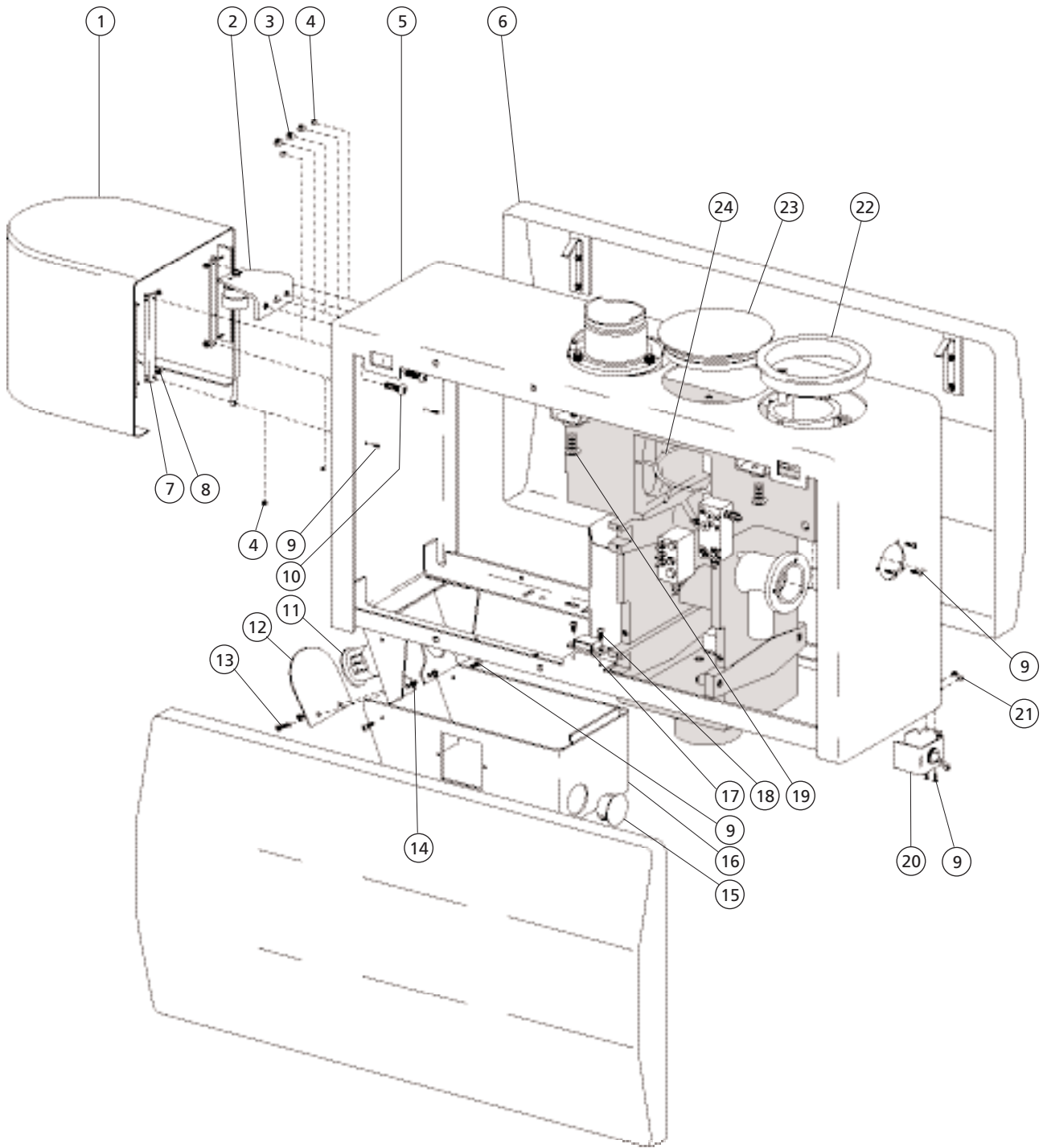
# International Post Box Inside



## International Post Box Inside

REF. NO.	DESCRIPTION	PART NO.	PAGE
1	Screw, Soc Hd, 1/4-20 x 2, Zinc	002-147-00	
2	Stop, Asst, Arm	75-0127-00	
3	Mounting Hub, Asst. Arm	75-0126-00	
4	Screw, Fl Hd Soc 10-32 x 3/8 SST	001-122-01	
5	Nut, Hex, 10-32 x 3/8 x 1/8 Stl	006-002-00	
6	Spacer, Bearing Hub	75-0128-00	
7	Rod, Trim Ring Mount, Intl	75-0129-01	
8	Spacer, Asst Arm, Intl	47-1233-00	
9	Brg, Roller, 1.75 ID x 2.125 OD	016-101-00	
10	Bearing Carrier	75-0125-00	
11	Bearing, Sleeve 1.75 ID	016-100-00	
A	Brg Hub Assembly (includes 3, 9, 10 and 11)	75-0121-00	
12	Frame Post Box Master	75-0139-00	
13	Screw, Btn Hd Soc, 10-32 x 3/8, SST	005-012-03	
14	Elec. Assy, Post Box, Intl	47-1234-00	
15	Lockwasher, Ext Tooth, #10	004-076-00	
16	Manifold Assy, Air w/o QD's	75-0138-00	
17	Setscrew, 3/8-16 x 1.00, Flat Pt	007-059-00	
18	Screw, 10-32 x 1, Btn Hd Soc	005-124-00	
19	Nut, Lock, 1-31/32-18, PLT	61-0954-00	
20	Bearing, Thrust, Race 2.0 ID, PLN	016-108-00	
21	Bearing, Thrust, Needle 2.000 ID	016-044-00	
22	Manifold Assy, Water, OTC	75-0113-00	76
23	Nut, Hex, 10-32 x 3/8 x 1/8 Stl	006-002-00	
24	Setscrew, 1/4-20 x 3/4, Soc Cup Pt	007-023-00	
25	Scr, 10-32 x 1/2, Btn Hd Soc	005-110-00	
26	Setscrew, 1/4-20 x 1/4, Soc Cup Pt	007-017-00	
27	Bushing, Cuspidor Pivot	12-0911-00	
28	Pivot Hub, Cuspidor Arm	12-0931-01	

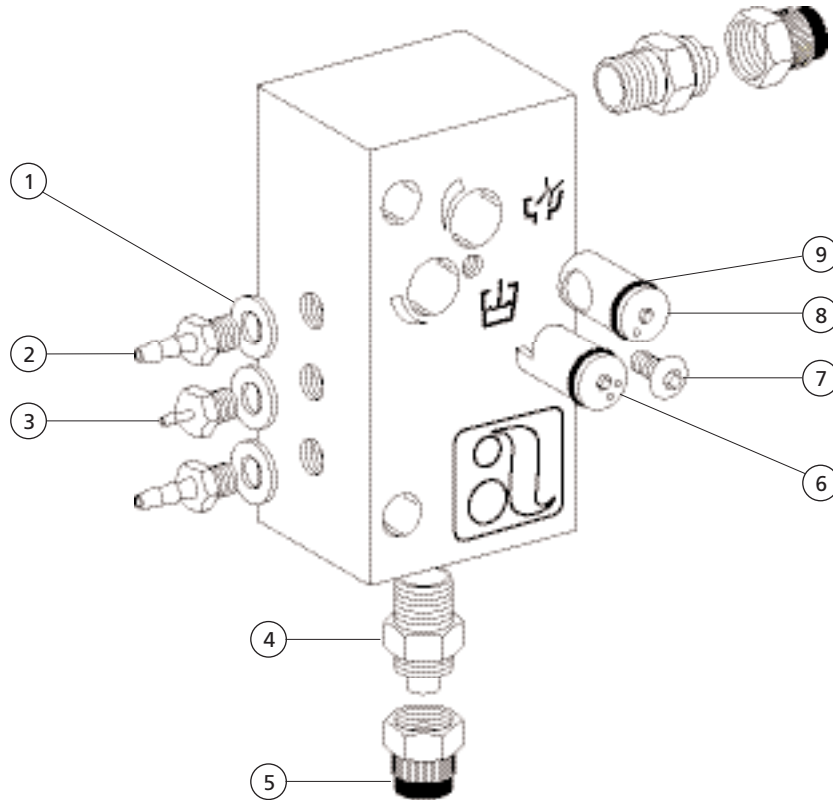
# International Post Box Outside



## International Post Box Outside

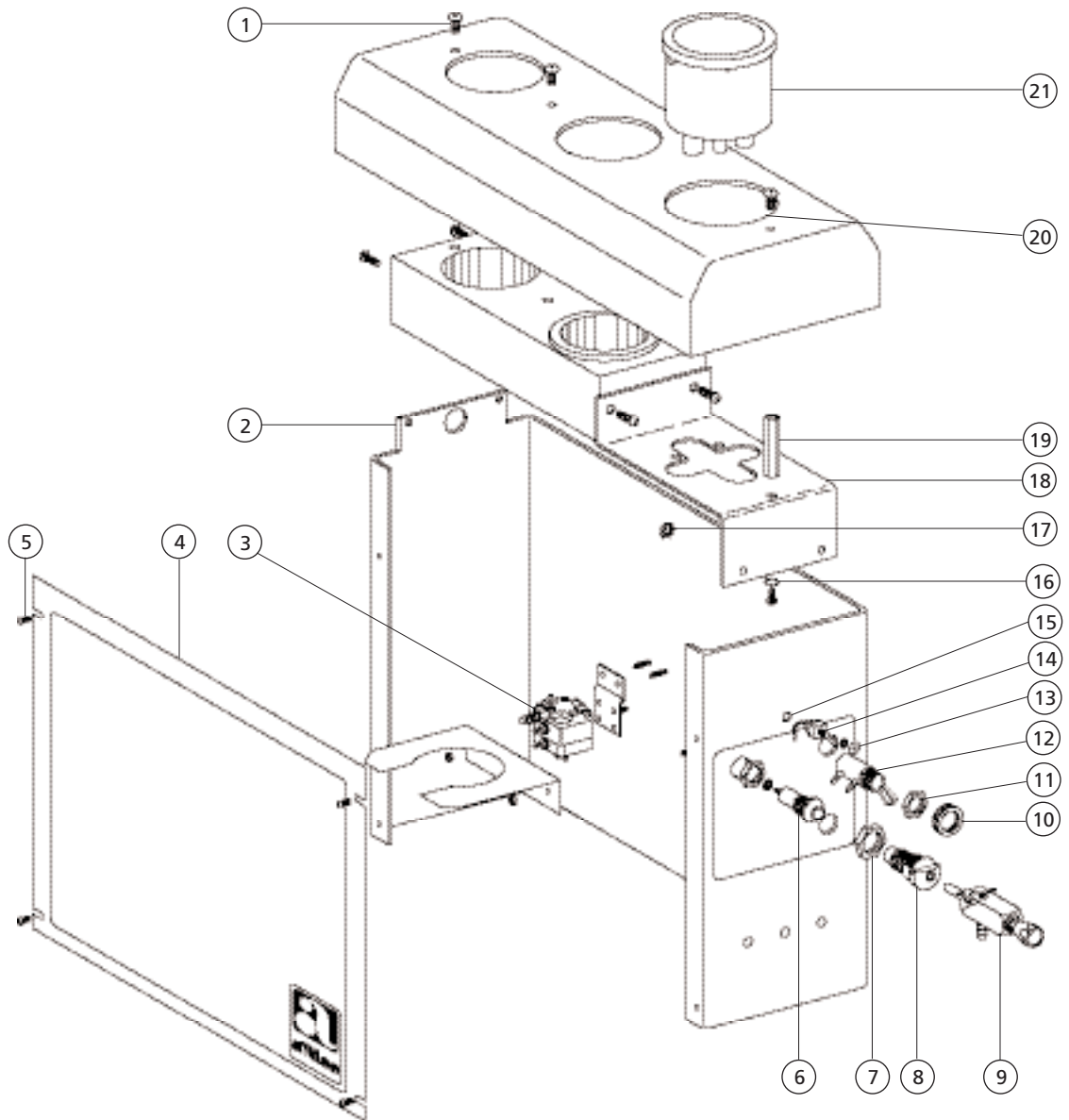
REF. NO.	DESCRIPTION	PART NO.
1	Hsg Assy, Intl Wtr Bot Surf 4	41-1112-00
2	Cap, Water Bottle Assembly	47-1237-00
3	Plug, Hole, 1/4", Surf 4	018-035-02
4	Plug, Hole, 5/32, Surf 4, PP	028-013-02
5	Util Box Wldmt, Post Mt w/Vac	41-1200-00
6	Side Cov Assy Lg Util Pst Mt S4	41-0364-01
7	Mtg Brkt, Bottle Housing	41-1114-00
8	Nut, Hex, Keps, 6-32 x 5/16 x 9/64	006-015-00
9	Scr, Btn Hd Soc, 6/32 x 5/16, SST	001-103-00
10	Screw Btn Hd Soc, 10-32 x 1/4 SST	002-094-02
11	Plug, Hole, 1 3/8 Dia, Surf 4	018-062-02
12	Hole Cov, Umb Brkt, Lg Post Box	41-1436-00
13	Scr, Btn Hd Soc, 10-32 x 5/16 SST	005-138-00
14	Nut, Hex, Keps, 10-32 x 3/8 x 5/32	006-016-00
15	Plug, Hole 1-1/4 Dia, Surf 4	018-010-02
16	Bottom Cover, Utility Surf 4	41-0366-01
17	Magnet, Door, w/Striker Plate	042-025-00
18	Scr, 4-40 x 5/16, Btn Hd Soc, Spcl	002-097-00
19	Screw, Btn Hd Soc, 10-32 x 3/8, SST	005-012-03
20	Bracket, Master Toggle, Int'l	47-1347-00
21	Nut, Hex, Keps, 6-32 x 5-16 x 9-64	006-015-00
22	Trim ring, Intl, Cusp, Surf 4	41-1111-00
23	Hole Plug 3.50 Dia, Intl Cusp	47-1348-00
24	Clamp, Hole Plug 3.50 Dia	47-1349-00

## Water Manifold Assembly 75-0113-00



REF. NO.	DESCRIPTION	PART NO.
1	Washer, Flat, Nylon, .187 ID	004-005-02
2	Barb, 1/4 x 10-32	023-001-03
3	Barb, 1/8 x 10-32	023-004-03
4	Adptr 3/8 Poly S 1/8 Mpt, Unpltd	022-065-00
5	Nut w/Sleeve, 3/8 Poly	022-014-01
6	Stem, Flow Adjust	75-0115-00
7	Scr, Btn Hd Soc, 6-32 x 1/8, SST	002-105-00
8	Stem, Fine Flow Adjust	75-0108-00
9	O-ring, AS568-009, .208 ID x .070W	030-009-02

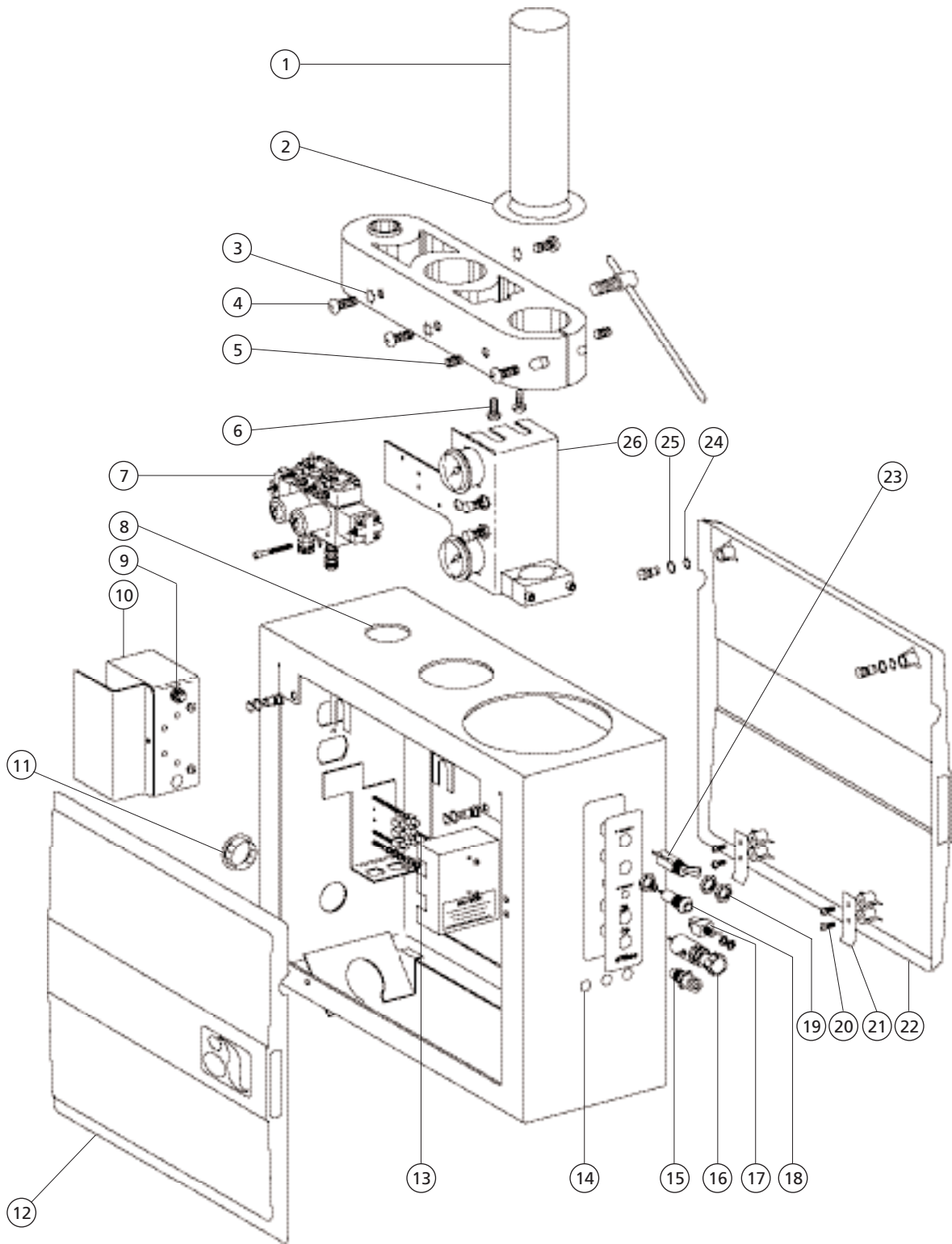
## Decade Post-Mount Utility Center



REF. NO.	DESCRIPTION	PART NO.	PAGE
1	Screw, Btn Hd Soc, 10-32 x 3/8, SST	005-012-03	
2	Cuspidor Housing, Decade Surf	42-0684-00	
3	Time Delay Relay Assembly	42-0640-00	
4	Cover, Cusp Hsg, Decade, Surf	42-0685-00	
5	Screw, Btn Hd Soc, 6-32 x 5/16, SST	001-103-00	
6	Pressure Indicator Assembly, Threaded Chrome	24-0100-02	
7	Locknut, 5/8-32, Plated	006-006-00	
8	Female QD Assembly, IC 10-32 w/Barb	026-125-00	
9	QD Flow Control Valve Assembly, IC	13-0375-00	

REF. NO.	DESCRIPTION	PART NO.	PAGE
10	Knurl Nut, 15/32-32	006-069-00	
11	Hex Nut, 15/32-32 x 9/16 x 3/32	006-009-00	
12	Valve Assembly, Toggle 3-Way Rnd	33-0048-04	209
13	Toggle Bezel	39-0780-00	
14	Toggle Switch, DPDT, 5 Amp	041-064-00	
15	Plug Hole, 1/4" Dia, Surf	018-035-01	
16	Lockwasher, External Tooth, #10	004-076-00	
17	Nut, Hex, Keps, 6-32 x 5/16 x 9/64	006-092-00	
18	Bracket, Canister Mt	12-0792-00	
19	Standoff, Hex 10-32 Fem x 1.40 Lg	42-0693-00	
20	Hole Plug, 2.50 Dia, New/Gray	42-0695-00	
21	Solids Separator Canister Assembly	17-0600-01	

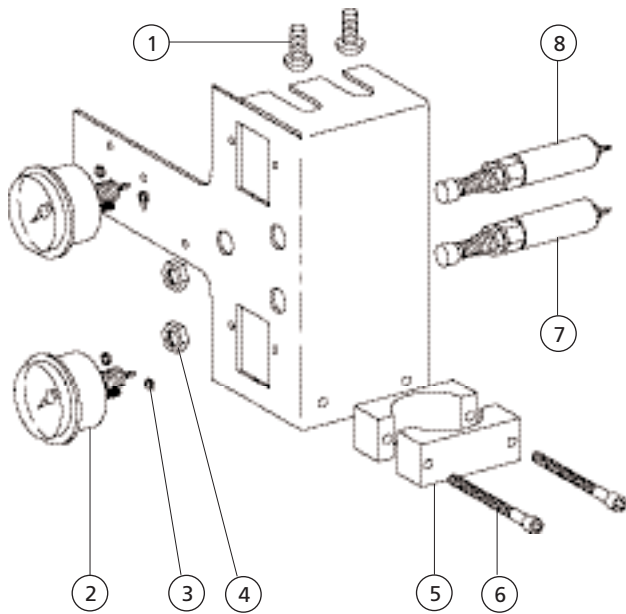
# Excellence Post-Mount Utility Center



## Excellence Post-Mount Utility Center

REF. NO.	DESCRIPTION	PART NO.	PAGE
1	Post,Cuspidor Arm Pivot	12-0648-00	
2	Washer, Flat Nylatron, 2.00 ID	004-130-00	
3	Washer, Lock, Stl Pl, Ext Tooth 1/4	004-074-00	
4	Scr, Pan Hd Phil, 1/4-20 x 1/2 Zinc	001-139-00	
5	Scr, Soc Head, 6-32 x 1 1/4, Soc Hd	005-088-00	
6	Scr, Btn Hd Soc, 10-32 x 3/8, SST	005-012-03	
7	Filter-Reg Manifold w/ 1/4 Relays	24-0352-01	186
8	Hole Cov, Cusp Arm, Lt Post, Surf Chinchilla	12-0659-01 12-0659-00	
9	Circuit Breaker 7 Amp	046-109-00	
10	Cover, Duplex Outlet	61-0313-00	
11	Plug Hole 2" Dia, Surf	018-026-01	
12	Side Cover, Utility Post Mt, w/o Clips	41-0231-01	
13	Scr, Soc Hd, 4-40 x 1/2 SST	001-021-00	
14	Plug Hole 1/4" Dia, Surf	018-035-01	
15	Water QD, Fem 1/4 ID x 10-32, w/Barbs	026-065-00	
16	Control Valve Assembly Female QD Assy. IC	13-0361-00 026-125-00	
17	S W, Toggle, DPDT ,5 amp, w/nuts	041-064-00	
18	Press Indicator Assy, Thrd Chrome	24-0100-02	
19	Nut, Hex, 15/32-32 x 9/16 x 3/32	006-009-00	
20	Scr, Pan Hd Phil, 10-32 x 3/8, SST	001-004-00	
21	Clip, Utility Cover	41-0301-00	
22	Side Cover Assy, Surf w/clips	41-0327-01	
23	Valve Assy, Tgl, 3-Way, Rnd, Gray	33-0048-04	209
24	Washer, Wave Spring, SS, .44 ID	004-053-00	
25	O-ring, Ure, .208 ID x .070 W	035-029-01	
26	Excellence Post Mount Gauges		80

## Excellence Post-Mount Gauges



REF. NO.	DESCRIPTION	PART NO.
1	Screw, Btn Hd Soc, 10-32 x 3/8, SST	005-012-03
2	Gauge, Panel Mt, 1-1/2 Dia, 0-100 psi	026-118-00
3	Nut, Mach, Hex, 6-32 x 1/4 x 3/32	006-012-00
4	Nut, Hex, 15/32-32 x 9/16 x 3/32	006-009-00
5	Clamp, Cuspidor Drain (2 required)	12-0644-00
6	Screw, 10-32 x 1 1/2, Soc Hd	002-051-00
7	Regulator 40 psi, Water	24-0182-01
8	Regulator, Air	24-0182-02

## Excellence Post-Mount Electrical Box

REF. NO.	DESCRIPTION	PART NO.
1	Cover, Duplex Outlet, Chair	61-0313-00
2	Circuit Breaker, 7 Amp	046-109-00
3	Screw, Fl Hd Undct Phil 6-32 x 1/4 Zinc	001-065-00
4	Receptacle, Duplex 15A 125V Gray	041-081-01
5	Screw, Btn Hd Soc, 6-32 x 1/2 SST	002-034-01
6	Nut Hex, 10-32 x 3/8 x 1/8 Stl	006-002-00
7	Conn, Edge x 10, .10 In, 26-28	046-049-00
8	Lockwasher, External Tooth #10	004-076-00
9	Screw, Btn Hd Soc, 10-32 x 1/2 SST	005-110-00

