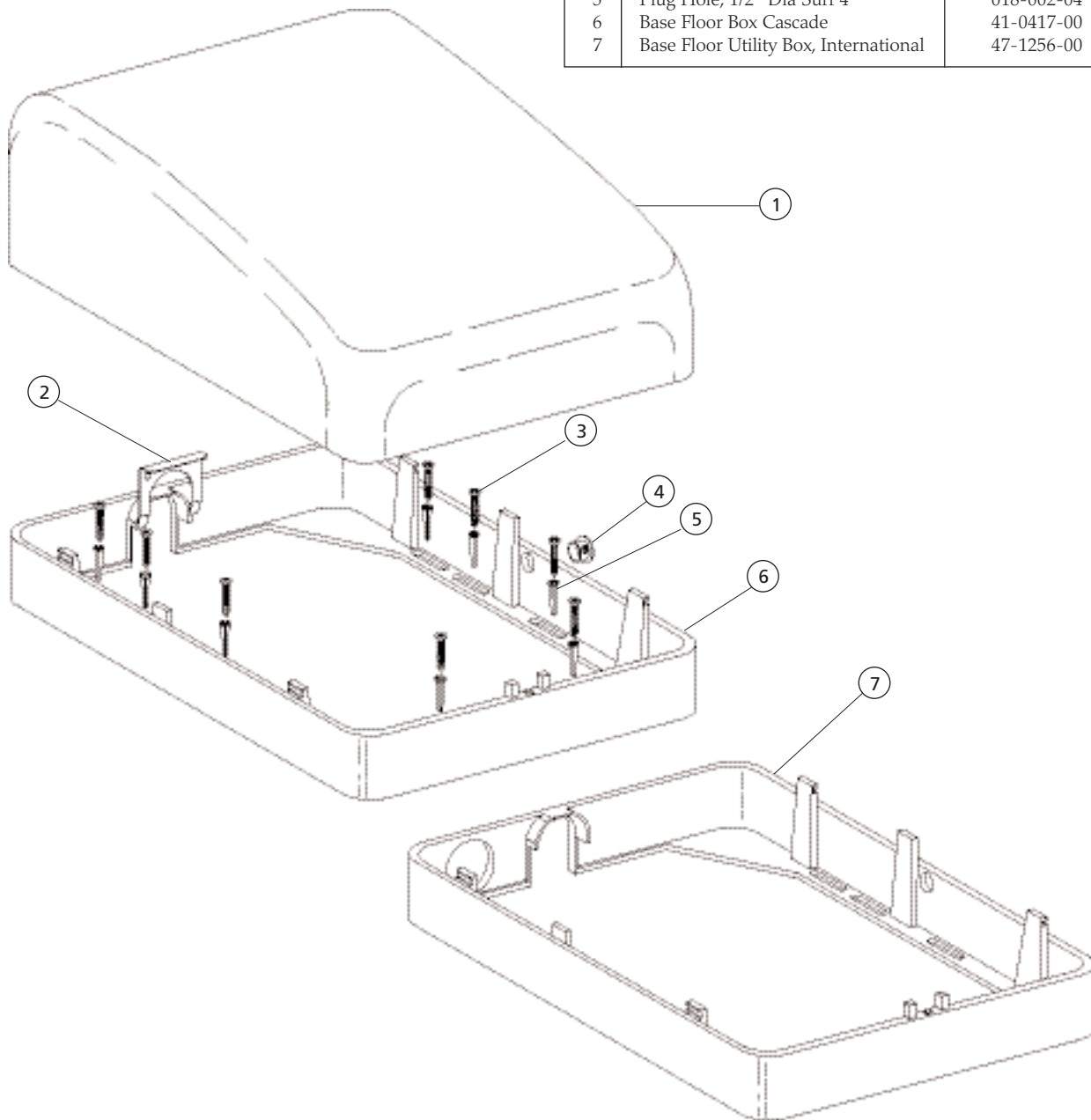


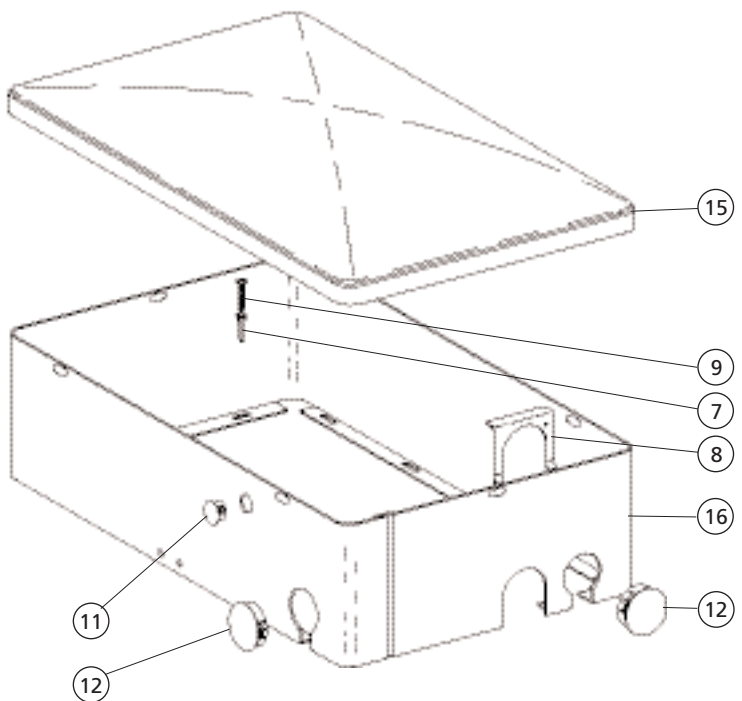
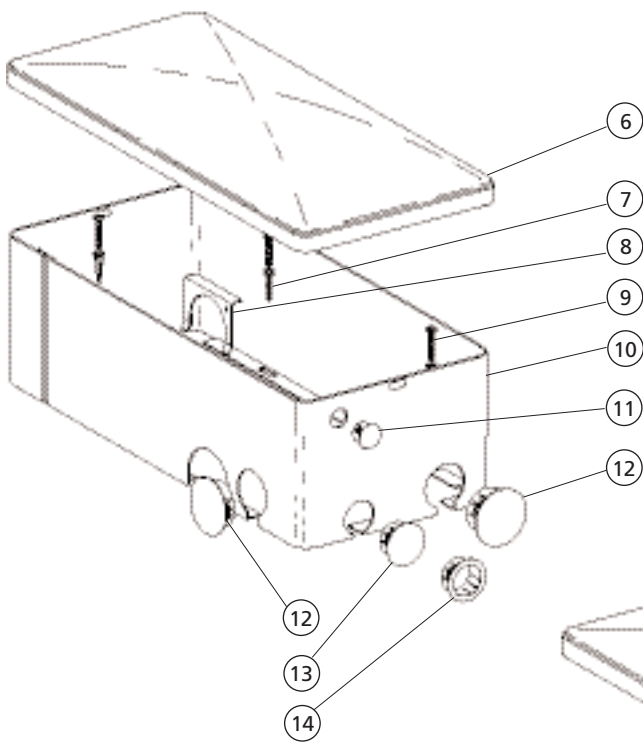
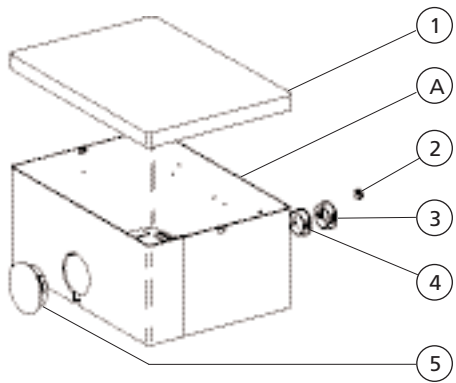
Floor Boxes

Cascade Contoured Floor Box 41-1457-00

REF. NO.	DESCRIPTION	PART NO.
1	Cover, Floor Box, Cascade	41-0416-00
2	Retaining Clip, Umbilical 2 3/8"	41-0411-00
3	Scre, Anchor 10-12, Plastic	003-018-01
4	Threaded wall insert, 3/16 x 2"	014-006-00
5	Plug Hole, 1/2" Dia Surf 4	018-002-04
6	Base Floor Box Cascade	41-0417-00
7	Base Floor Utility Box, International	47-1256-00



Floor Boxes



REF. NO.	DESCRIPTION	PART NO.
1	Cover, Utility Center, Small, Surf	30-0380-01
*	Box, Utility Center, Small (includes 1, 2, 3, 4, 5 and A)	41-0034-00
2	Plug, Hole, 1/2" Dia, Surf	018-002-03
3	Plug, Hole, 1 1/4" Dia, Surf	018-010-01
4	Bushing, Snap, 1 1/4" Dia, Surf	018-025-01
5	Plug, Hole, 2" Dia, Surf	018-026-01
6	Cover, Floor Box, Medium	41-0407-00
7	Threaded Insert Wall, 3/16 x 2"	014-006-00
8	Retaining Clip, Umbilical, 2 3/8"	41-0411-00
9	Screw, Anchor, 10-12, Plastic	003-018-01
10	Frame Assy, Floor Box, Medium (includes 11, 12, 13, 14)	41-0408-00
11	Plug, Hole, 1/2" Dia Surf 4	018-002-04
12	Plug, Hole, 2" Dia, Surf 4	018-026-02
13	Plug, Hole 1 1/4" Dia, Surf 4	018-010-02
14	Bushing, Snap, 1 1/4" Dia, Surf 4	018-025-02
15	Cover, Floor Box, Large	41-0413-00
16	Frame, Floor Box, Large	41-0414-00

Flush-Mount Floor Box 41-1458-00

REF. NO.	DESCRIPTION	PART NO.
1	Screw, 1/4-20 x 3/8, Btn Hd Soc	005-143-00
2	Plug, Hole, 1/2" Dia, Surf 4	018-002-04
3	Flush Floor Box, Umbilical Cover	41-1410-00
4	Umbilical Mounting Plate, 1-3/4"	41-1439-00
5	Washer, Flat, Stl, Fl, .261 ID	004-141-00
6	Flush Floor Box, Umbilical Bracket	41-1411-00
7	Screw, Tr Hd Phil, 10-32 x 5/8, SST	001-202-00
8	Cover, Flush Mt Floorbox, Umb Mt	41-1412-00
9	Cover, Flush Mount Floor Box	41-1413-00
10	Nut, Retainer, 10-32, Zinc	006-122-00
11	Inner Box, Flush Mt Utility	41-1173-00

