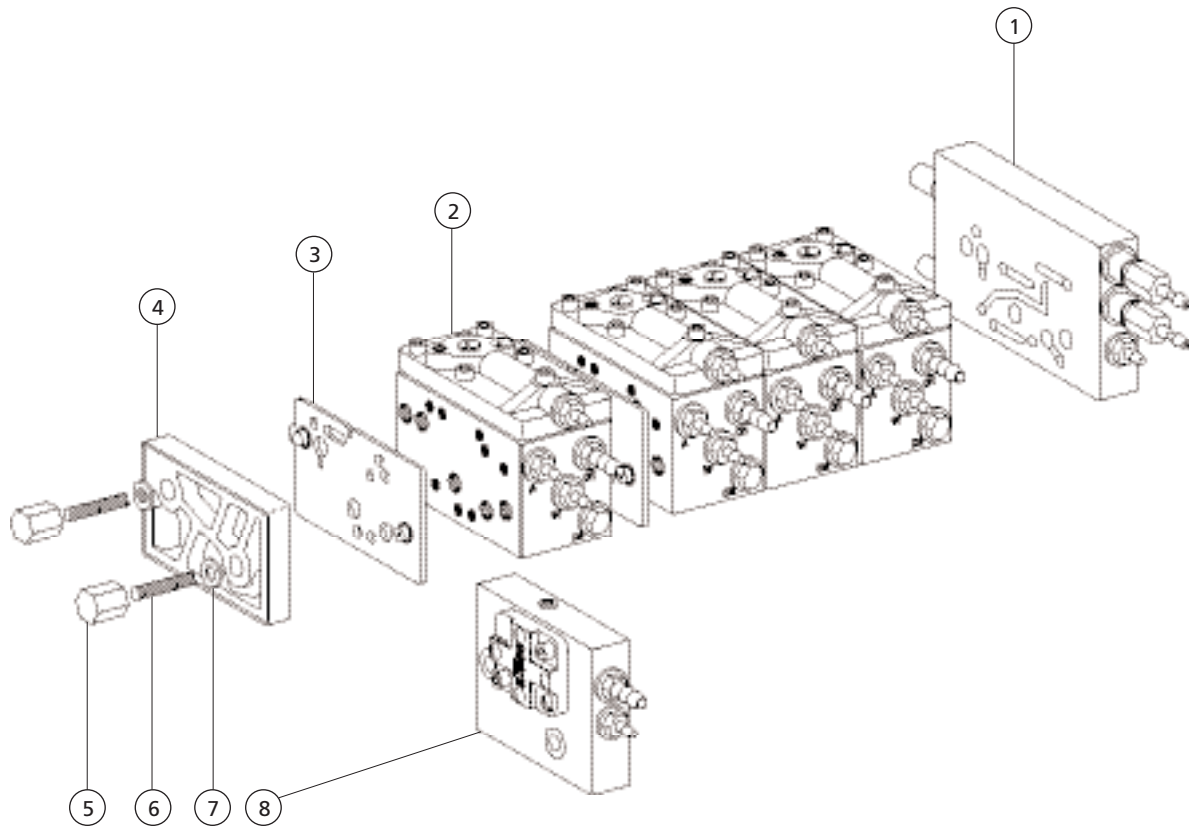


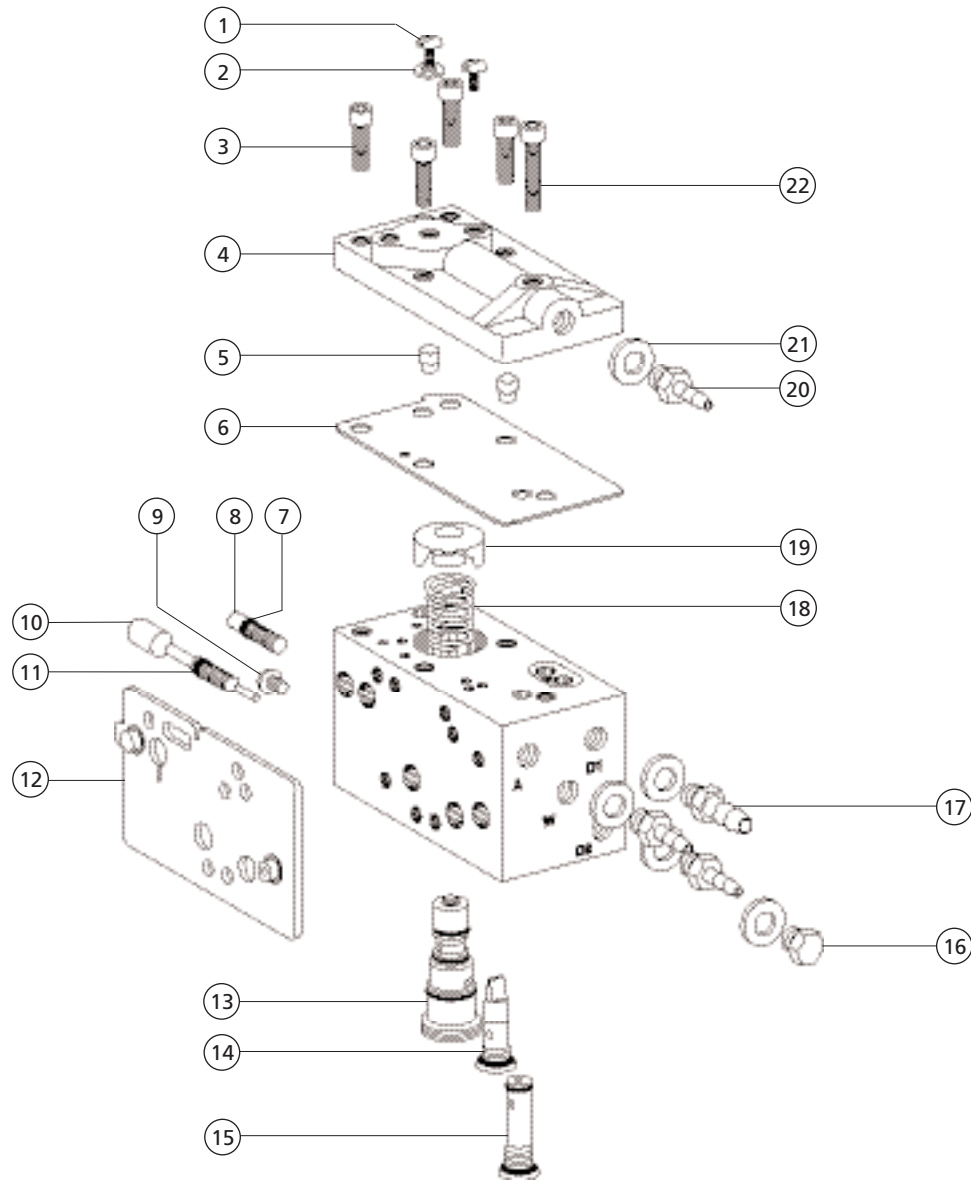
Control Components

Control Assembly, Century Plus



REF. NO.	DESCRIPTION	PART NO.	PAGE
1	Manifold Assy, Cont. Blk, Cascade	38-0524-00	196
-	Manifold Assy, Cent Plus, IC	38-0528-00	196
2	Control Block Assy, Cent Plus	38-0509-00	195
3	Gasket, Molded, Side	38-0507-01	
4	End Cap, Control Block, Cent Plus	38-0505-00	
5	Nut, Special, 6-32 x 5/16 Hex	38-0508-00	
6	Tie Bolt Kit, Cent Plus		
-	2 Block	38-0504-06	
-	3 Block	38-0504-07	
-	4 Block	38-0504-08	
-	5 Block	38-0504-09	
7	Washer, Float, Nylon, .142 ID	004-036-00	
8	End Cap Assy, Tooth Dryer	38-0535-00	197

Control Block Assembly, Century Plus 38-0509-00

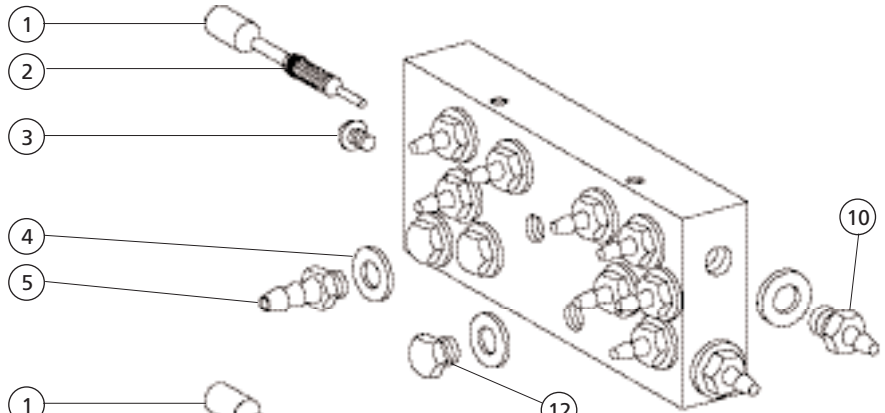


REF. NO.	DESCRIPTION	PART NO.
1	Screw, Tr, Hd, 2-56 x 1/8, SST	001-002-01
2	Washer, Float, Nylon, .093 ID	004-078-00
3	Screw, Soc Head, 4-40 x 3/8", SST	001-024-01
4	Cap, Control, Block, Cent Plus	38-0511-00
5	Pin, Cap	38-0513-00
6	Diaphragm, Top Cap, .75 x 1.65	38-0519-01
7	O-ring, .100 ID x .038 W	035-034-01
8	Stem, Flow Adjust, Drive Air	38-0510-00
9	Screw, Button Head Socket, 4-40 x 3/16 Black Oxide	002-118-00
10	Stem, Flow Adjust, Water	38-0516-00
11	O-ring, .100 ID x .038 W	035-034-01
12	Gasket, Molded, Side	38-0507-01
13	Cartridge Assy, Water Valve	38-0520-00

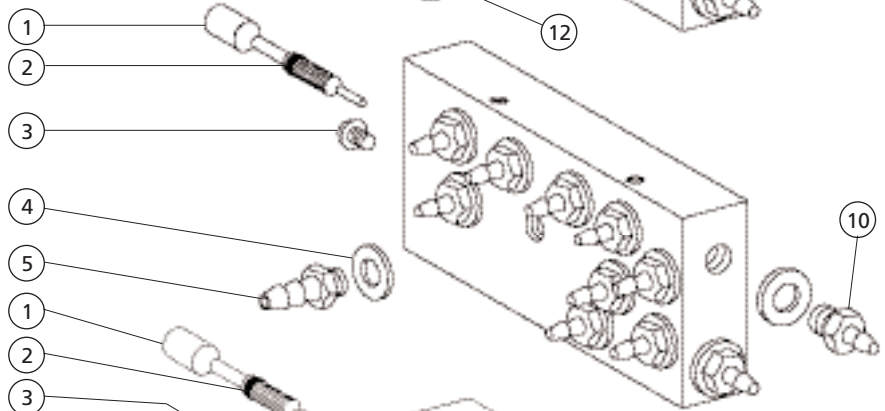
REF. NO.	DESCRIPTION	PART NO.
14	Cartridge, Check Valve w/Duckbill	38-0518-00
15	Cartridge, Air Bleed w/O-rings	38-0517-00
16	Plug, Hex Hd, 10-32	021-016-04
17	Barb, 1/4 x 10-32	023-001-03
18	Spring, Compression, .240 OD x .38	013-021-00
19	Actuator, Water Valve	38-0514-00
20	Barb, 1/8 x 10-32	023-004-03
21	Washer, Flat, Nylon, .187 ID	004-005-02
22	Screw, Socket Head, 4-40 x 1/2" Stainless Steel	001-021-01
*	Control Block Service Kit (includes 1, 2, 4, 5, 6, 8, 10, 12, 13, 14, 15, 18, 19, 20, 21)	38-0537-01

Manifold Assembly, Century Plus 38-0528-00, 38-0524-00

Century Plus, IC
Obsolete



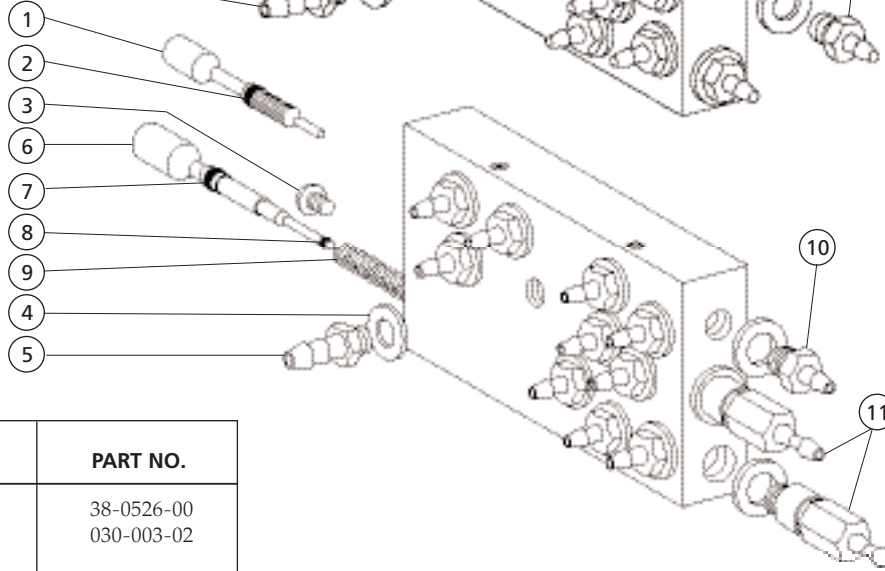
Century Plus for
Decade Carts
38-0528-00



Replacement for
Century Plus, IC

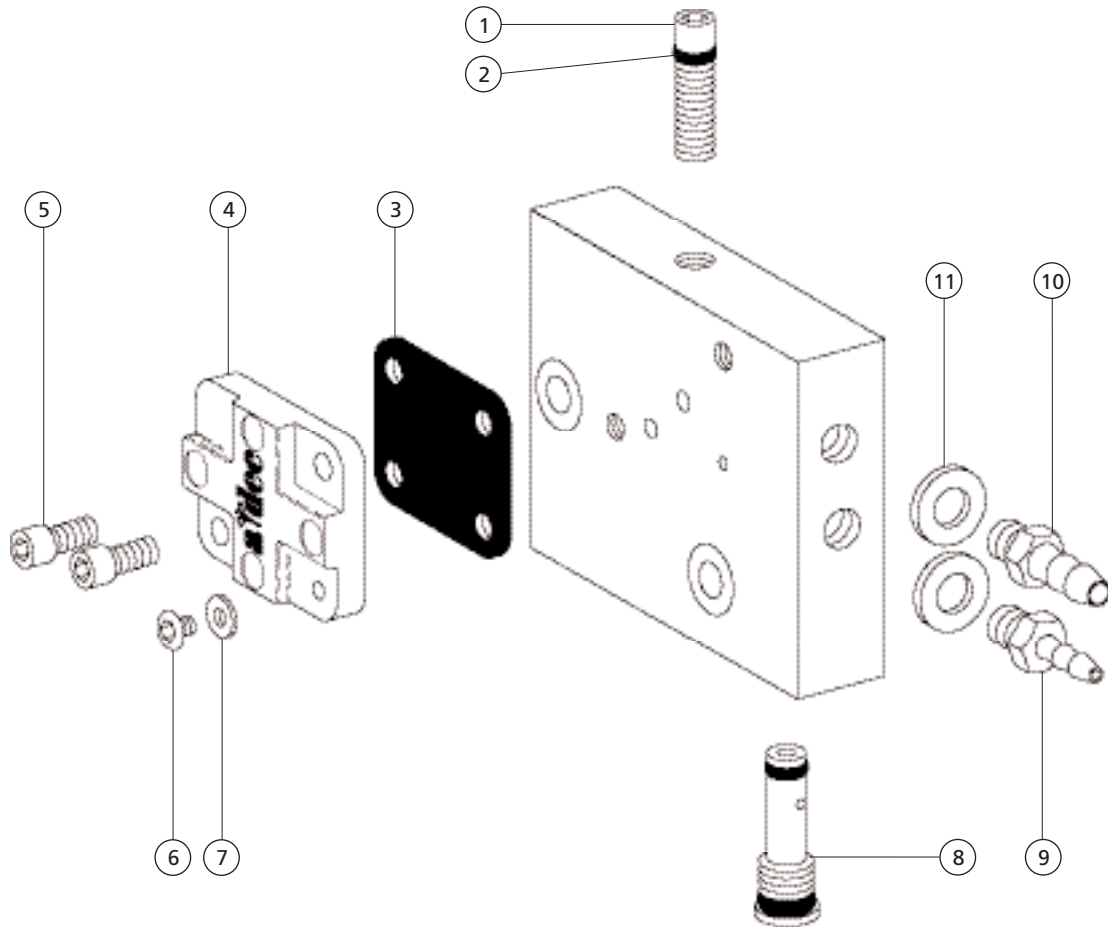


Century Plus for
Cascade
38-0524-00



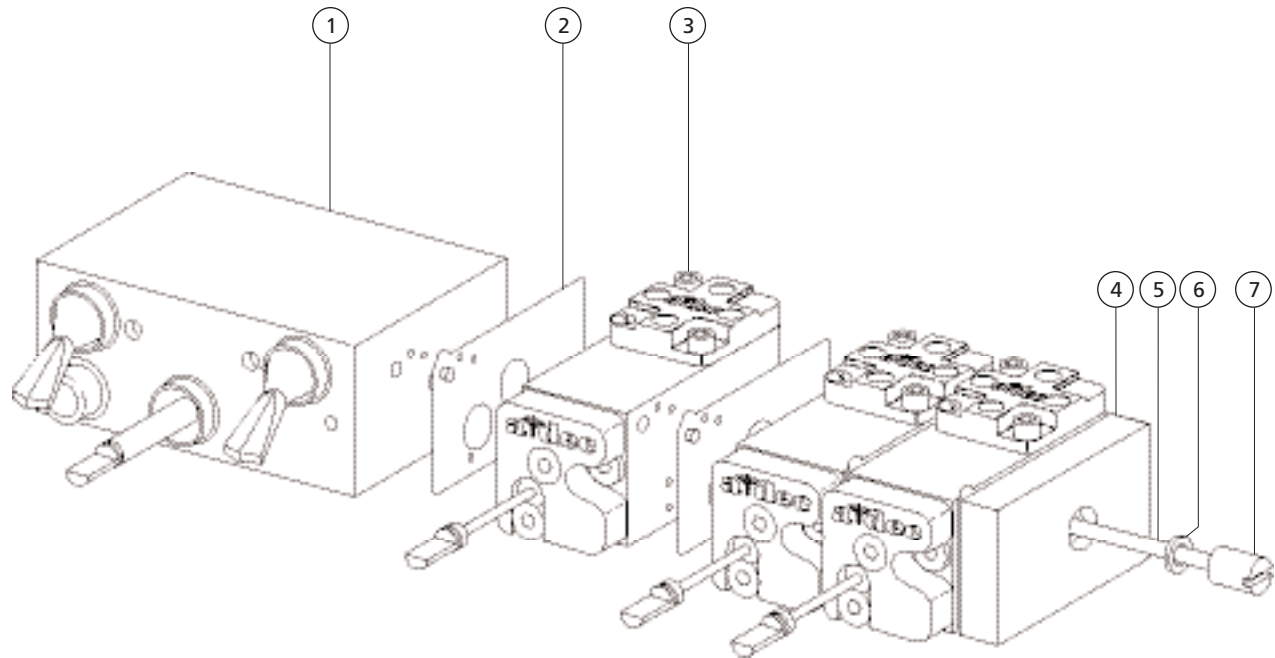
REF. NO.	DESCRIPTION	PART NO.
1	Stem w/O-rings, Air Coolant	38-0526-00
2	O-ring, AS568-003, .056 ID x .060 W	030-003-02
3	Screw, Btn Hd Soc, 4-40 x 3/16, Blk Ox	002-118-00
4	Washer, Flat, Nylon, .187 ID	004-005-02
5	Barb, 1/4 x 10-32	023-001-03
6	Stem W/O Rings, Flush Valve	38-0525-00
7	O-ring, E, .101 ID x .070W	035-033-01
8	O-ring, E, .029 ID x .040W	034-001-01
9	Spr Comp, .210 OD x .710 Fl	013-072-00
10	Barb, 1/8 x 10-32	023-004-03
11	Flow Control Barb Assy, 1/8	38-0555-00
12	Plug, Hex Hd, 10-32	021-016-04

End Cap Assembly, Tooth Dryer 38-0535-00



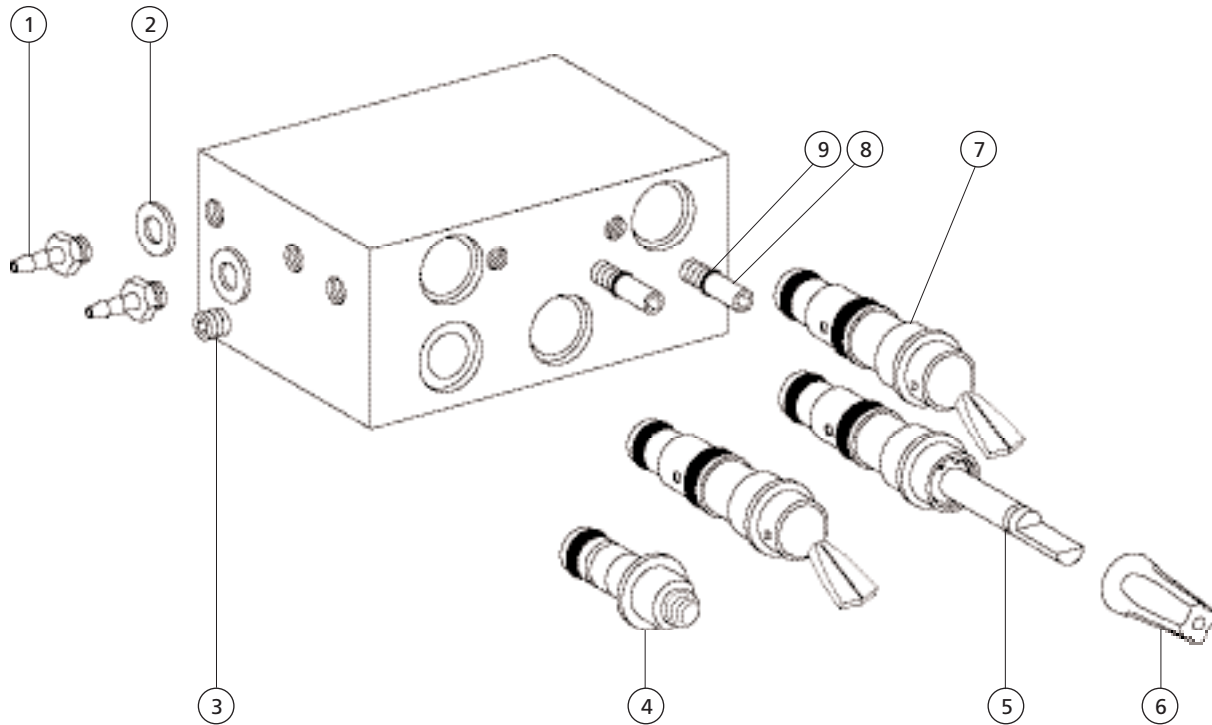
REF. NO.	DESCRIPTION	PART NO.
1	Stem, Flow Adjust, Drive Air	38-0510-00
2	O-ring, N, .101 ID x .038 W	035-034-01
3	Diaphragm, 3/5 Square x .013 Thk	38-0054-02
4	Cover, Valve, Water, Cent II	38-0804-00
5	Screw, Soc Hd, 4-40 x 1/4, SST	002-128-00
6	Screw, Tr Hd Slot, 2-56 x 1/8, SST	001-002-01
7	Washer, Flat, Nylon, .093 ID	004-078-00
8	Cartridge, Air Bleed w/O-rings	38-0517-00
9	Barb, 1/8 x 10-32	023-004-03
10	Barb, 1/4 x 10-32	023-001-03
11	Washer, Flat, Nylon, .187 ID	004-005-02

Control Assembly, Century II, 3 Handpiece 38-0188-00 and 38-0188-02 Obsolete



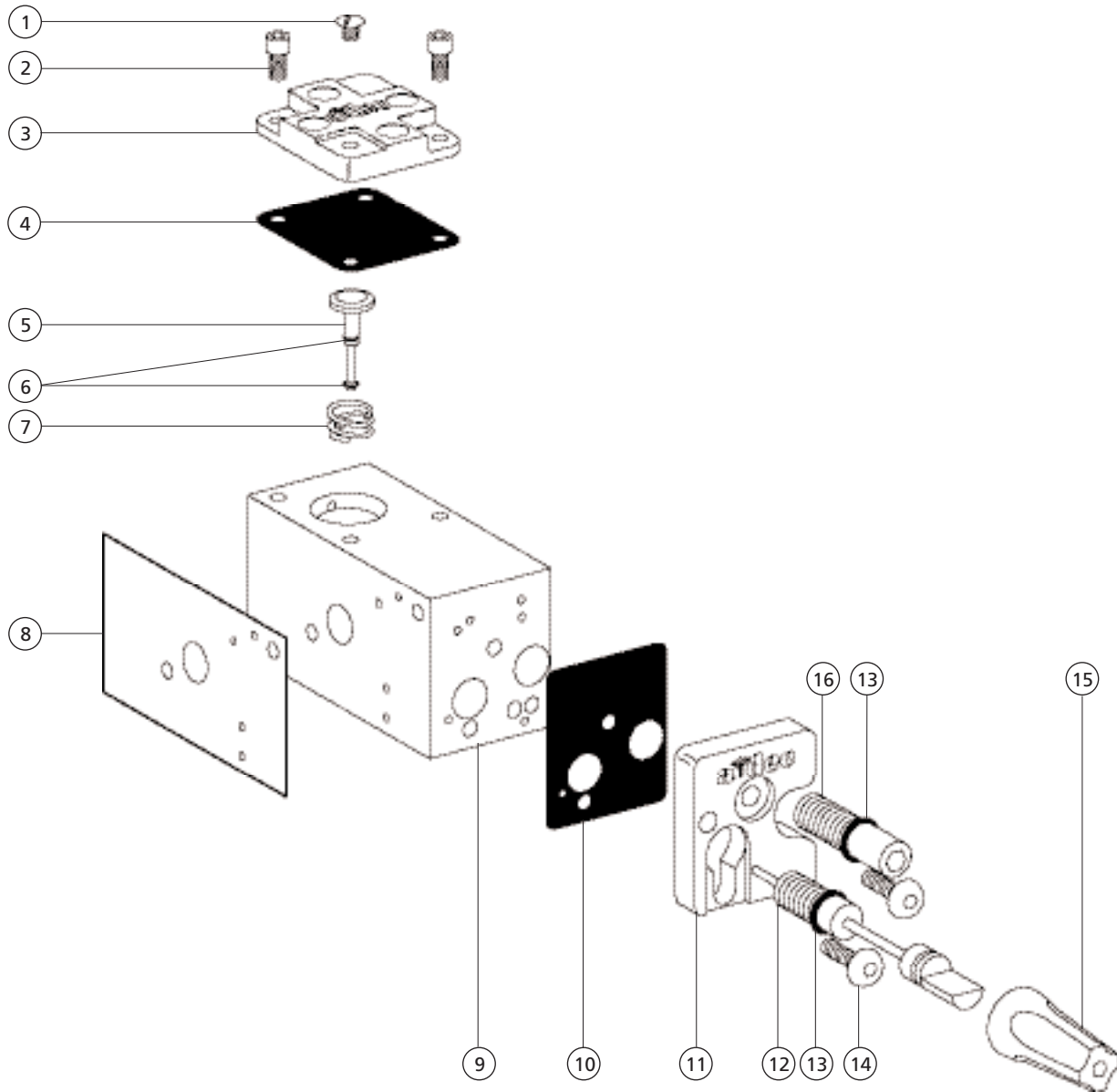
REF. NO.	DESCRIPTION	PART NO.	PAGE
1	Master Block Assy, Cent II, Gray	38-0184-01	199
2	Gasket, 1.210 x .985 x .028 Thk	38-0186-02	
3	Block Assy, Non-Retract Black/Gray	38-0223-02	200
4	Manifold	38-0183-00	
5	Tie Bolt,		
-	2 Block	38-0192-01	
-	3 Block	38-0193-01	
-	4 Block	38-0194-01	
-	5 Block	38-0195-01	
6	Washer, Flat, Nylon, .142 ID	004-036-00	
7	Nut, Special, 6-32 x 1/4 Dia x 7/16	006-027-00	

Master Block Assembly, Century II
38-0184-00 Obsolete and 38-0184-01



REF. NO.	DESCRIPTION	PART NO.	PAGE
1	Barb, 1/8 x 10-32	023-004-03	
2	Washer, Flat, Nylon, .187 ID	004-005-02	
3	Setscrew, Soc Cup Pt, 6-32 x 1/8	007-001-00	
4	Indicator Assy, On-Off, Cartridge Black	24-0105-00	
	Chrome (Used on 38-0184-01)	24-0105-01	
5	Valve Assy, Needle, Cartridge Black/Gray	33-0101-02	202
6	Knob, Yellow Dot, 3/16" ID 1 Black and 1 Gray	027-018-02	
	Newport Gray	027-018-01	
7	Valve Assy, Toggle 3 Way, Cartridge Black	33-0100-00	201
	Newport Gray	33-0100-01	201
8	Screw, Adjust w/O-ring	29-0100-00	
9	O-ring, AS568-004 .070 ID x .070 W	030-004-02	

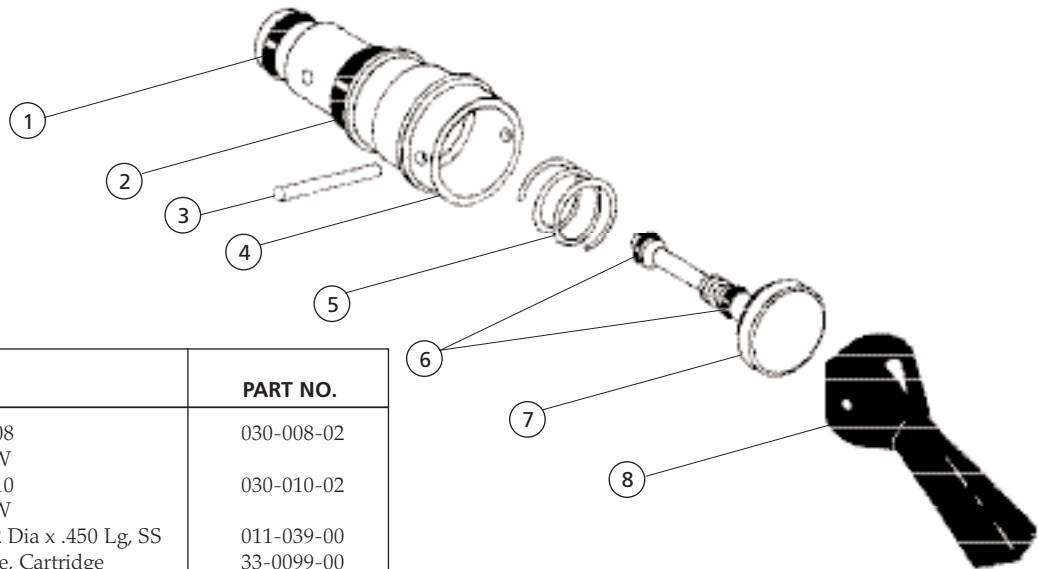
Block Assembly, Non-Retraction 38-0223-02



REF. NO.	DESCRIPTION	PART NO.
1	Screw, Tr Hd Slot, 2-56 x 1/8, SST	001-002-01
2	Screw, Soc Hd, 4-40 x 1/4, Zinc	003-078-00
3	Cover, Valve, Water, Cent II	38-0181-00
4	Diaphragm, 3/4 Square x .013 Thk	38-0054-02
5	Stem w/O-ring, 2-Way Control Block	29-0831-00
6	O-ring, AS568-001 .029 ID x .040 W	030-001-02
7	Spring, Helical, Comp, .245 OD x .26	013-025-00
8	Gasket, 1.210 x .985 x .028 Thk	38-0186-02
9	Block, Control	38-0176-00
10	Diaphragm, 3/4 x 1" x .013 Thk	38-0179-02
11	Cover, Valve, Control Block	38-0178-00

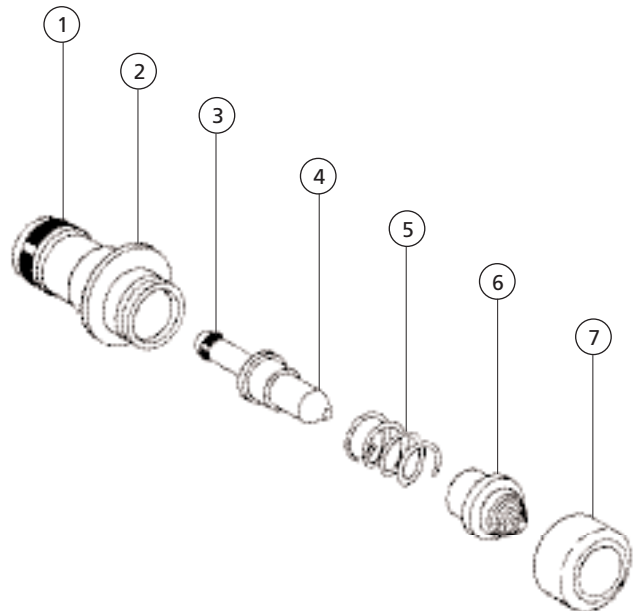
REF. NO.	DESCRIPTION	PART NO.
12	Stem w/O-ring, Needle Vlv, Cont Blk	33-0103-00
13	O-ring, AS568-004 .070 ID x .070 W	030-004-02
14	Screw, Btn Hd Soc, Spcl, 4-40 x 5/16	002-097-00
15	Knob, Blue Dot, 3/16" ID Black/Gray	027-017-02
16	Screw, Adjust w/O-ring	29-0100-00
-	Century II Handpiece Repair Kit (includes 4, 5, 7, 8, 10, 13, 14,)	90-0321-00
-	Century II Cover Kit (includes 10, 11, 13, 14)	90-0304-00

Valve Assembly, Toggle, 3-Way, Cartridge 33-0100-00 and 33-0100-01



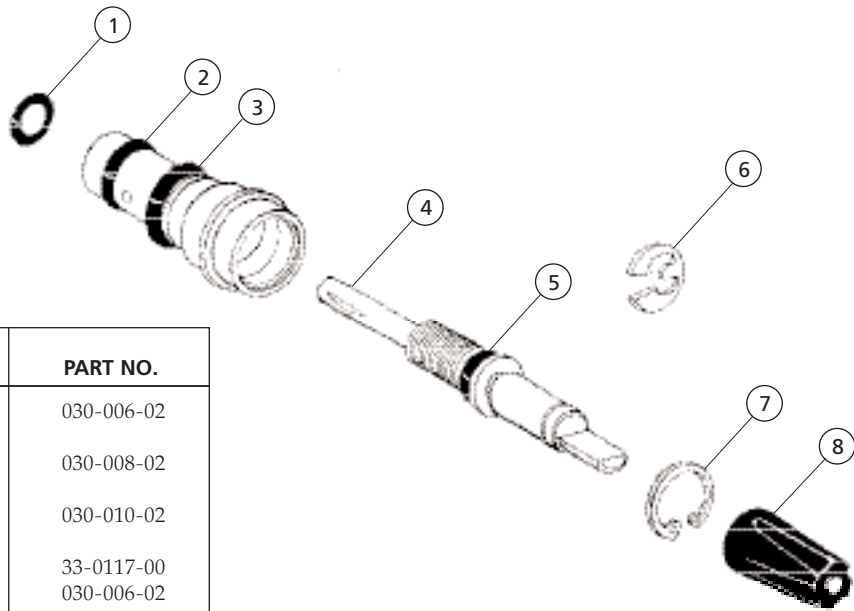
REF. NO.	DESCRIPTION	PART NO.
1	O-ring, AS568-008 .176 ID x .070 W	030-008-02
2	O-ring, AS568-010 .239 ID x .070 W	030-010-02
3	Pin, Straight, .062 Dia x .450 Lg, SS	011-039-00
4	Body, Valve, Toggle, Cartridge	33-0099-00
5	Spring, Helical Comp, .30 OD x .40	22-0040-00
6	O-ring, AS568-001 .029 ID x .040 W	030-001-02
7	Stem w/O-rings, 3-Way	29-0840-00
8	Lever, Plastic, Toggle Valve Black Newport Gray	22-0462-00 22-0462-01

Indicator Assembly, On-Off, Cartridge 24-0105-00 and 24-0105-01



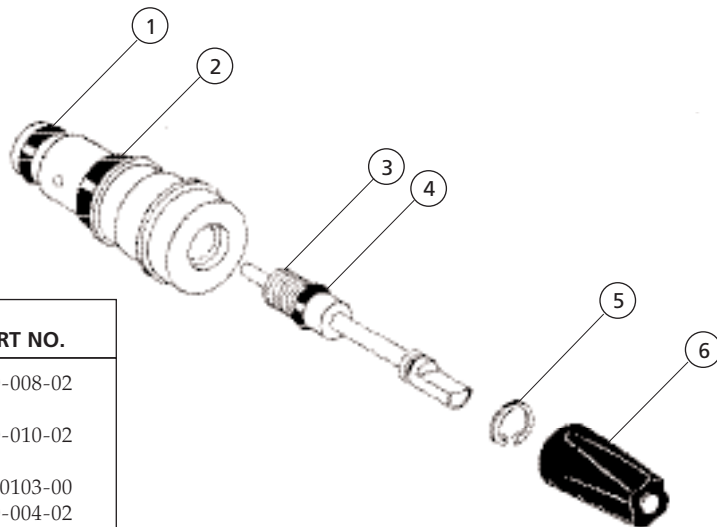
REF. NO.	DESCRIPTION	PART NO.
1	O-ring, AS568-008 .176 ID x .070 W	030-008-02
2	Body, On/Off Indicator, Cartridge	24-0107-00
3	O-ring, AS568-002 .042 ID x .050 W	030-002-02
4	Plunger, w/O-ring	24-0103-00
5	Spring, Helical, Comp, .24 OD x .38	013-021-00
6	Lens, On/Off Indicator, Cartridge	24-0109-00
7	Bezel, On/Off Indicator, Cartridge	24-0113-00
-	Bezel, On/Off Indicator, Chrome	24-0113-01

Valve Assembly, Needle, Cartridge 33-0101-02



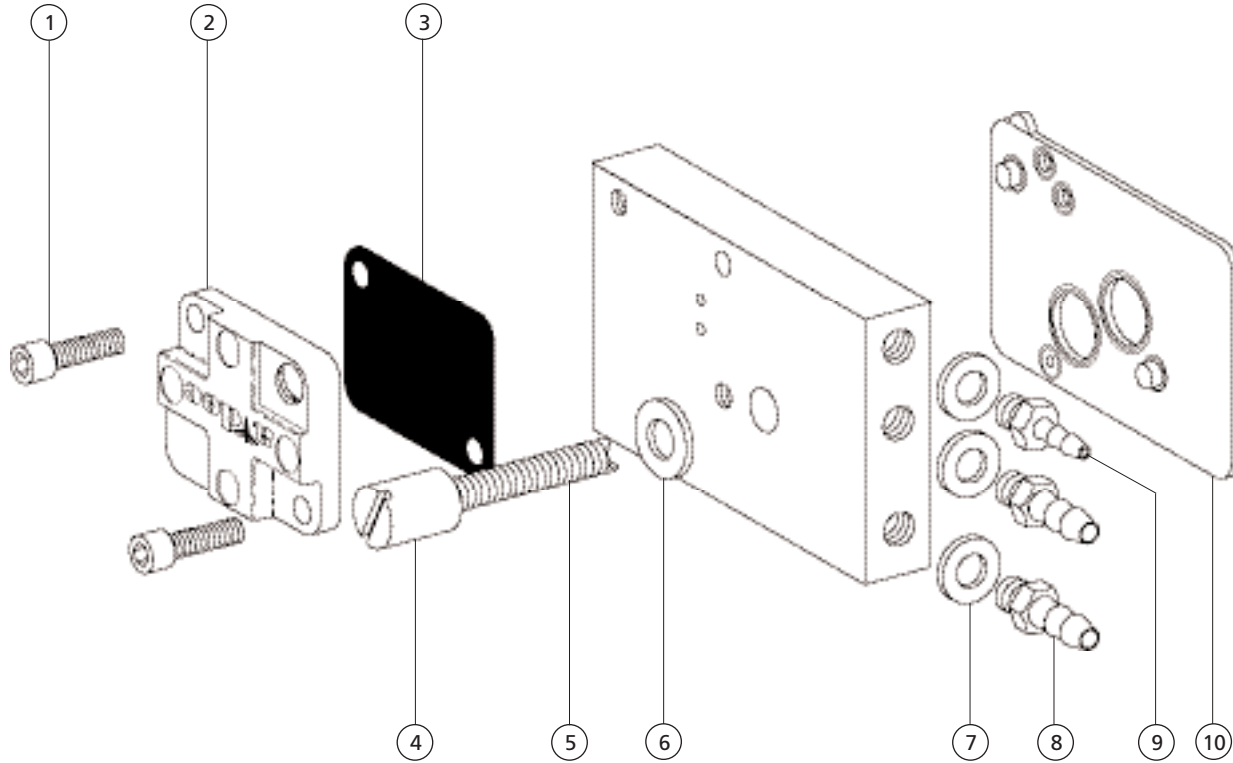
REF. NO.	DESCRIPTION	PART NO.
1	O-ring, AS568-006 .114 ID x .070 W	030-006-02
2	O-ring, AS568-008 .176 ID x .070 W	030-008-02
3	O-ring, AS568-010 .239 ID x .070 W	030-010-02
4	Stem w/O-ring, Needle Valve, Ctrg.	33-0117-00
5	O-ring, AS568-006 .114 ID x .070 W	030-006-02
6	Retaining Ring, External, .187 ID	010-002-00
7	Retaining Ring, Internal 3/8" ID	010-013-00
8	Knob, Yellow Dot, 3/16" ID 1 Black and 1 Gray	027-018-02 027-018-01

Valve Assembly, Needle, Cartridge Old Style 33-0101-00 and 33-0101-01 Replaced with 33-0101-02



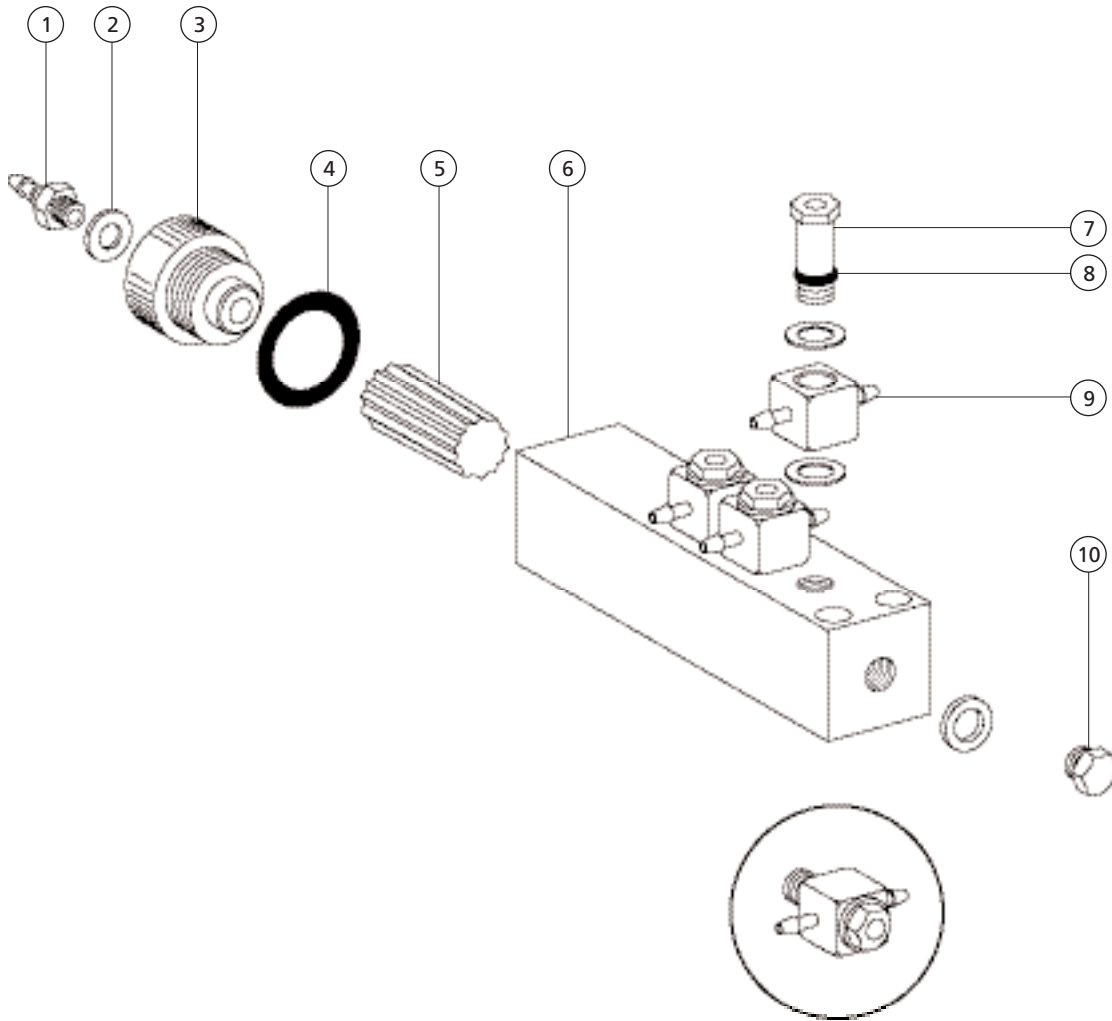
REF. NO.	DESCRIPTION	PART NO.
1	O-ring, AS568-008 .176 ID x .070 W	030-008-02
2	O-ring, AS568-010 .239 ID x .070 W	030-010-02
3	Stem w/O-ring, Needle Vlv, Cont Blk	33-0103-00
4	O-ring, AS568-004 .070 ID x .070 W	030-004-02
5	Retaining Ring, Internal 1/4" OD	010-017-00
6	Knob, Yellow Dot, 3/16" ID 1 Black and 1 Gray	027-018-02 027-018-01

Tooth Dryer Manifold Assembly 39-0798-00



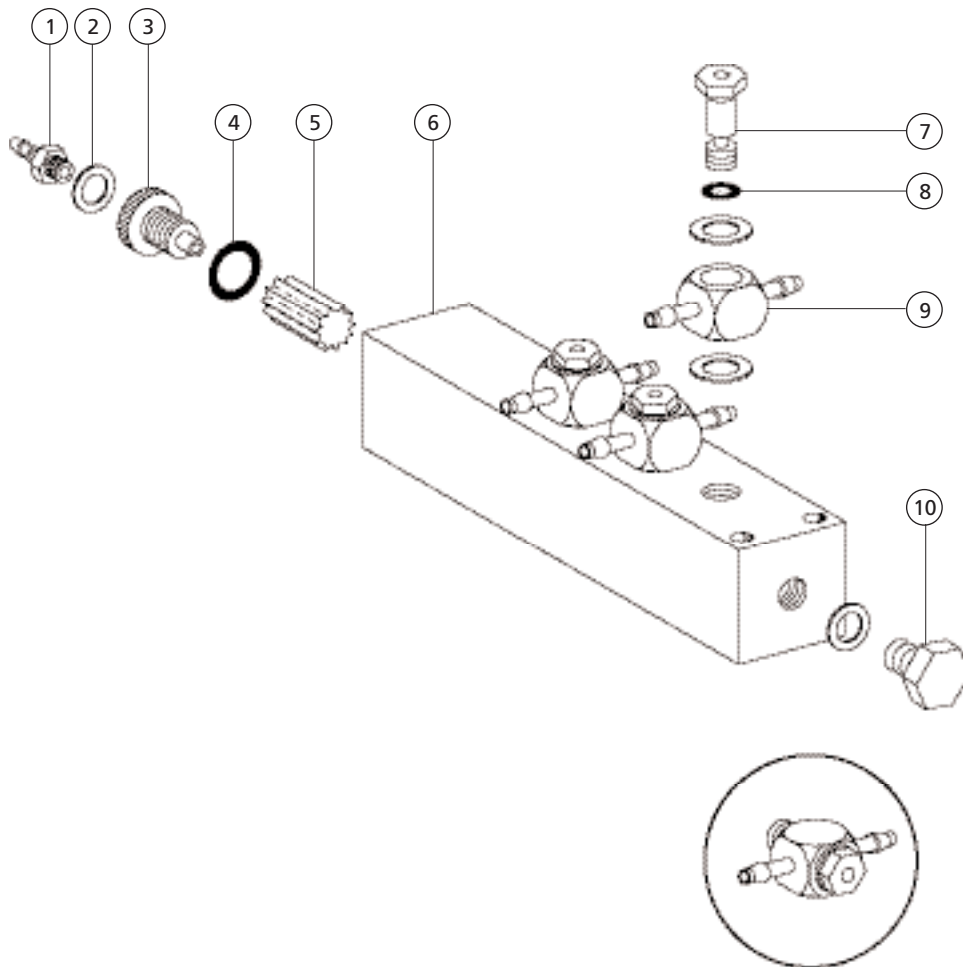
REF. NO.	DESCRIPTION	PART NO.
1	Screw, Soc Hd, 4-40 x 1/4, Zinc	003-078-00
2	Valve Cover, Tooth Dryer, Plated	38-0197-00
3	Diaphragm, 3/4 Square x .013 Thk	38-0054-02
4	Nut, Special, 6-32 x 1/4 Dia x 7/16	006-027-00
5	Tie Bolt, 3 Block	38-0193-01
6	Washer, Flat, Nylon, .142 ID	004-036-00
7	Washer, Flat, Nylon, .187 ID	004-005-02
8	Barb, 1/4 x 10-32	023-001-03
9	Barb, 1/8 x 10-32	023-004-03
10	Gasket, 1.210 x .985 x .028 Thk	38-0186-02

Manifold Assembly, Air Bleed 38-0312-00 and 38-0312-01 Obsolete



REF. NO.	DESCRIPTION	PART NO.
1	Barb, 1/8 x 10-32	023-004-03
2	Washer, Flat, Nylon, .187 ID	004-005-02
3	Plug, Knurled, 1/2-20 w/10-32 Port	38-0314-00
4	O-ring, AS568-013 .426 ID x .070 W	030-013-02
5	Filter, UHMW PE, 10 Micron	19-0001-03
6	Manifold, Air Bleed, 4 Pos	38-0313-00
7	Restrictor Fitting Assy, .005 10-32	38-0316-00
8	O-ring, AS568-004 .070 ID x .070 W	030-004-02
9	Banjo Fitting, 1/8 Barb	38-0315-00
10	Plug, Hex Hd, 10-32	021-016-04

Excellence Air Bleed Manifold 38-0312-00 and 38-0313-00



REF. NO.	DESCRIPTION	PART NO.
1	Barb, 1/8 x 10-32	023-004-03
2	Washer, Flat, Nylon, .187 ID	004-005-02
3	Plug, Knurled, 1/2-20 w/10-32 Port	38-0314-00
4	O-ring, AS568-013 .426 ID x .070 W	030-013-02
5	Filter, UHMW PE, 10 Micron	19-0001-03
6	Manifold, Air Bleed, 4 Pos	38-0313-00
7	Restrictor Fitting Assy, .005 10-32	38-0316-00
8	O-ring, AS568-004 .070 ID x .070 W	030-004-02
9	Banjo Fitting, 1/8 Barb	38-0315-00
10	Plug, Hex Hd, 10-32	021-016-04

