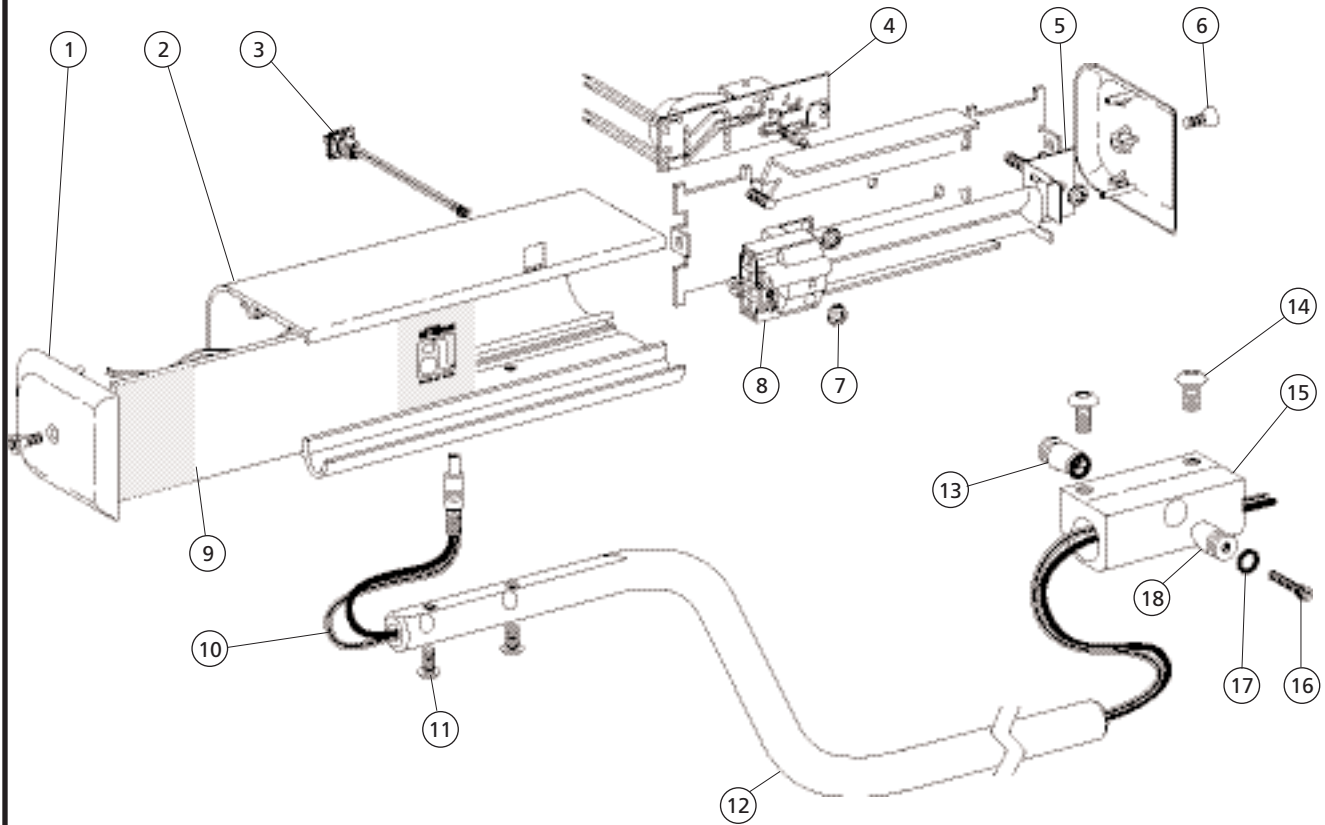


# Bitewing Viewer

## Bitewing Viewer Assembly 75-1050-00



REF. NO.	DESCRIPTION	PART NO.
1	End Cap Bitewing Viewer	76-8009-00
2	Housing, Bitewing Viewer	76-8002-00
3	Switch Assembly, Bitewing Viewer	76-8013-00
4	Circuit Board Assembly, Bitewing	76-8016-00
5	Lamp Holder Fluorescent Surface Mt	041-500-00
6	Screw Fl Hd Phil 6-32 x 5/8 SST	001-157-00
7	Nut, Hex, Keps 6-32 x 5/16 x 9/64	006-015-00
8	Lamp Fluorescent 4100K 9W	041-501-00
9	Lens, Bitewing Viewer	76-8001-00
10	Pwrcrd LV Blk 2 x 22, 2', ST, 2.5mm	041-524-00
11	Screw Btn Hd Soc Patch 6-32 SST	002-140-00
12	X-ray Viewer Arm Cascade	75-1014-00
13	Wedge Universal Handle Threaded	39-2002-00
14	Screw Btn Hd Soc 10-32 x 3/8 SST	005-012-03
15	Mount Universal Handle	39-2014-00
16	Screw Soc Hd 6-32 x 1 SST	002-011-00
17	O-ring AS568-101, .239ID x .070W	030-010-02
18	Wedge Universal Handle Thru	39-2003-00