

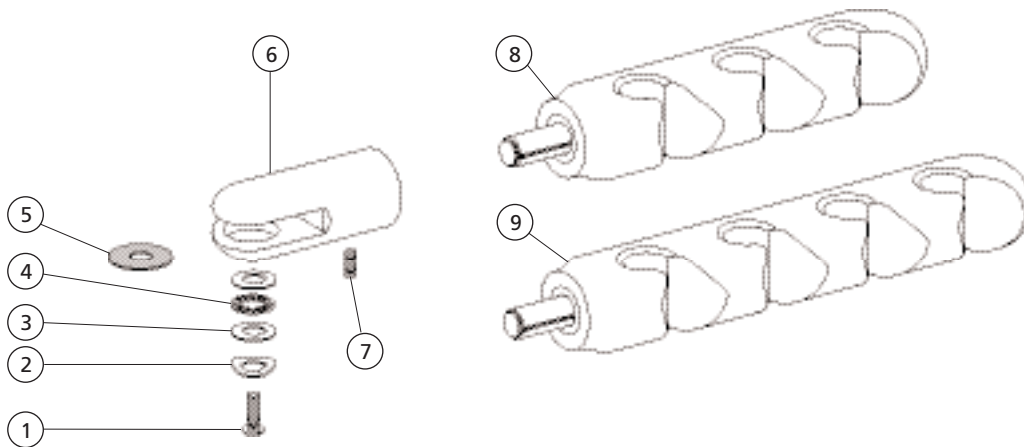
# Assistant's Holders and Arms

## Performer Assistant's Holders 12-0938-00 and 12-1128-00



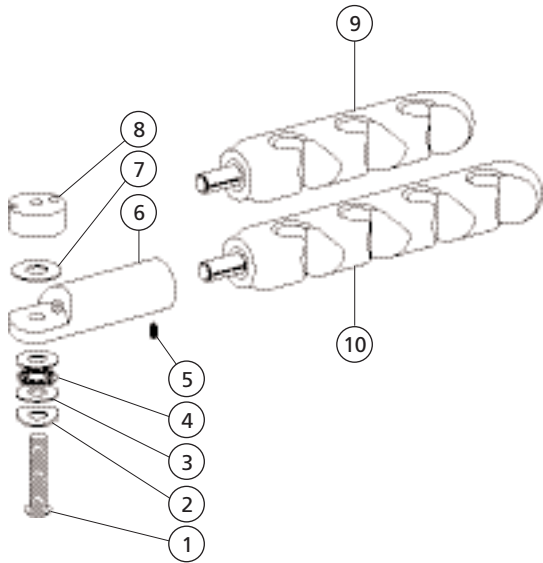
REF. NO.	DESCRIPTION	PART NO.
1	Setscrew, Soc Cup Pt, 10-32 x 5/16	007-004-00
2	Adapter, Asst Holder, Cascade	12-0941-00
3	Assistant's Holder Assy, 3 Pos	61-2250-00
4	Holder, Bar Assy, 4 Pos, IC	61-1534-00

## Rear Delivery Assistant's Holders 12-1160-00 and 12-1167-00



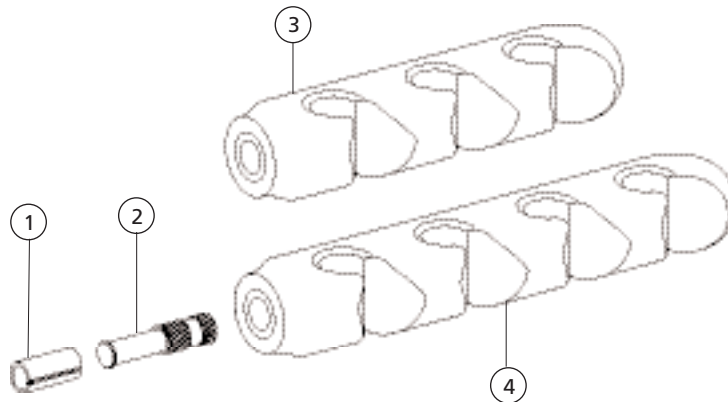
REF. NO.	DESCRIPTION	PART NO.
1	Scr, 1/4-20 x 1/2, Btn Hd Soc	001-130-01
2	Washer, Spring, Stl .25 ID	004-162-00
3	Washer, Thrust, .250 ID	016-053-00
4	Bearing, Thrust Needle, .250 ID	016-054-00
5	Washer, Flat Nylatron, .250 ID	004-117-00
6	Adapter, Asst Holder, Rear Del	12-1156-00
7	Setscrew, Soc Cup Pt, 10-32 x 5-16	007-004-00
8	Assistant's Holder Assy, 3 Pos	61-2250-00
9	Holder Bar Assy, 4 Pos, IC	61-1534-00

## Cascade Cuspidor Mount Assistant's Holders 12-1127-00 and 12-0972-00



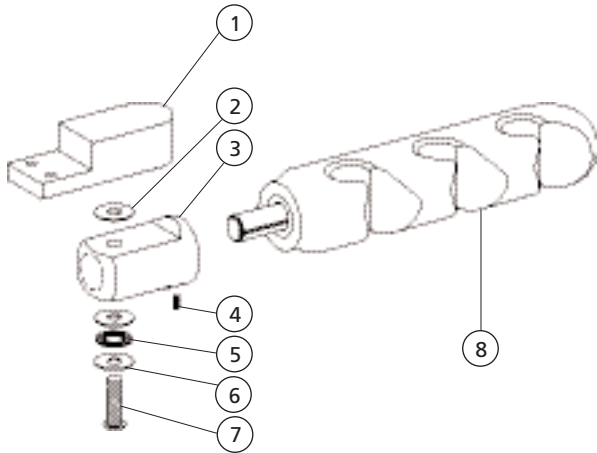
REF. NO.	DESCRIPTION	PART NO.
1	Scr, 1/4-20 x 1 1/2, Btn Hd Soc	001-112-02
2	Washer, Spring, Stl .25 ID	004-162-00
3	Washer, Thrust, .250 ID	016-053-00
4	Bearing, Thrust Needle, .250 ID	016-054-00
5	Setscrew, Soc Cup Pt, 10-32 x 5/16	007-004-00
6	Holder Adapter, Cuspidor	12-0968-00
7	Washer, Flat, Nylon, .252 ID	004-139-00
8	Mount, Asst. Holder, Cuspidor	12-0967-00
9	Assistant's Holder Assy, 3 Pos	61-2250-00
10	Holder Bar Assy, 4 Pos, IC	61-1534-00

## Assistant's Holder Assemblies 61-2250-00 3 Position and 61-1534-00 4 Position



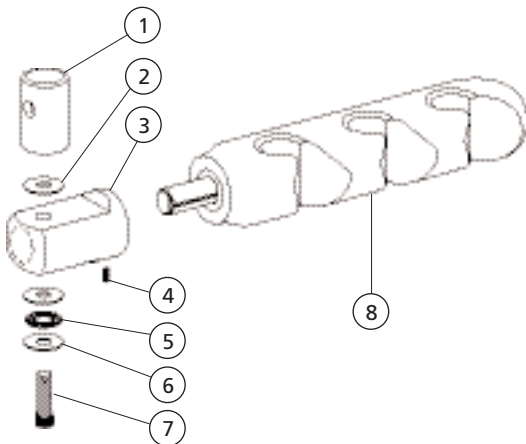
REF. NO.	DESCRIPTION	PART NO.
1	Bearing sleeve, Holder Bar	61-0985-00
2	Holder Bar, Artc IC 1.75 Long	12-0843-00
3	Holder, Molded, 3 Pos, Surf 4	12-0942-00
4	Holder, Molded, 4 Pos, Surf 4	12-0855-00

## Cart Pac Assistant's Holder 40-1049-01



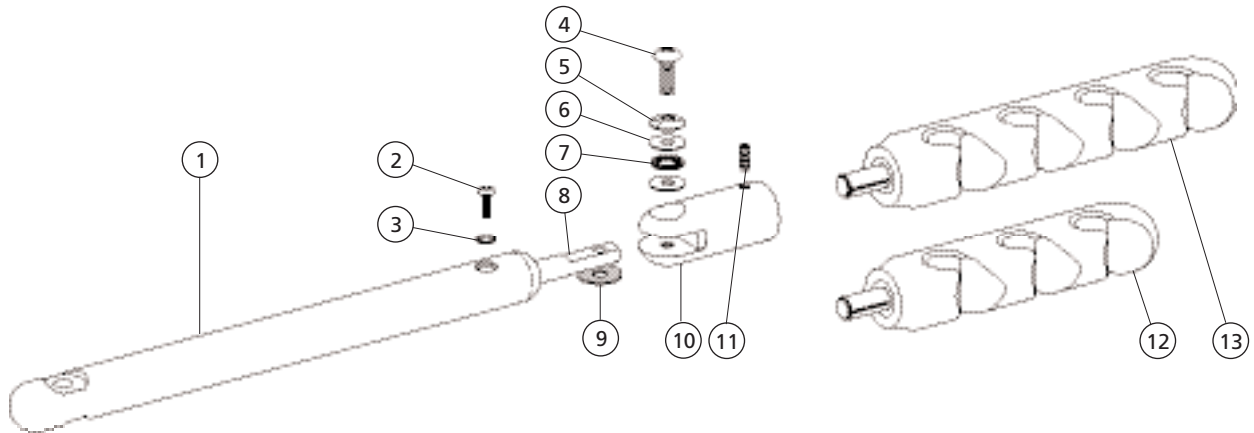
REF. NO.	DESCRIPTION	PART NO.
1	Mtg Brkt, Hldr Bar, Surf 4	40-1046-01
2	Washer, Flat, Nylon, .252 ID	004-139-00
3	Adapter, IC Asst Holder, Surf 4	12-0848-01
4	Setscrew, Soc Cup Pt, 10-32 x 5/16	007-004-00
5	Bearing, Thrust Needle, .250 ID	016-054-00
6	Washer, Thrust .250 ID	016-053-00
7	Screw, Btn Hd Soc, 1/4-20 x 1	005-109-00
8	Assistant's Holder Assy, 3 Pos	61-2250-00

## Articulating Assistant's Holder 42-0607-00 Obsolete



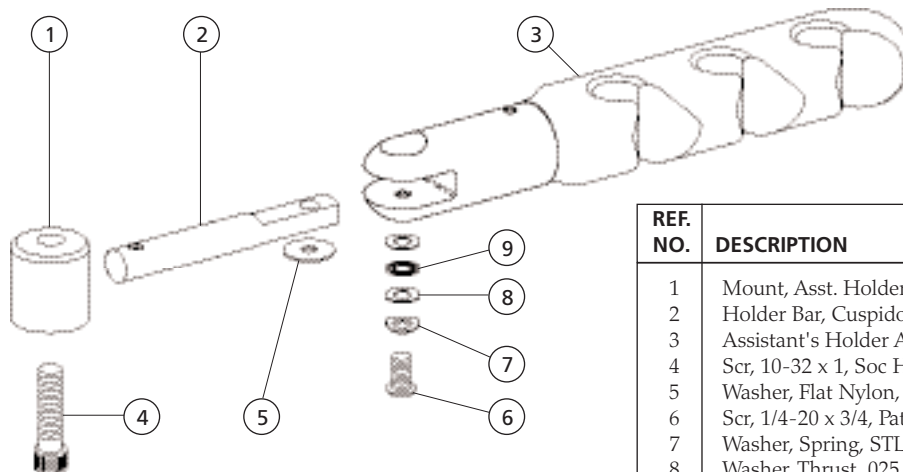
REF. NO.	DESCRIPTION	PART NO.
1	Mounting Rod, Asst Arm	40-1037-00
2	Washer, Flat, Nylon, .252 ID	004-139-00
3	Adapter, IC Asst Holder, Surf	12-0848-00
4	Setscrew, Soc Cup Pt, 10-32 x 5/16	007-004-00
5	Bearing, Thrust Needle, .250 ID	016-054-00
6	Washer, Thrust .250 ID	016-053-00
7	Screw, Btn Hd Soc, 1/4-20 x 1	005-109-00
8	Assistant's Holder Assy, 3 Pos	61-2250-00

## Assistant's Arm for Cascade Cart 17-1032-XX



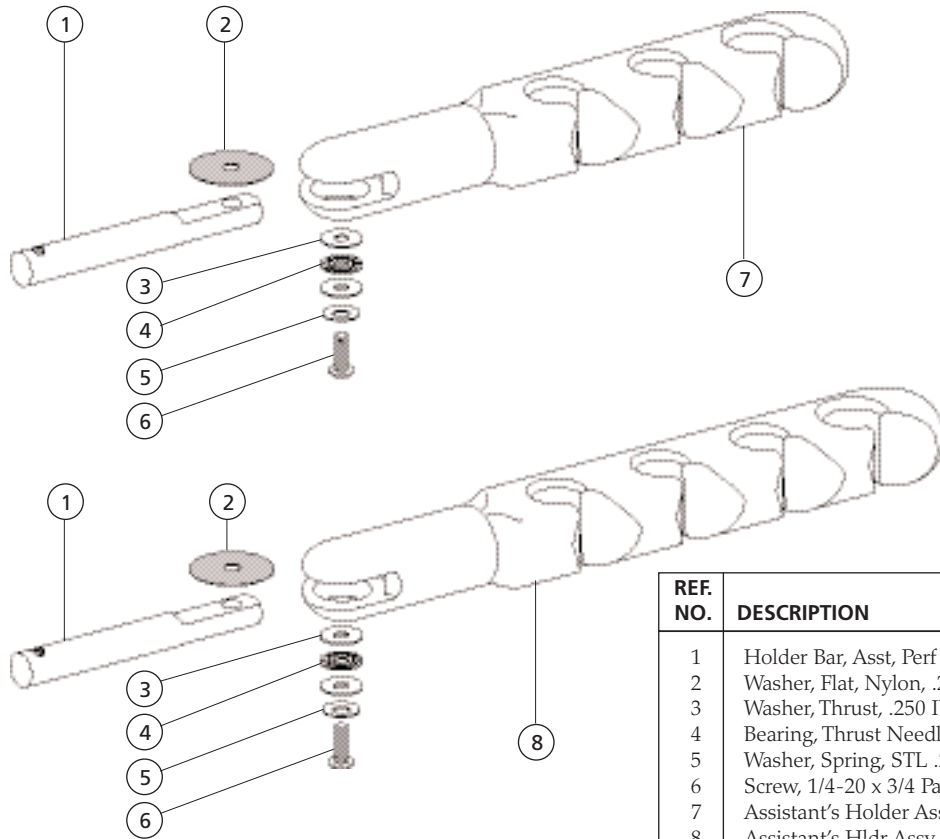
REF. NO.	DESCRIPTION	PART NO.
1	Asst. Arm, Fixed, 12-7/8 Lg	17-1006-00
2	Scr, 10-32 x 1/2, Btn Hd Soc	005-110-00
3	Wshr, Lock, Stl, Pl, Int Tooth #10	004-040-00
4	Scr, 1/4-20 x 3/4, Patch Btn Hd	005-026-00
5	Washer, Spring, Stl .25 ID	004-162-00
6	Washer, Thrust .250 ID	016-053-00
7	Bearing, Thrust Needle, .250 ID	016-054-00
8	Holder Bar, Asst. Arm	17-1015-00
9	Washer, Flat, Nylon, .252 ID	004-139-00
10	Adapter, Asst Holder, Cascade	12-0941-00
11	Setscrew, Soc Cup Pt, 10-32 x 5/16	007-004-00
12	Assistant's Holder Assy, 3 Pos	61-2250-00
-	Asst Holder Assy, (includes 10, 11 and 12)	12-0938-00
13	Holder Bar Assy, 4 Pos, IC	61-1534-00
-	Asst Hldr Assy 4 Pos (includes 10, 11 and 13)	12-1128-00

## Cuspidor Assistant's Holder 12-0903-00



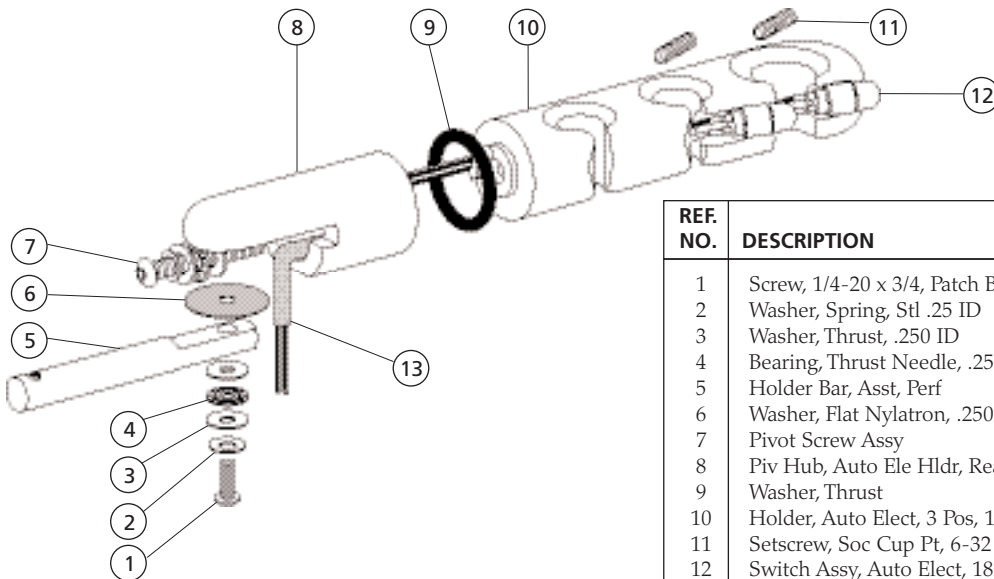
REF. NO.	DESCRIPTION	PART NO.
1	Mount, Asst. Holder Cuspidor	12-0939-00
2	Holder Bar, Cuspidor Mount	12-0940-00
3	Assistant's Holder Assy	12-0938-00
4	Scr, 10-32 x 1, Soc Hd	002-125-00
5	Washer, Flat Nylon, .252 ID	004-139-00
6	Scr, 1/4-20 x 3/4, Patch Btn Hd	005-026-00
7	Washer, Spring, STL .25 ID	004-162-00
8	Washer, Thrust .025 ID	016-053-00
9	Bearing, Thrust Needle, .250 ID	016-054-00

## Performer Holder Bars 3 Position 12-1210-00 and 4 Position 12-1207-00



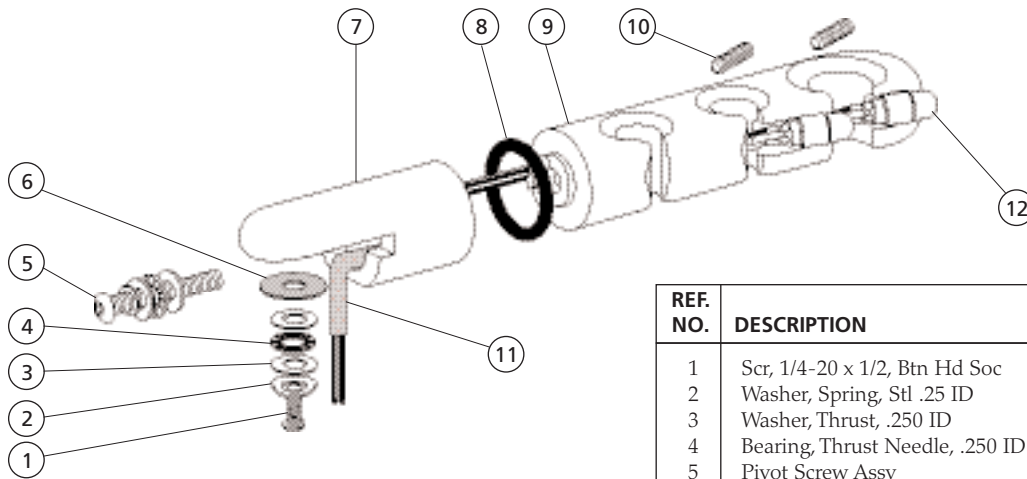
REF. NO.	DESCRIPTION	PART NO.
1	Holder Bar, Asst, Perf	17-1313-00
2	Washer, Flat, Nylon, .252 ID	004-139-00
3	Washer, Thrust, .250 ID	016-053-00
4	Bearing, Thrust Needle, .250 ID	016-054-00
5	Washer, Spring, STL .25 ID	004-162-00
6	Screw, 1/4-20 x 3/4 Patch Btn Hd	005-026-00
7	Assistant's Holder Assembly	12-0938-00
8	Assistant's Hldr Assy 4 Pos	12-1128-00

## Performer Auto Electric Holder Bar 12-1213-00



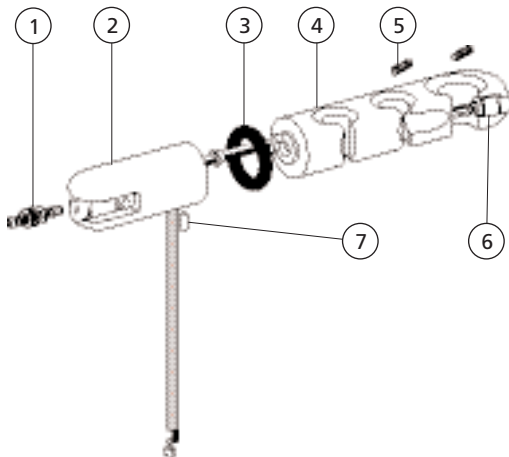
REF. NO.	DESCRIPTION	PART NO.
1	Screw, 1/4-20 x 3/4, Patch Btn Hd	005-026-00
2	Washer, Spring, Stl .25 ID	004-162-00
3	Washer, Thrust, .250 ID	016-053-00
4	Bearing, Thrust Needle, .250 ID	016-054-00
5	Holder Bar, Asst, Perf	17-1313-00
6	Washer, Flat Nylatron, .250 ID	004-117-00
7	Pivot Screw Assy	12-0831-00
8	Piv Hub, Auto Ele Hldr, Rear Asst	12-1169-00
9	Washer, Thrust	12-0829-00
10	Holder, Auto Elect, 3 Pos, 15MM	12-1117-00
11	Setscrew, Soc Cup Pt, 6-32 x 5/16	007-021-00
12	Switch Assy, Auto Elect, 180"	12-1174-00
13	Tbg, 3/8 OD Vinyl, D-Surf	024-143-00

## Auto Electric Assistant's Holder for Rear Delivery 12-1168-00 and 12-1178-00



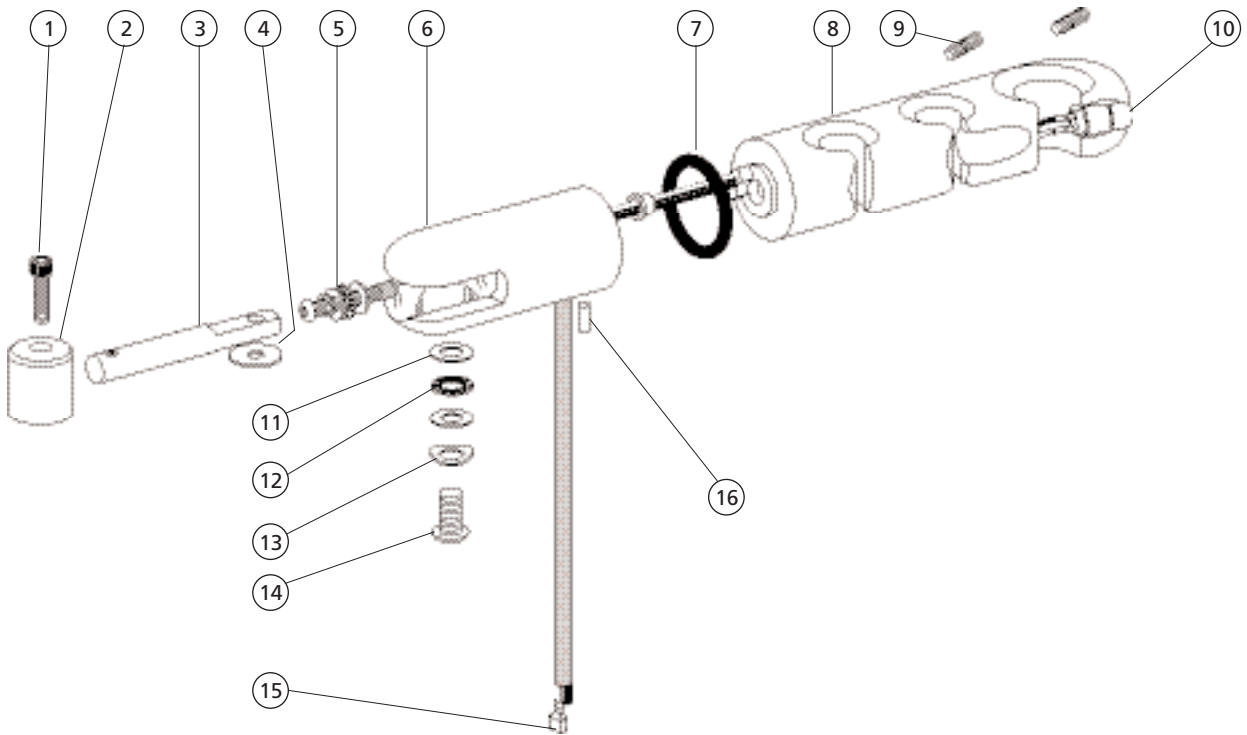
REF. NO.	DESCRIPTION	PART NO.
1	Scr, 1/4-20 x 1/2, Btn Hd Soc	001-130-01
2	Washer, Spring, Stl .25 ID	004-162-00
3	Washer, Thrust, .250 ID	016-053-00
4	Bearing, Thrust Needle, .250 ID	016-054-00
5	Pivot Screw Assy	12-0831-00
6	Washer, Flat Nylatron, .250 ID	004-117-00
7	Piv Hub, Auto Ele Hldr, Rear Asst	12-1169-00
8	Washer, Thrust	12-0829-00
9	Holder, Auto Elect, 3 Pos, 15MM	12-1117-00
10	Setscrew, Soc Cup Pt, 6-32 x 5/16	007-021-00
11	Tbg, 3/8 OD Vinyl, D-Surf	024-143-00
12	Switch Assy, Auto Elect, 180"	12-1174-00

## Electric Assistant's Holder 12-1122-00 and 47-2062-00



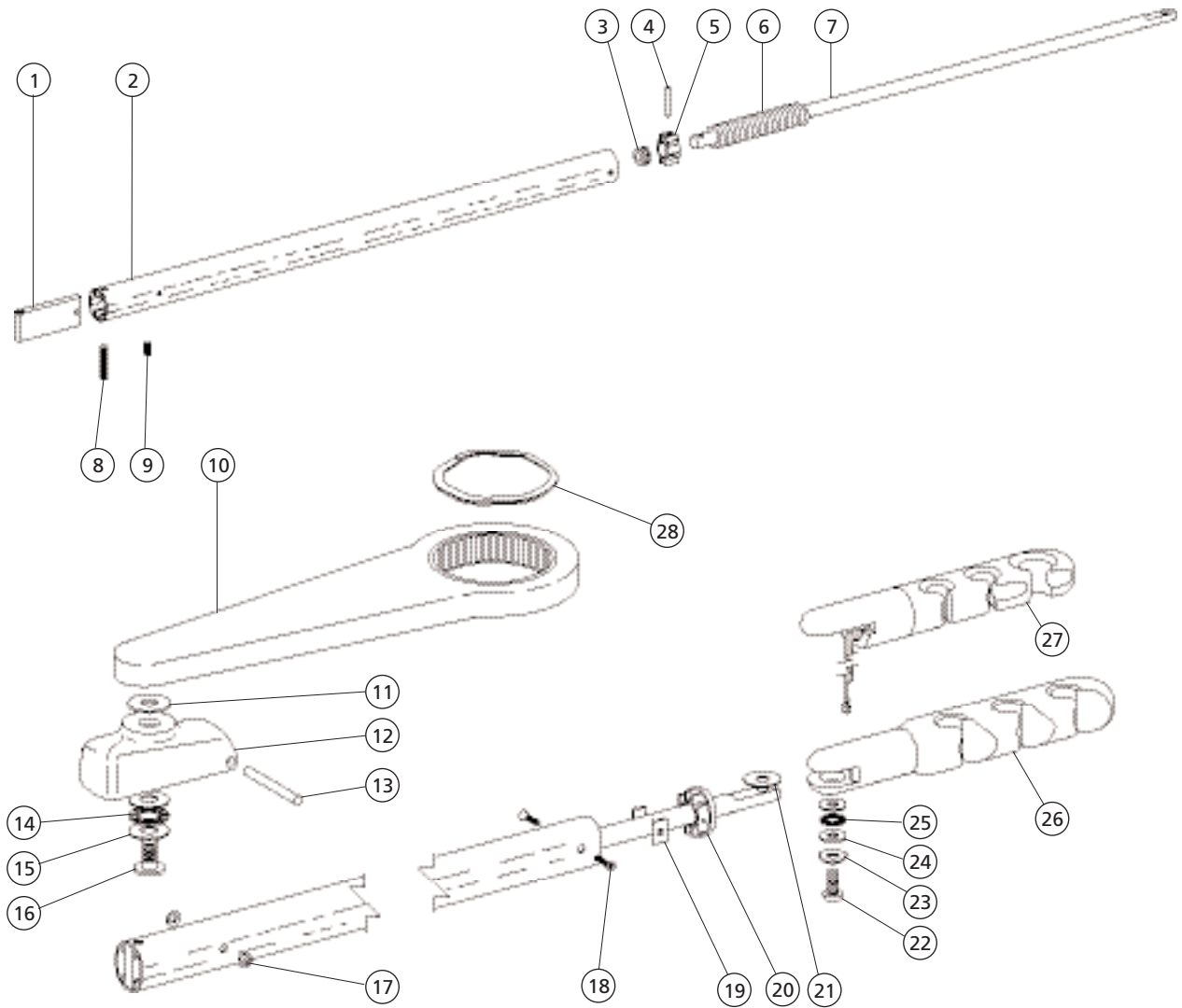
REF. NO.	DESCRIPTION	PART NO.
1	Pivot Screw Assy	12-0831-00
2	Pivot Hub, Auto/Elect Holder	47-2061-00
3	Washer, Thrust	12-0829-00
4	Holder, Auto Elect, 3 Pos, IC	12-0823-00
-	Holder, Auto Elect, 3 Pos, 15 MM	12-1117-00
5	Setscrew, Soc Cup Pt, 6/32 x 5/16	007-021-00
6	Switch Assy, Auto Elect, 80"	12-0835-03
7	Pin, Spring, .125 Dia x .50	011-084-00

## Assistant's Holder Assembly, Cuspidor Mount Auto Electric 47-1370-00 11mm and 47-1370-01 15mm



REF. NO.	DESCRIPTION	PART NO.
1	Screw, Soc Hd, Patch, 1/4-20 x 1	002-120-00
2	Mount, Asst Hold, Auto/Elect, Cusp	12-0970-00
3	Holder Bar, Auto /Elect, Cusp	12-0971-00
4	Washer, Flat, Nylon, .252 ID	004-139-00
5	Pivot Screw Assy	12-0831-00
6	Pivot Hub, Auto/Elect Hldr	47-2061-00
7	Washer, Thrust	12-0829-00
8	Holder, Auto Elect, 3 Pos, IC	12-0823-00
-	Holder, Auto Elect, 3 Pos, 15MM	12-1117-00
9	Setscrew, Soc Cup Pt, 6-32 x 5/16	007-021-00
10	Switch Assy, Auto Elect, 80"	12-0835-03
11	Washer, Thrust .250 ID	016-053-00
12	Bearing, Thrust Needle, .250 ID	016-054-00
13	Washer, Spring, Stl .25 ID	004-162-00
14	Scr, 1/4-20 x 3/4, Patch Btn Hd	005-026-00
15	Term, QC+FM, ST, 020 x 187, 22-18	041-201-00
16	Pin, Spring, .125 Dia x .50	011-084-00

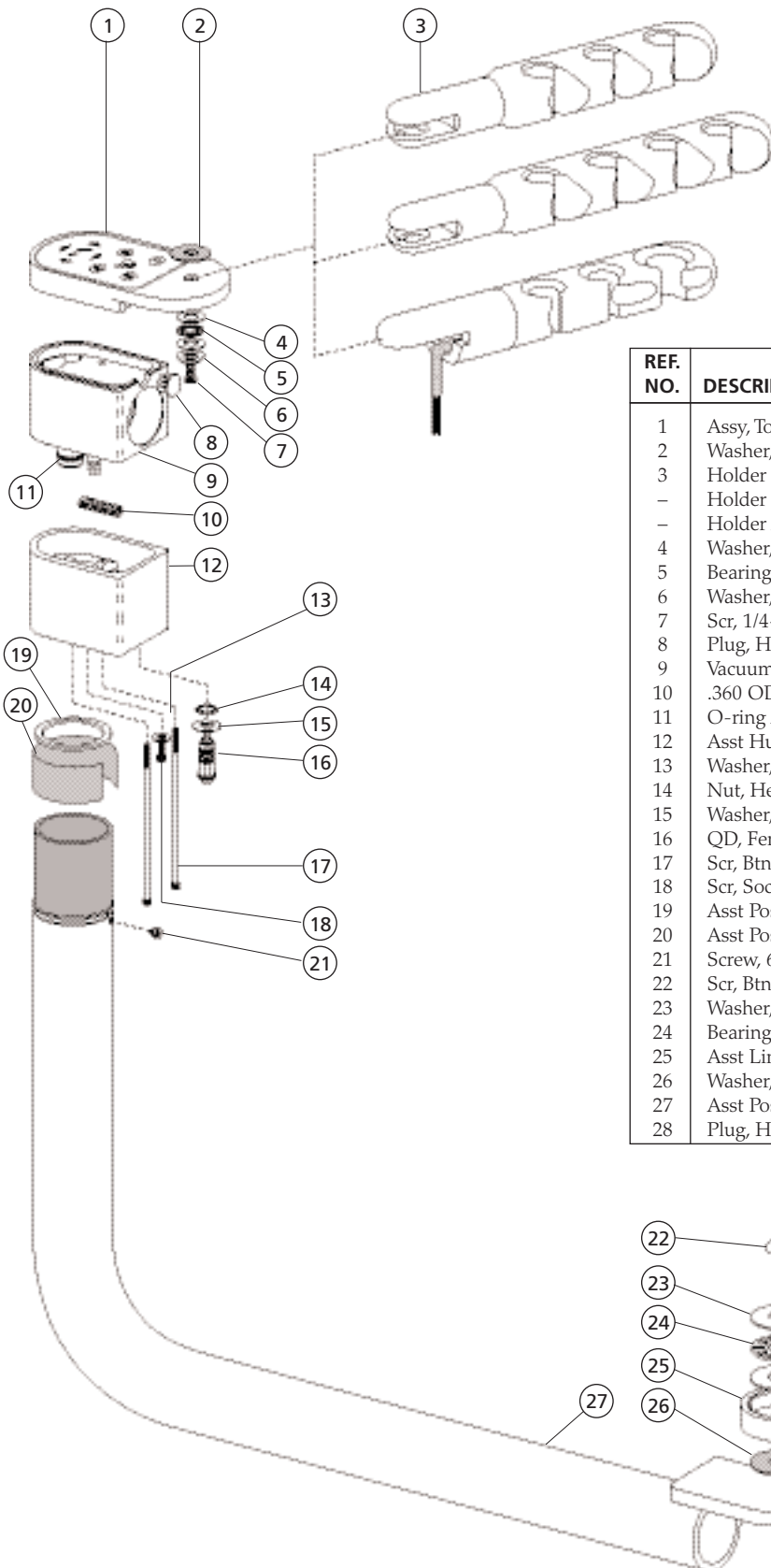
## Cascade Assistant's Arm 12-0902-00 and 47-1307-00



REF. NO.	DESCRIPTION	PART NO.	PAGE
1	Support, Pin	12-0947-00	
2	Housing Asst. Arm	12-0945-00	
3	Grommet, 1/4 ID x .38 Groove	018-005-00	
4	Pin Dowel, .187 Dia x 1.00 LG	011-099-00	
5	Slide, Asst Arm	75-0018-00	
6	Tbg, Conv, Surf 4, 5/8 ID	024-152-01	
7	Rod, Asst Arm	12-0946-00	
8	Setscrew, 1/4-20 x 1 1/4, Soc Cup Pt	007-049-00	
9	Setscrew, 1/4-20 x 1/2, Soc Cup Pt	007-025-00	
10	Mounting Arm, Asst, Assy	12-0949-00	
11	Washer, Flat, Delrin, .520 ID	12-0955-00	
12	Bracket, Asst. Arm	12-0950-00	
13	Pin, Pivot, Asst. Arm	12-0948-00	
14	Bearing, Thrust Needle, .500 ID	016-033-00	
15	Washer, Thrust, Bearing, .500 ID	004-136-00	
16	Screw, Special 1/2-20 x .950	35-0153-00	

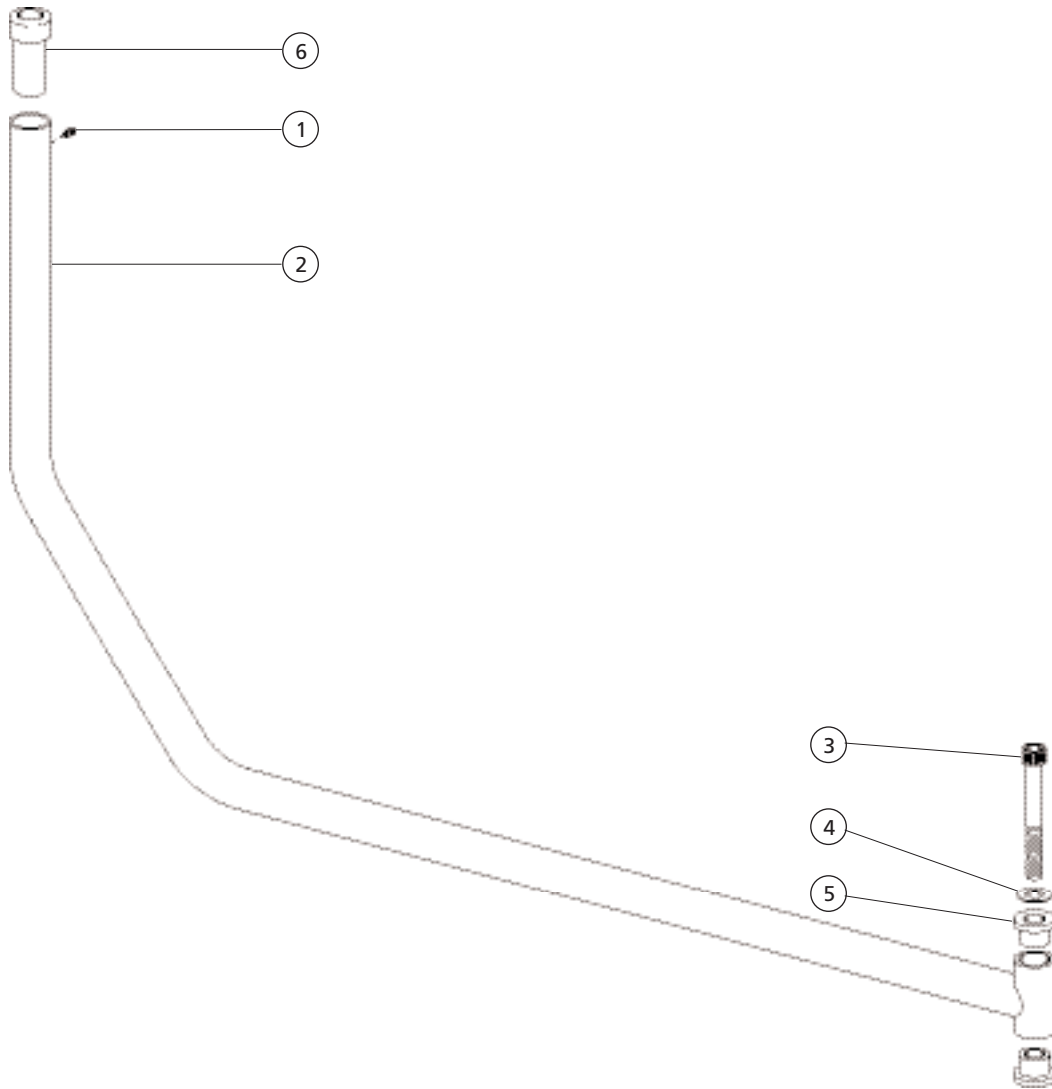
REF. NO.	DESCRIPTION	PART NO.	PAGE
17	Washer, Flat, Nylon, .255 ID	004-055-00	
18	Scr, 6-32 x .340, Fl Hd Soc	001-198-00	
19	Nut, Retainer, 6-32	006-040-00	
20	End Cap, Asst. Arm, Surf 4	75-0019-00	
21	Washer, Flat Nylon, .252 ID	004-139-00	
22	Scr, 1/4-20 x 3/4, Patch Btn Hd	005-026-00	
23	Washer, Spring, Stl, .25 ID	004-162-00	
24	Washer, Thrust, .250 ID	016-053-00	
25	Bearing, Thrust Needle, .250 ID	016-054-00	
26	Assistant's Holder Assembly	12-0938-00	112
-	Asst Hldr Assy 4 Pos	12-1128-00	112
27	Hldr Assy, Rear Del Asst 15 MM	12-1168-00	117
-	Hldr Assy, Rear Del Cusp 15 MM	12-1178-00	117
-	Holder, Assy, Elec, 15 MM, 3 PL, 61"	12-1122-01	117
28	Retaining Ring w/Bag	010-059-01	

# 7115 Radius Assistant's Arm



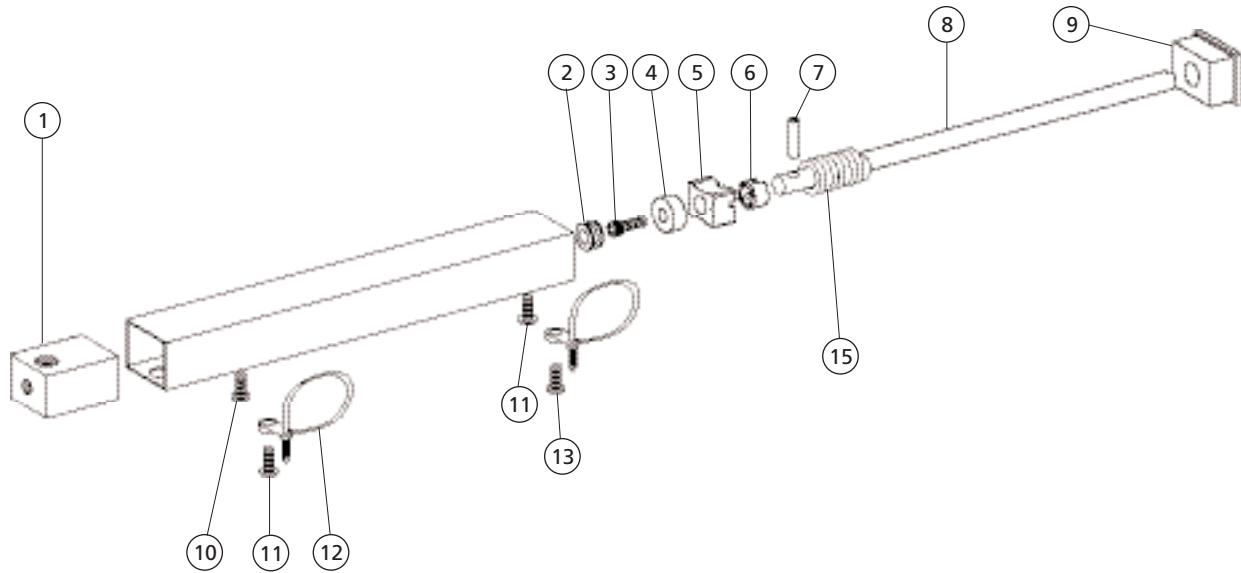
REF. NO.	DESCRIPTION	PART NO.	PAGE
1	Assy, Touchpad Asst Vac Cap	12-1166-00	
2	Washer, flat, Nylatron, .250 ID	004-117-00	
3	Holder Bar Assy, Rear Del Asst 3P	12-1160-00	112
-	Holder Bar Assy, Rear Del Asst, 4P	12-1167-00	112
-	Holder Assy, Rear Del Asst, 15MM	12-1168-00	117
4	Washer, Thrust .250 ID	016-053-00	
5	Bearing, Thrust Needle, .250 ID	016-054-00	
6	Washer, Spring, Stl .25 ID	004-162-00	
7	Scr, 1/4-20 x 1/2, Btn Hd Soc	001-130-01	
8	Plug, Hole 1-1/4 Dia, Surf 4	018-010-02	
9	Vacuum Can Weldment	12-1149-00	
10	.360 OD x 2.00 IN Comp, Spring	013-065-00	
11	O-ring AS568-017 .676ID x .070W	030-017-00	
12	Asst Hub Rear Mt	12-1153-00	
13	Washer, Flat, Stl Pl, .156 ID	004-012-00	
14	Nut, Hex, 15/32-32 x 9/16 x 3/32	006-009-00	
15	Washer, Flat, St Stl, .500 ID	004-132-00	
16	QD, Female, Hydroc	026-131-00	
17	Scr, Btn Hd, 6-32 x 4 1/4, SST	002-146-00	
18	Scr, Soc Hd, 6-32 x 3/8, SST	001-033-00	
19	Asst Post Thrust Bearing	12-1157-00	
20	Asst Post Bearing Rear Mount	12-1155-00	
21	Screw, 6-32 x 1/8, Soc Hd, SST	001-233-00	
22	Scr, Btn Hd Soc 1/2-13UNC x 1ZNC	002-142-00	
23	Washer, Thrust, Bearing, .500 ID	004-136-00	
24	Bearing, Thrust Needle, .500 ID	016-033-00	
25	Asst Link Arm Rear Mt	75-1023-00	
26	Washer, Flat Nylatron, .525 ID	004-034-00	
27	Asst Post Weldment Rear Mount	75-1020-00	
28	Plug, Hole 1-1/4 Dia, Surf 4	018-010-02	

## Performer III Extended Assistant's Arm 76-5016-00



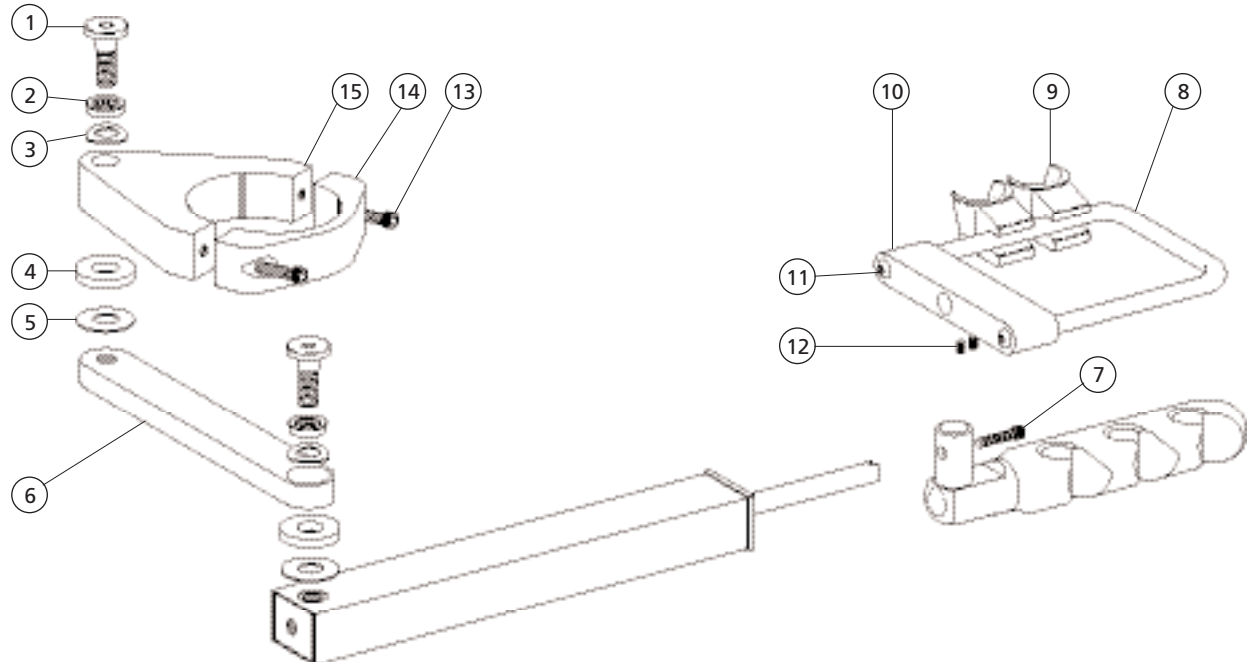
REF. NO.	DESCRIPTION	PART NO.
1	Setscrew, Soc Nyl Pt, 10-32 x 1/4	007-043-00
2	Weldment, Tube, Asst Arm	76-5019-00
3	Screw, 3/8-16 x 3 1/4, Soc Hd	002-104-00
4	Washer, Flat, SST .380 ID	004-189-00
5	Bearing, Flanged, .505 ID x .625 LG	016-122-00
6	Bearing, Pivot, Asst Arm Perf 3	76-5020-00

## Telescoping Arm Assembly 55-2666-XX and 42-0608-00 Obsolete



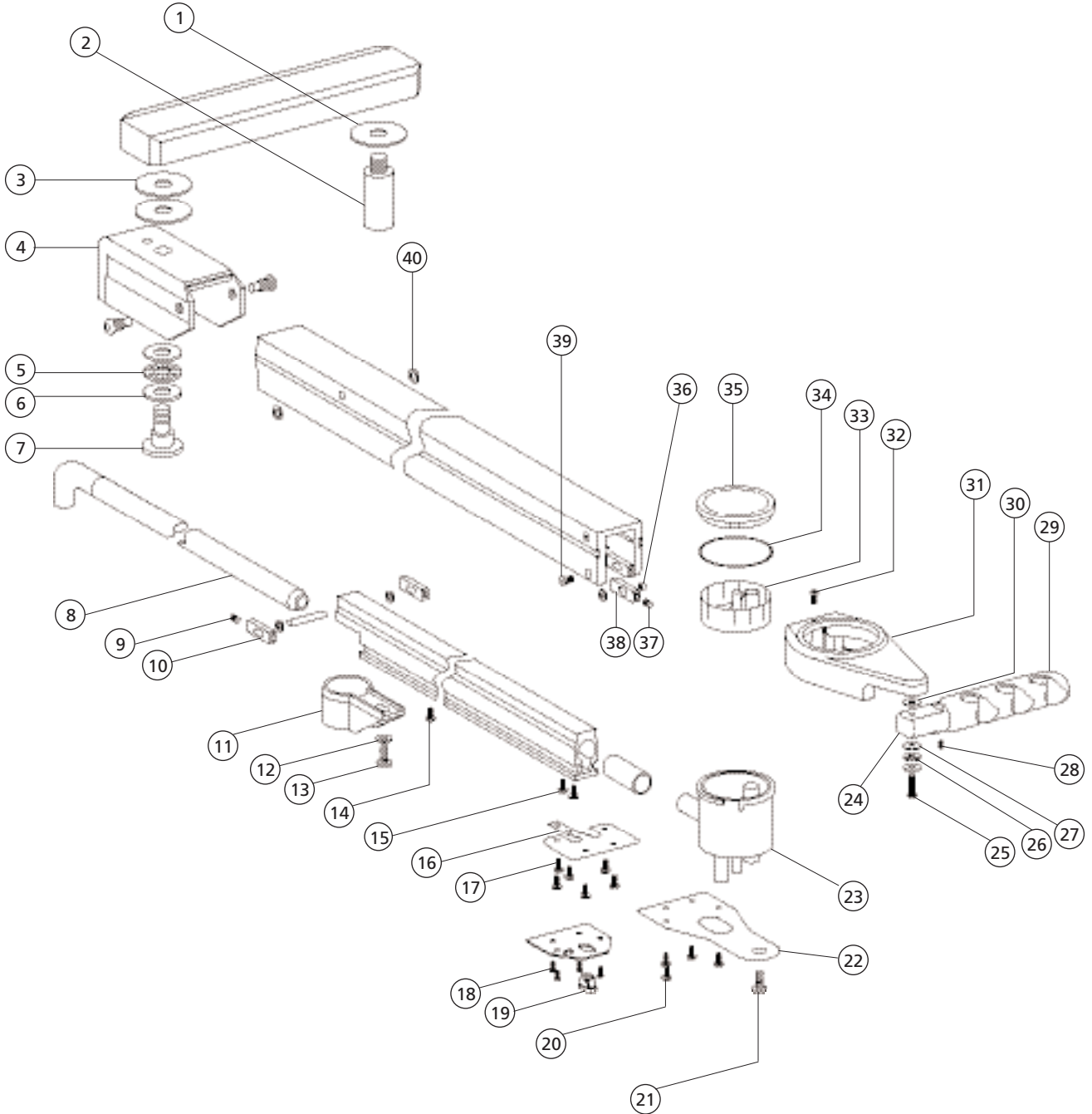
REF. NO.	DESCRIPTION	PART NO.
1	Block, Mounting, New/Gray	42-0590-01
2	Grommet, 1/4 ID x .38 Groove	018-005-00
3	Scr, 1/4-28 x 3/4, Soc Hd	001-105-00
4	Washer, Slide	42-0592-00
5	Slide, Arm	42-0595-00
6	Collar, Slide, Blk, PA 66	42-0593-00
7	Pin, Spring, .187 Dia x .875	011-051-00
8	Rod, Slide, Tele, Artcl Arm 12.3"	55-2667-00
-	Rod, Slide, Tele, Art Arm, 20.8"	40-0009-01
9	Bushing, Arm, Newport Gray	42-0594-01
10	Scr, Btn Hd Soc, 6-32 x 1/8, SST	002-105-00
11	Screw, Btn Hd Soc, 6-32 x 3/8, SST	001-167-00
12	Cable Tie, w/Screw Mount	025-093-00
13	Screw, Btn Hd Soc, 6-32 x 5/8, SST	001-140-00
14	Tbg, Conv, Surf 4, 5/8 ID	024-152-00

## Telescoping Assistant's Arm 42-0597-01 and 42-0611-00 (triple articulating) Obsolete



REF. NO.	DESCRIPTION	PART NO.
1	Screw, Special 1/2-20 x 1.25	35-0089-00
2	Bearing, Unground, Thrust	016-005-00
3	Washer, Spring, STL, .500 ID	004-022-00
4	Washer, Flat Delrin, 33/64 ID	35-0017-00
5	Washer, Flat Nylatron, .525 ID	004-034-00
6	Folding Arm No. 2, 9", Surf	37-0141-00
7	Scr, 1/4-28 x 3/4 Soc Hd	001-105-00
8	Holder Bar, U-Shape, Assist	35-0468-01
9	Hldr Assy, Asst-Gray	99-0528-01
10	Bar, Cross, Crm Pnt	42-0591-01
11	Scr, 10-32 x 1/2, Btn Hd Soc	005-110-00
12	Setscrew, Soc Cup Pt, 10-32 x 3/16	007-003-00
13	Scr, 10-32 x 3/4, Soc Hd	002-073-00
14	Cap, Bracket, Mounting Surf	40-1021-00
15	Mounting Bracket, Surf	42-0600-01

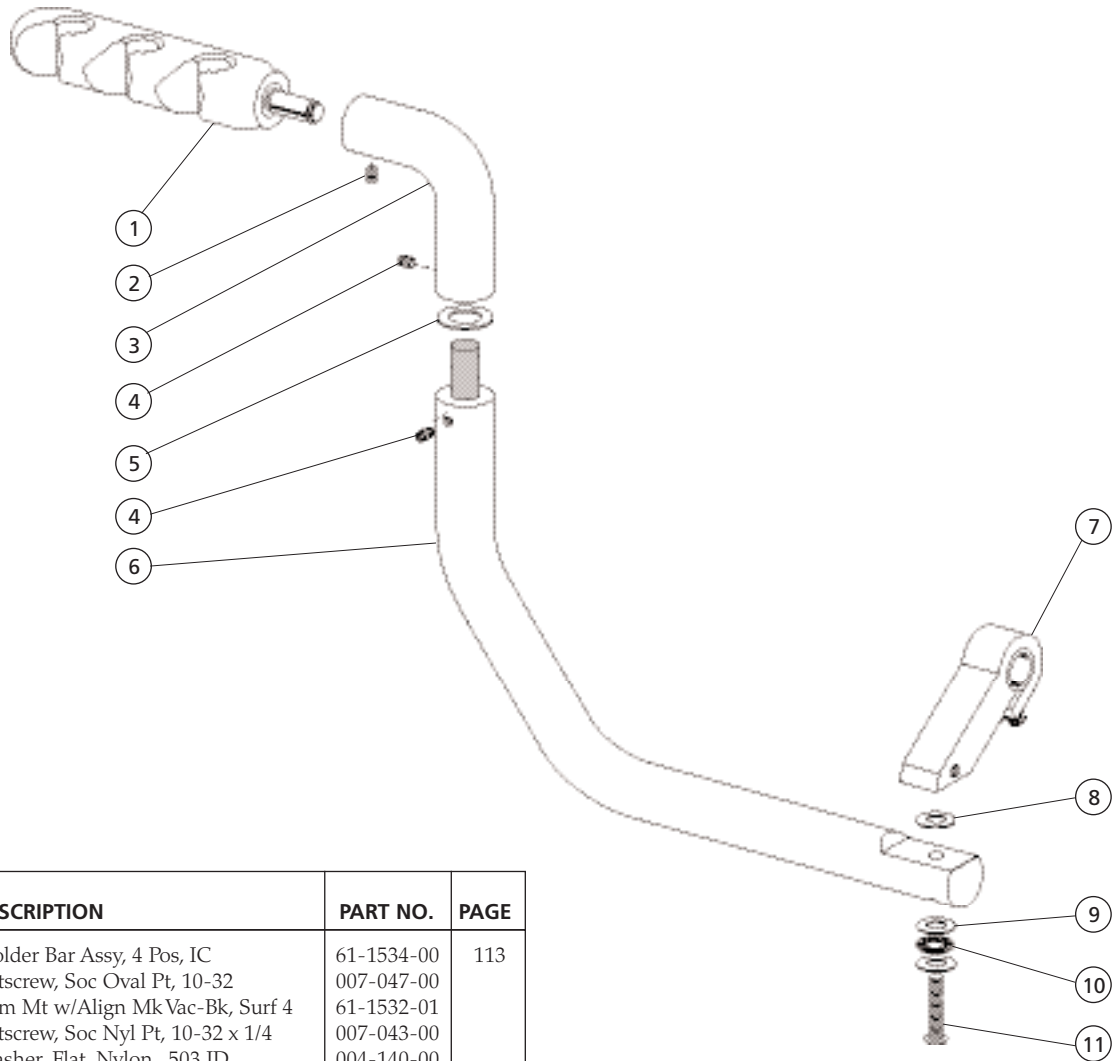
# Excellence Assistant's Arm 12-0722-XX Obsolete



**Excellence Assistant's Arm  
12-0722-XX Obsolete**

REF. NO.	DESCRIPTION	PART NO.
1	Washer, Flat, Nylatron, .515 ID	004-128-00
2	Mounting Pin 1/2-20, .875 OD x 2.61	12-0699-00
3	Washer, Flat, Nylatron, .515 ID	004-128-00
4	Bracket, Break Away, Assistants Arm, Excellence, Surf	12-0706-01
5	Bearing, Thrust Needle, .500 ID	016-033-00
6	Washer, Thrust, Bearing, .500 ID	004-136-00
7	Screw, Special, 1/2-20 x .950 CRM	35-0153-00
8	Drain Tube, Vacuum, Assist. Arm	12-0615-00
9	Setscrew, Soc Cup Pt, 6-32 x 5/16	007-021-00
10	Slide, Assistants Arm	12-0621-00
11	Retainer, Plastic, 1" Umbilical	12-0603-00
12	Washer, Flat, Brass, .200 ID	004-015-00
13	Screw, Btn Hd Soc, 10-32x 3/8 SST	005-012-03
14	Screw, Btn Hd Soc, 6-32x 5/8 SST	001-140-00
15	Screw, Btn Hd Soc, 6-32x 5/16 SST	001-103-00
16	Bracket, Mounting, Solids Separator	12-0608-00
17	Screw, Btn Hd Soc, 6-32x 5/16 SST	001-103-00
18	Screw, Btn Hd Soc, 6-32x 5/16 SST	001-103-00
19	Bushing Strain Relief, Blk	018-045-00
20	Screw, Btn Hd Soc, 6-32x 5/16 SST	001-103-00
21	Screw, Btn Hd Soc, 1/4-20 x 1 Zinc	005-109-00
22	Mounting Plate, Vac Canister	12-0713-00
23	Canister Sol Sep Side Out New/Gray	17-0592-01
-	Sol Sep Cstr Assy, Side Out	17-0664-00
-	Sol Sep Cstr Assy Side Out N/G	17-0664-01
24	Adapter, IC Asst Holder, Surf	12-0848-00
25	Screw, Btn Hd Soc, 1/4-20 x 1 Zinc	005-109-00
26	Bearing, Thrust Needle, .250 ID	016-054-00
27	Washer, Thrust, .250 ID	016-053-00
28	Setscrew, Soc Cup Pt, 10-32 x 5/16	007-004-00
29	Holder Bar Assy, 3 Pos, IC	61-2250-00
-	Holder Bar Assy, 3 Pos	12-0744-00
-	Holder Bar Assy, 4 Pos	12-0745-00
30	Washer, Flat, Nylon, .252 ID	004-139-00
31	Vacuum Canister Hsg, Artc, Surf	12-0712-01
32	Screw, Btn Hd Soc, 6-32 X 5/16 SST	001-103-00
33	Screen, Solids Separator, Canister	17-0593-01
34	O-ring, AS568-034	030-034-02
35	Lid, Solids Sep, Canister New/Gray	17-0594-01
-	Canister Solids Sep Side Out Surf 4	17-0594-02
36	Nut, Slide Retainer	12-0616-00
37	Setscrew, Soc Cup Pt, 6-32 x 5/16	007-021-00
38	Slide, Assistants Arm	12-0621-00
39	Screw, Fl Hd Soc, 6-32 x 3/8, Zinc 2.114 ID x .070W	001-121-01
40	Washer, Flat, Nylon, .187 ID	004-005-02

## Vac-Back Assistant's Arm for 1040 Chair 61-2229-01 Obsolete



REF. NO.	DESCRIPTION	PART NO.	PAGE
1	Holder Bar Assy, 4 Pos, IC	61-1534-00	113
2	Setscrew, Soc Oval Pt, 10-32	007-047-00	
3	Arm Mt w/Align Mk Vac-Bk, Surf 4	61-1532-01	
4	Setscrew, Soc Nyl Pt, 10-32 x 1/4	007-043-00	
5	Washer, Flat, Nylon, .503 ID	004-140-00	
6	1" Dia Arm Assy, Vac-Back, Surf 4	61-0933-02	
7	Pvt Arm Mt Assy, 1040 Vac-Back	61-2209-01	
8	Washer, Flat, Nylon, .252 ID	004-139-00	
9	Washer, Thrust .250 ID	016-053-00	
10	Bearing, Thrust Needle, .250 ID	016-054-00	
11	Screw, Btn Hd Soc, 1/4-20 x 1	005-109-00	